

US00D734062S

(12) **United States Design Patent**
Alesi et al.

(10) **Patent No.:** **US D734,062 S**
(45) **Date of Patent:** **** Jul. 14, 2015**

- (54) **FLOOR MAT RETAINING CLEAT**
- (71) Applicant: **Custom Accessories, Inc.**, Richmond, IL (US)
- (72) Inventors: **Vincent Alesi**, Kildeer, IL (US);
Anthony Ferenzi, Plainfield, IL (US)
- (73) Assignee: **CUSTOM ACCESSORIES, INC.**,
Richmond, IL (US)

D401,046 S *	11/1998	McMullin	D2/962
D406,447 S *	3/1999	Ronci	D2/962
D407,893 S *	4/1999	McMullin	D2/962
D408,122 S *	4/1999	McMullin	D2/962
D414,802 S *	10/1999	Whaley	D19/32
D415,340 S *	10/1999	McMullin	D2/962
D416,127 S *	11/1999	Silvers	D2/962
D432,770 S *	10/2000	Breault et al.	D2/962
D433,550 S *	11/2000	Collier	D32/47
D434,289 S *	11/2000	McMullin	D8/21

(Continued)

(**) Term: **14 Years**

FOREIGN PATENT DOCUMENTS

(21) Appl. No.: **29/471,519**

EP	0373724 B1	3/1993
EP	0556967 A2	8/1993

(22) Filed: **Nov. 1, 2013**

Primary Examiner — John Windmuller

(51) **LOC (10) Cl.** **06-11**

Assistant Examiner — Steven Czyz

(52) **U.S. Cl.**
USPC **D6/587**; D8/396; D2/962

(74) *Attorney, Agent, or Firm* — Patzik, Frank & Samotny Ltd.

(58) **Field of Classification Search**
USPC D8/388, 389, 394–396, 499; D6/587,
D6/582, 583; D2/962, 946; D32/47;
36/59 R, 62, 65, 67 R, 59 B, 127, 134,
36/61, 66; 15/237, 238
CPC A43C 15/161; A43C 15/14; A43C 15/063;
A43C 13/04; A43C 13/02; A43C 13/223;
A43B 5/001; A43B 5/02; A47L 23/22;
A47L 23/24

(57) **CLAIM**

The ornamental design for a floor mat retaining cleat, as shown and described.

See application file for complete search history.

DESCRIPTION

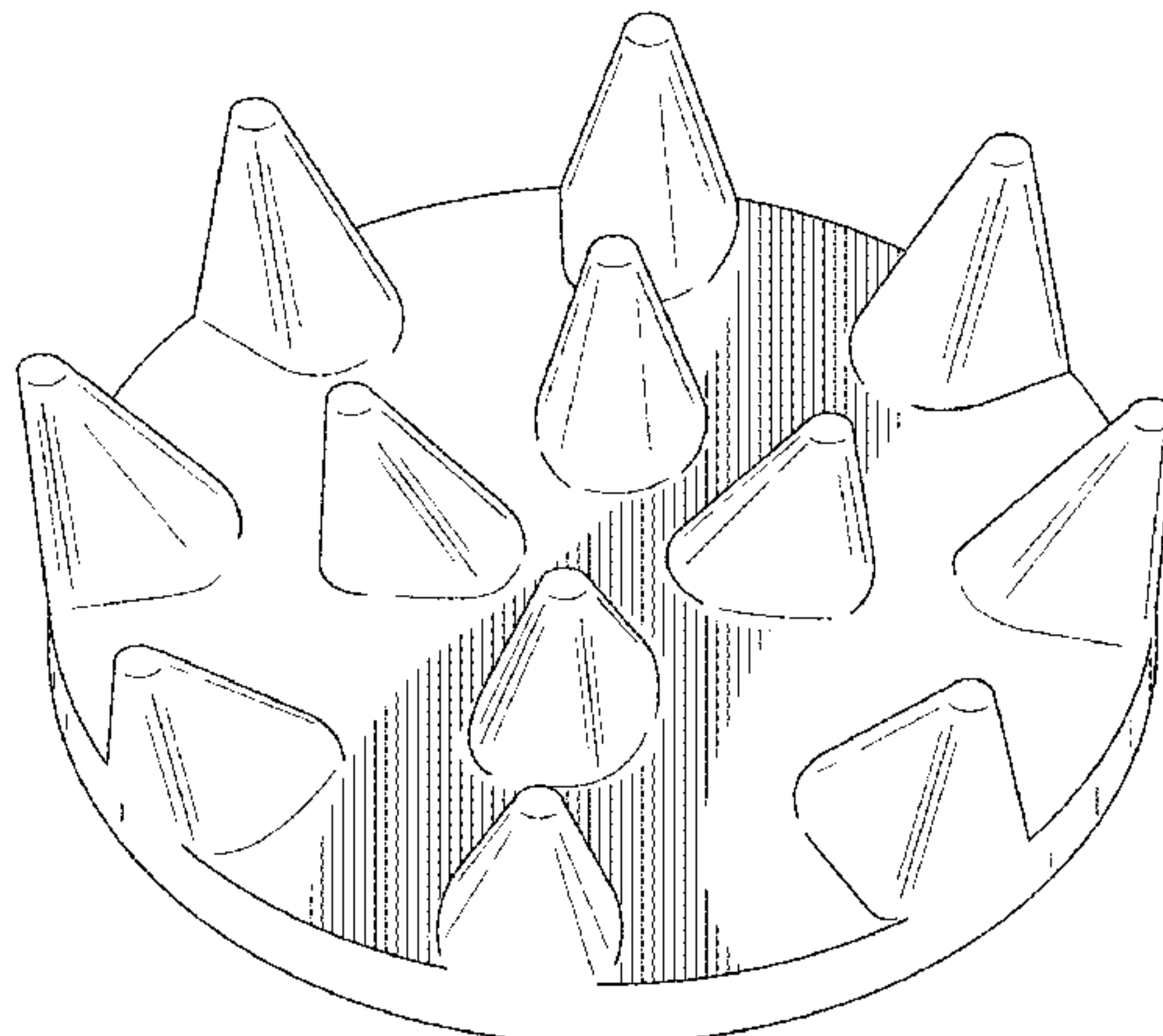
FIG. 1 is a front perspective view of the floor mat retaining cleat of the present invention;
FIG. 2 is a front elevation plan view of the floor mat retaining cleat of the present invention, the rear elevation view being a mirror image thereof;
FIG. 3 is a left side elevation view of the floor mat retaining cleat of the present invention, the right side elevation view being a mirror image thereof; and,
FIG. 4 is a top plan view of the floor mat retaining cleat of the present invention.
The bottom of the floor mat retaining cleat is plain and unadorned, and does not form part of the design.
The broken lines depict portions of the article that form no part of the claimed design.

(56) **References Cited**

U.S. PATENT DOCUMENTS

D120,764 S *	5/1940	Slater et al.	D8/389
D120,766 S *	5/1940	Slater et al.	D8/389
D120,790 S *	5/1940	Slater et al.	D8/389
3,333,805 A	8/1967	Marshall		
4,399,176 A	8/1983	Bell et al.		
D288,262 S *	2/1987	Yokoishi	D2/962
D385,988 S *	11/1997	McMullin	D2/962
D387,548 S *	12/1997	McMullin	D2/962
D389,299 S *	1/1998	McMullin	D2/962
D390,099 S *	2/1998	Bailey et al.	D8/387

1 Claim, 4 Drawing Sheets



(56)

References Cited

U.S. PATENT DOCUMENTS

D436,248 S *	1/2001	Peabody	D2/962	D515,295 S *	2/2006	McMullin	D2/962
D437,108 S *	2/2001	Peabody	D2/962	D515,794 S *	2/2006	Spencer	D2/962
D449,921 S *	11/2001	McMullin	D2/962	D517,292 S *	3/2006	McMullin	D2/962
D450,915 S *	11/2001	McMullin	D2/962	D534,061 S *	12/2006	Sakai	D8/373
D455,896 S *	4/2002	Peabody	D2/962	D552,336 S *	10/2007	Parekh et al.	D2/959
D457,294 S *	5/2002	Savoie	D2/962	D553,336 S *	10/2007	McMullin	D2/962
D458,117 S *	6/2002	Larson	D8/389	D560,891 S *	2/2008	Savoie	D2/962
6,475,593 B1 *	11/2002	Hattori et al.	428/95	D575,487 S *	8/2008	Carruthers	D2/962
D473,699 S *	4/2003	Savoie	D2/962	D589,290 S *	3/2009	Hatta et al.	D6/587
D483,253 S *	12/2003	Sayegh et al.	D8/388	8,234,799 B2 *	8/2012	Kokavec	36/134
D495,122 S *	8/2004	McMullin	D2/962	8,245,422 B2 *	8/2012	Krikorian et al.	36/134
D507,400 S *	7/2005	Robinson et al.	D2/959	8,302,332 B2 *	11/2012	Leach	36/134
D510,179 S *	10/2005	McMullin	D2/962	8,316,562 B2 *	11/2012	Locke et al.	36/67 R
					D707,929 S *	7/2014	Feeney et al.	D2/953
					D721,883 S *	2/2015	Burt et al.	D2/962

* cited by examiner

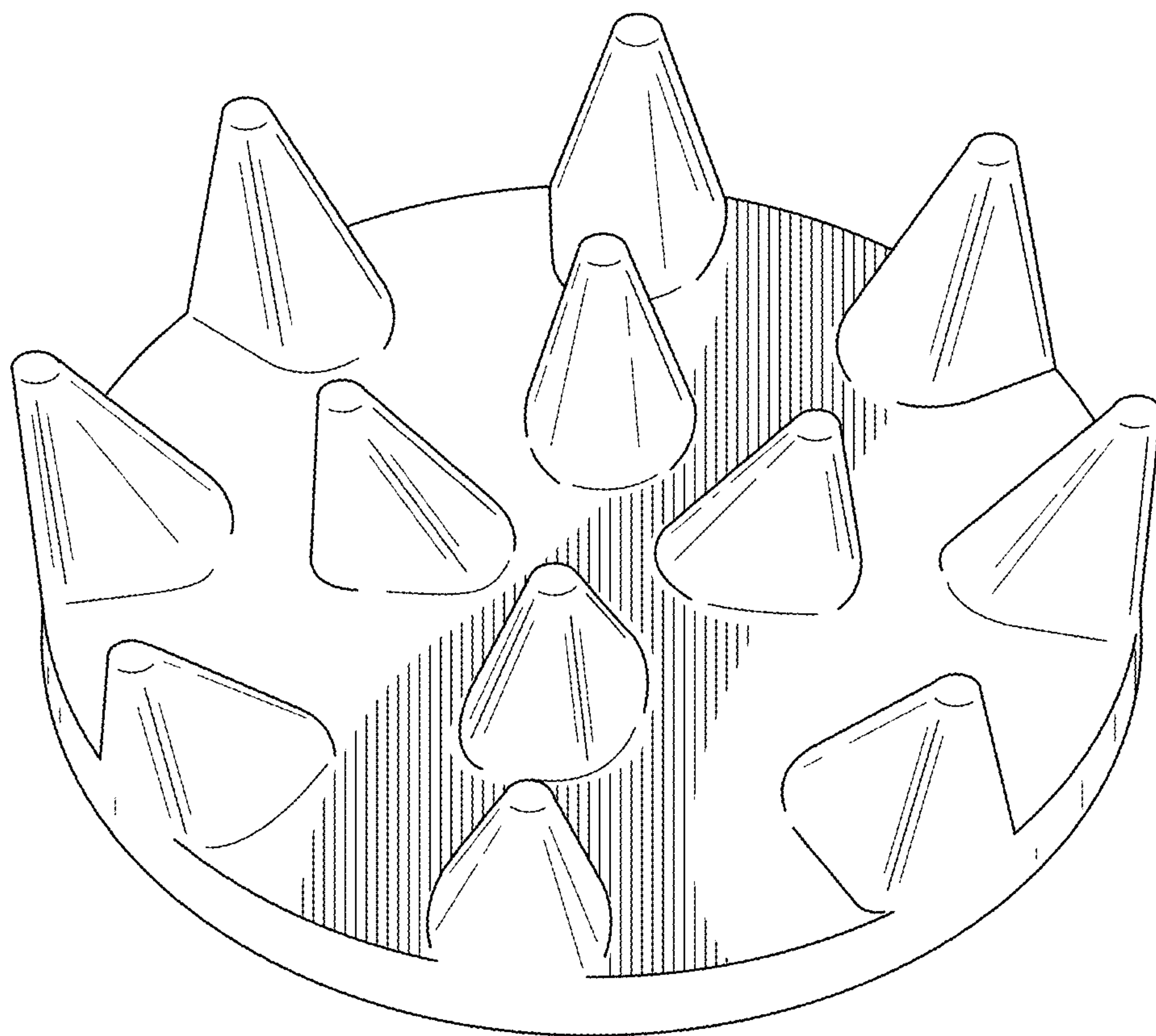


FIG. 1

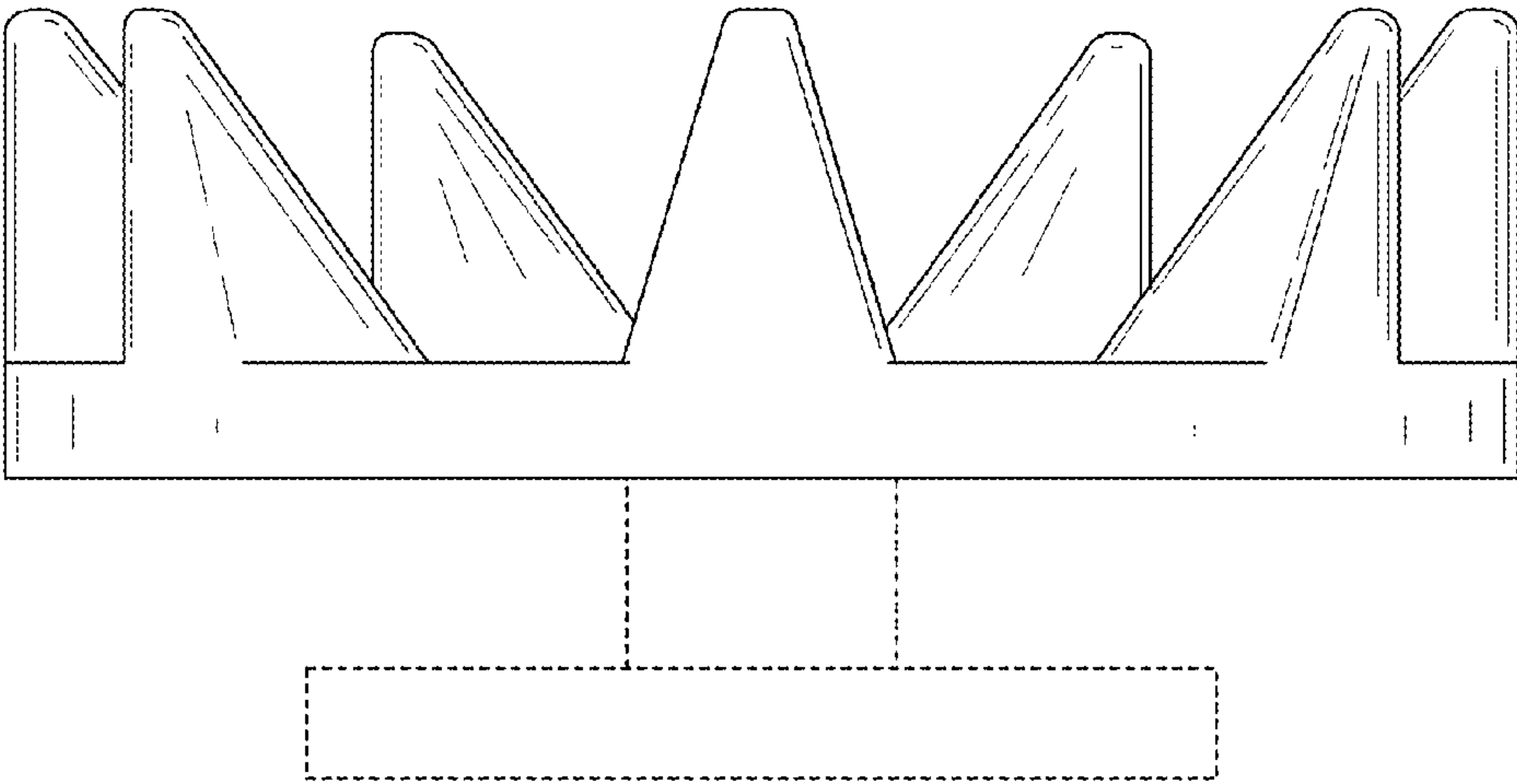


FIG. 2

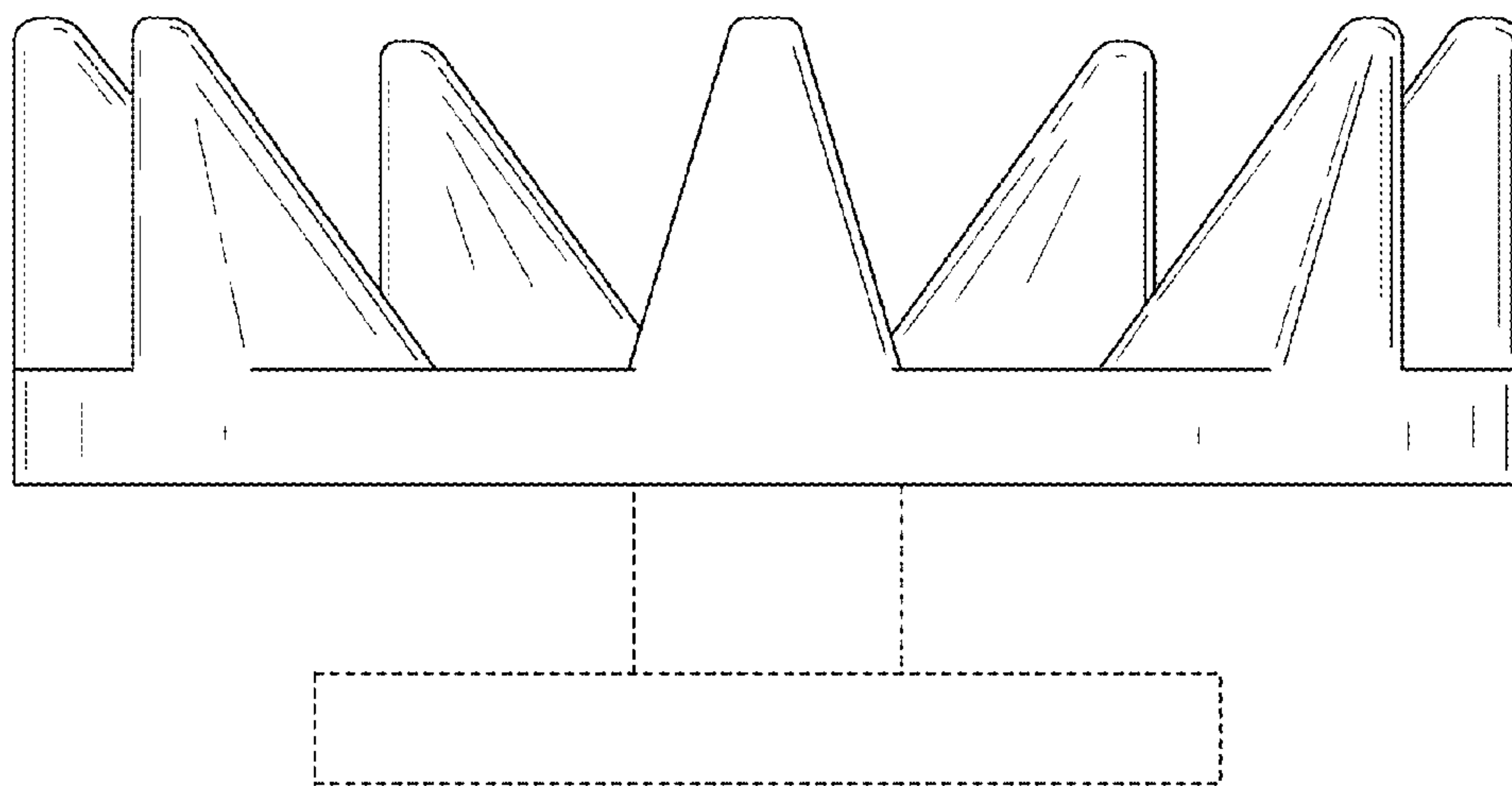


FIG. 3

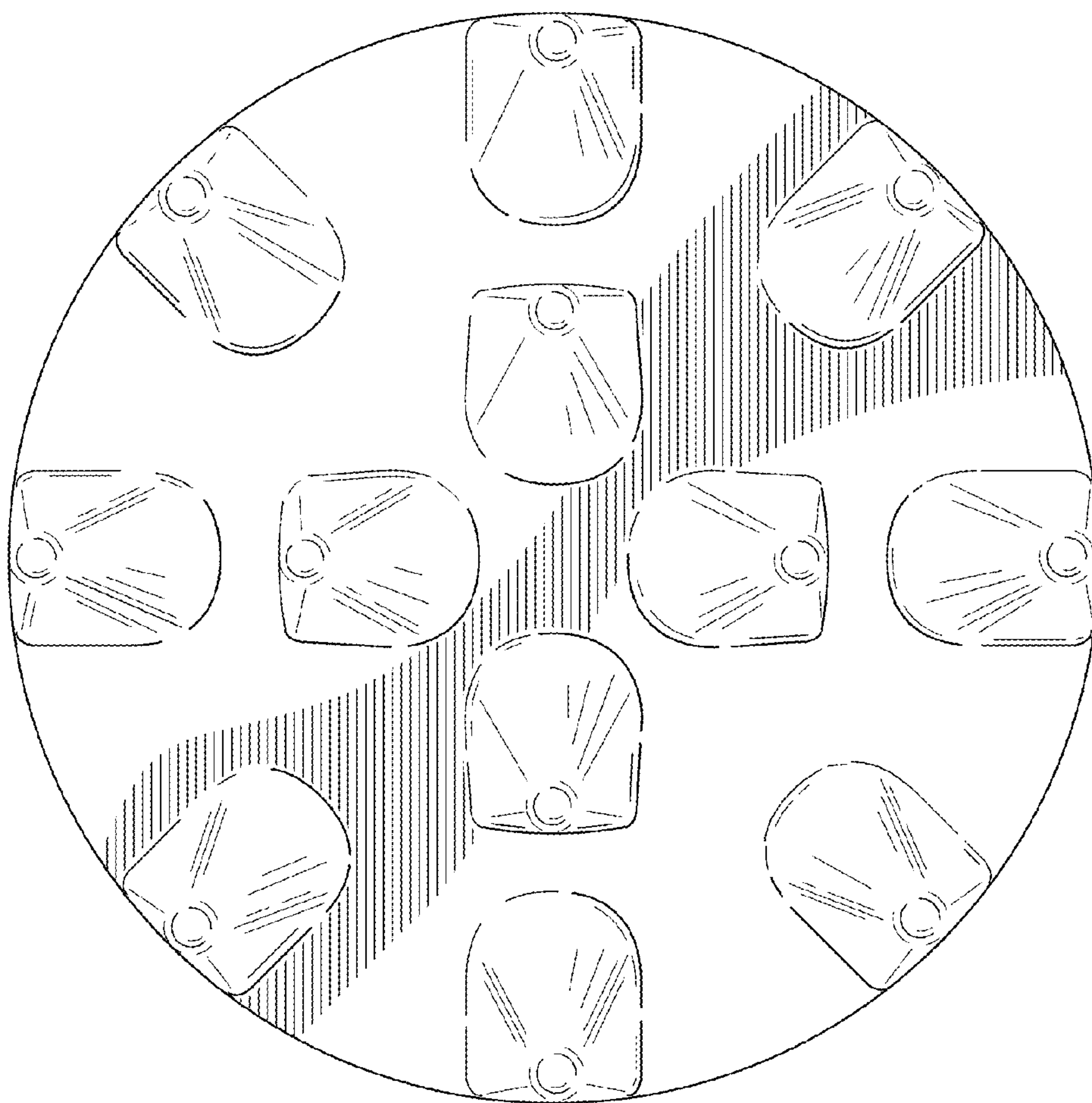


FIG. 4