

US00D734059S

(12) **United States Design Patent**  
**Sabounjian**

(10) **Patent No.:** **US D734,059 S**  
(45) **Date of Patent:** **\*\* Jul. 14, 2015**

(54) **WALL MOUNTED RACK**  
(71) Applicant: **Pro-Mart Industries, Inc.**, Irvine, CA (US)  
(72) Inventor: **Azad Sabounjian**, Irvine, CA (US)  
(73) Assignee: **Pro-Mart Industries, Inc.**, Irvine, CA (US)

5,350,145 A 9/1994 Fabbri Corsarini  
5,704,495 A \* 1/1998 Bale et al. .... 211/71.01  
D416,738 S \* 11/1999 Bergman ..... D6/567  
D442,814 S \* 5/2001 Sterling et al. .... D6/553  
D464,558 S 10/2002 Trifilio  
6,918,498 B2 7/2005 Sparkowski  
D524,146 S \* 7/2006 Jolson ..... D6/567  
7,097,048 B2 8/2006 Rimback et al.  
7,178,769 B2 2/2007 Magnusson et al.  
D602,724 S \* 10/2009 Liu ..... D6/567  
2003/0085188 A1 5/2003 Klein et al.

(\*\*) Term: **14 Years**

**FOREIGN PATENT DOCUMENTS**

(21) Appl. No.: **29/446,925**  
(22) Filed: **Feb. 28, 2013**  
(51) **LOC (10) Cl.** ..... **06-04**  
(52) **U.S. Cl.**  
USPC ..... **D6/569**  
(58) **Field of Classification Search**  
USPC ..... D6/553, 567, 569; 211/10-11, 13.1,  
211/44-50, 119.005, 87.01, 88.01, 126.13,  
211/126.16, 70.6, 71.01  
See application file for complete search history.

DE 2551646 A1 6/1977  
EM 0273480 A1 7/1988  
GB 2359010 A 8/2001

\* cited by examiner

*Primary Examiner* — Brian N Vinson  
(74) *Attorney, Agent, or Firm* — Stetina Brunda Garred & Brucker; Lowell Anderson

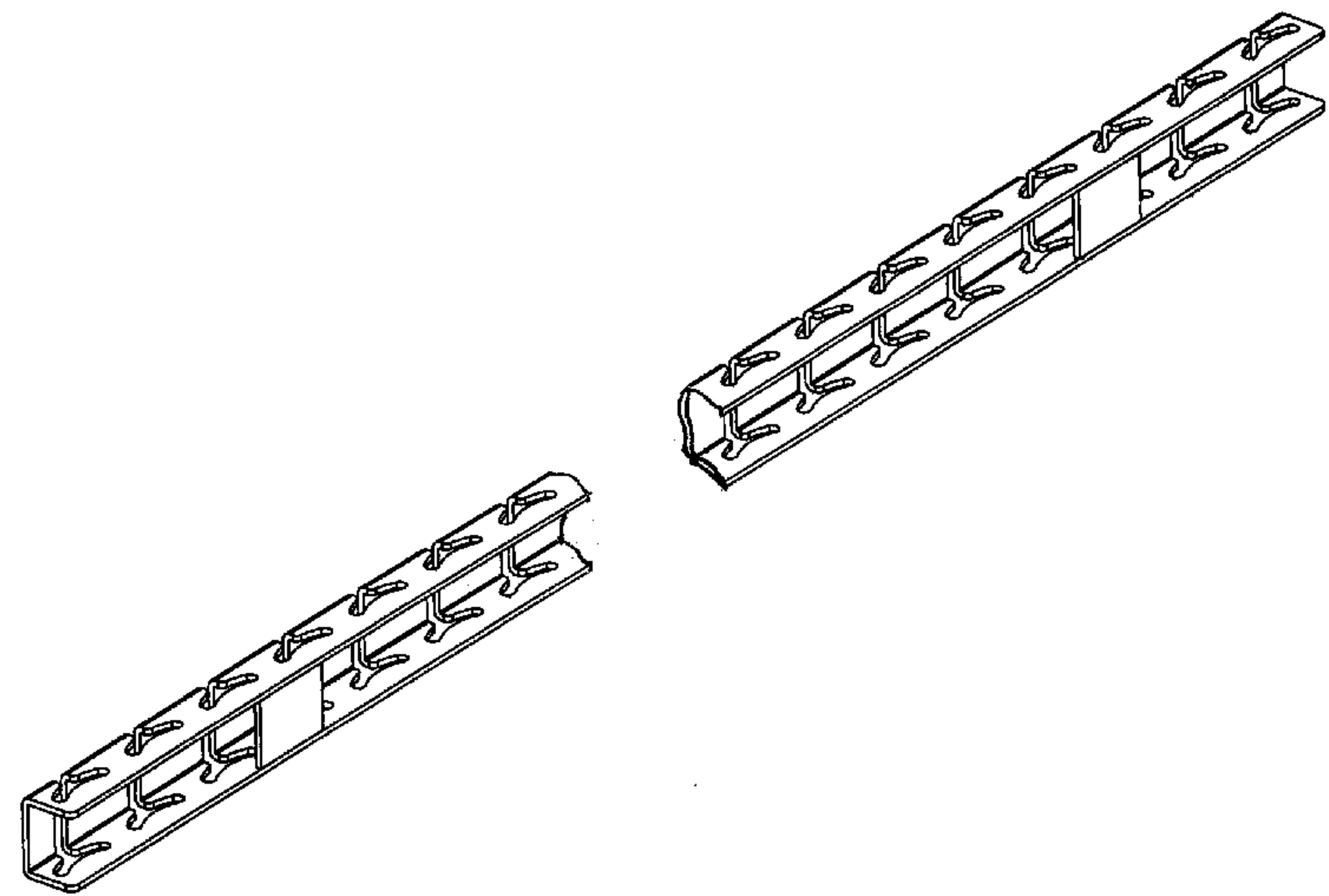
(57) **CLAIM**  
The ornamental design for a wall mounted rack, as shown and described.

(56) **References Cited**  
**U.S. PATENT DOCUMENTS**  
914,876 A 3/1909 Phinney  
2,270,796 A 1/1942 Hauser  
2,637,446 A 5/1953 Spangler  
2,925,916 A 2/1960 Pollock  
D188,221 S \* 6/1960 Maro ..... D6/567  
4,071,212 A \* 1/1978 Burrows et al. .... D6/567  
D251,819 S \* 5/1979 Nuttall et al. .... D6/569  
D259,312 S \* 5/1981 Nordlund ..... D6/569  
4,378,071 A 3/1983 Yakimicki  
4,401,222 A 8/1983 Kulikowski et al.  
4,880,122 A \* 11/1989 Martindell ..... 211/70.6  
5,004,195 A 4/1991 McIntyre  
5,110,080 A 5/1992 Rieman

**DESCRIPTION**

FIG. 1 is a top plan view of the wall mounted rack of this invention, with the bottom view being a mirror image thereof; FIG. 2 is a top view of the rack of FIG. 1; FIG. 3 is a bottom view of the rack of FIG. 1; FIG. 4 is a right side view of the rack of FIG. 1; FIG. 5 is a left side view of the rack of FIG. 1; FIG. 6 is a bottom perspective view of the rack of FIG. 1; and, FIG. 7 is a front perspective view of the rack of FIG. 1. The area between the broken away lines is understood to describe an area which forms no part of the claimed design.

**1 Claim, 2 Drawing Sheets**



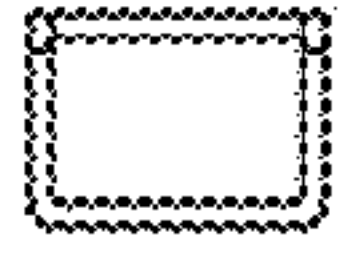


Fig. 2



Fig. 3

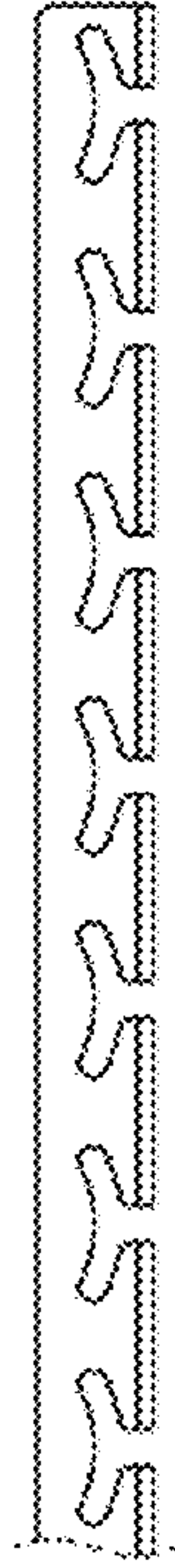


Fig. 4

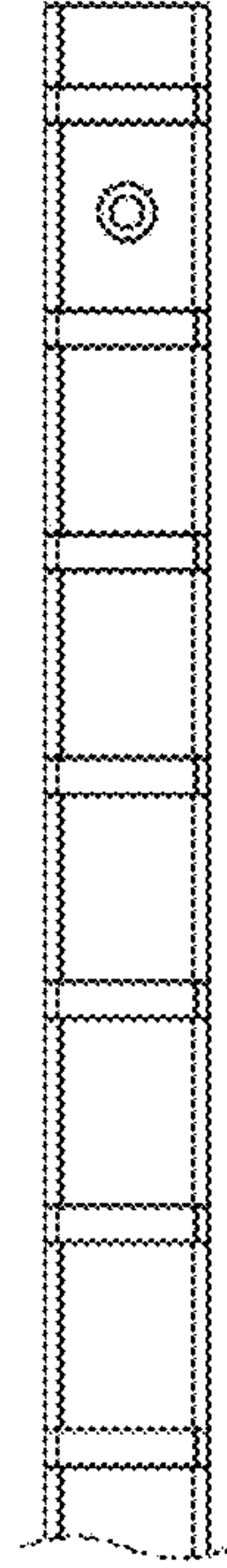


Fig. 1

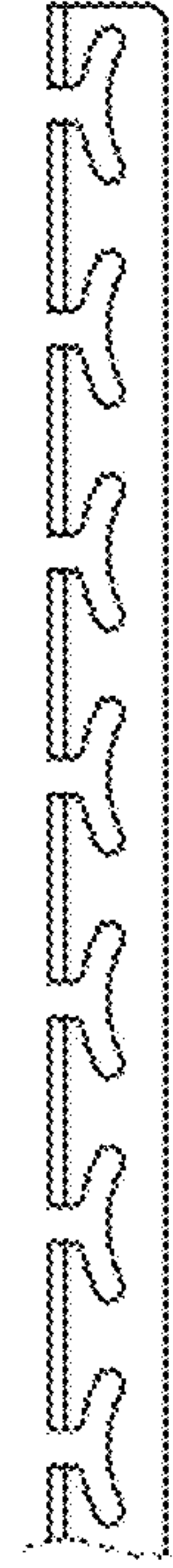
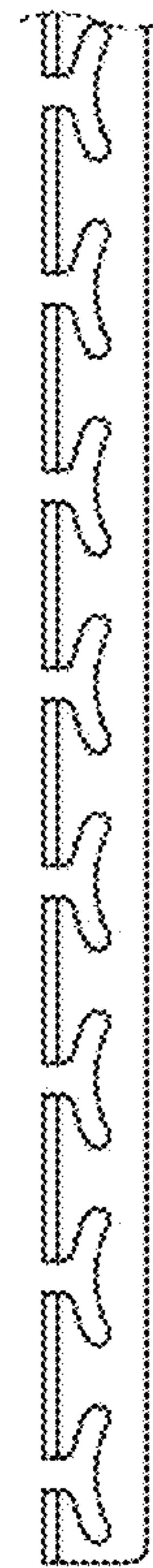
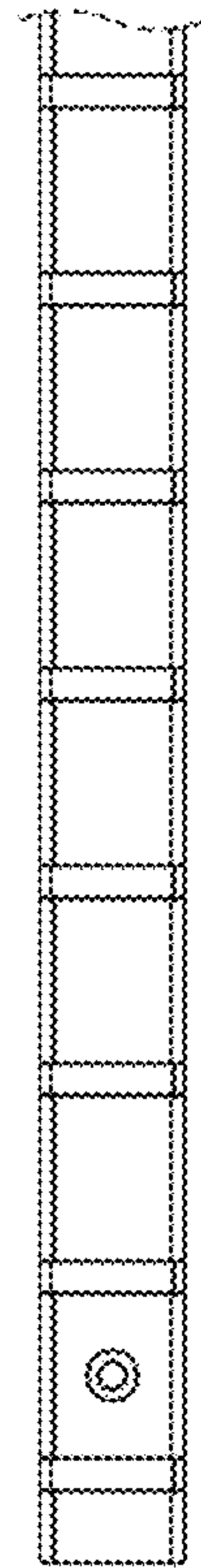
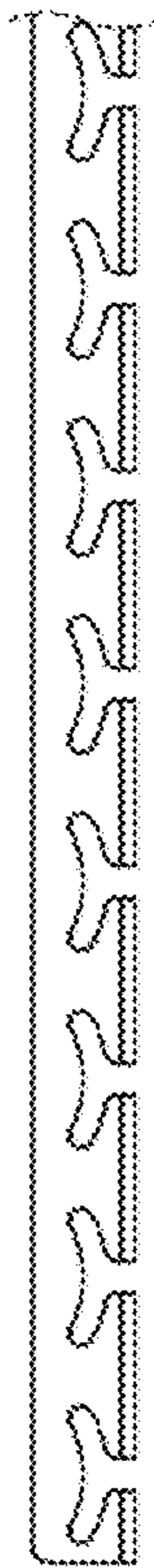


Fig. 5



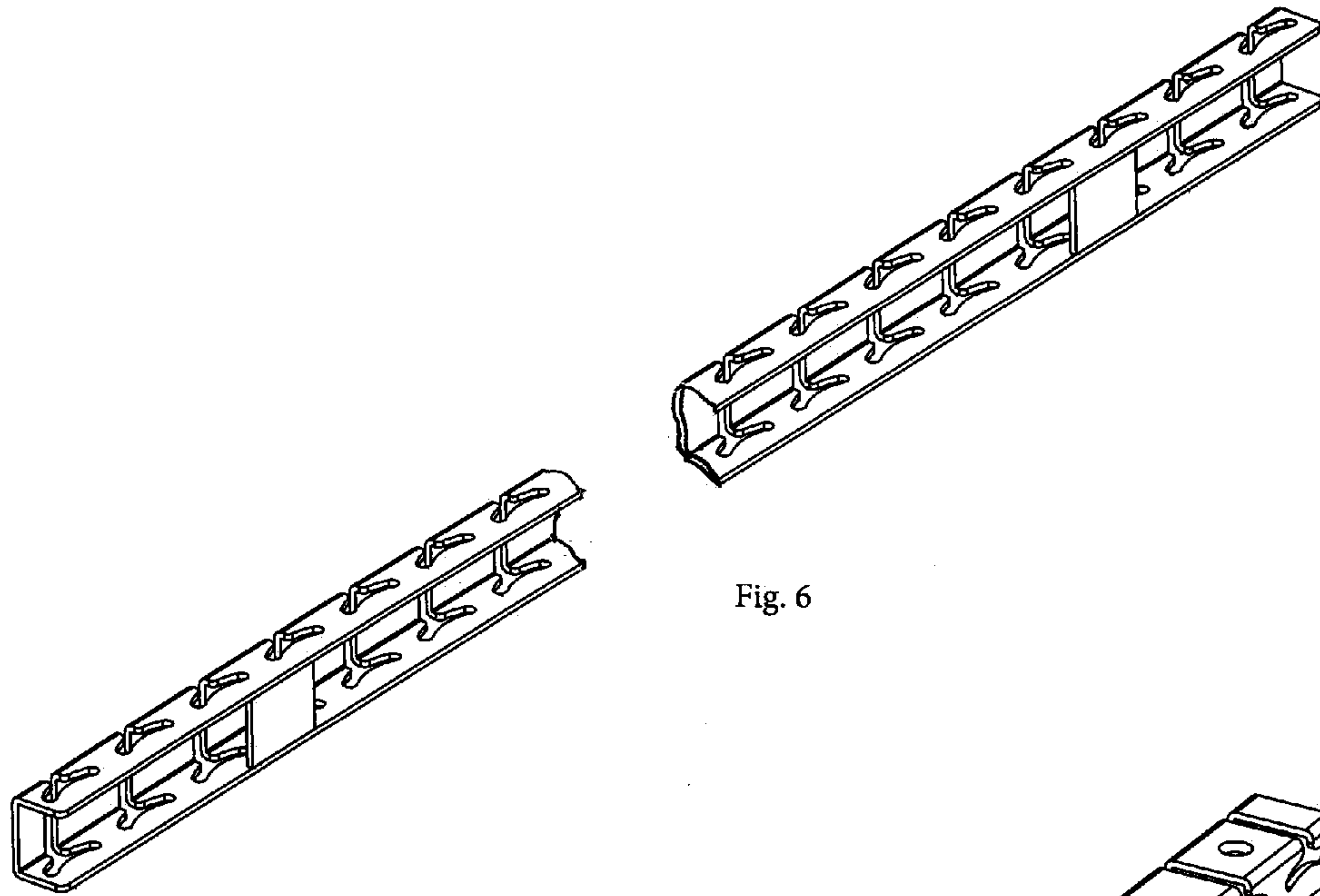


Fig. 6

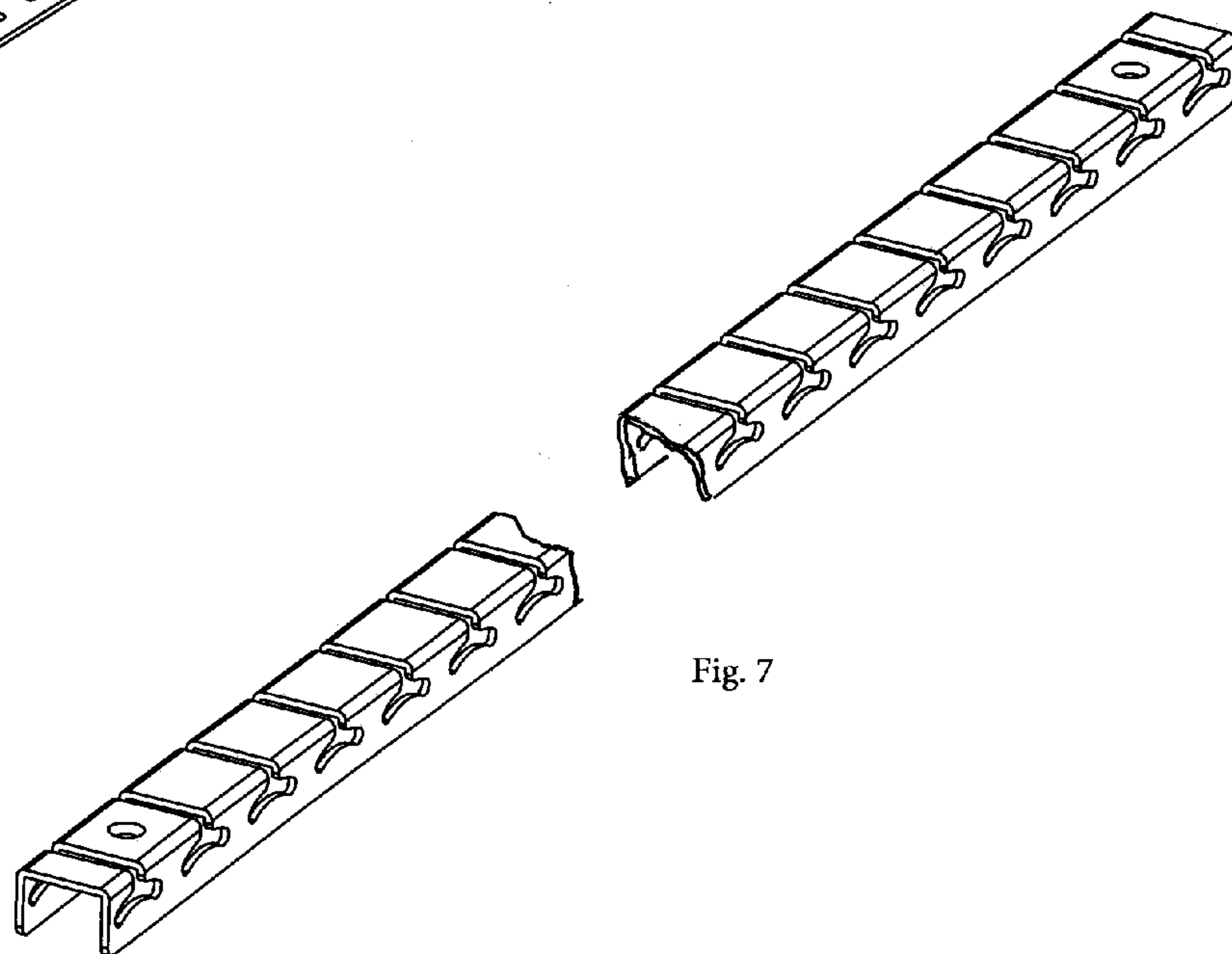


Fig. 7