



US00D734057S

(12) **United States Design Patent**
Davis et al.

(10) **Patent No.:** **US D734,057 S**
(45) **Date of Patent:** **** Jul. 14, 2015**

(54) **DISPENSER FOR HYGIENE PRODUCTS**

(71) Applicant: **Sage Products, LLC**, Cary, IL (US)

(72) Inventors: **Greg Davis**, Crystal Lake, IL (US); **Ron Cagle**, Crystal Lake, IL (US); **David Beck**, Crystal Lake, IL (US)

(73) Assignee: **Sage Products, LLC**, Cary, IL (US)

(**) Term: **14 Years**

(21) Appl. No.: **29/455,534**

(22) Filed: **May 21, 2013**

(51) **LOC (10) Cl.** **23-02**

(52) **U.S. Cl.**
USPC **D6/542**; D9/698

(58) **Field of Classification Search**
USPC D6/542, 545; D3/203; D9/398
CPC A74K 10/424; A74K 5/00; A74K 5/06;
A74K 5/12; A74K 5/14
See application file for complete search history.

(56) **References Cited**

U.S. PATENT DOCUMENTS

D396,009	S	7/1998	Reubens	
D451,736	S *	12/2001	Mast et al.	D6/545
6,347,724	B1	2/2002	Chen et al.	
6,431,400	B1	8/2002	O'Maley et al.	
6,883,563	B2	4/2005	Smith	
D511,301	S *	11/2005	Jones	D9/698
D512,648	S	12/2005	Smith et al.	
7,597,122	B1	10/2009	Smith	
8,020,733	B2	9/2011	Snodgrass	
D654,743	S	2/2012	Rospierski	
8,342,365	B2	1/2013	Snodgrass	
D675,853	S *	2/2013	Bunoz	D6/545
D682,590	S *	5/2013	Gilboe et al.	D6/545

D713,653	S *	9/2014	Sun Ting Kung et al.	D6/545
2009/0184134	A1	7/2009	Ciavarella et al.		
2010/0094581	A1	4/2010	Cagle		
2010/0173581	A1	7/2010	Dolan		
2011/0063106	A1	3/2011	Snodgrass		
2011/0169643	A1	7/2011	Cartner		
2011/0169645	A1	7/2011	Cartner et al.		
2012/0112914	A1	5/2012	Wegelin et al.		
2012/0241470	A1	9/2012	Snodgrass et al.		
2012/0275568	A1	11/2012	Mazor et al.		
2014/0081653	A1	3/2014	Davis et al.		

OTHER PUBLICATIONS

Application as filed Jan. 23, 2015 for U.S. Appl. No. 14/604,207 (36 pages).

* cited by examiner

Primary Examiner — Brian N Vinson
(74) *Attorney, Agent, or Firm* — Brinks, Gilson & Lione

(57) **CLAIM**
The ornamental design for a dispenser for hygiene products, as shown and described.

DESCRIPTION

FIG. 1 is a top and front perspective view of a dispenser for hygiene products dispenser showing our new design; FIG. 2 is a front view thereof; FIG. 3 is a rear view thereof; FIG. 4 is a top view thereof; FIG. 5 is a bottom view thereof; FIG. 6 is a left side view thereof; FIG. 7 is a right side view thereof; and, FIG. 8 is bottom and rear perspective view thereof. The broken line disclosure represents portions of the dispenser which form no part of the claimed design.

1 Claim, 8 Drawing Sheets

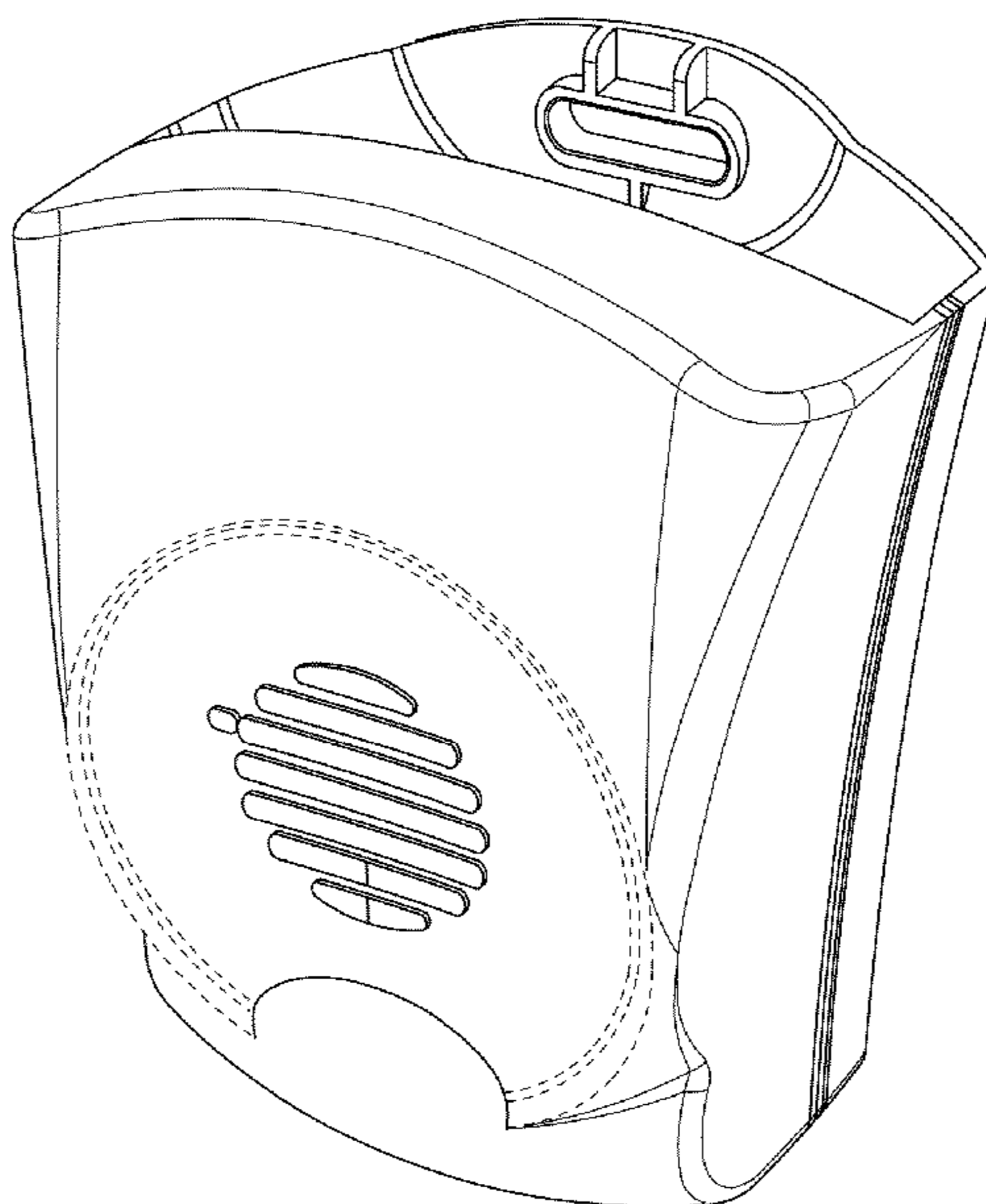


Fig. 1

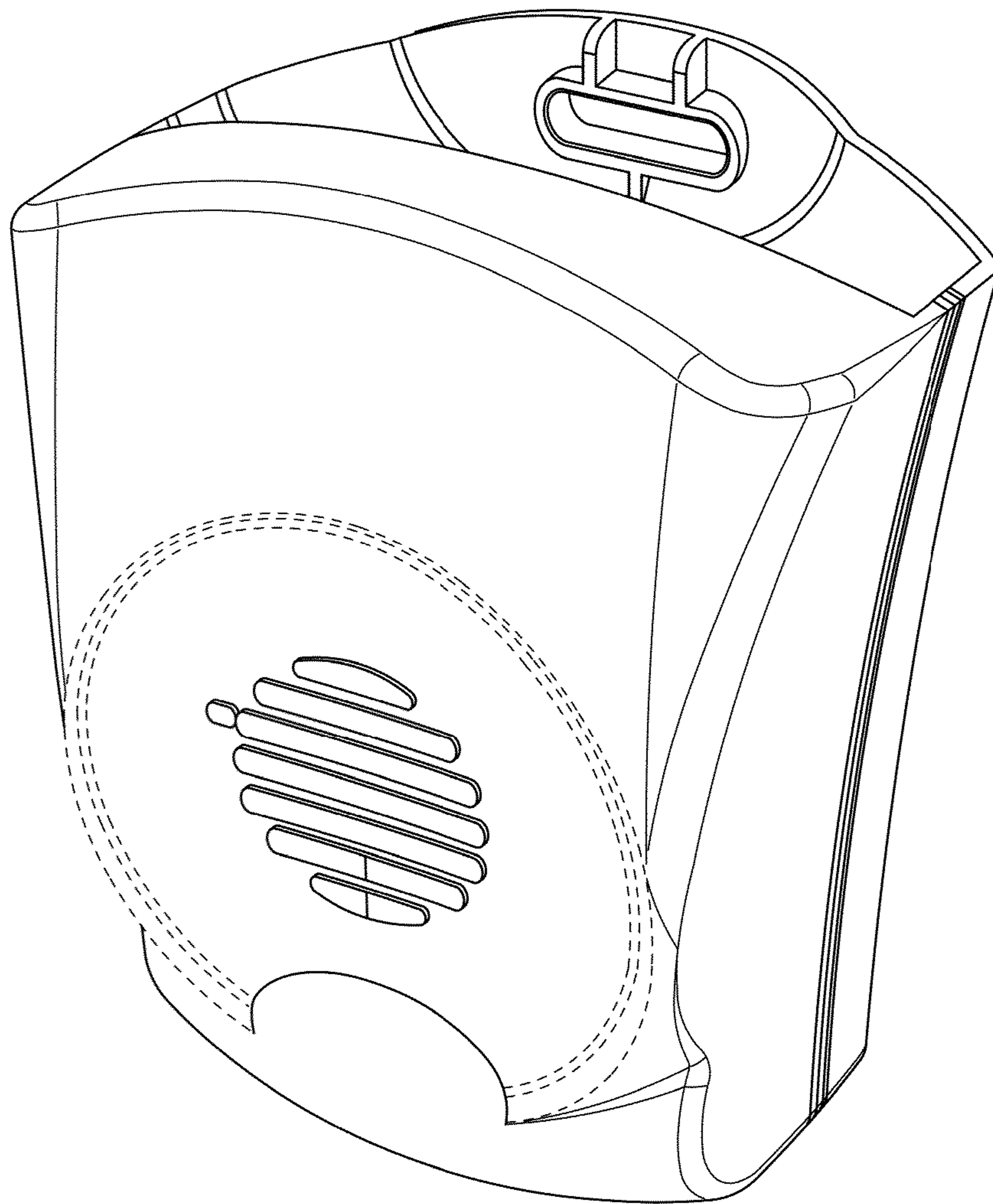


Fig. 2

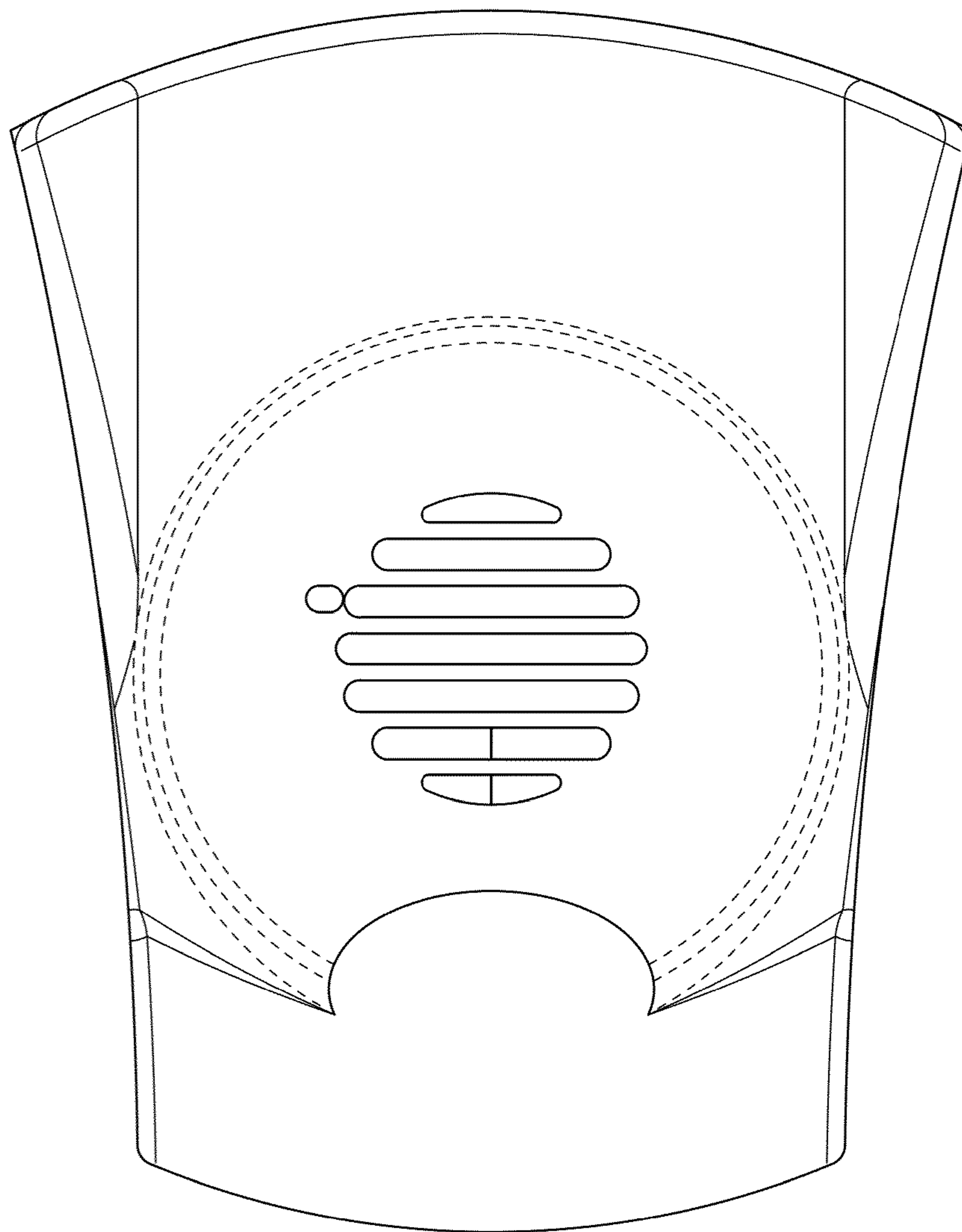


Fig. 3

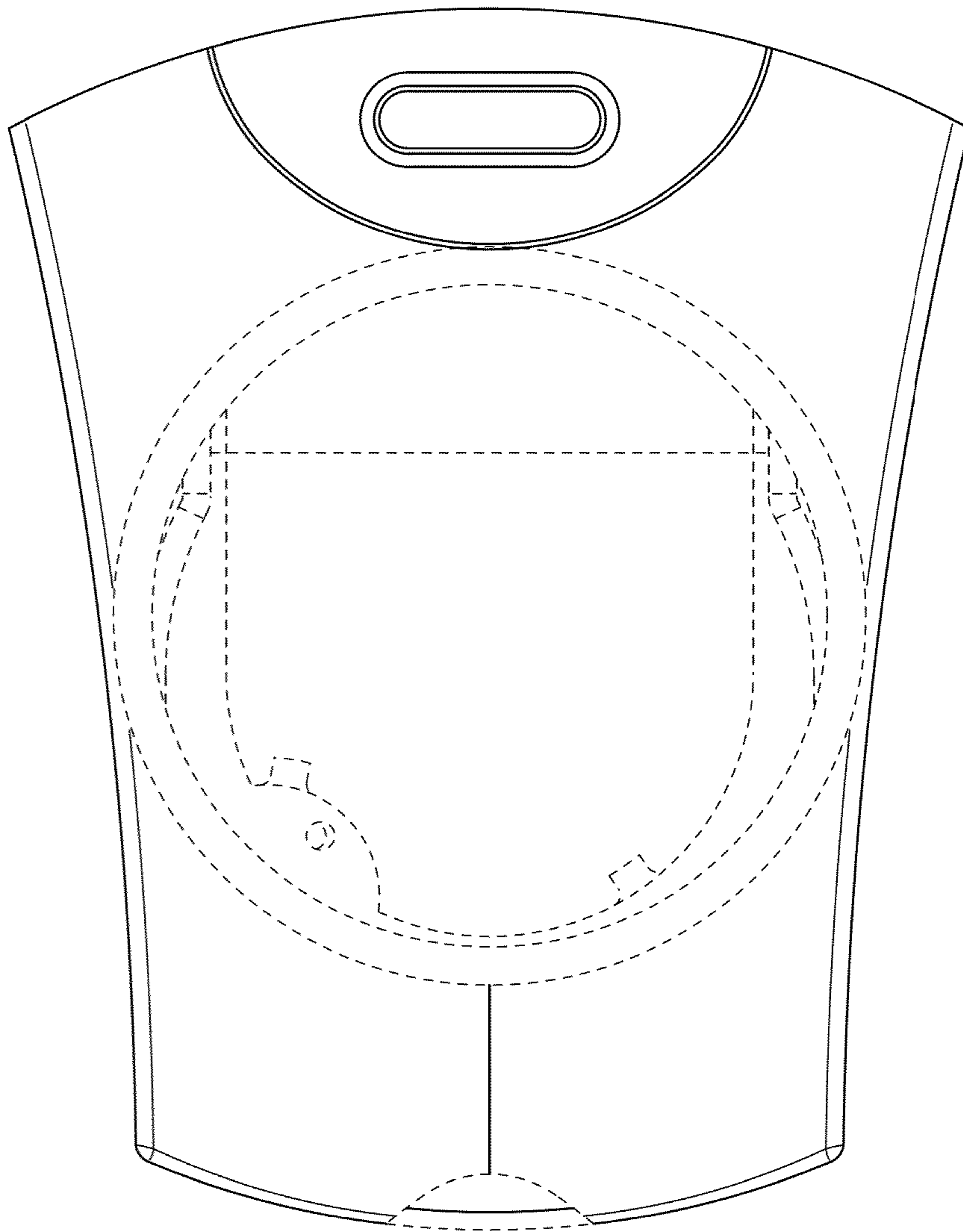


Fig. 4

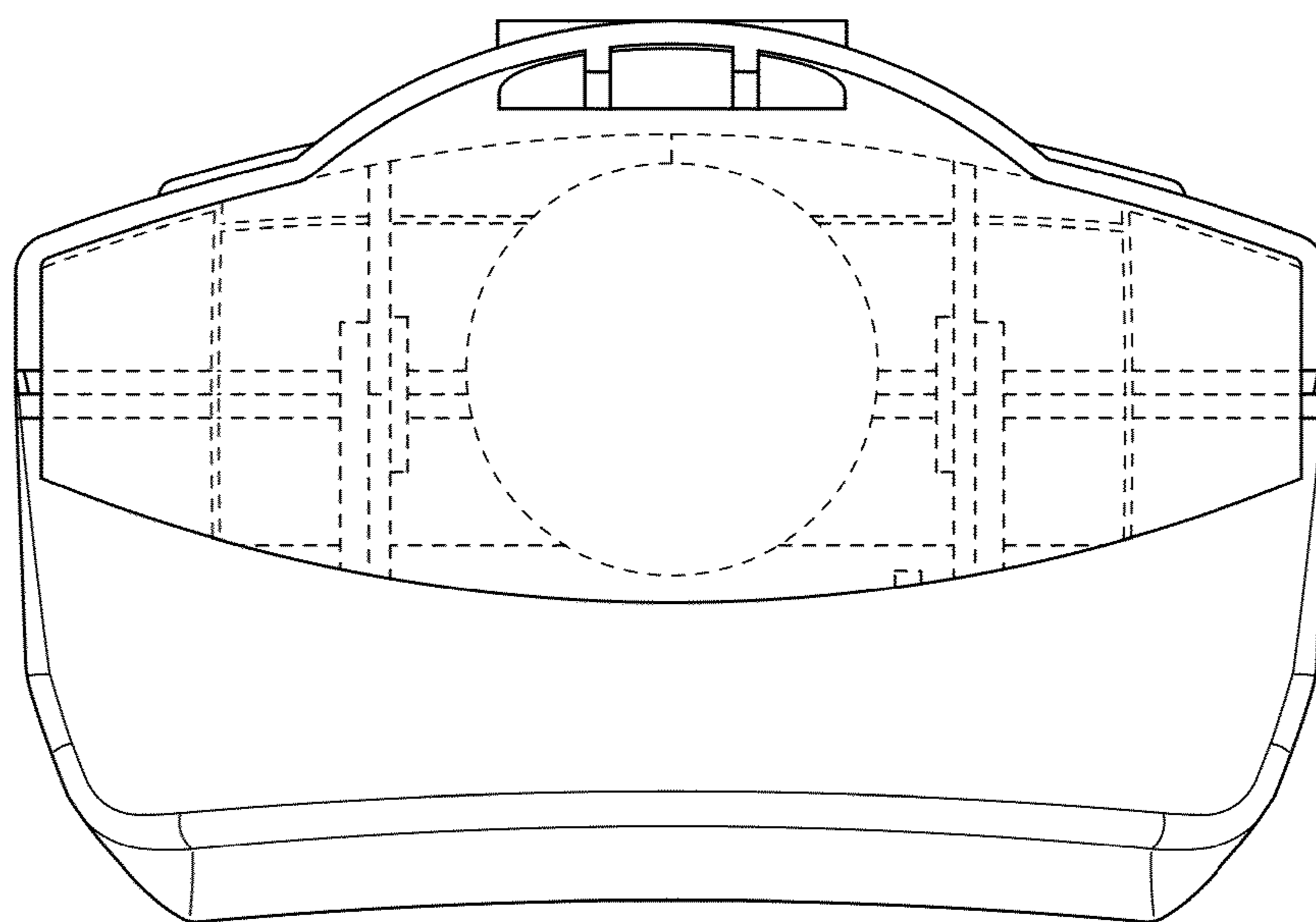


Fig. 5

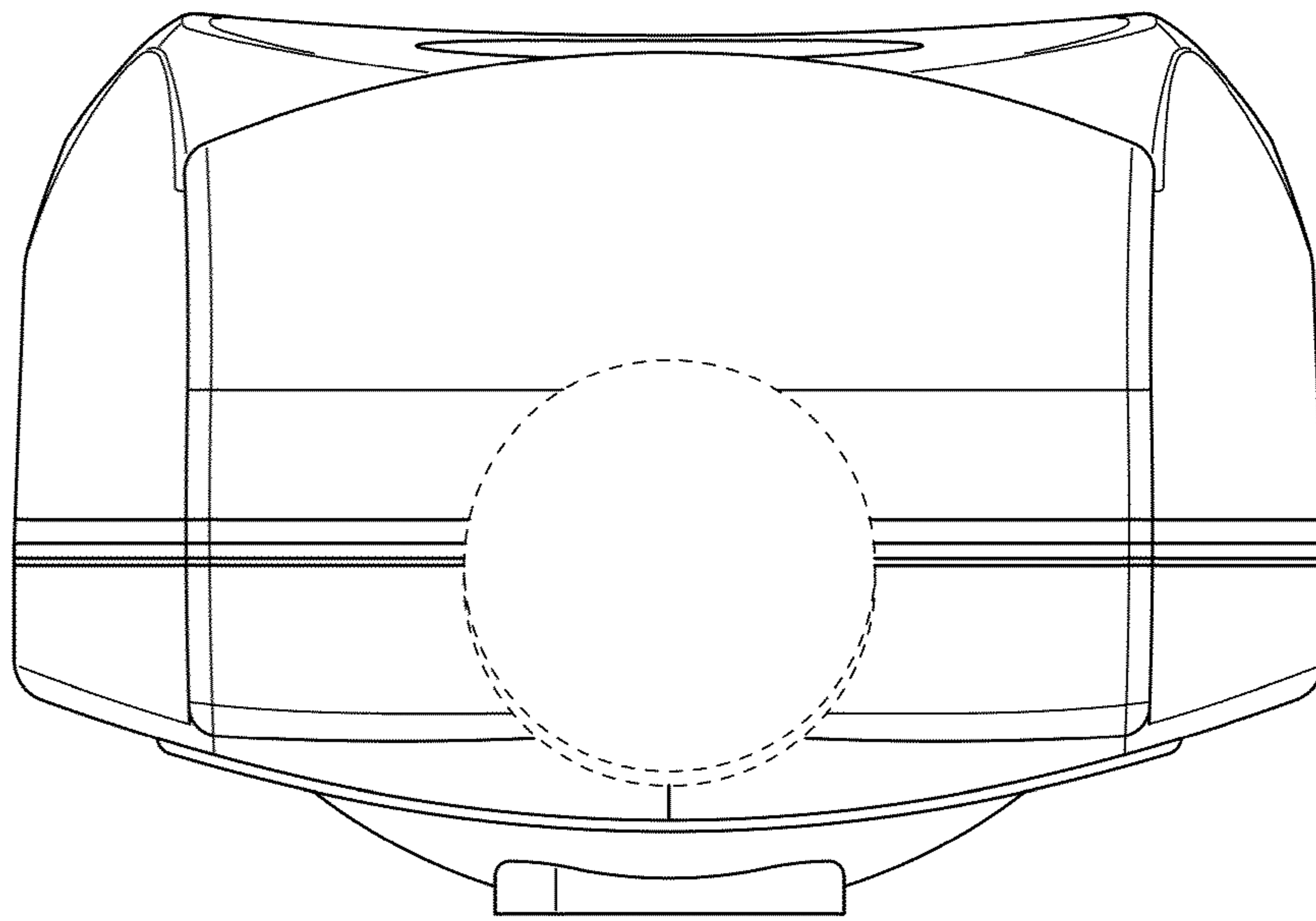


Fig. 6

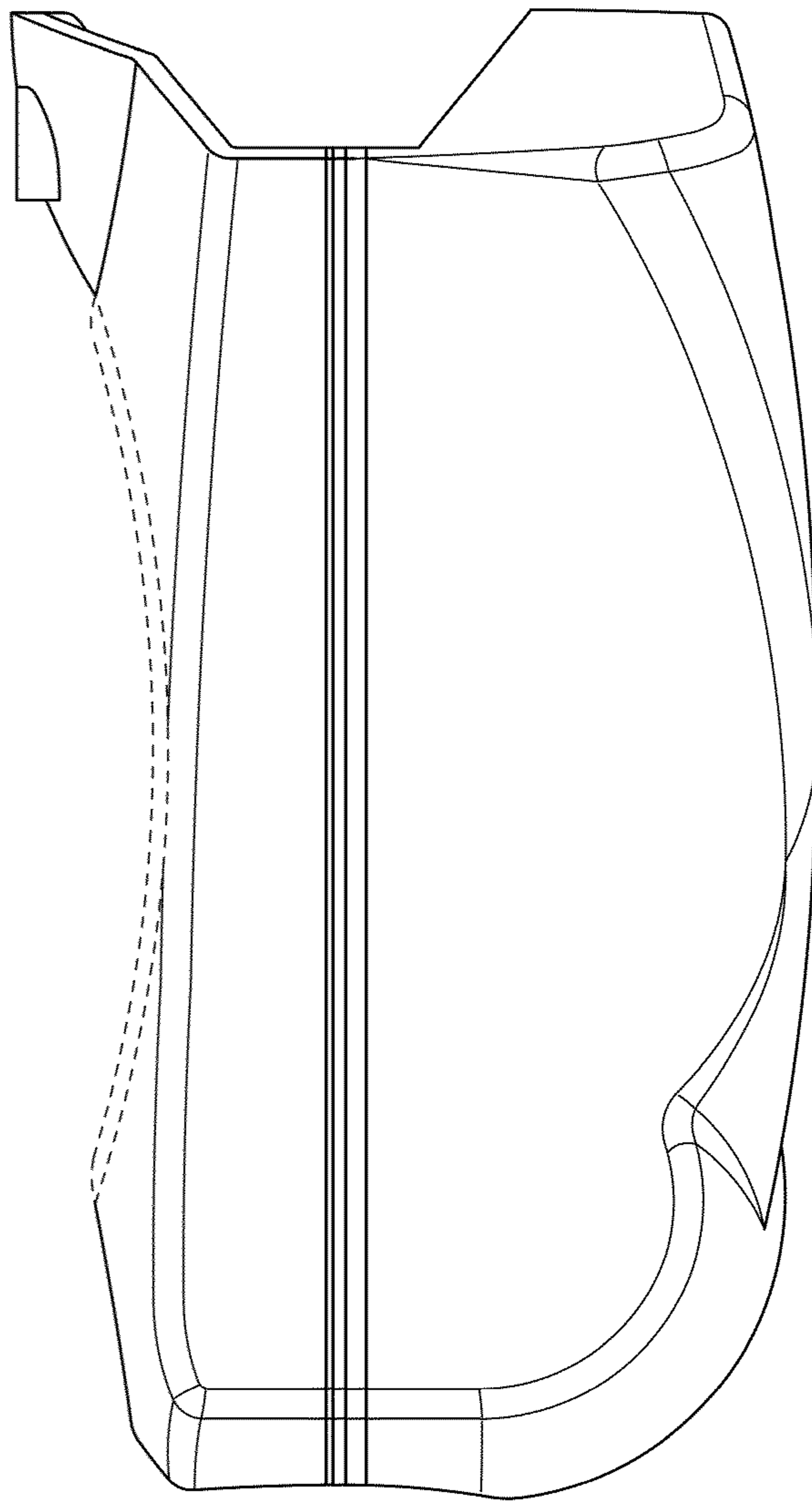


Fig. 7

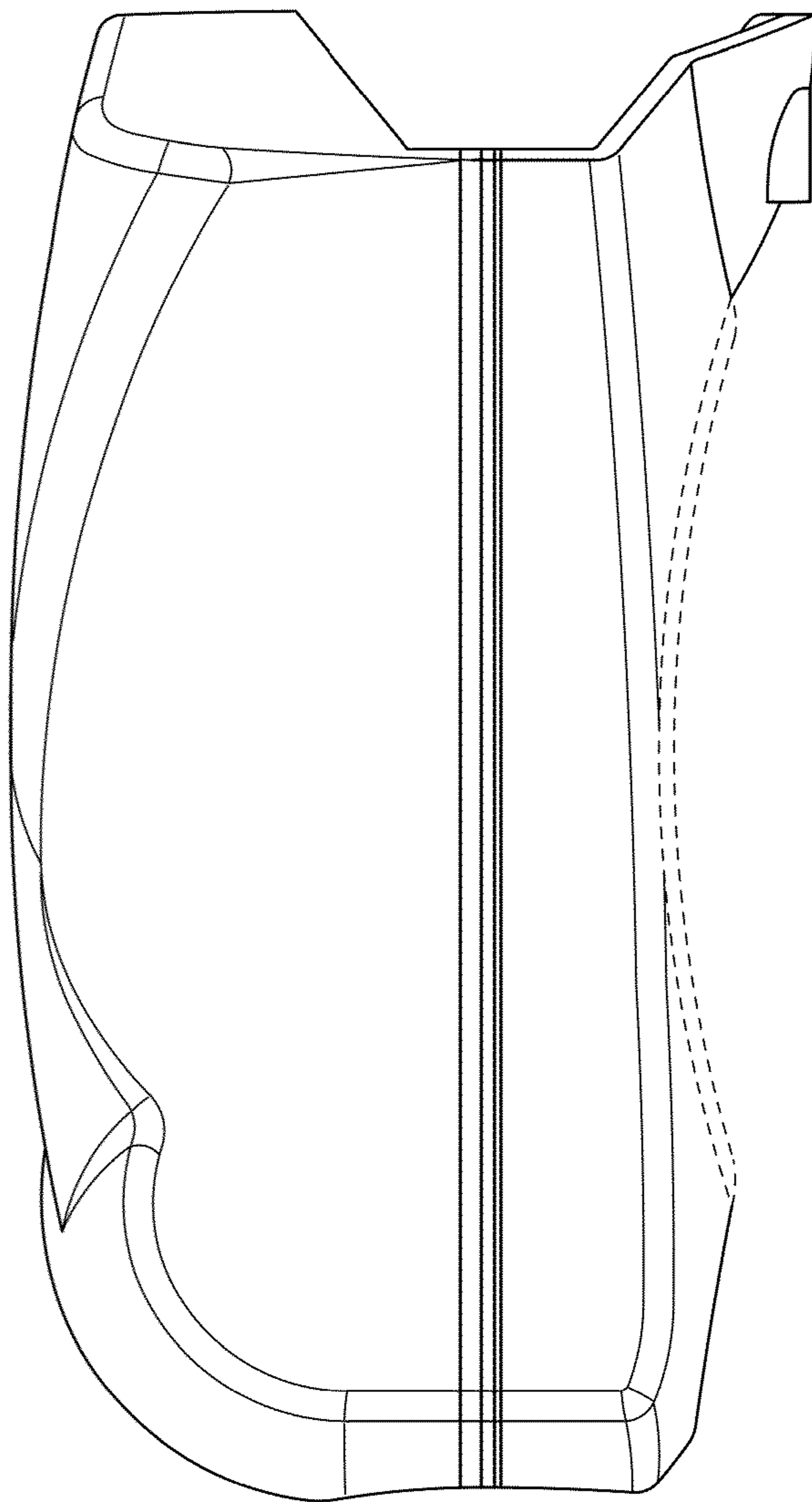


Fig. 8

