



US00D734054S

(12) **United States Design Patent**  
**New**

(10) **Patent No.:** **US D734,054 S**  
(45) **Date of Patent:** **\*\* Jul. 14, 2015**

(54) **TOOTHBRUSH AND/OR RAZOR HOLDER**  
(71) Applicant: **William R. New**, Fayetteville, GA (US)  
(72) Inventor: **William R. New**, Fayetteville, GA (US)  
(\*\*) Term: **14 Years**  
(21) Appl. No.: **29/449,958**

*Primary Examiner* — Brian N Vinson  
(74) *Attorney, Agent, or Firm* — Bryan P. Stanley; Kutak Rock LLP

(22) Filed: **Mar. 15, 2013**  
(51) **LOC (10) Cl.** ..... **23-02**  
(52) **U.S. Cl.**  
USPC ..... **D6/525**  
(58) **Field of Classification Search**  
USPC ..... D6/524–528; D3/901, 203.5; D28/73;  
211/13.1, 10, 11, 70.6, 70.7, 71.01, 74;  
206/216, 223, 228, 486, 557, 562;  
D19/69, 77, 78, 85  
See application file for complete search history.

(57) **CLAIM**  
The ornamental design for a toothbrush and/or razor holder, as shown and described.

**DESCRIPTION**

FIG. 1 is a front side perspective view of an embodiment of a device of the instant invention. The broken lines representing a button form no part of the claimed design.  
FIG. 2 is a top plan view of the device of FIG. 1. The broken lines representing a button form no part of the claimed design.  
FIG. 3 is a front elevation view of the device of FIG. 1. The broken lines representing a button form no part of the claimed design.  
FIG. 4 is a bottom view of the device of FIG. 1. The broken lines representing a battery compartment cover form no part of the claimed design.  
FIG. 5 is a right side elevation view of the device of FIG. 1.  
FIG. 6 is a left side elevation view of the device of FIG. 1.  
FIG. 7 is a rear side elevation view of the device of FIG. 1; and,  
FIG. 8 is a rear perspective view of the device of FIG. 1.  
Various figures include additional broken lines. These additional broken lines are phantom lines that represent points of tangency.

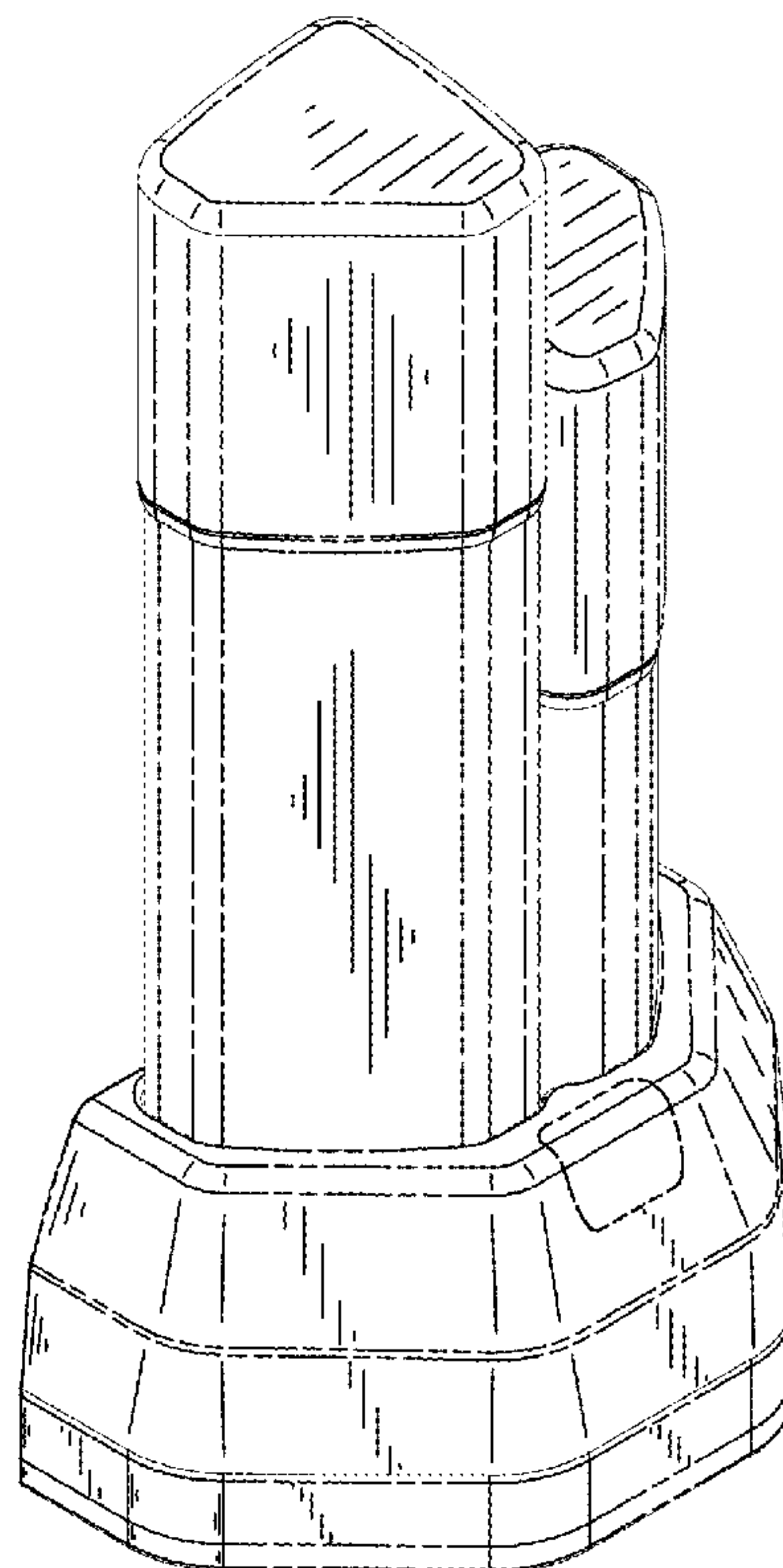
(56) **References Cited**

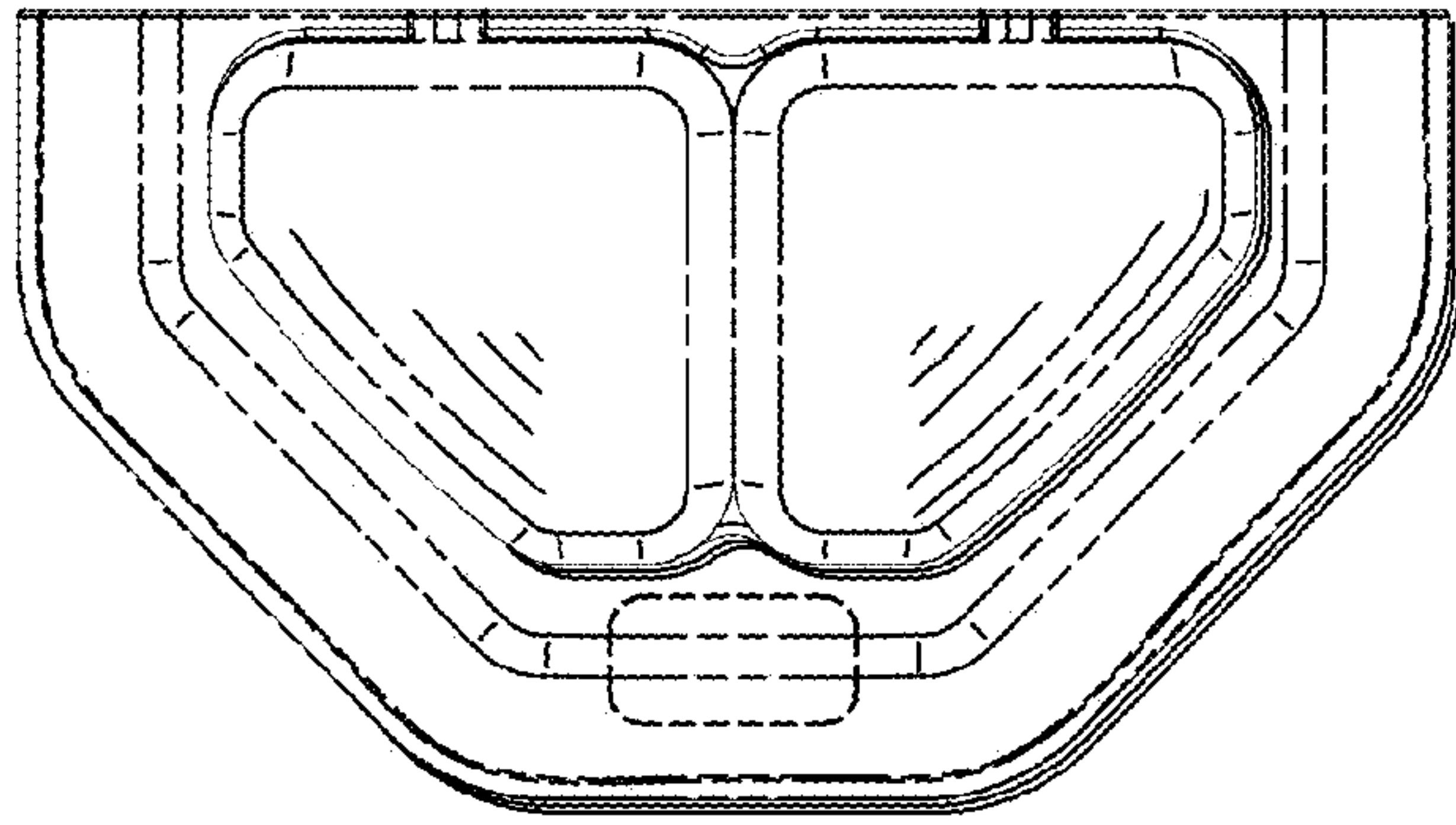
U.S. PATENT DOCUMENTS

D322,731 S	*	12/1991	Willie	.....	D6/524
D377,951 S	*	2/1997	McDiarmid	.....	D19/77
D393,105 S	*	3/1998	Wolff	.....	D28/73
D418,947 S	*	1/2000	Greiner	.....	D6/525
D571,136 S	*	6/2008	Kramer	.....	D6/525
D677,047 S	*	3/2013	Watson	.....	D3/203.5

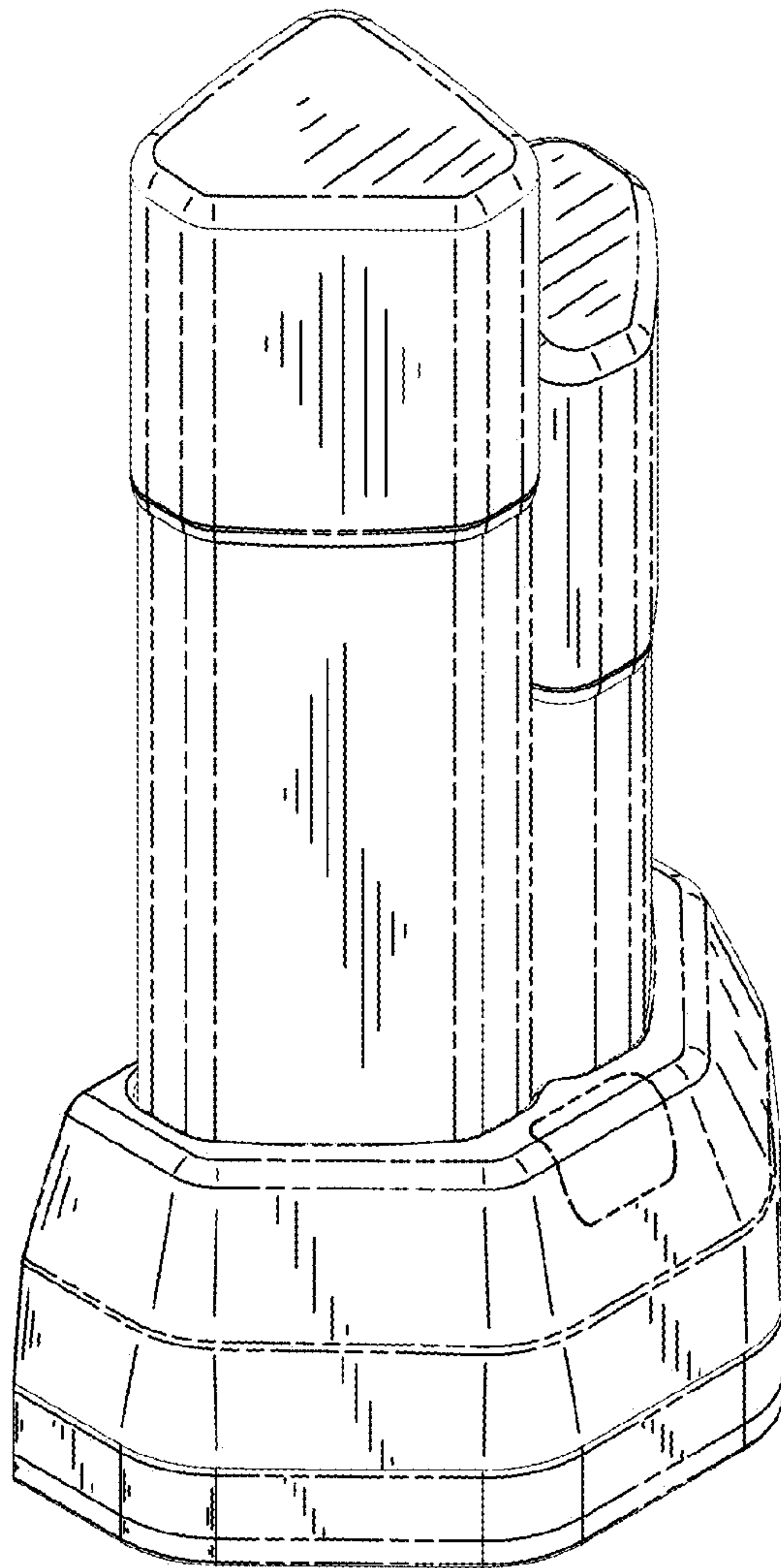
\* cited by examiner

**1 Claim, 4 Drawing Sheets**

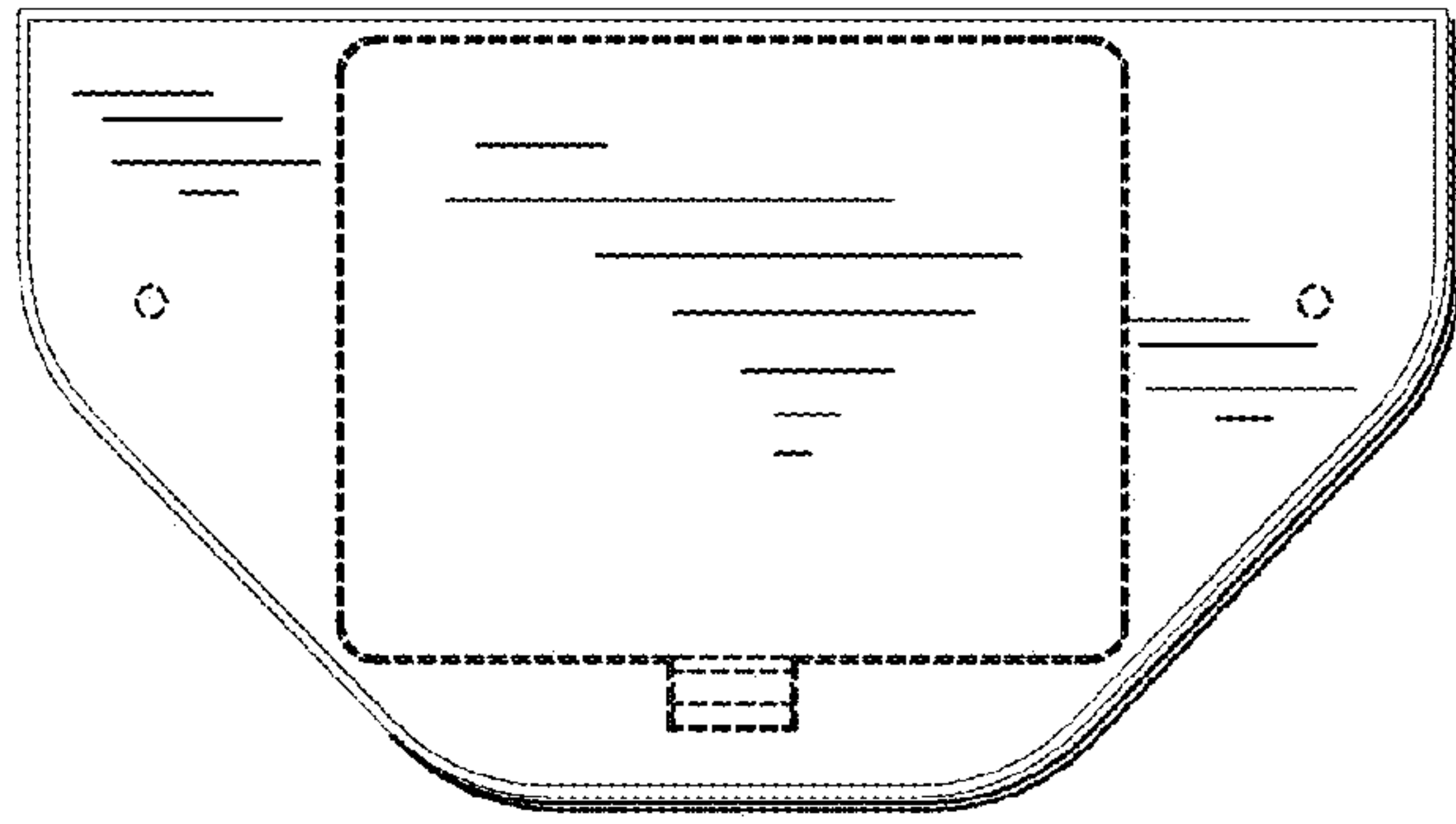




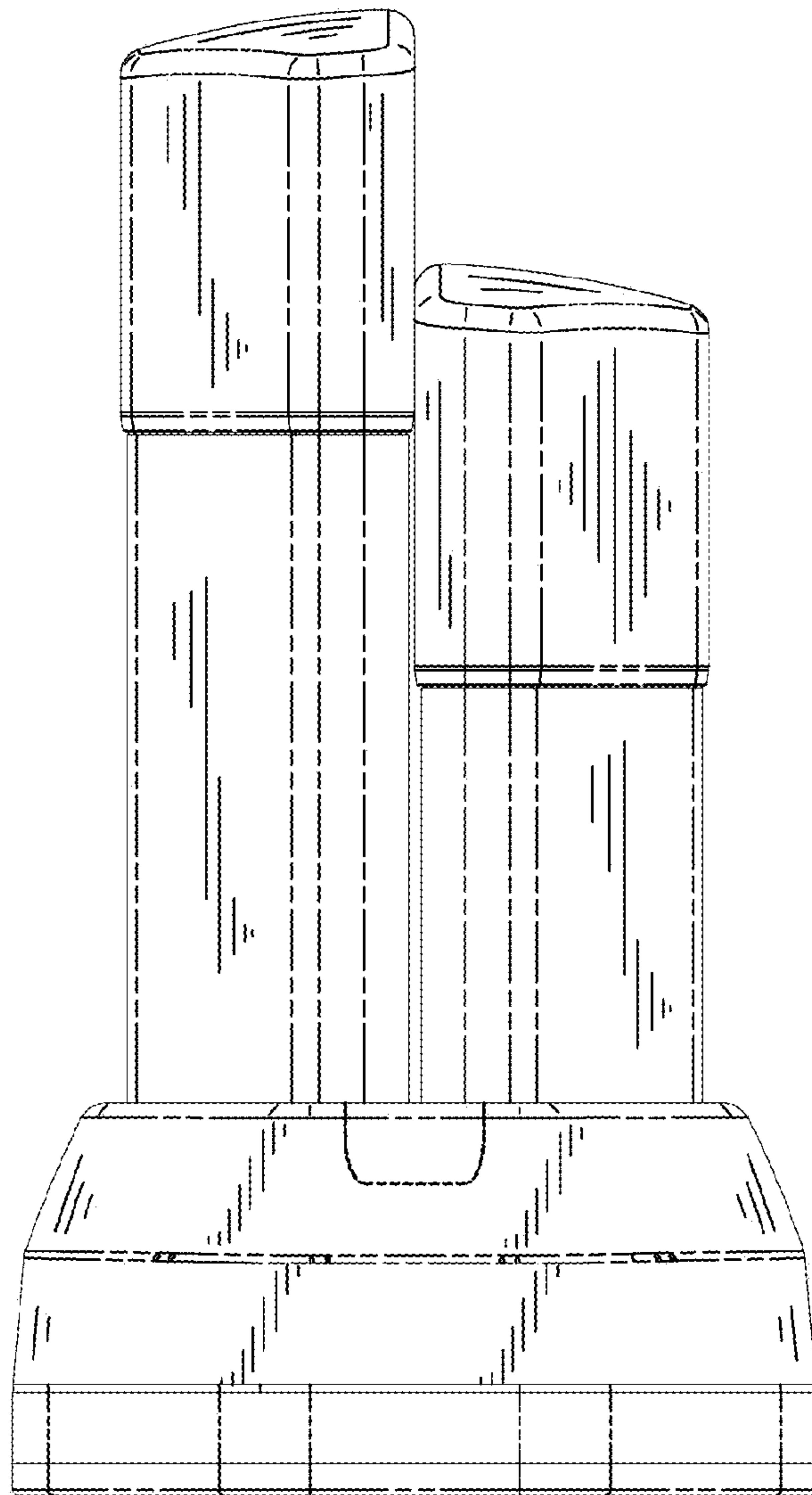
*Fig. 2.*



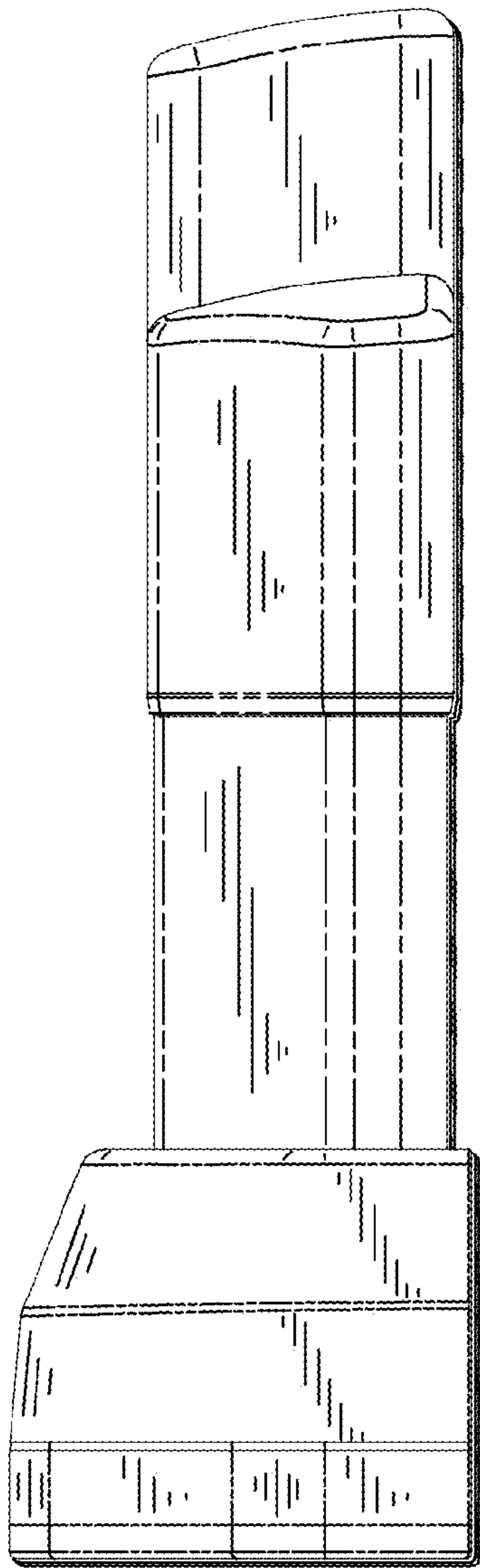
*Fig. 1.*



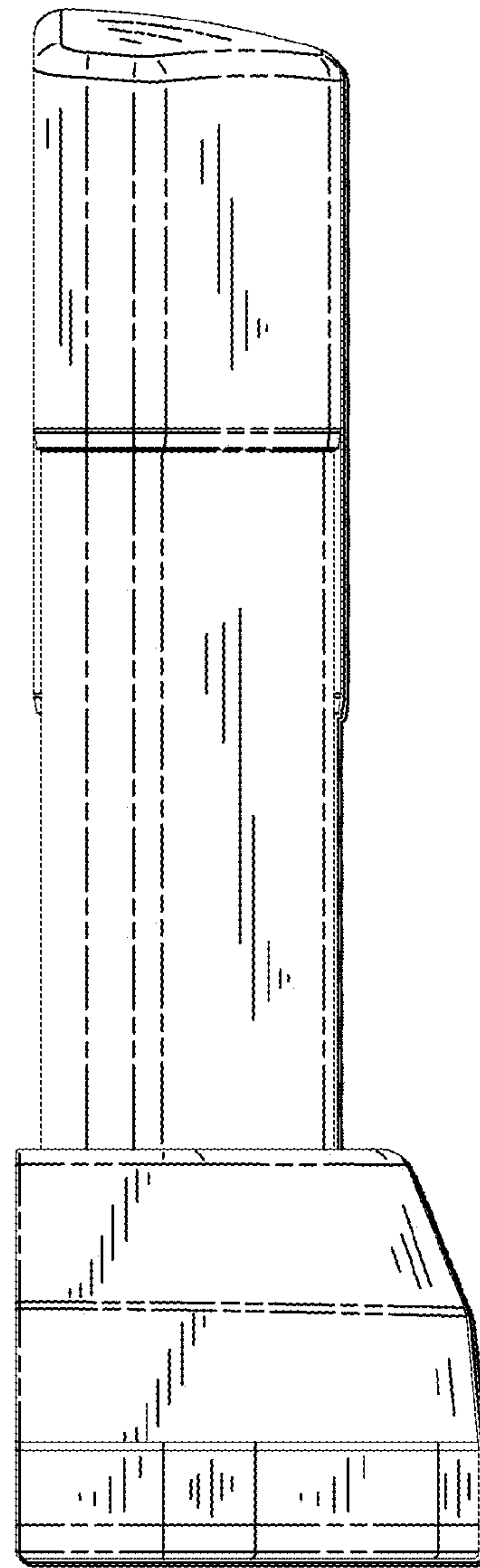
*Fig. 4.*



*Fig. 3.*

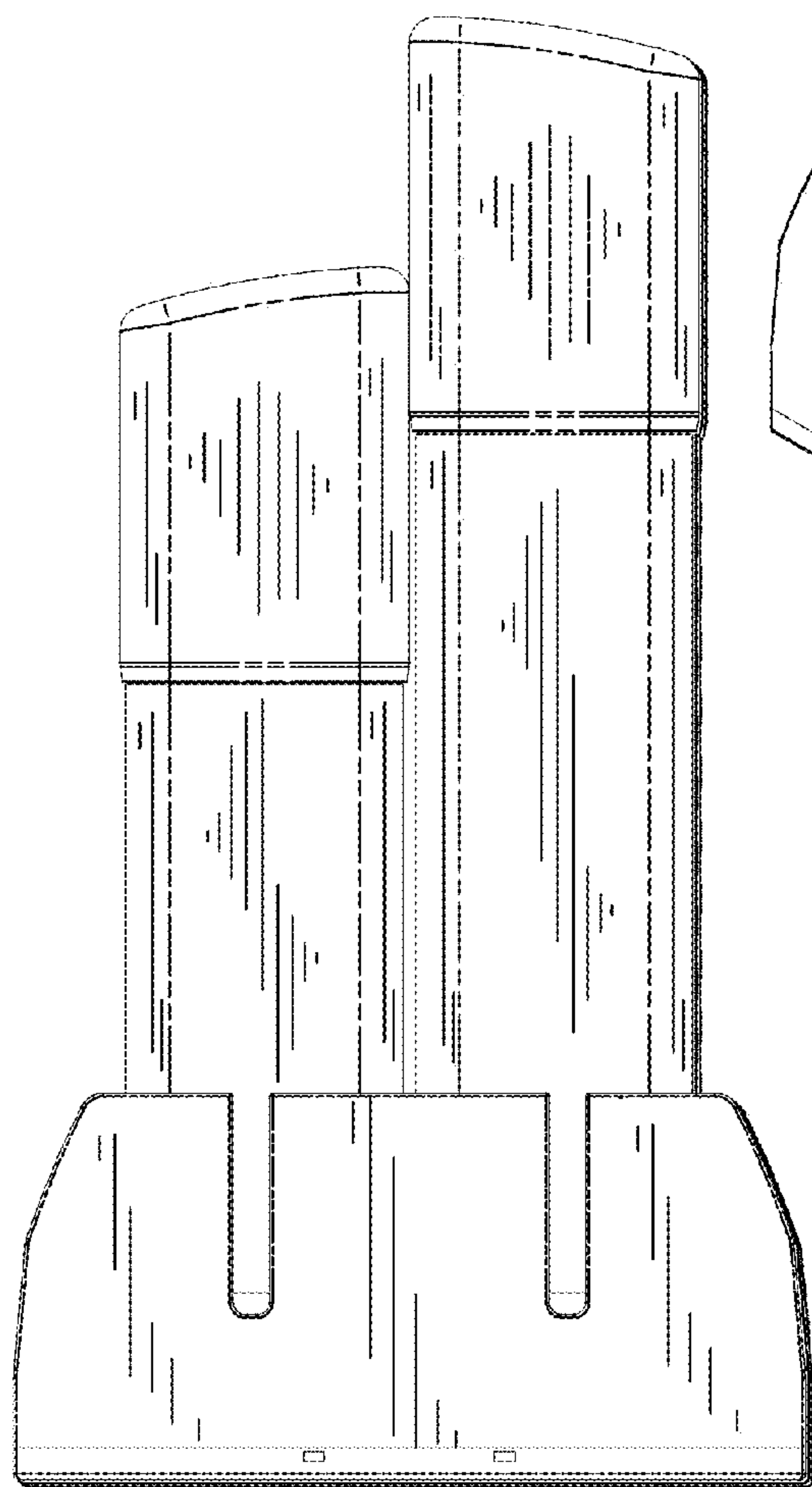


*Fig. 5.*

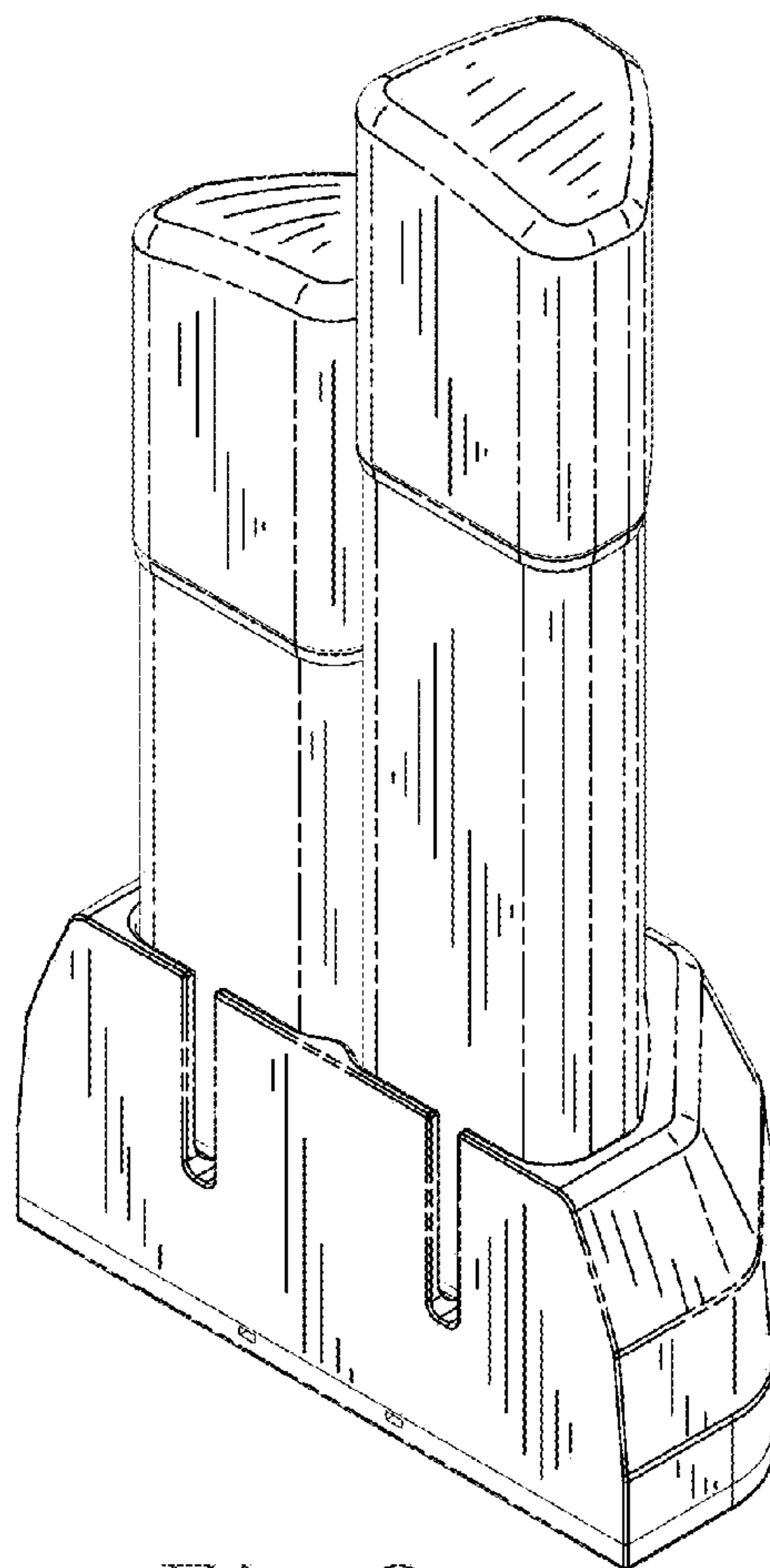


*Fig. 6.*





*Fig. 7.*



*Fig. 8.*