

US00D734048S

(12) **United States Design Patent**
Nelson

(10) **Patent No.:** **US D734,048 S**
(45) **Date of Patent:** **** Jul. 14, 2015**

(54) **BATH TRANSFER BENCH**

(56) **References Cited**

(71) Applicant: **Homer TLC, Inc.**, Wilmington, DE
(US)
(72) Inventor: **Michael Nelson**, Peachtree City, GA
(US)
(73) Assignee: **Homer TLC, Inc.**, Wilmington, DE
(US)
(**) Term: **14 Years**
(21) Appl. No.: **29/502,477**
(22) Filed: **Sep. 16, 2014**

U.S. PATENT DOCUMENTS

2,813,276 A	11/1957	Lanza	4/185
4,087,127 A	5/1978	Lotta	297/14
4,391,006 A	7/1983	Smith	4/559
4,472,844 A	9/1984	Mace	4/579
4,475,256 A	10/1984	Hatala	4/562
5,475,880 A	12/1995	Guenther	4/578
5,561,868 A	10/1996	Campbell	4/560.1
6,065,251 A	5/2000	Kindrick	52/36.4
D444,653 S *	7/2001	Skalka	D6/502
D446,413 S *	8/2001	Skalka	D6/500
D478,749 S *	8/2003	Gilbert et al.	D6/500

(Continued)

FOREIGN PATENT DOCUMENTS

WO WO 01/70088 9/2001

OTHER PUBLICATIONS

U.S. Appl. No. 13/799,937, filed Mar. 13, 2013, Nelson.

Primary Examiner — Susan Bennett Hattan
Assistant Examiner — Vy Koenig
(74) *Attorney, Agent, or Firm* — Norton Rose Fulbright US LLP

Related U.S. Application Data

(62) Division of application No. 29/448,633, filed on Mar. 13, 2013, now Pat. No. Des. 713,161.
(51) **LOC (10) Cl.** **06-01**
(52) **U.S. Cl.**
USPC **D6/362**
(58) **Field of Classification Search**
USPC D6/333, 335, 336, 338, 340, 344, 347,
D6/349–355, 358, 360, 362–365, 374, 381,
D6/500, 502, 596, 601, 685, 687, 688.15,
D6/688.27, 690, 691, 692.3, 708.16,
D6/708.21, 708.22, 709, 709.2, 709.22,
D6/711, 716–716.7, 717
CPC A47C 1/14; A47C 3/16–3/20; A47C 4/00;
A47C 4/28; A47C 5/02; A47C 5/04; A47C
5/043; A47C 7/00–7/006; A47C 7/02; A47C
7/68; A47C 9/00; A47C 9/02; A47C 9/002;
A47C 9/007; A47C 9/025; A47C 9/10;
A47C 11/00; A47C 12/00; A47C 13/00;
A47C 16/02; A47C 39/00; A47C 41/00;
A47C 11/002

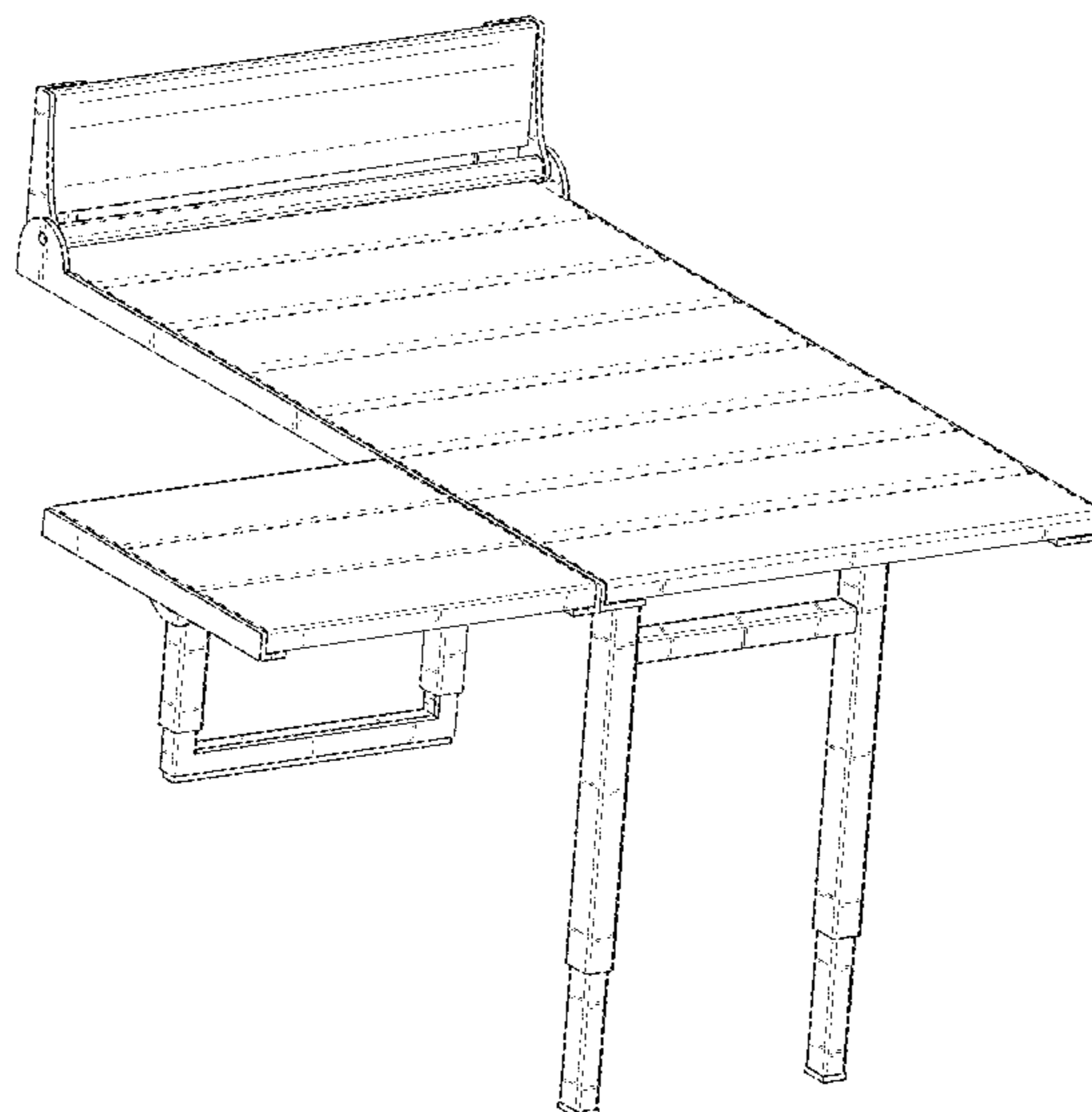
See application file for complete search history.

(57) **CLAIM**
The ornamental design for a bath transfer bench, as shown and described.

DESCRIPTION

FIG. 1 is a front perspective view of my design comprising a bath transfer bench;
FIG. 2 is a front side orthogonal view of my design;
FIGS. 3 and 4 are left and right side orthogonal views of my design; and,
FIG. 5 is a top orthogonal view of my design.
The dashed lines in the figures represent environmental structure and form no part of the claimed design.

1 Claim, 5 Drawing Sheets



(56)

References Cited

U.S. PATENT DOCUMENTS

D478,751	S *	8/2003	Gilbert et al.	D6/502	D571,112	S *	6/2008	Henderson	D6/362
D494,767	S *	8/2004	Self et al.	D6/362	D580,188	S *	11/2008	Self et al.	D6/353
D495,506	S *	9/2004	Self et al.	D6/362	D591,521	S *	5/2009	Luxton et al.	D6/362
6,807,690	B1	10/2004	Satterfield	4/578.1	D602,703	S *	10/2009	Luxton et al.	D6/362
7,080,417	B2	7/2006	Jiang	4/578.1	D617,107	S *	6/2010	Thuente et al.	D6/362
7,155,757	B1	1/2007	Zamora, Jr.	4/579	8,181,285	B1	5/2012	Jackson	4/578.1
D536,889	S *	2/2007	Self et al.	D6/362	D713,161	S *	9/2014	Nelson	D6/362
					2009/0139021	A1	6/2009	Cheng	4/578.1
					2010/0031436	A1	2/2010	Corcoran	4/578.1
					2011/0283450	A1	11/2011	Fainberg	4/568

* cited by examiner

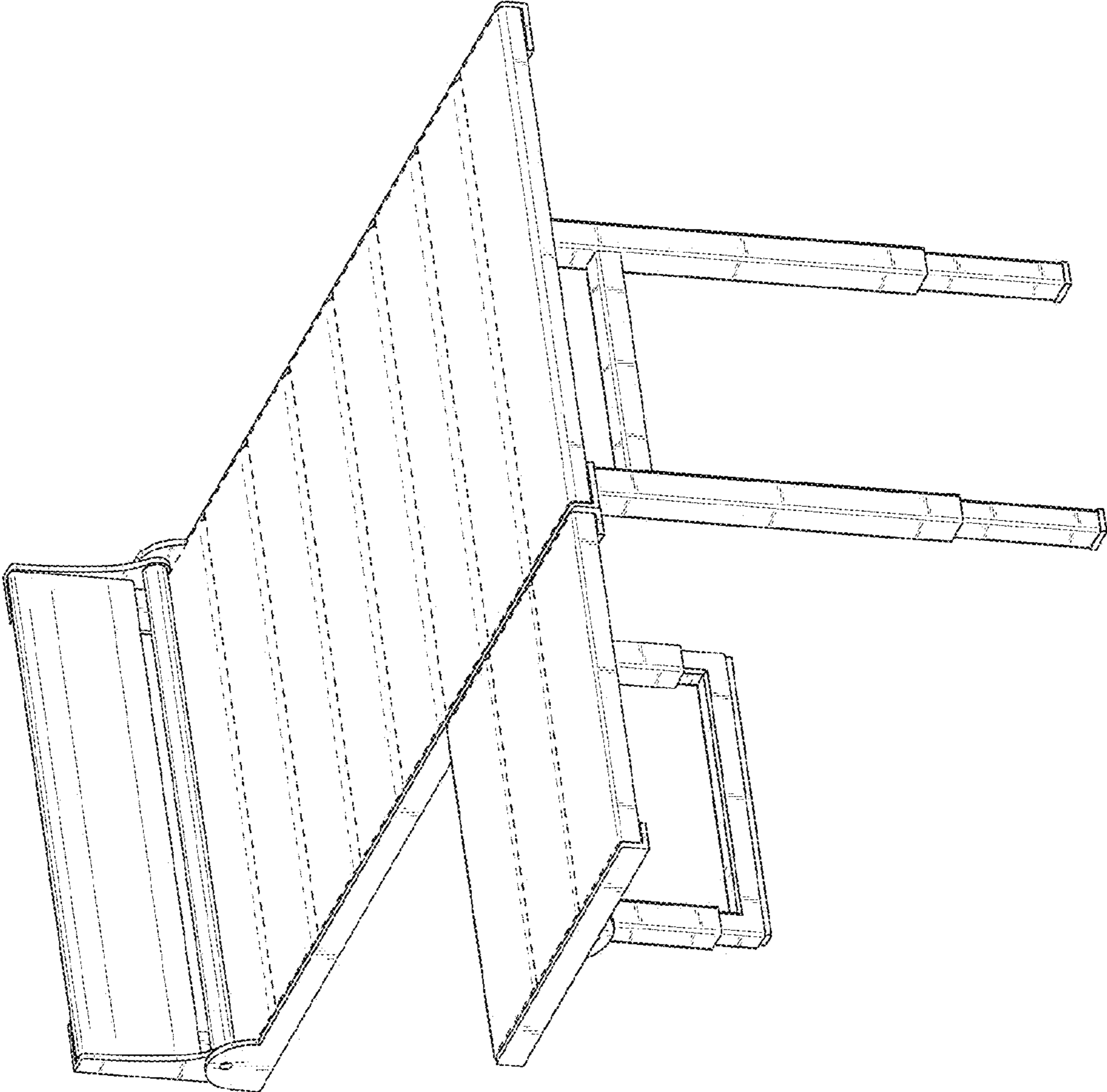


FIG. 1

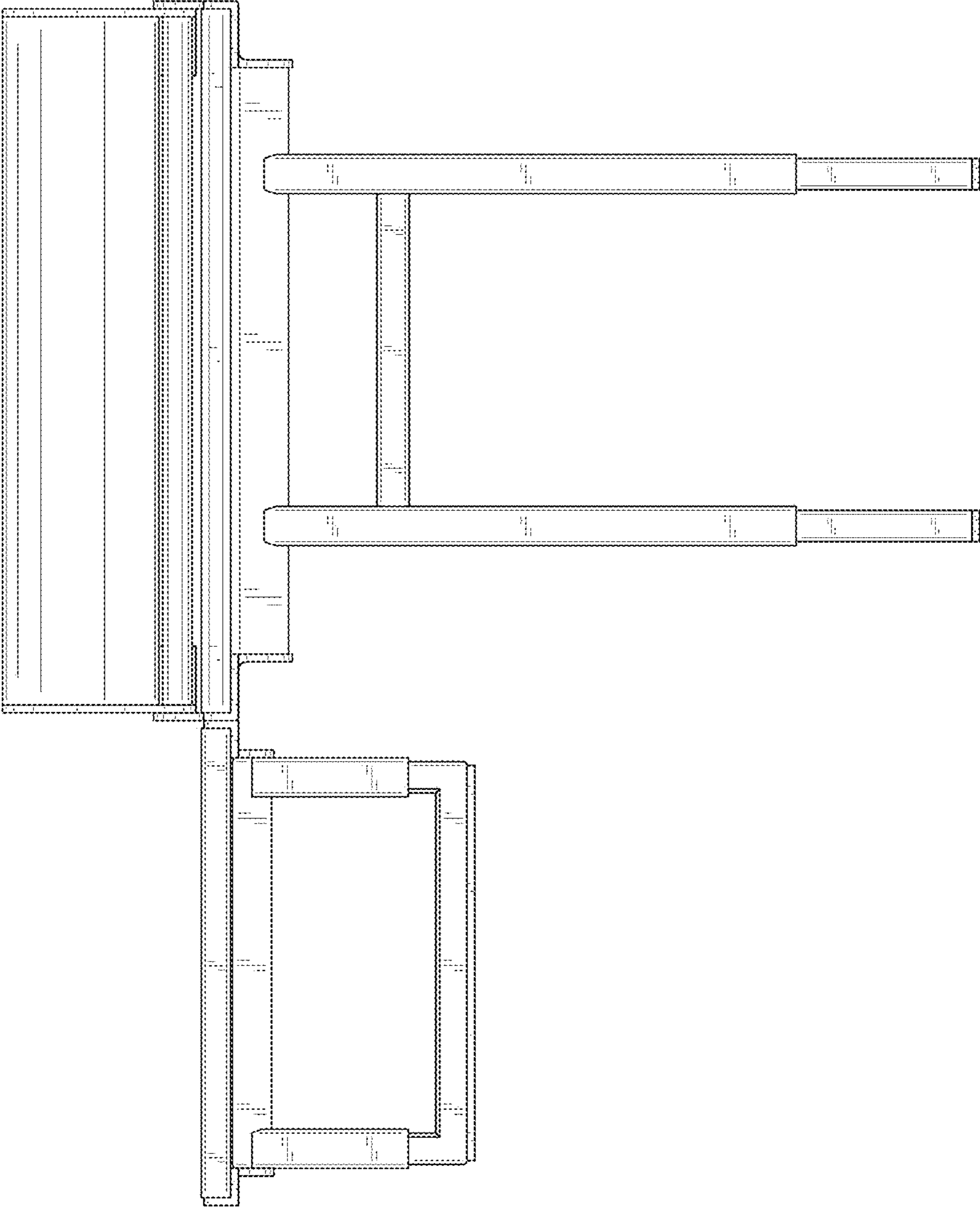


FIG. 2

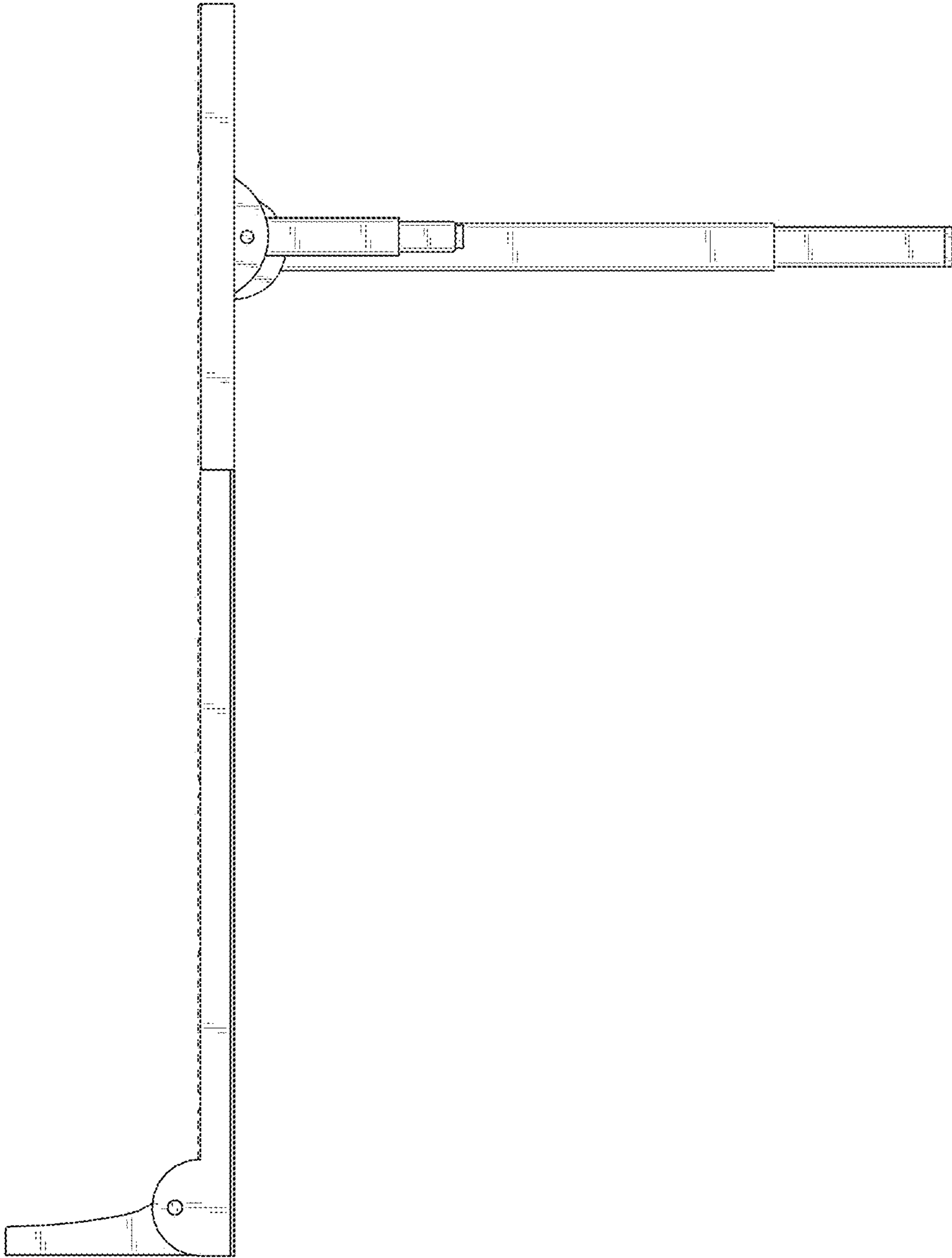


FIG. 3

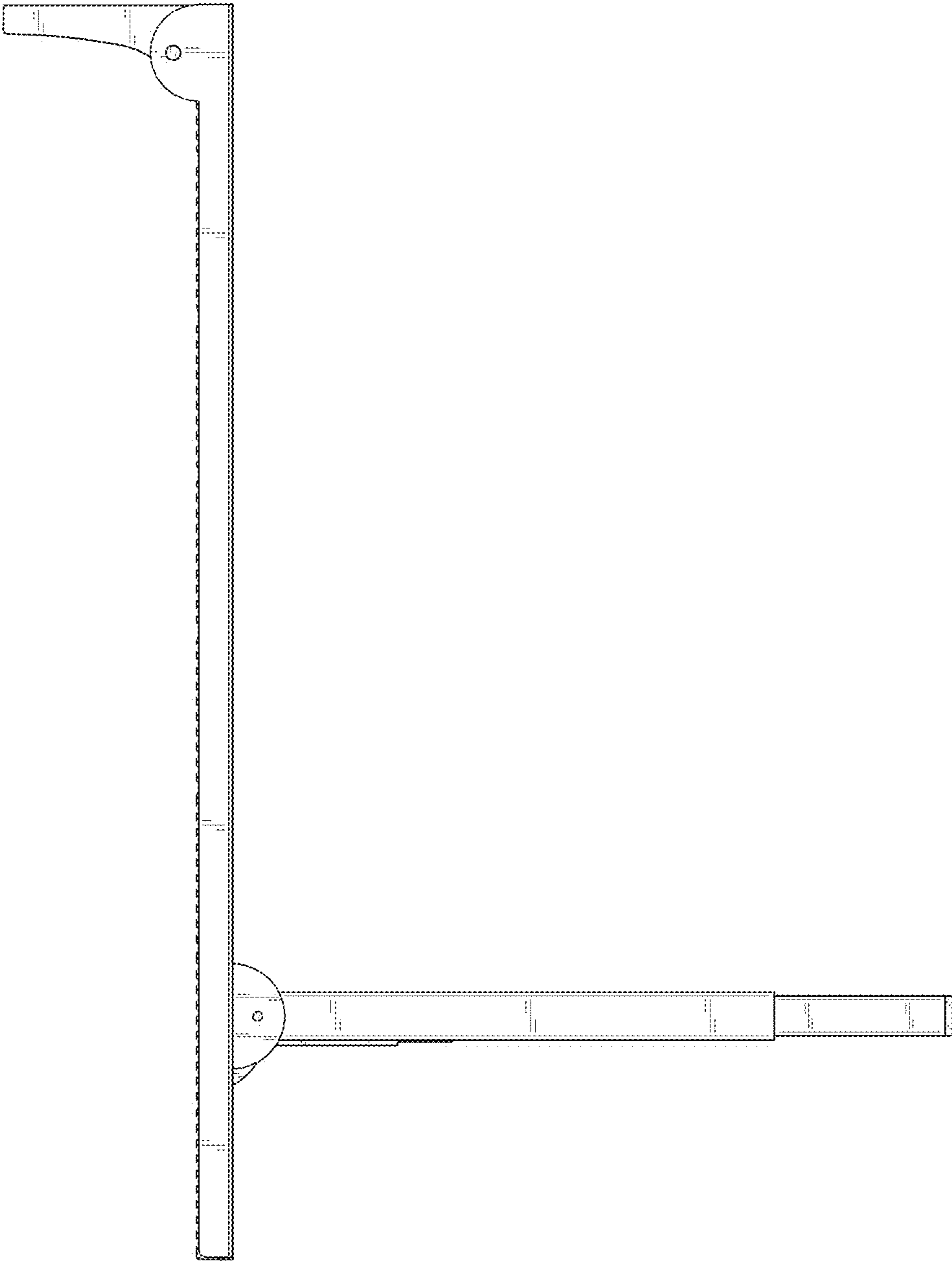


FIG. 4

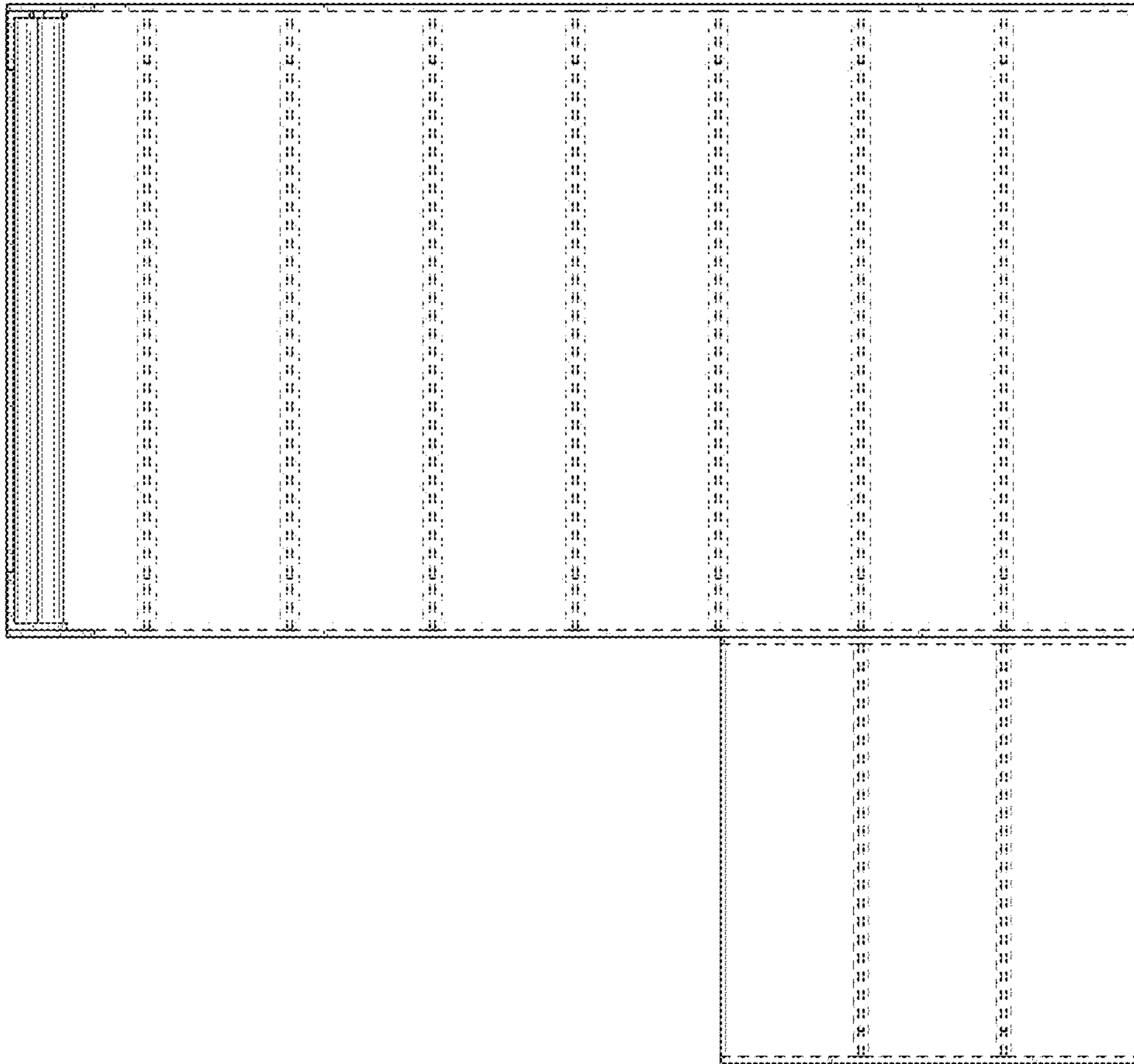


FIG. 5