



US00D734045S

(12) **United States Design Patent**
Thuma et al.

(10) **Patent No.:** **US D734,045 S**
(45) **Date of Patent:** **** *Jul. 14, 2015**

- (54) **ADIRONDACK CHAIR WITH STORAGE**
- (71) Applicant: **Suncast Technologies, LLC**, Palm Beach Gardens, FL (US)
- (72) Inventors: **Michael Thuma**, La Grange, IL (US); **Torrence Anderson**, Overland Park, KS (US); **Michael R. Vogler**, Oswego, IL (US)
- (73) Assignee: **Suncast Technologies, LLC**, Palm Beach Gardens, FL (US)
- (*) Notice: This patent is subject to a terminal disclaimer.
- (**) Term: **14 Years**
- (21) Appl. No.: **29/503,864**
- (22) Filed: **Sep. 30, 2014**
- (51) **LOC (10) Cl.** **06-01**
- (52) **U.S. Cl.**
USPC **D6/336**
- (58) **Field of Classification Search**
USPC D6/334, 335, 336, 379, 381, 369, 349, D6/370; 297/94, 118, 232, 445.1, 448.1, 297/DIG. 7
CPC A47C 17/00; A47C 17/02; A47C 17/12; A47C 17/18; A47C 7/021; A47C 31/00; A47C 3/16
See application file for complete search history.

D399,065	S	*	10/1998	Noll	D6/344
5,902,009	A	*	5/1999	Singh et al.	297/188.1
D420,824	S	*	2/2000	Lin	D6/370
D420,825	S	*	2/2000	Lin	D6/370
D424,315	S	*	5/2000	Jeng	D6/370
D427,788	S	*	7/2000	Paul	D6/336
D432,322	S	*	10/2000	Mandell	D6/336
D440,420	S	*	4/2001	Goldstein	D6/370
D446,399	S	*	8/2001	Slear	D6/370
D466,318	S	*	12/2002	Arnold	D6/370
D466,708	S	*	12/2002	Chau	D6/370
D509,075	S	*	9/2005	Katz et al.	D6/336
D513,369	S	*	1/2006	Cross	D6/370
D535,114	S	*	1/2007	Goldstein	D6/381
D541,547	S	*	5/2007	Goldstein	D6/381
D566,411	S	*	4/2008	Lee	D6/370
D597,336	S	*	8/2009	Anderson et al.	D6/381
D626,250	S	*	10/2010	Wenderow et al.	D24/234
D679,105	S	*	4/2013	Lee	D6/348
D681,972	S	*	5/2013	de los Reyes et al.	D6/370
D694,546	S	*	12/2013	George	D6/381

* cited by examiner

Primary Examiner — Sandra Snapp

(74) *Attorney, Agent, or Firm* — McHale & Slavin P.A.

(57) **CLAIM**

The ornamental design for an adirondack chair with storage, as shown and described.

DESCRIPTION

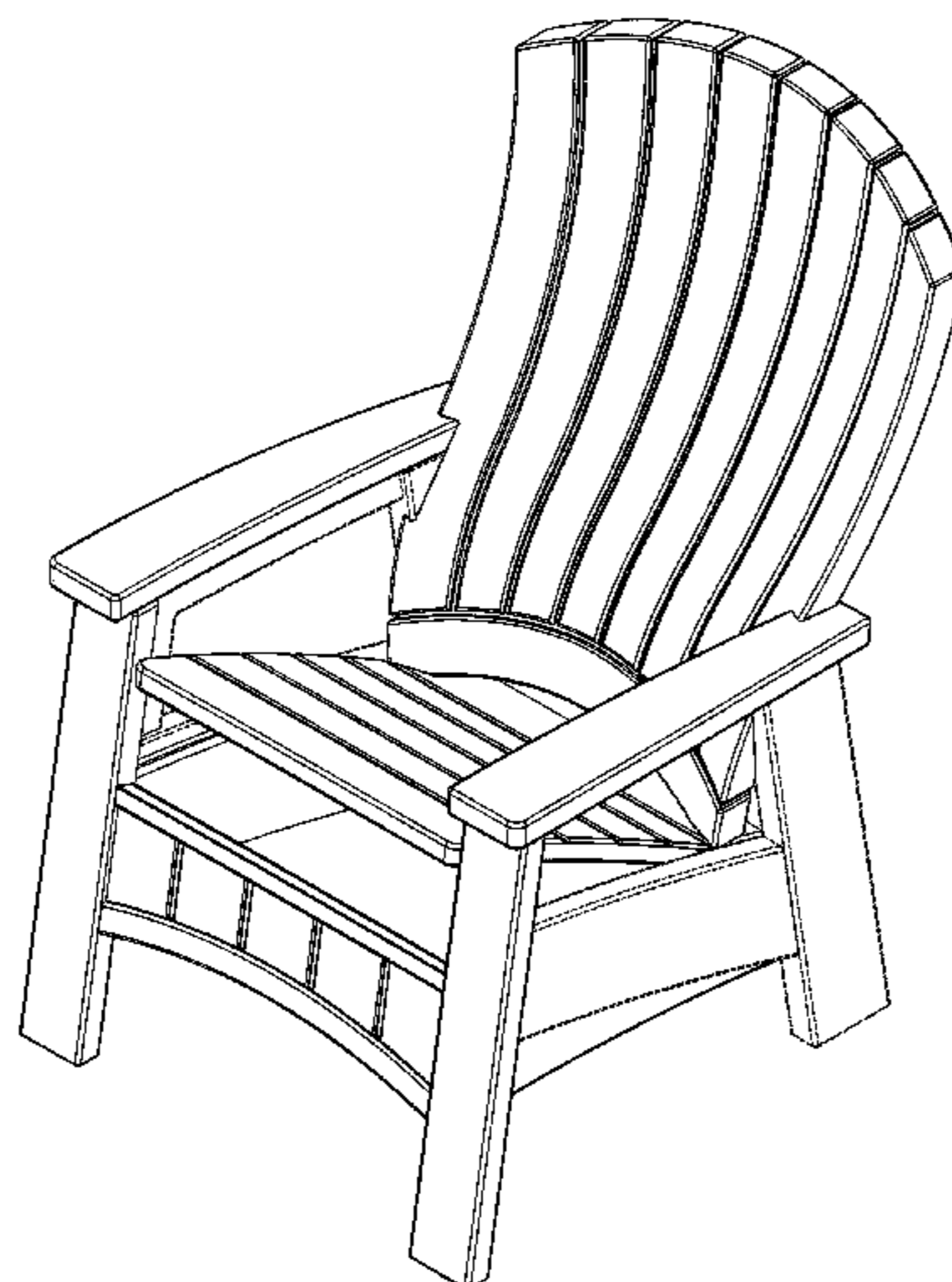
FIG. 1 is a top left perspective view of the adirondack chair with storage of the present invention;
 FIG. 2 is a top right perspective view thereof;
 FIG. 3 is a front view thereof;
 FIG. 4 is a left side view thereof;
 FIG. 5 is a right side view thereof;
 FIG. 6 is a top view thereof; and,
 FIG. 7 is a top left perspective view thereof, illustrated with the seat in an open position.
 The portions of the adirondack chair with storage illustrated in broken lines form no part of the claimed subject matter.

1 Claim, 7 Drawing Sheets

(56) **References Cited**

U.S. PATENT DOCUMENTS

986,686	A	*	3/1911	Carney	297/123
1,691,262	A	*	11/1928	Wurdack	297/411.43
D109,239	S	*	4/1938	Wolpin	D6/370
2,490,884	A	*	12/1949	Rau	297/440.15
D354,173	S	*	1/1995	Escobal et al.	D6/335
D399,064	S	*	10/1998	Noll	D6/344



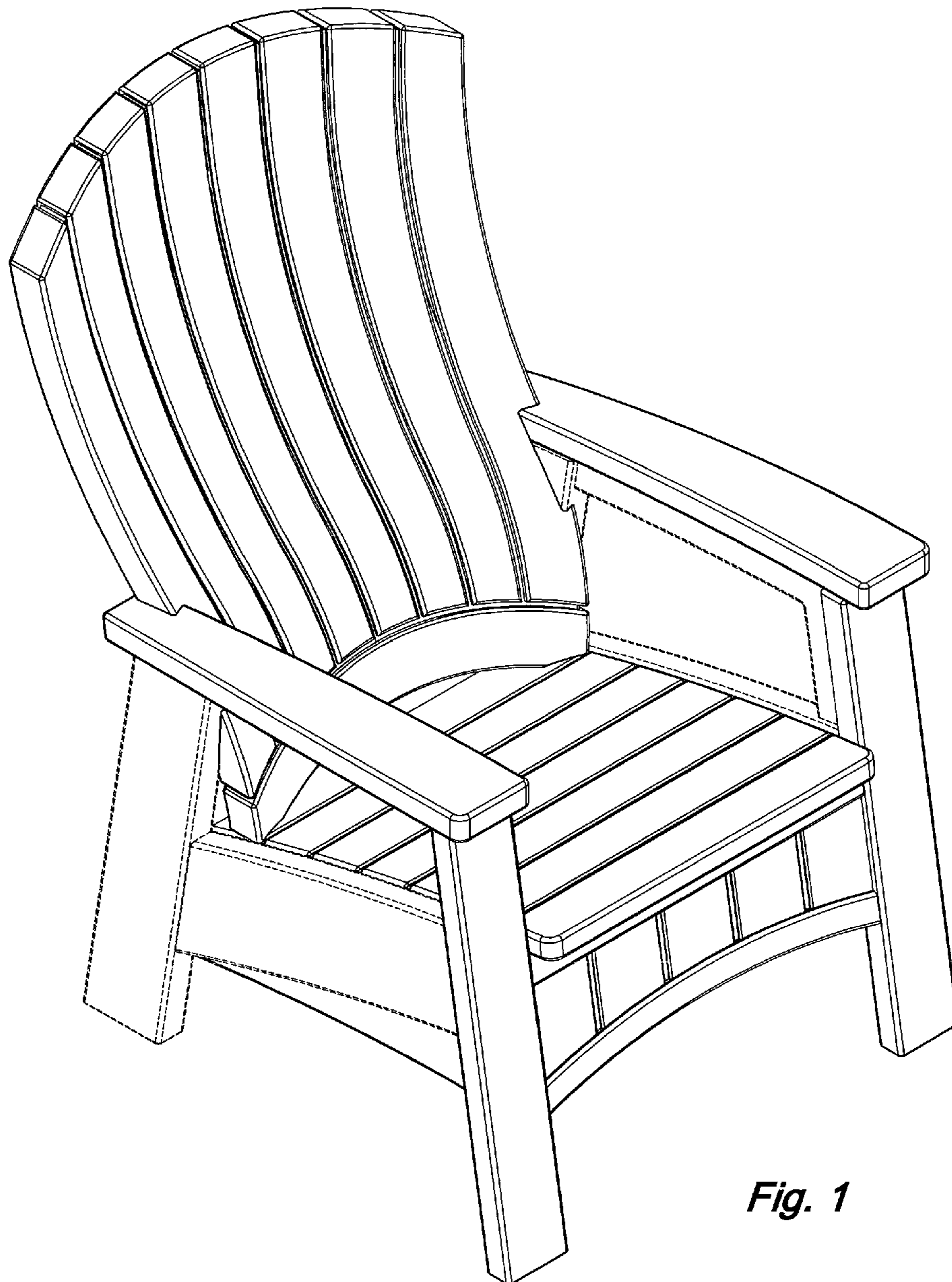


Fig. 1

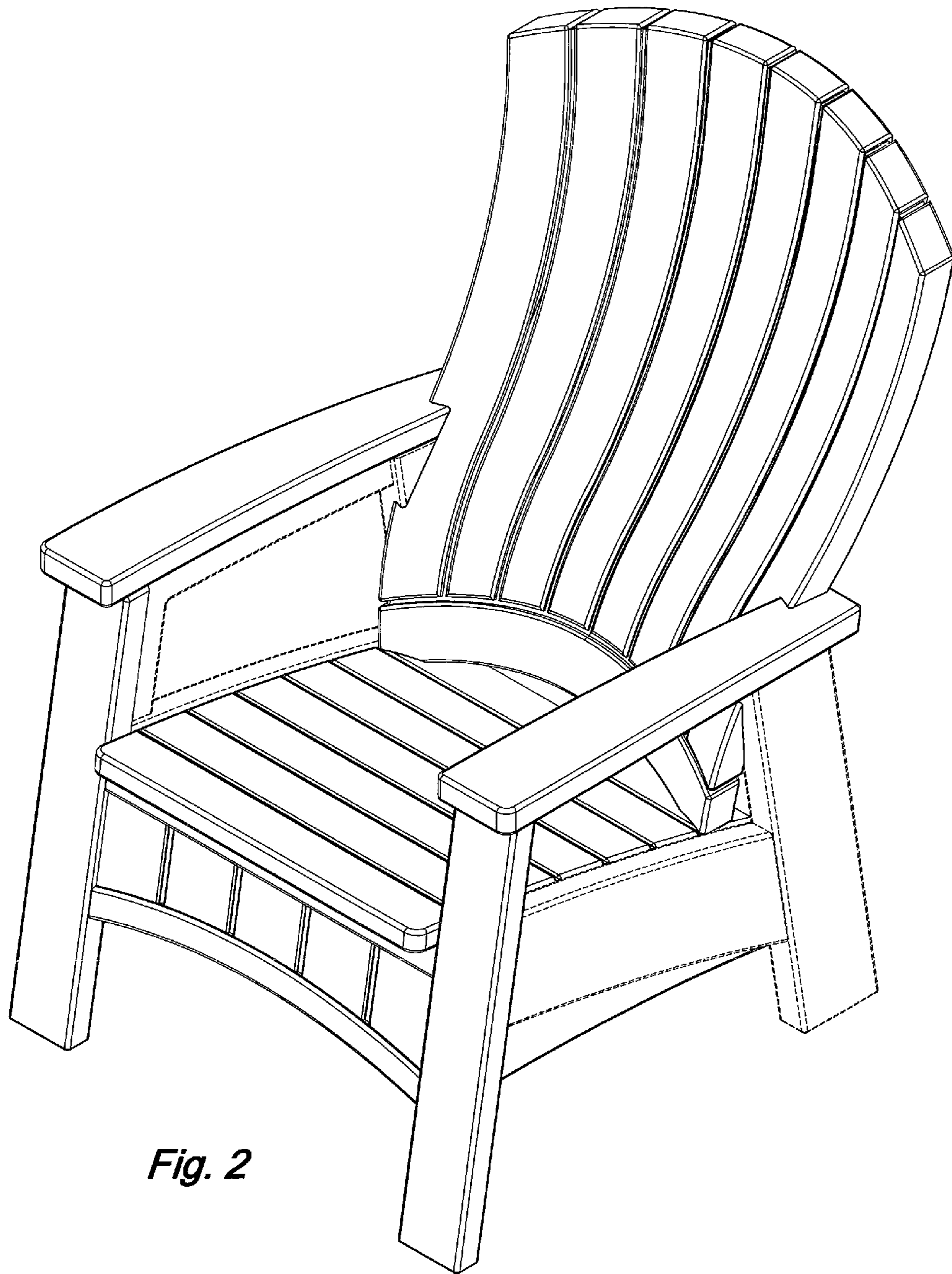


Fig. 2

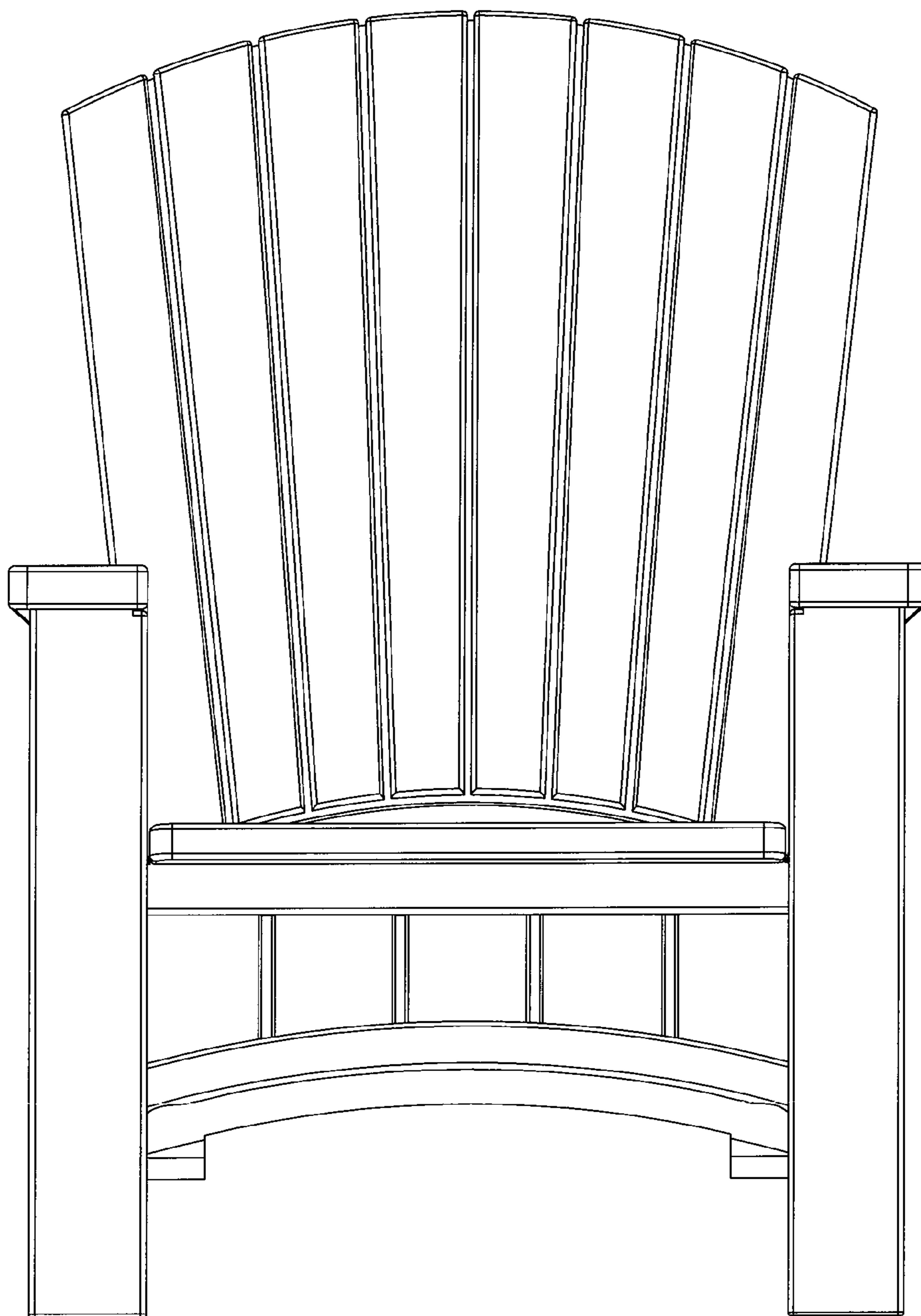


Fig. 3

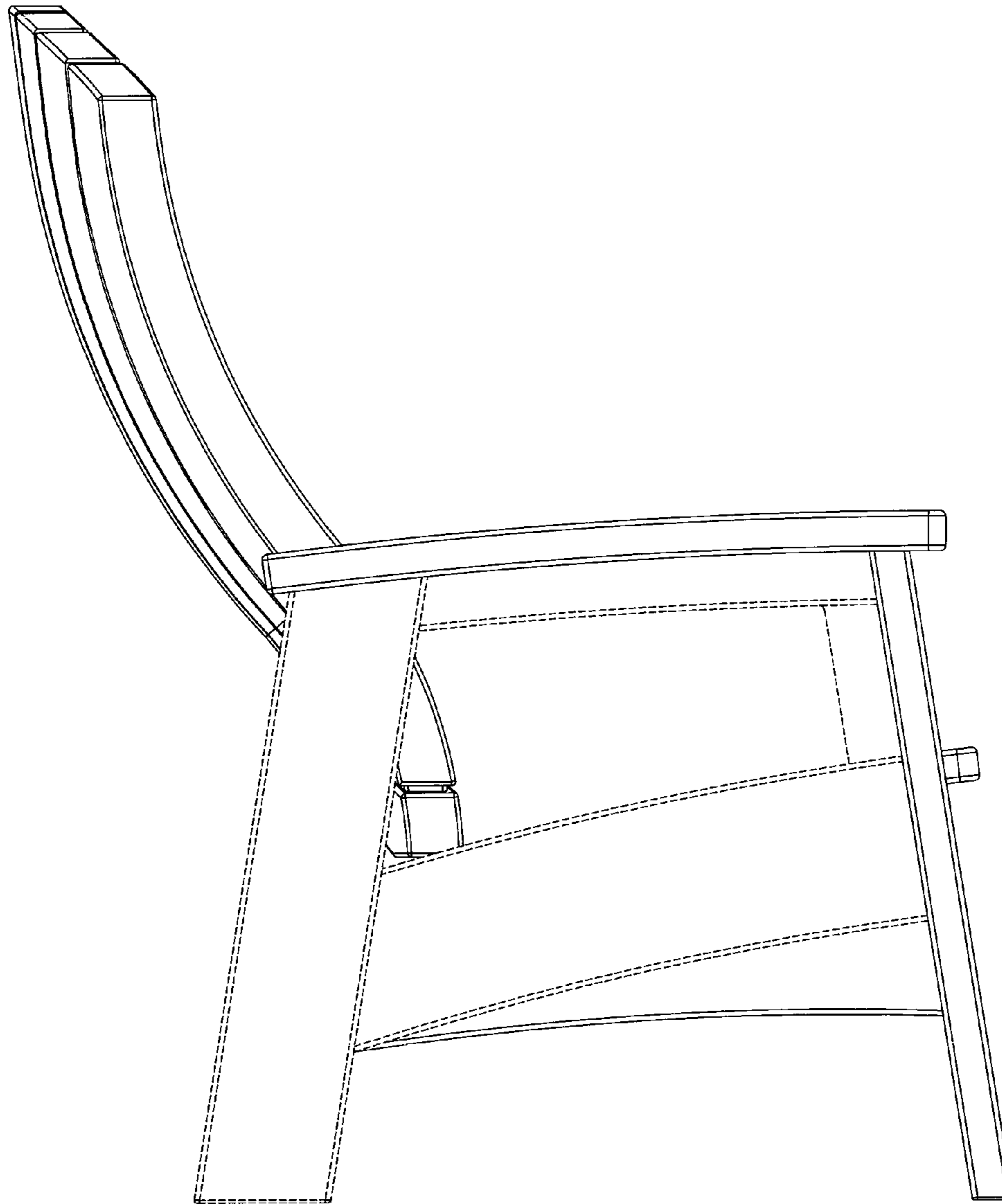


Fig. 4

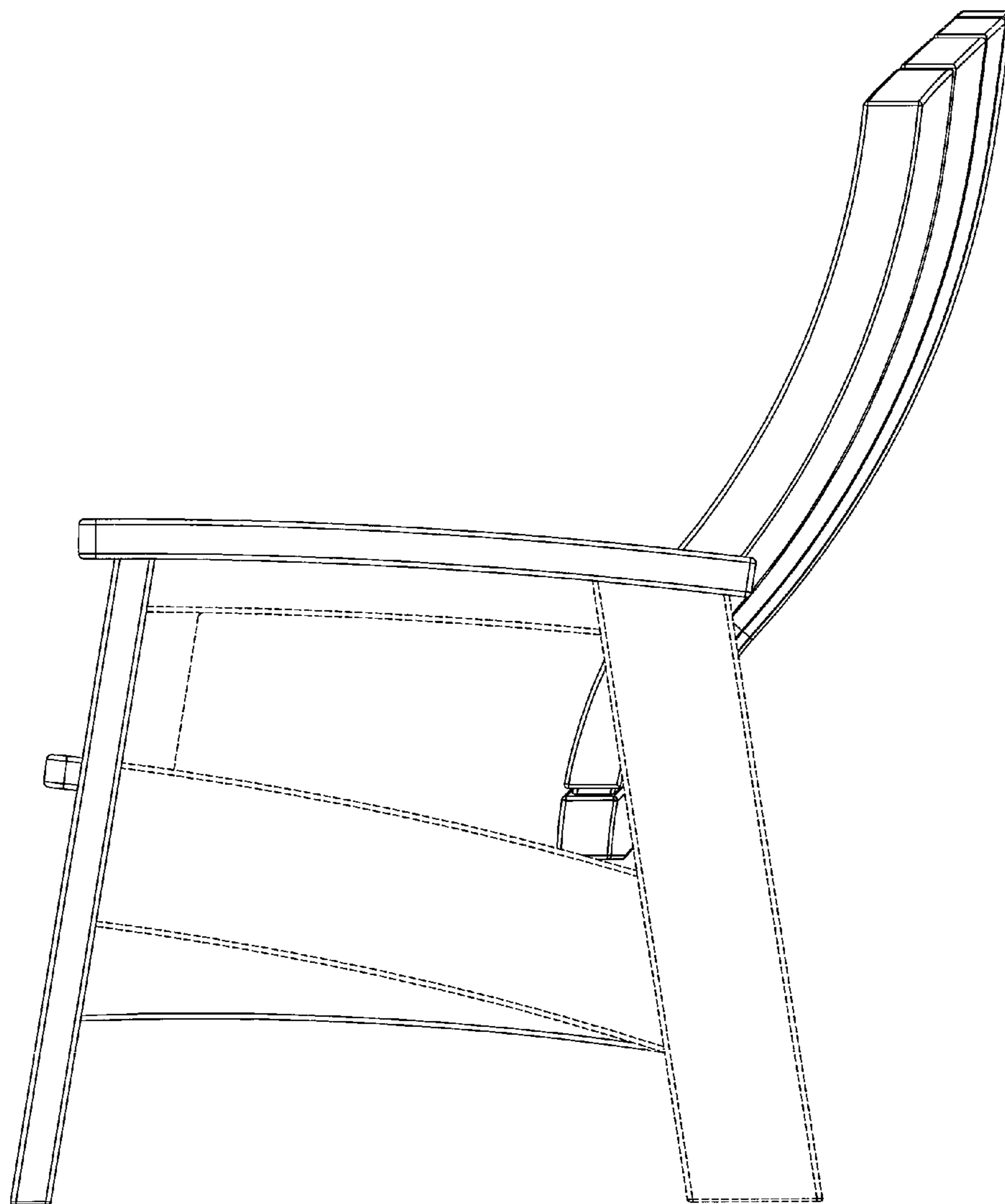


Fig. 5

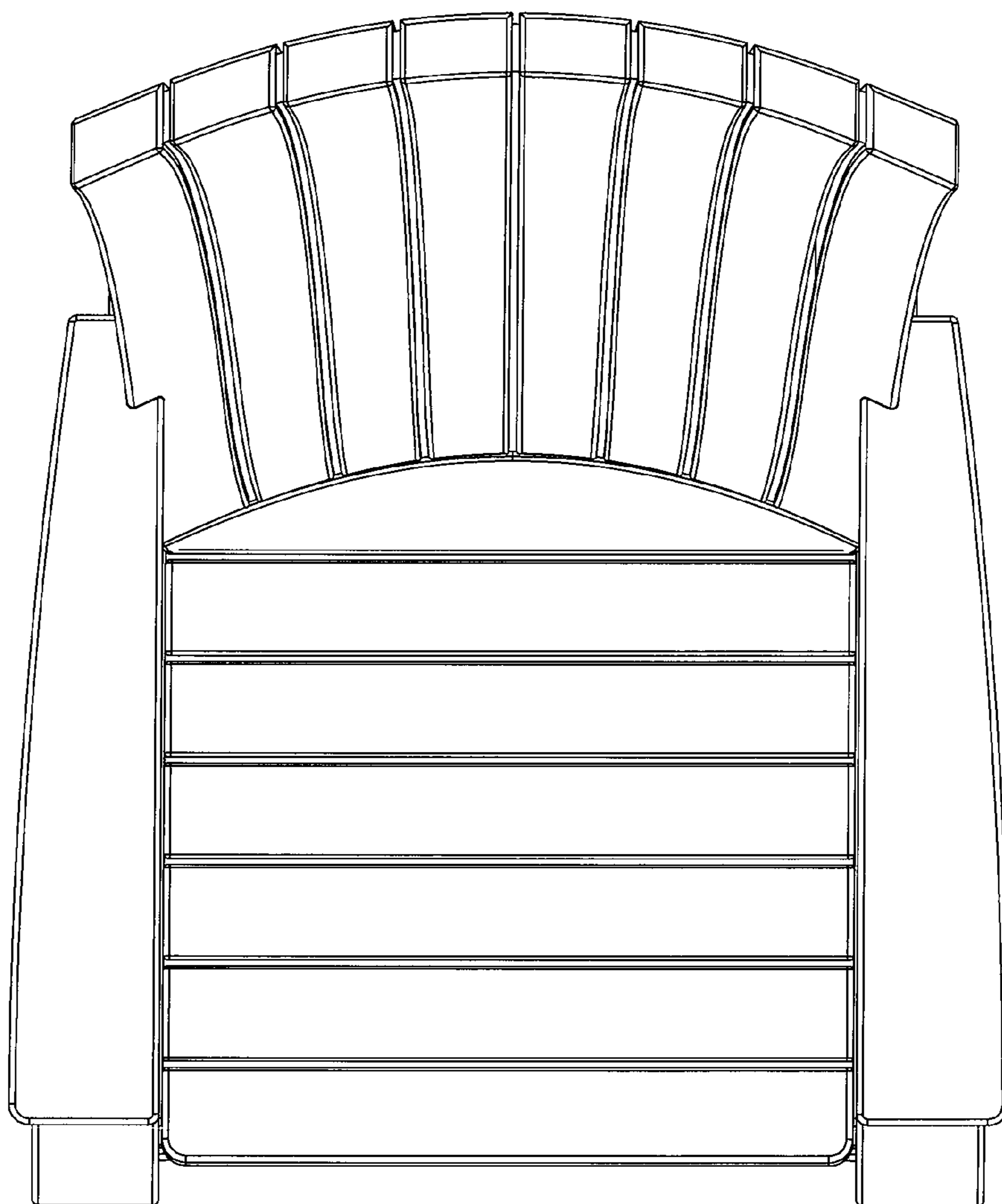


Fig. 6

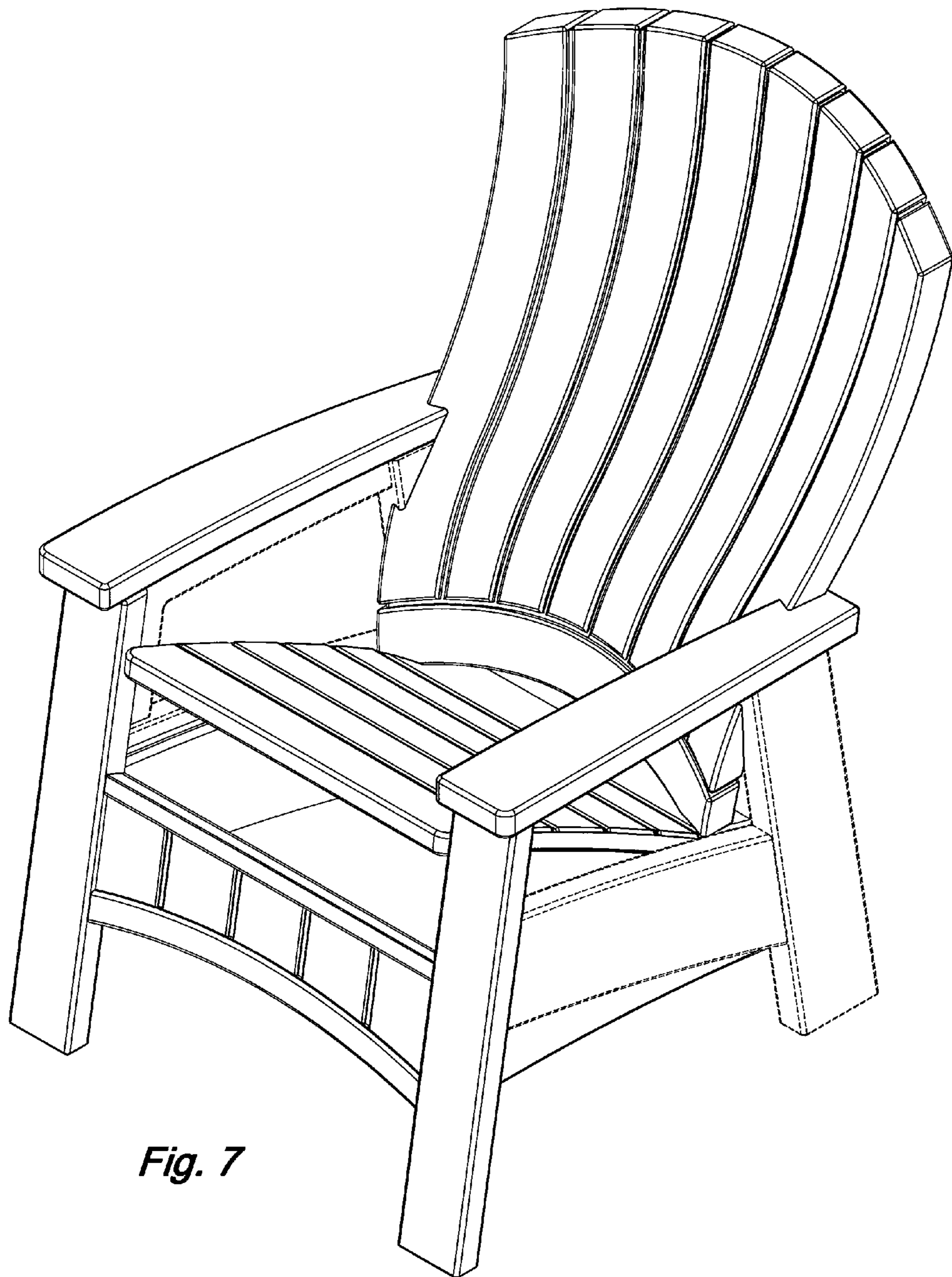


Fig. 7