



US00D734042S

(12) **United States Design Patent**  
**Williams**

(10) **Patent No.:** **US D734,042 S**  
(45) **Date of Patent:** **\*\* Jul. 14, 2015**

(54) **COLLAPSIBLE IRONING CHEST/BENCH**

(71) Applicant: **Rebecca Williams**, Fort Meyers, FL  
(US)

(72) Inventor: **Rebecca Williams**, Fort Meyers, FL  
(US)

(\*\*) Term: **14 Years**

(21) Appl. No.: **29/469,516**

(22) Filed: **Oct. 10, 2013**

(51) **LOC (10) Cl.** ..... **06-01**

(52) **U.S. Cl.**  
USPC ..... **D6/336**

(58) **Field of Classification Search**  
USPC ..... D6/334, 335, 336, 379, 381, 369, 349,  
D6/355; 297/94, 118, 232, 445.1, 448.1,  
297/DIG. 7; D32/66  
CPC ..... A47C 17/00; A47C 17/02; A47C 17/12;  
A47C 17/18; A47C 7/021; A47C 31/00;  
A47C 3/16  
See application file for complete search history.

(56) **References Cited**

**U.S. PATENT DOCUMENTS**

2,667,398 A \* 1/1954 Claffin ..... 312/265  
D316,169 S \* 4/1991 Bryan et al. .... D32/66

D330,986 S \* 11/1992 Lau ..... D6/555  
D427,788 S \* 7/2000 Paul ..... D6/336  
D468,915 S \* 1/2003 Talbott et al. .... D6/336  
D483,190 S \* 12/2003 Richardson ..... D6/336  
D502,023 S \* 2/2005 Anderson et al. .... D6/440  
D509,075 S \* 9/2005 Katz et al. .... D6/336  
7,243,674 B2 \* 7/2007 Devine ..... 137/375  
D597,272 S \* 7/2009 Auguste ..... D32/66  
D608,515 S \* 1/2010 Park et al. .... D32/66  
D674,616 S \* 1/2013 Frankel ..... D6/349

\* cited by examiner

*Primary Examiner* — Sandra Snapp

(74) *Attorney, Agent, or Firm* — San Diego IP Law Group  
LLP

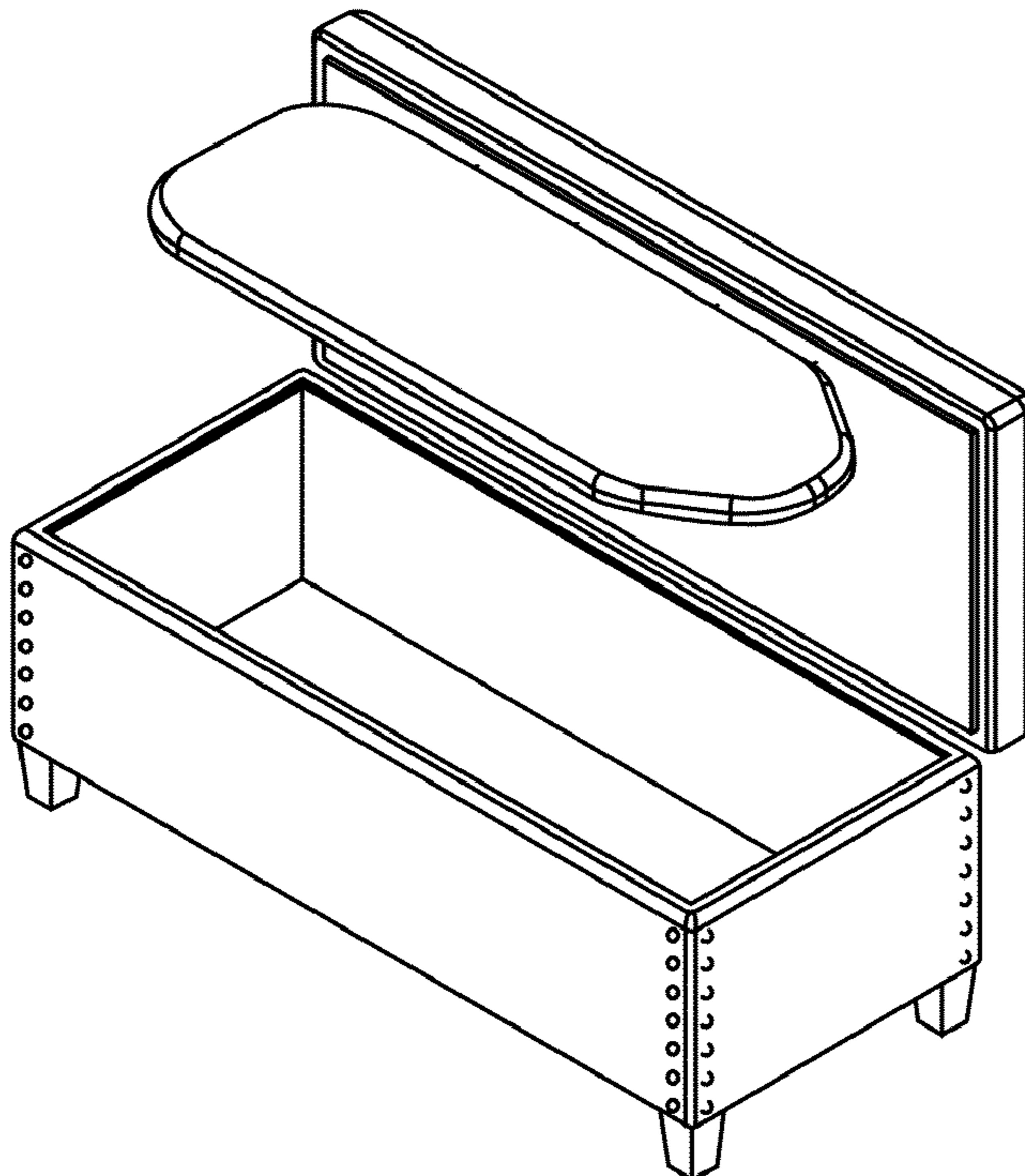
(57) **CLAIM**

I claim the ornamental design for a collapsible ironing chest/  
bench, as shown and described.

**DESCRIPTION**

FIG. 1 is a top view of the collapsible ironing chest/bench  
showing the ironing board in an extended position;  
FIG. 2 is a front perspective view thereof;  
FIG. 3 is a front elevation view thereof;  
FIG. 4 is a top plan view of the collapsible ironing chest/  
bench showing the ironing board in a collapsed position;  
FIG. 5 is a front perspective view thereof; and,  
FIG. 6 is a front elevation view thereof.

**1 Claim, 2 Drawing Sheets**



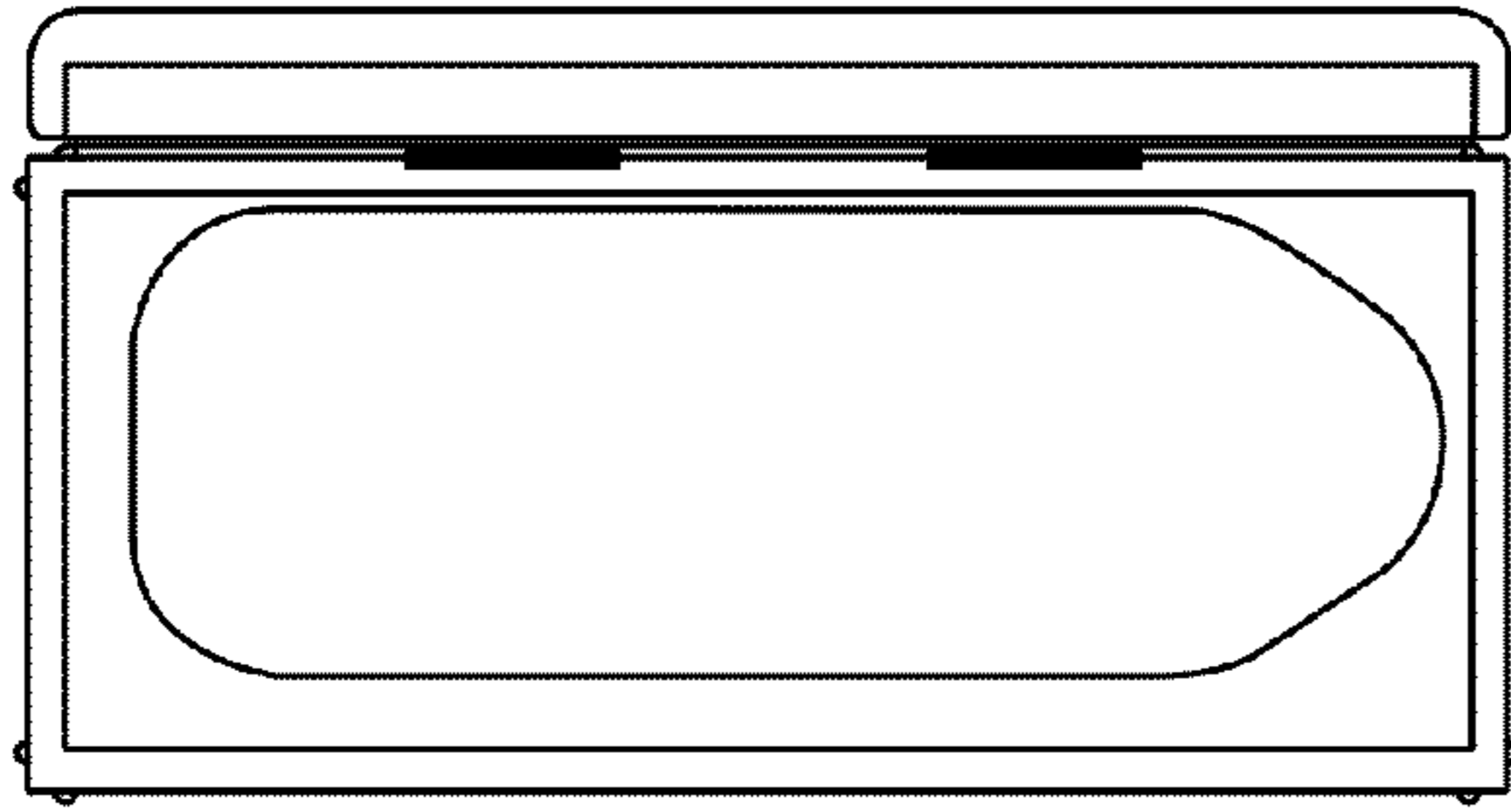


FIG. 1

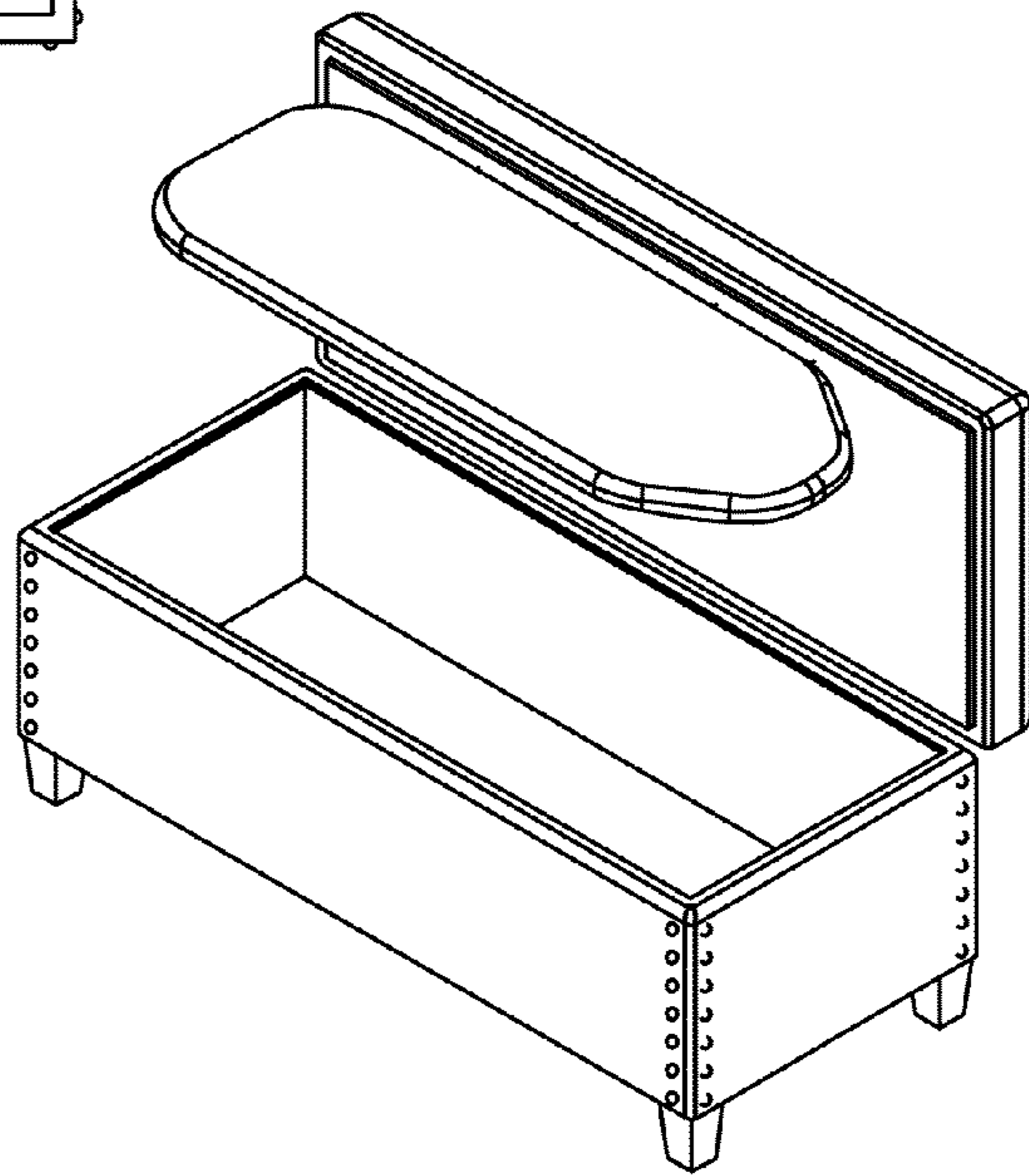


FIG. 2

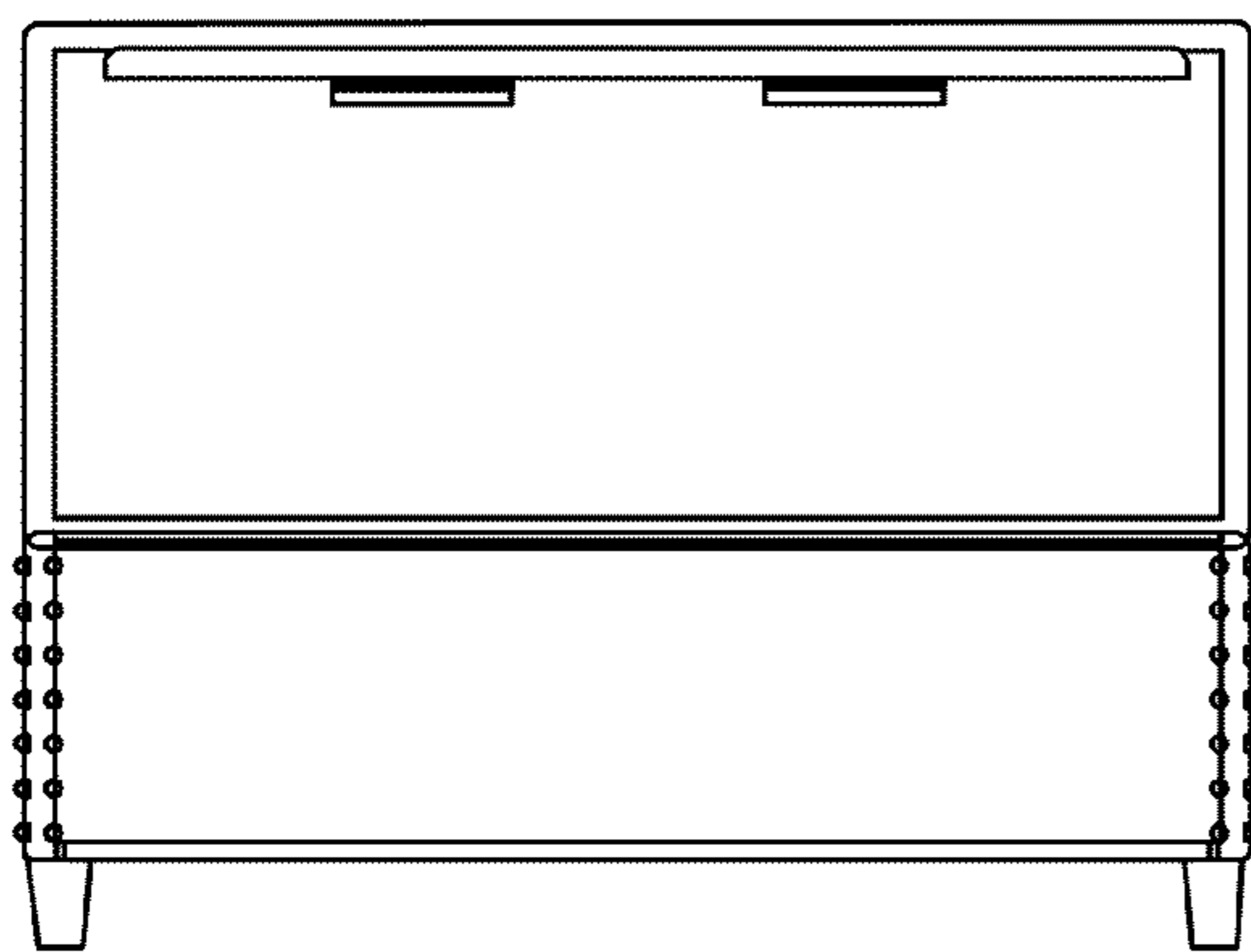


FIG. 3

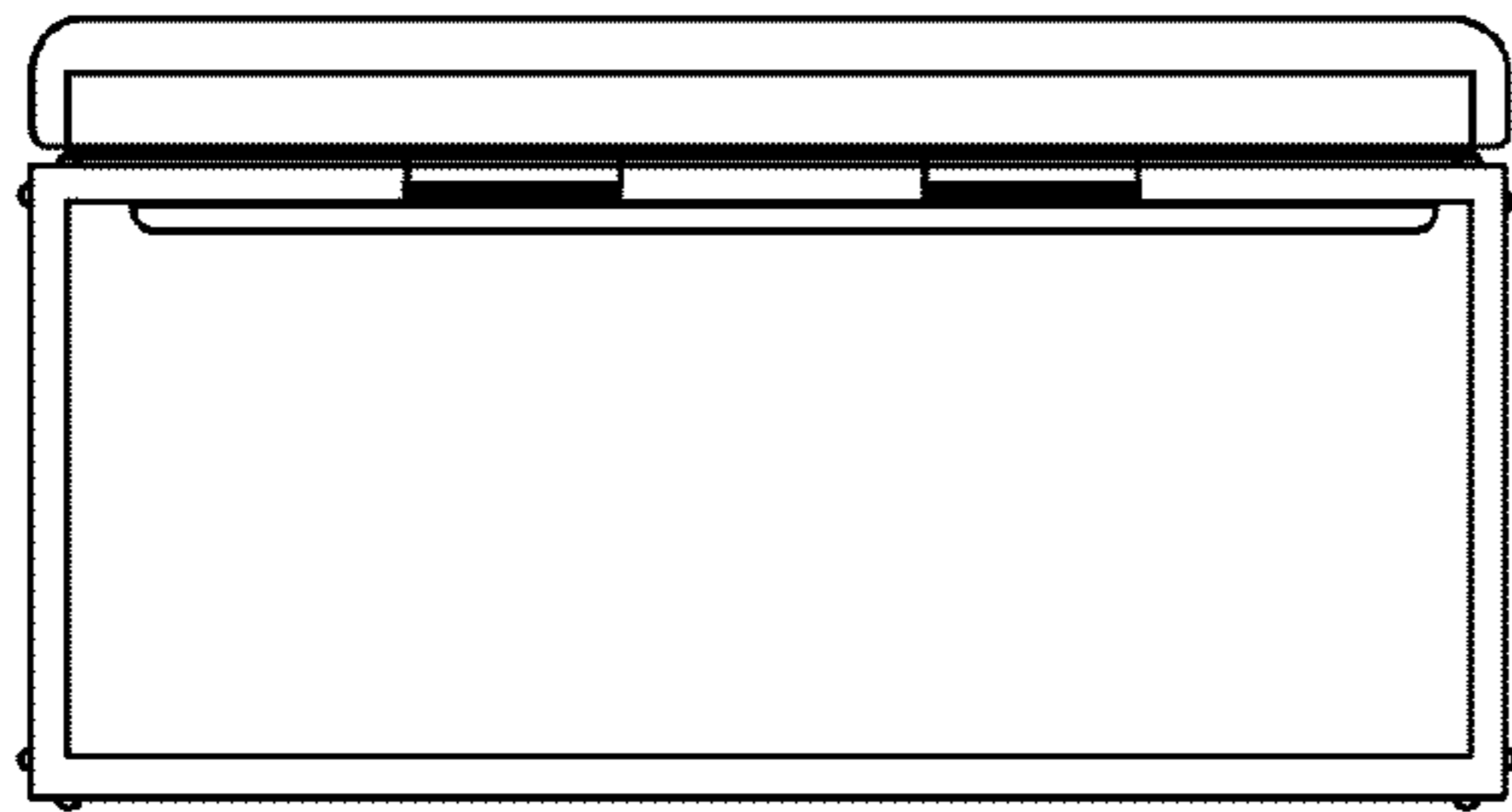


FIG. 4

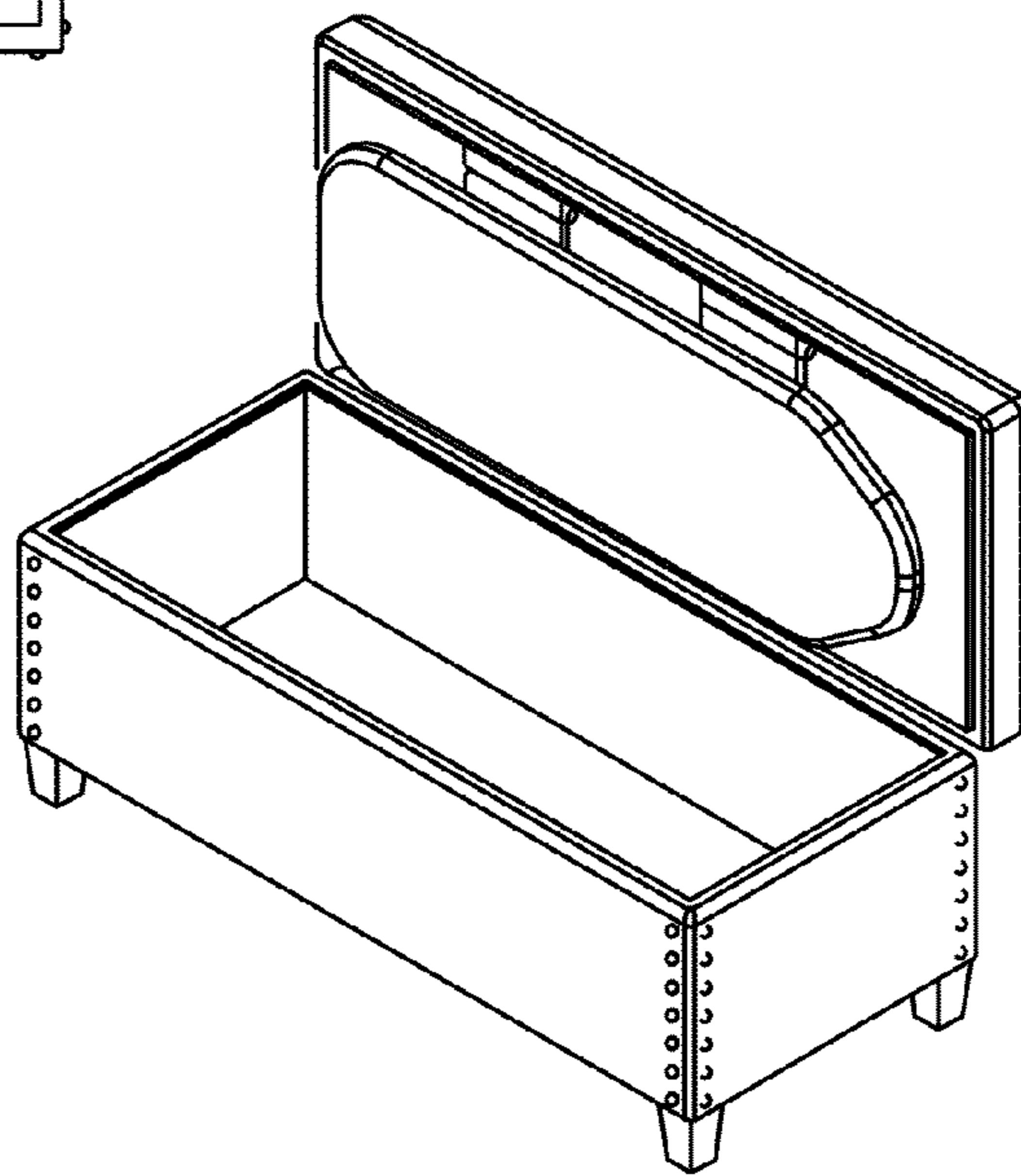


FIG. 5

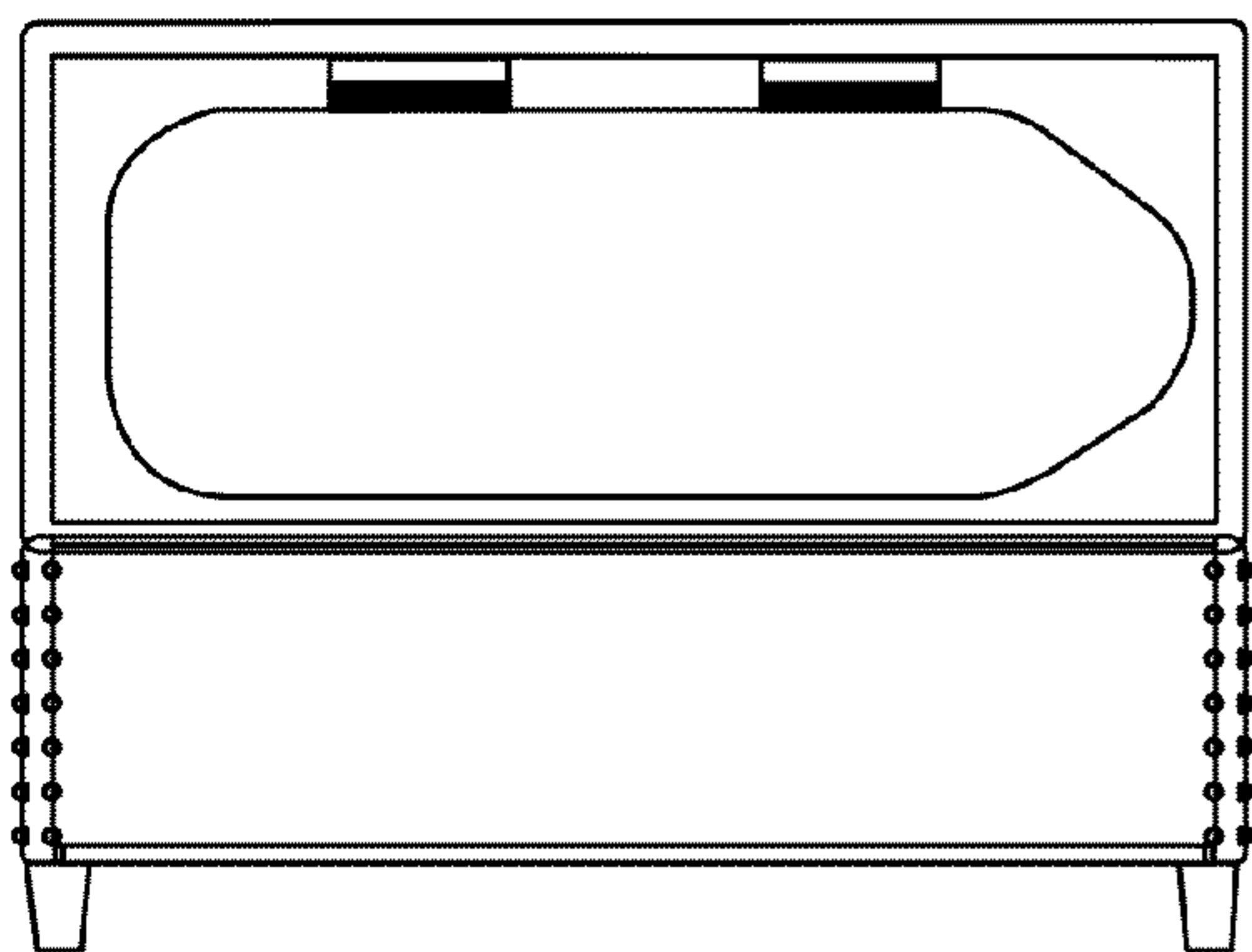


FIG. 6