



US00D734038S

(12) **United States Design Patent**
Suher

(10) **Patent No.:** **US D734,038 S**

(45) **Date of Patent:** **** Jul. 14, 2015**

(54) **LAUNCHER CLEANING BRUSH**
(71) Applicant: **Frank Roy Suher**, Wildwood, MO (US)
(72) Inventor: **Frank Roy Suher**, Wildwood, MO (US)
(**) Term: **14 Years**

(21) Appl. No.: **29/442,347**
(22) Filed: **Feb. 12, 2013**
(51) **LOC (10) Cl.** **04-01**
(52) **U.S. Cl.**
USPC **D4/120; D4/106**
(58) **Field of Classification Search**
USPC D4/104-106, 119, 120, 134; 15/106,
15/107, 167.2
CPC A46B 5/0004; A46B 5/0008; A46B
5/00012; A46B 5/0016; A46B 9/00; A46B
9/02; A46B 9/04; A46B 9/045; A46B
2200/1066
See application file for complete search history.

(56) **References Cited**

U.S. PATENT DOCUMENTS

D46,650 S * 11/1914 Lavenson D4/106
D266,280 S * 9/1982 Toyama D28/99
D377,715 S * 2/1997 Baldwin D4/104
D381,808 S * 8/1997 Hoshizaki D4/104
D387,204 S * 12/1997 Nicholson D4/104

D424,307 S * 5/2000 Spriggs D4/134
D542,541 S * 5/2007 Lowsky, Jr. D4/106
2008/0109976 A1* 5/2008 Sanabia 15/106

FOREIGN PATENT DOCUMENTS

CA 549168 A * 11/1957
KR 154421 S * 9/1994

* cited by examiner

Primary Examiner — Melanie H Tung
Assistant Examiner — Lavone D Tabor

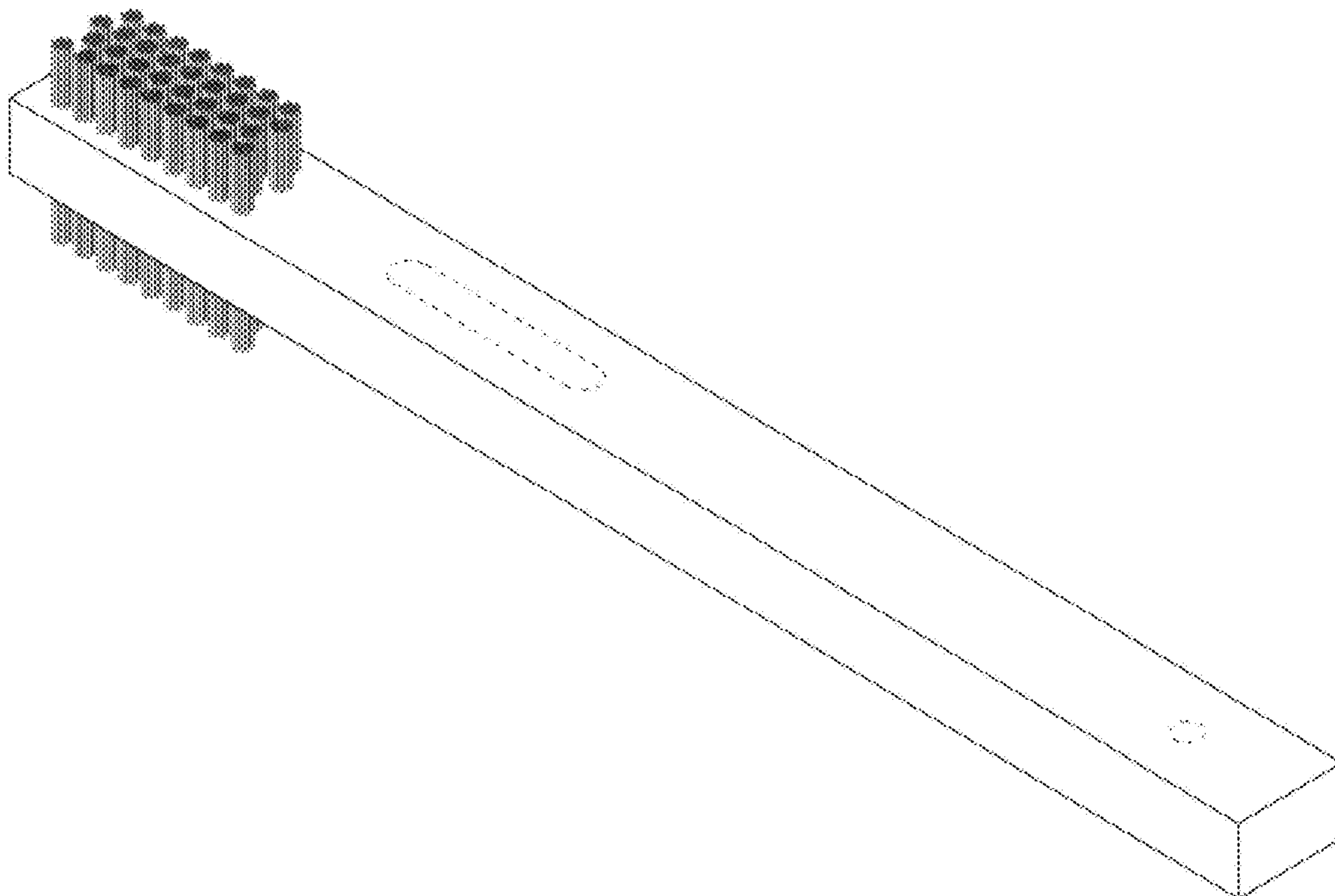
(57) **CLAIM**

The ornamental design for a launcher cleaning brush, as shown and described.

DESCRIPTION

FIG. 1 is a perspective view of a launcher cleaning brush showing my new design;
FIG. 2 is a front view thereof;
FIG. 3 is a right side view thereof;
FIG. 4 is a rear view thereof;
FIG. 5 is a left side view thereof;
FIG. 6 is a top view thereof; and,
FIG. 7 is a bottom view thereof.
The broken lines shown in FIGS. 1, 2, and 4 represents the bounds of the claim and form no part thereof.

1 Claim, 4 Drawing Sheets



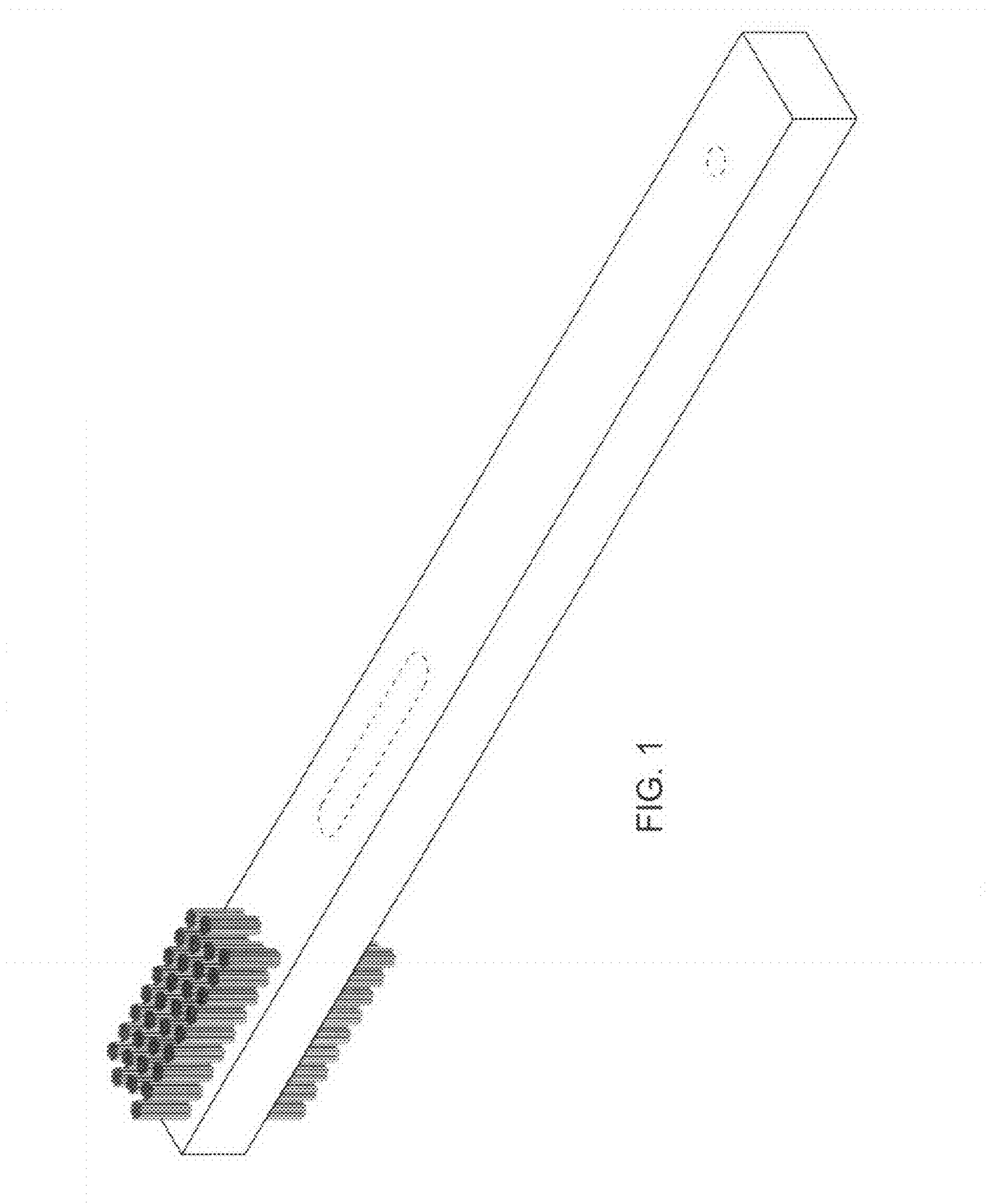


FIG. 1

FIG. 2

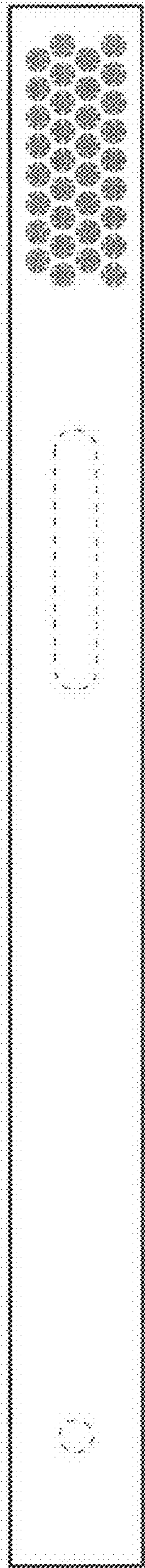


FIG. 3

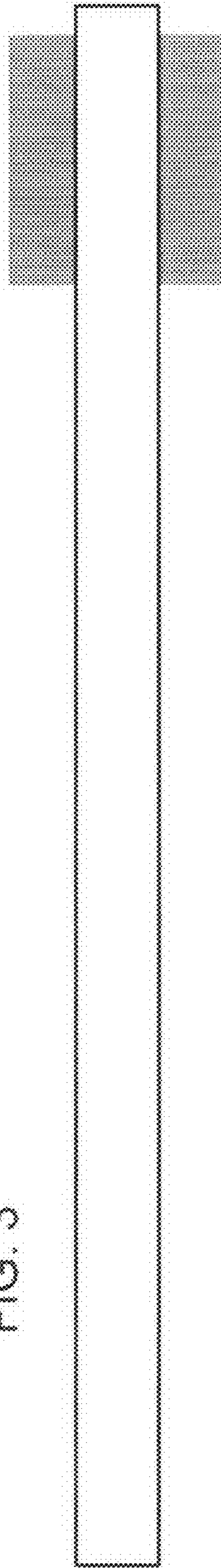


FIG. 4

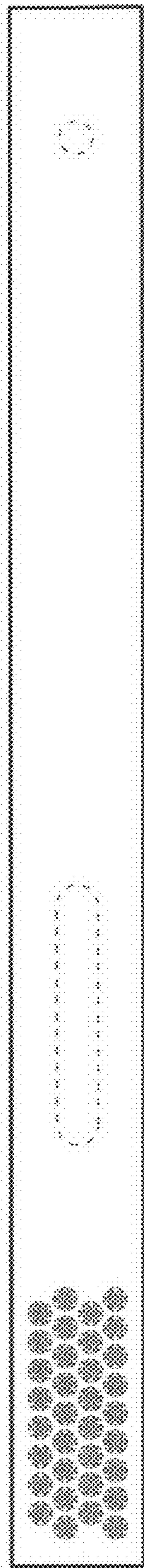


FIG. 5

