



US00D734036S

(12) **United States Design Patent**  
**VanBuuren et al.**

(10) **Patent No.:** **US D734,036 S**  
(45) **Date of Patent:** **\*\* Jul. 14, 2015**

(54) **CONTAINER**

(75) Inventors: **Darren VanBuuren**, Grassie (CA);  
**Burton Mark Wood**, Lindsay (CA)

(73) Assignee: **Poly Dome Ontario Inc.** (CA)

(\*\*) Term: **14 Years**

(21) Appl. No.: **29/409,462**

(22) Filed: **Dec. 22, 2011**

(51) **LOC (10) Cl.** ..... **03-01**

(52) **U.S. Cl.**

USPC ..... **D3/314**

(58) **Field of Classification Search**

USPC ..... D3/304, 307-314; D8/320; D9/432,  
D9/443; 206/503, 507, 510; 220/676, 752,  
220/755, 771, 913

See application file for complete search history.

(56) **References Cited**

**U.S. PATENT DOCUMENTS**

D193,952 S \* 10/1962 Reifers ..... D9/425  
3,837,526 A \* 9/1974 Medendorp ..... 220/782

(Continued)

**OTHER PUBLICATIONS**

Flexahopper Plastics Ltd; Products; accessed on Oct. 31, 2012; www.  
flexahopper.com/products/fishing.

(Continued)

*Primary Examiner* — Kelley Donnelly

(74) *Attorney, Agent, or Firm* — Steven Greenberg; CRGO  
Law

(57) **CLAIM**

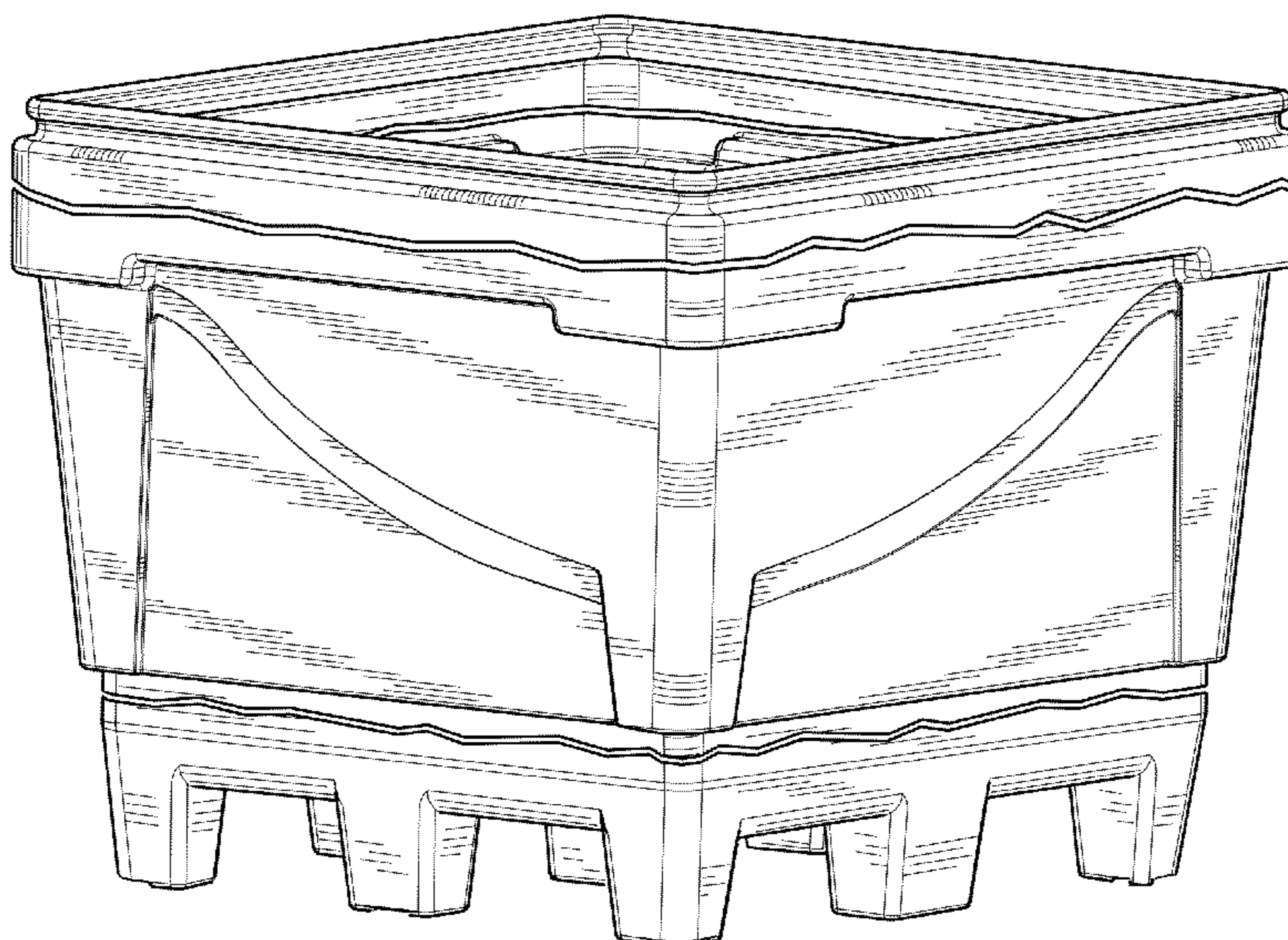
The ornamental design for a container, as shown and described.

**DESCRIPTION**

FIG. 1 is a top perspective view of a first embodiment of a container according to our invention; FIG. 2 is a bottom perspective view of the container of FIG. 1; FIG. 3 is a first side view of the container of FIG. 1; FIG. 4 is a second side view of the container of FIG. 1; FIG. 5 is a top plan view of the container of FIG. 1; FIG. 6 is a bottom plan view of the container of FIG. 1; FIG. 7 is a top perspective view of a second embodiment of a container according to our invention; FIG. 8 is a bottom perspective view of the container of FIG. 7; FIG. 9 is a first side view of the container of FIG. 7; FIG. 10 is a second side view of the container of FIG. 7; FIG. 11 is a top plan view of the container of FIG. 7; FIG. 12 is a bottom plan view of the container of FIG. 7; FIG. 13 is an enlargement of a first portion of the bottom perspective view shown in FIG. 2; FIG. 14 is an enlargement of a second portion of the bottom perspective view shown in FIG. 2; FIG. 15 is an enlargement of a first portion of the bottom perspective view shown in FIG. 8; FIG. 16 is an enlargement of a second portion of the bottom perspective view shown in FIG. 8; FIG. 17 is an enlargement of a portion of the bottom plan view shown in FIG. 6; and, FIG. 18 is an enlargement of a portion of the bottom plan view shown in FIG. 12.

The container of FIGS. 1-4 and 7-10 is shown in the views with portions broken away to indicate indeterminate length; the precise length of the upper and lower portions of the container is not claimed. The broken lines show unclaimed subject matter only and form no part of the claimed design. The chain-dot lines in FIGS. 2, 6, 8 and 12 indicate the portions of those figures shown in enlarged form in FIGS. 13-14, 17, 15-16 and 18, respectively.

**1 Claim, 16 Drawing Sheets**



(56)

**References Cited**

U.S. PATENT DOCUMENTS

D281,226 S \* 11/1985 Amabili ..... D9/757  
 D302,620 S \* 8/1989 Quong ..... D3/314  
 D311,799 S \* 10/1990 Embree et al. .... D3/294  
 5,018,623 A \* 5/1991 Hrenyo ..... 206/557  
 D320,298 S \* 9/1991 Apps et al. .... D3/312  
 D342,896 S \* 1/1994 Gottofredi ..... D9/425  
 D359,850 S \* 7/1995 Staubitz et al. .... D3/314  
 D361,035 S \* 8/1995 Krupa ..... D9/424  
 D361,036 S \* 8/1995 Krupa ..... D9/424  
 D361,715 S \* 8/1995 Hauptert ..... D9/424  
 D380,381 S \* 7/1997 Krupa et al. .... D9/425  
 D397,610 S \* 9/1998 Cooper ..... D9/425  
 D399,737 S \* 10/1998 Zuhlke et al. .... D9/423  
 D486,644 S \* 2/2004 Claypool ..... D3/304

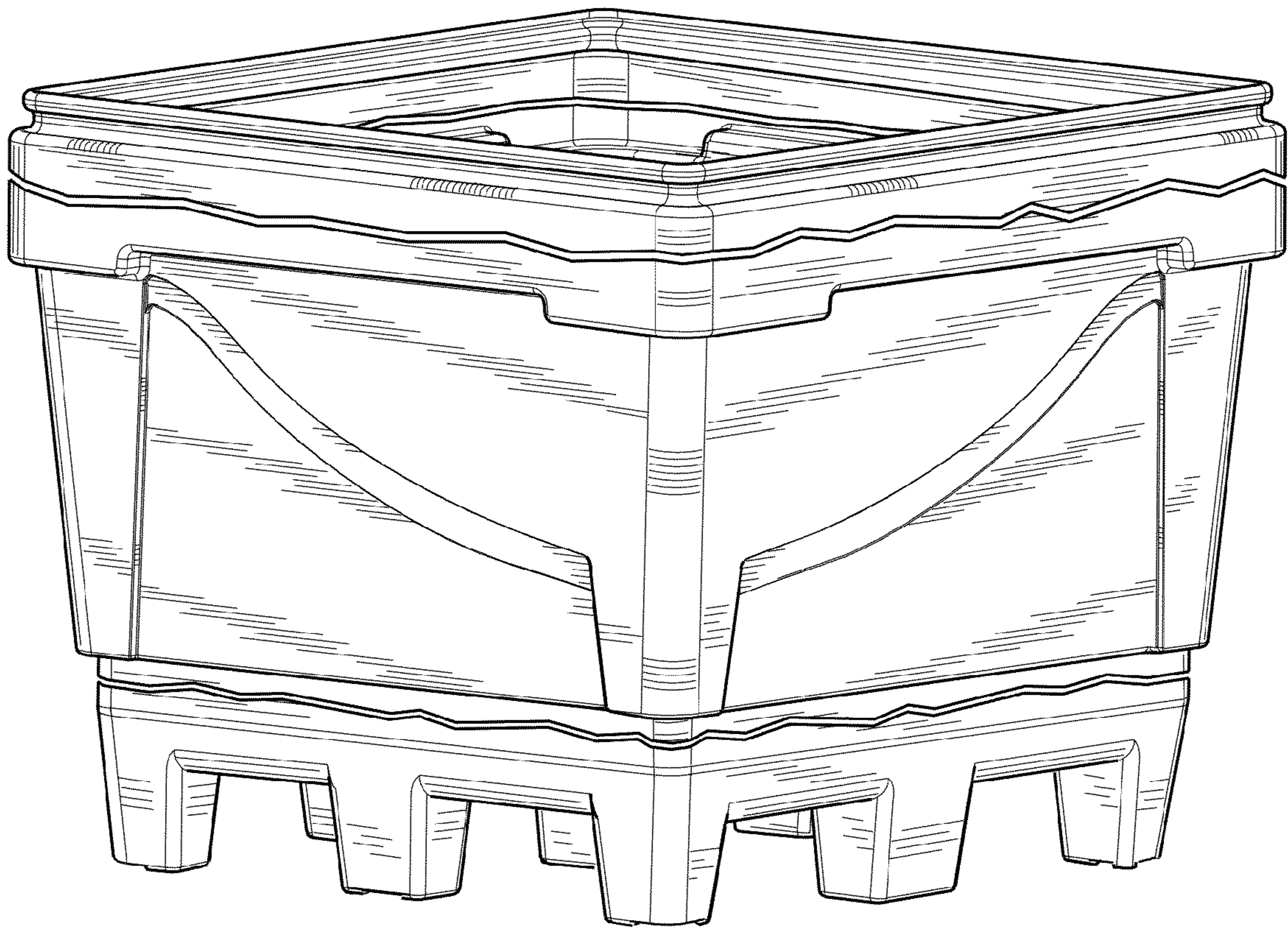
D495,491 S \* 9/2004 Ramirez et al. .... D3/304  
 D517,319 S \* 3/2006 Wisnoski et al. .... D3/304  
 D600,111 S \* 9/2009 Gerulski et al. .... D9/424  
 D604,604 S \* 11/2009 Strange ..... D9/425  
 D606,313 S \* 12/2009 Neilsen ..... D3/304  
 D621,619 S \* 8/2010 Ripoll ..... D3/304  
 D648,535 S \* 11/2011 Reinhart et al. .... D3/302  
 D682,673 S \* 5/2013 Miller et al. .... D9/424  
 D692,748 S \* 11/2013 Short et al. .... D9/420  
 D695,106 S \* 12/2013 Yang ..... D9/425  
 D699,034 S \* 2/2014 Engert ..... D3/304

OTHER PUBLICATIONS

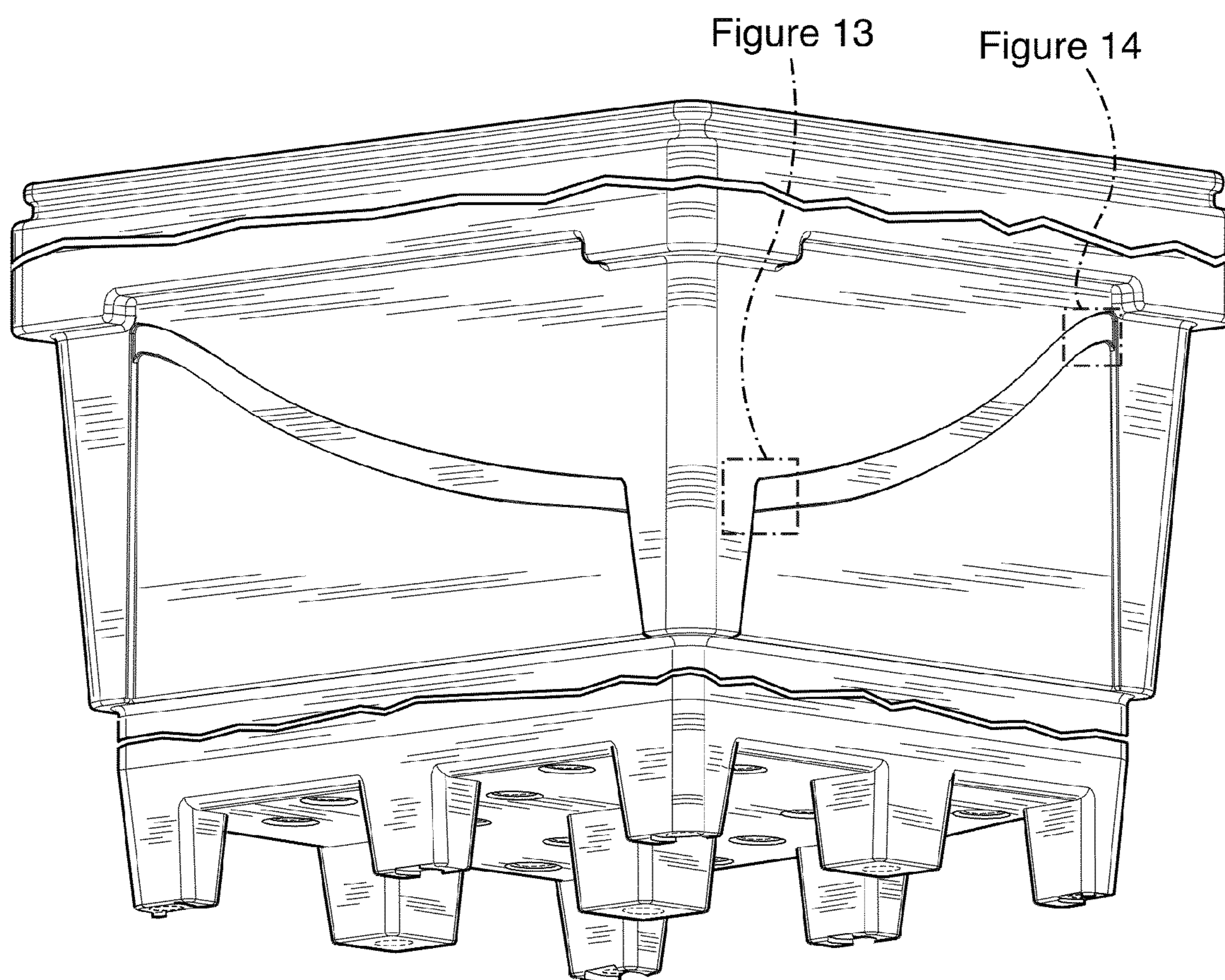
Promens; Containers; accessed on Oct. 31, 2012; [www.promens.com/desktopdefault.aspx/tabid-208/367\\_view-80/](http://www.promens.com/desktopdefault.aspx/tabid-208/367_view-80/).

\* cited by examiner

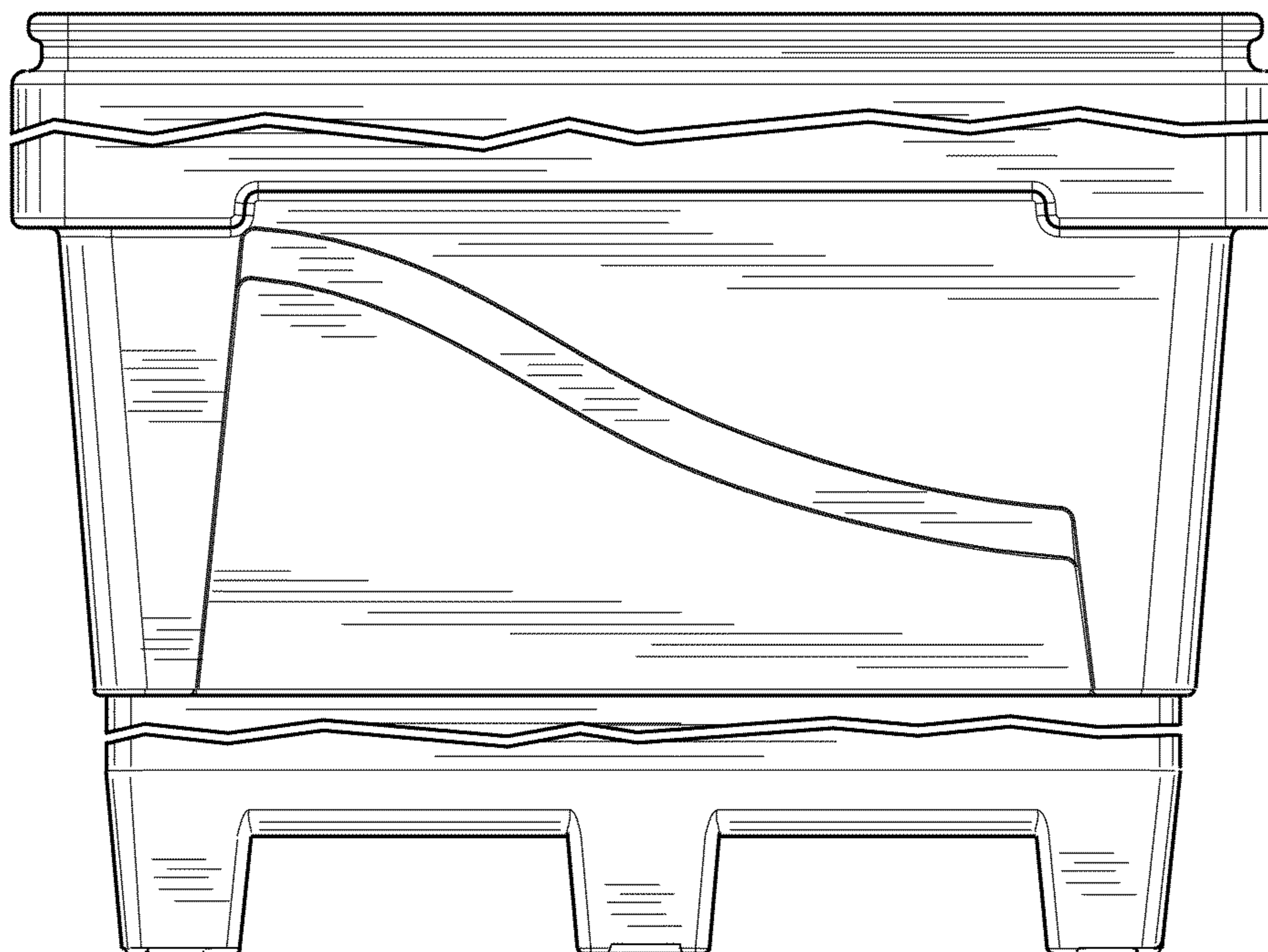




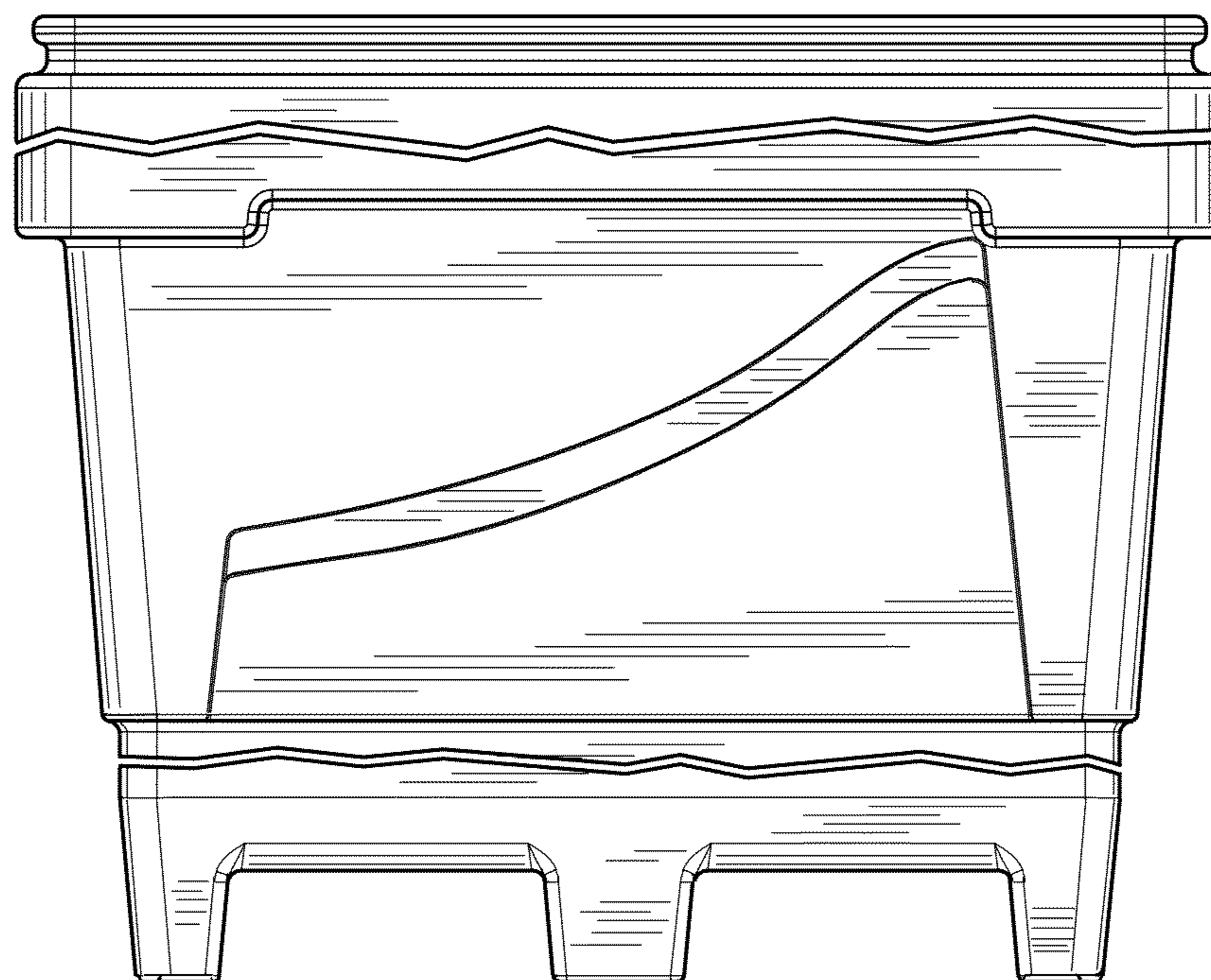
**FIG. 1**



**FIG. 2**

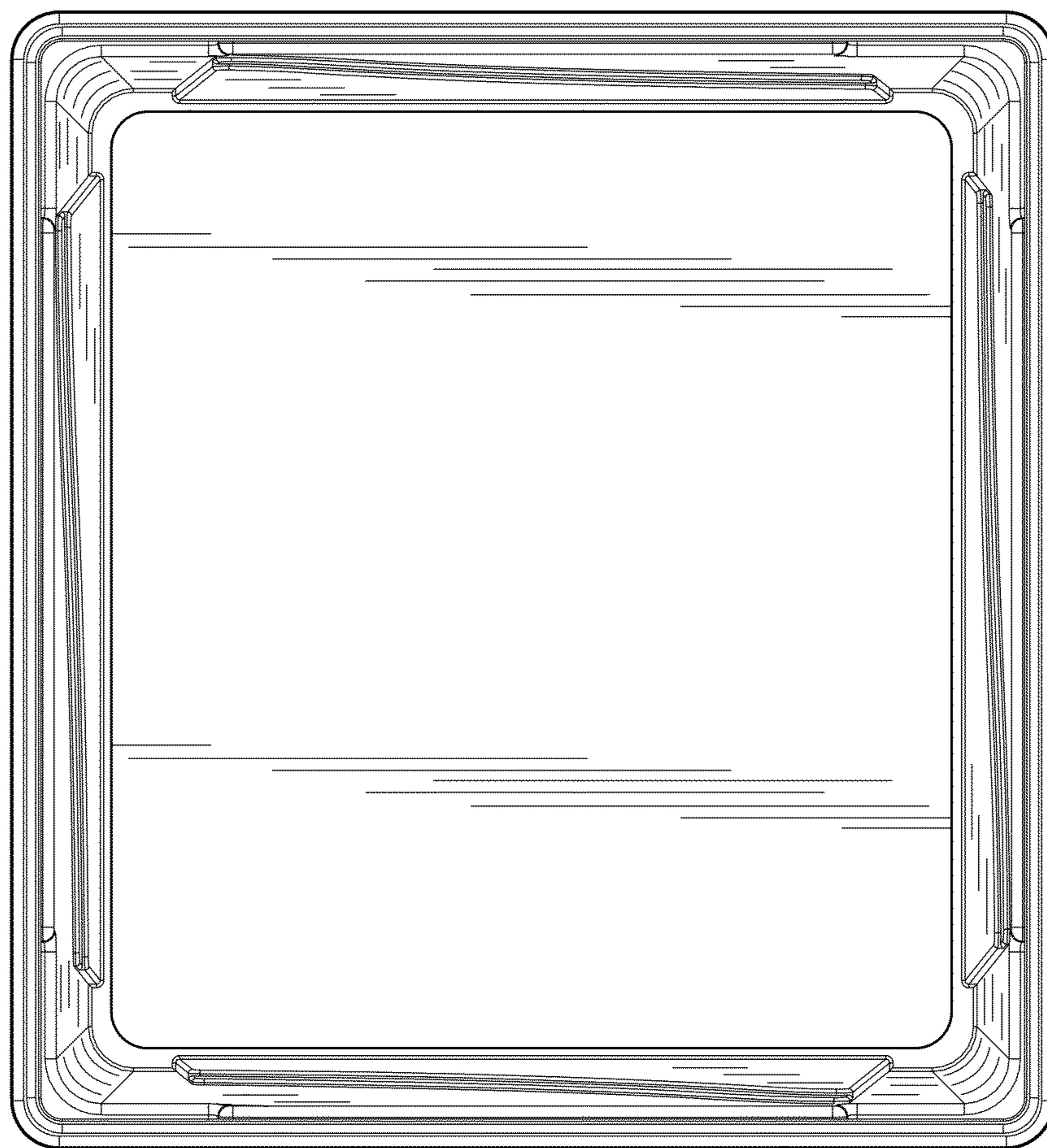


**FIG. 3**



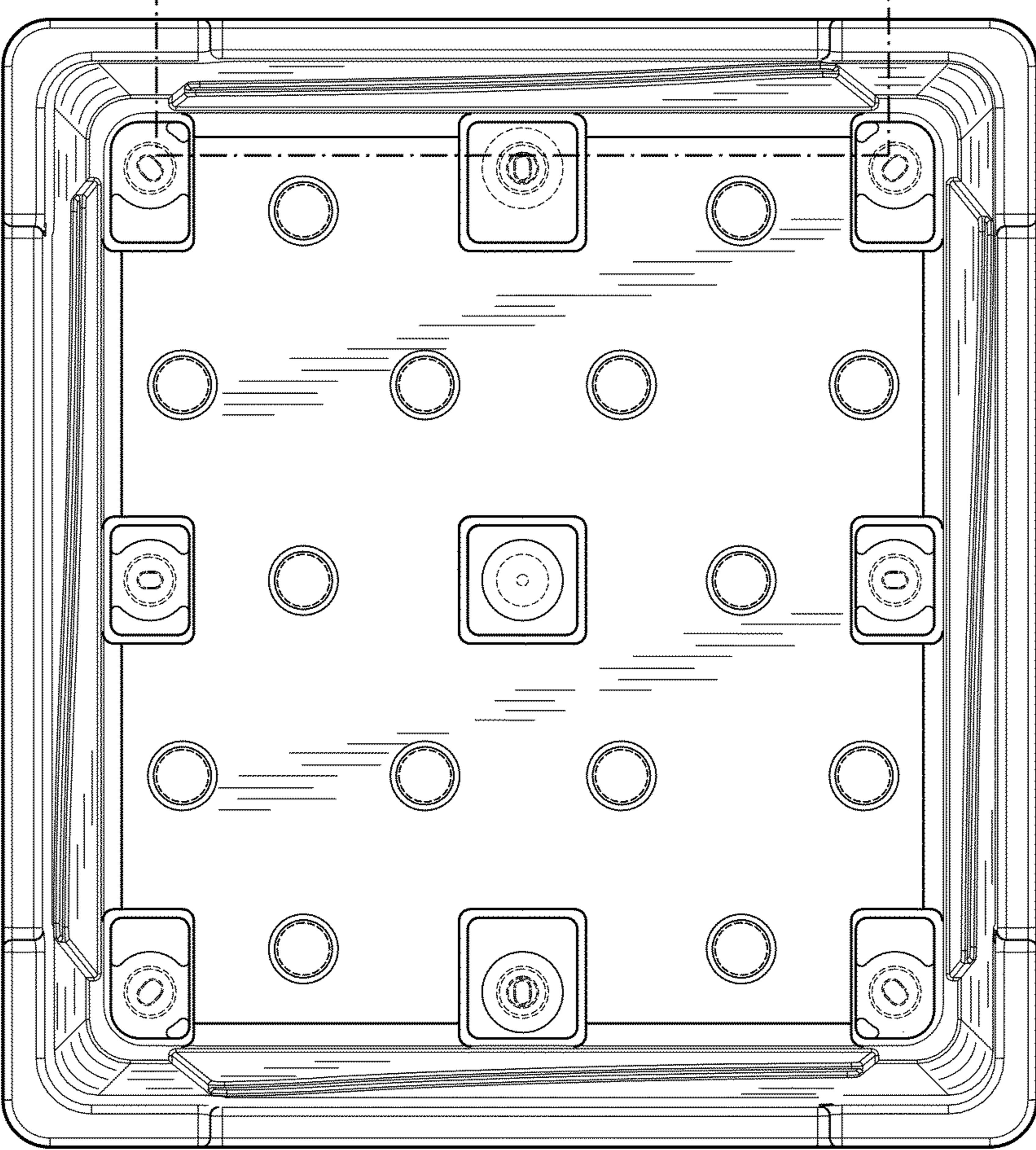
**FIG. 4**



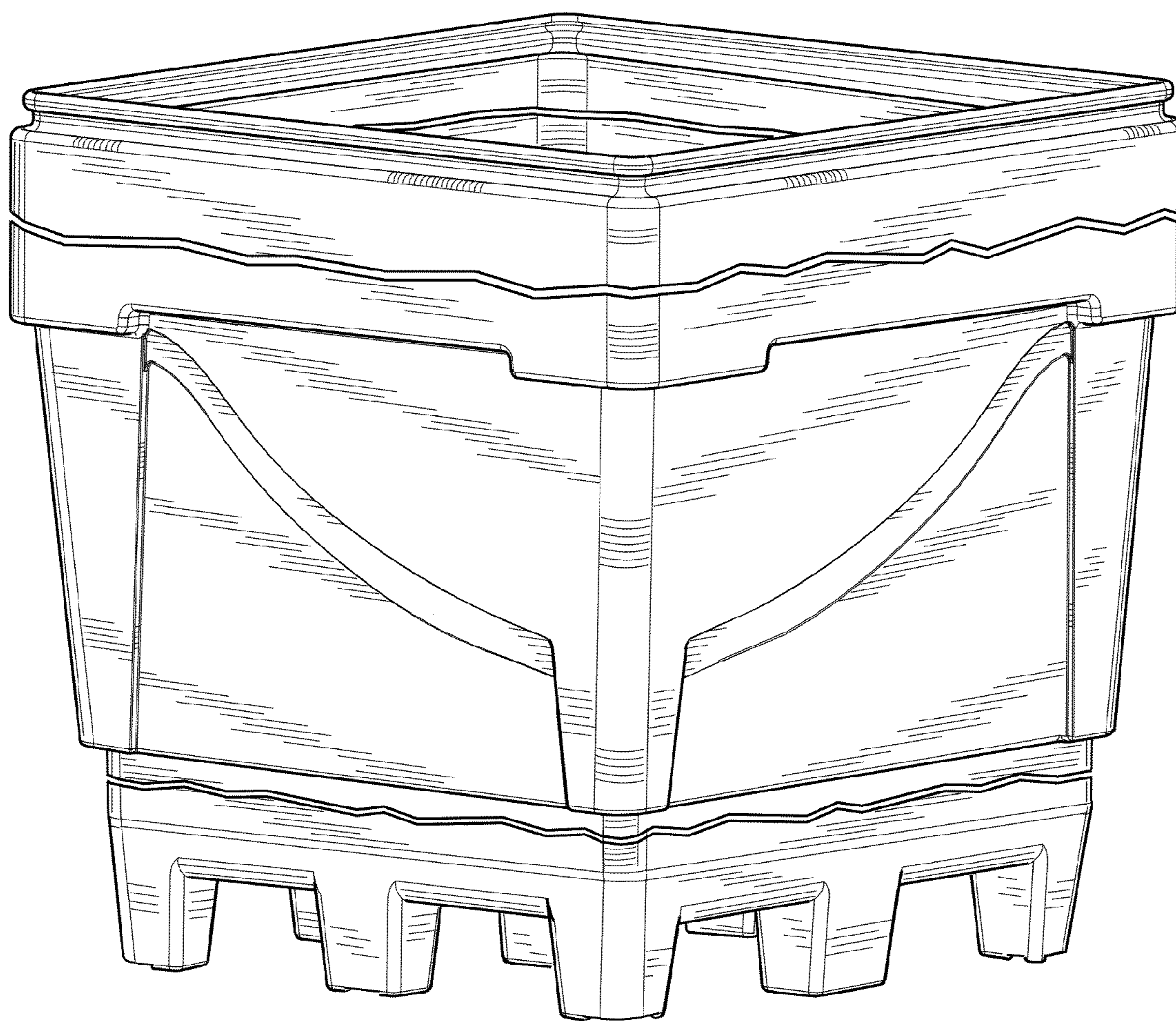


**FIG. 5**

Figure 17

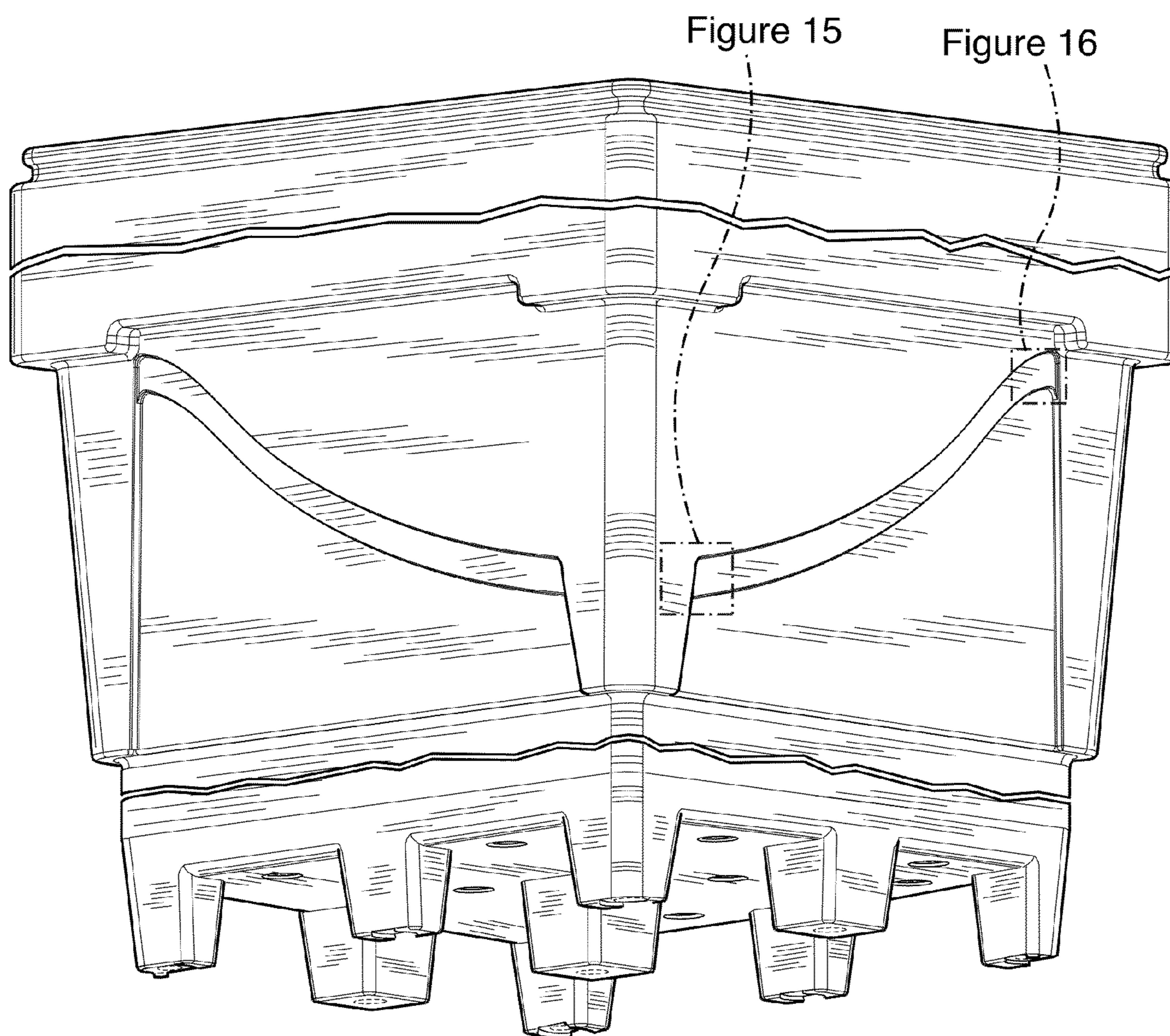


**FIG. 6**

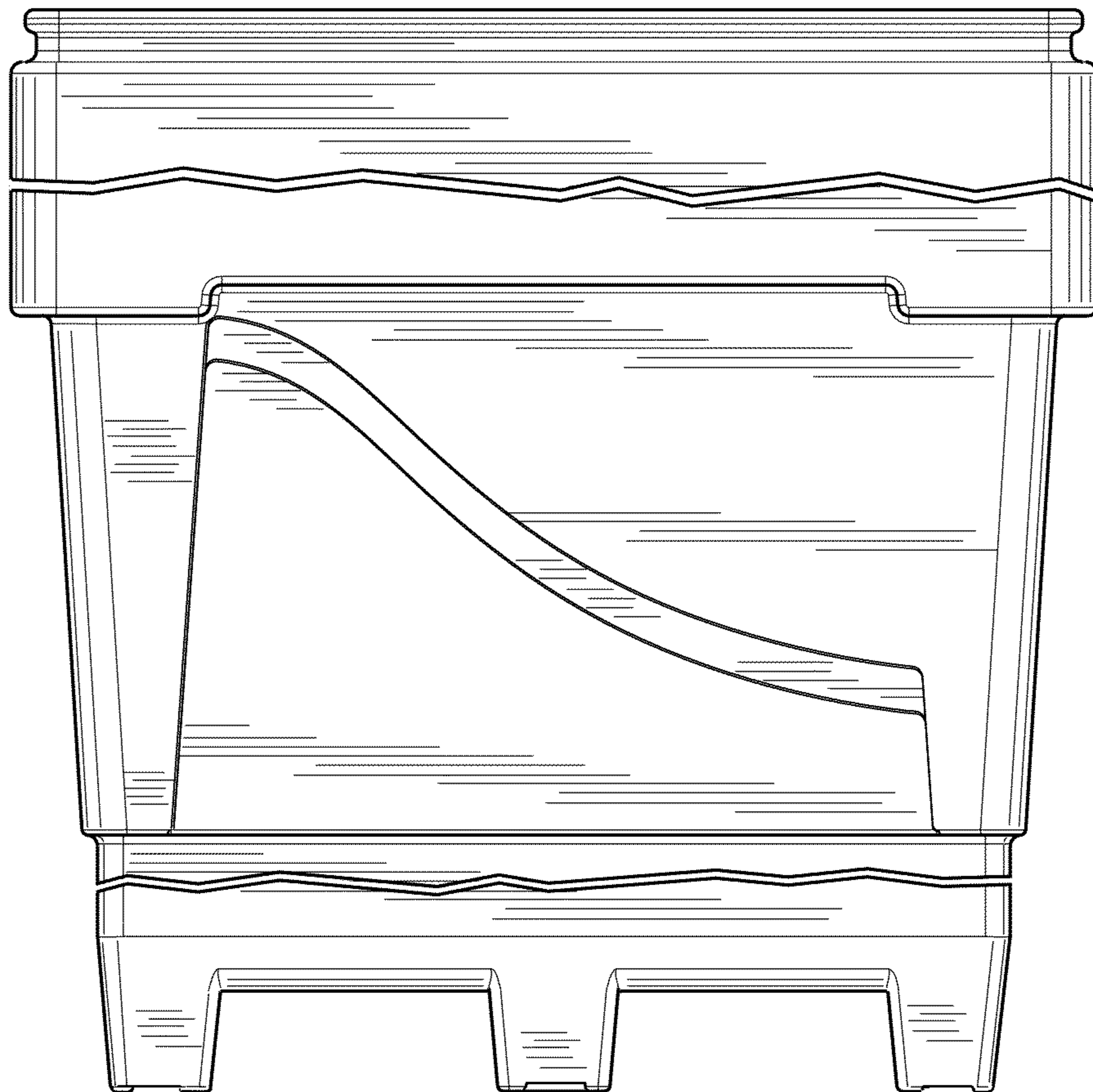


**FIG. 7**

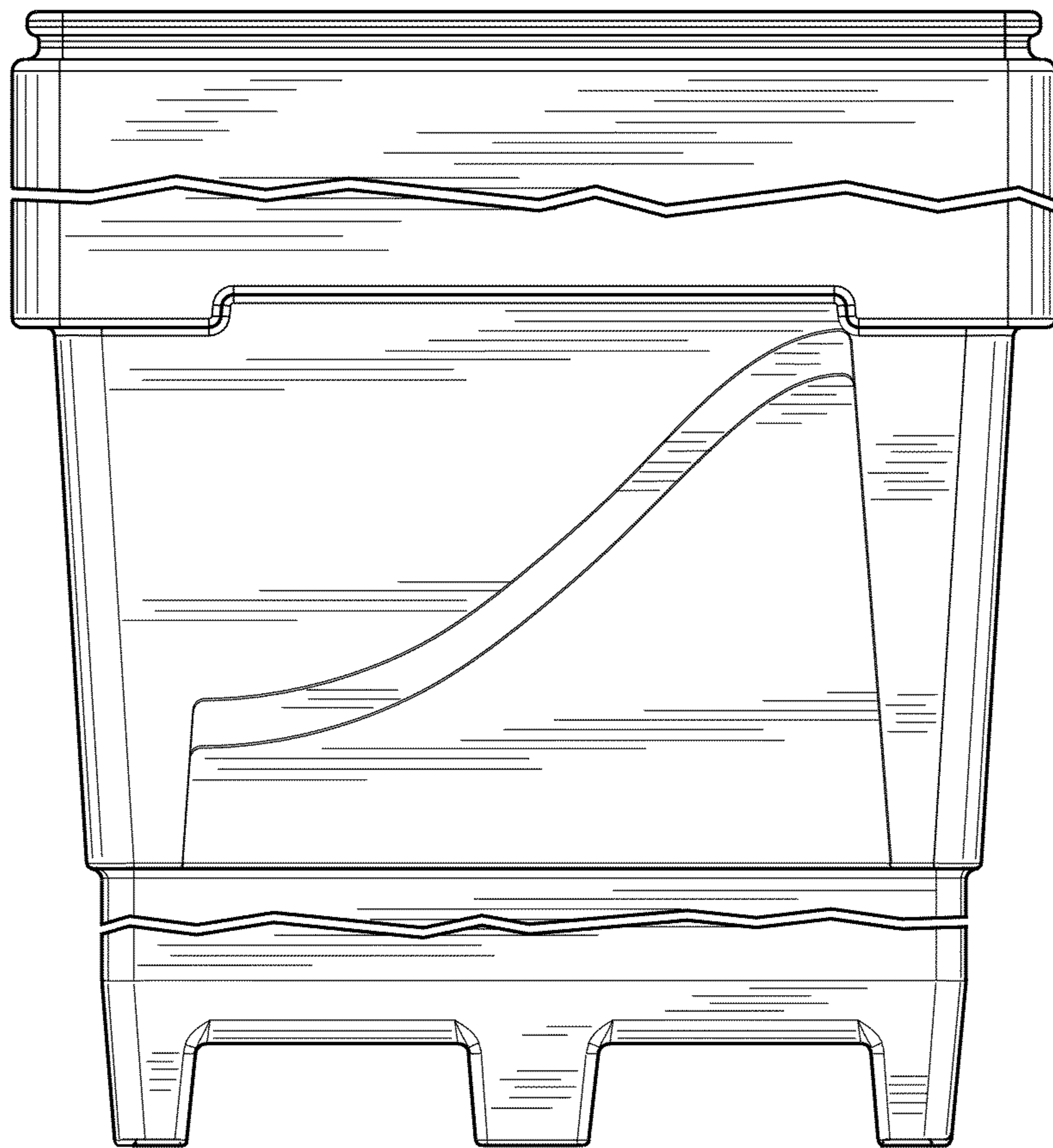




**FIG. 8**

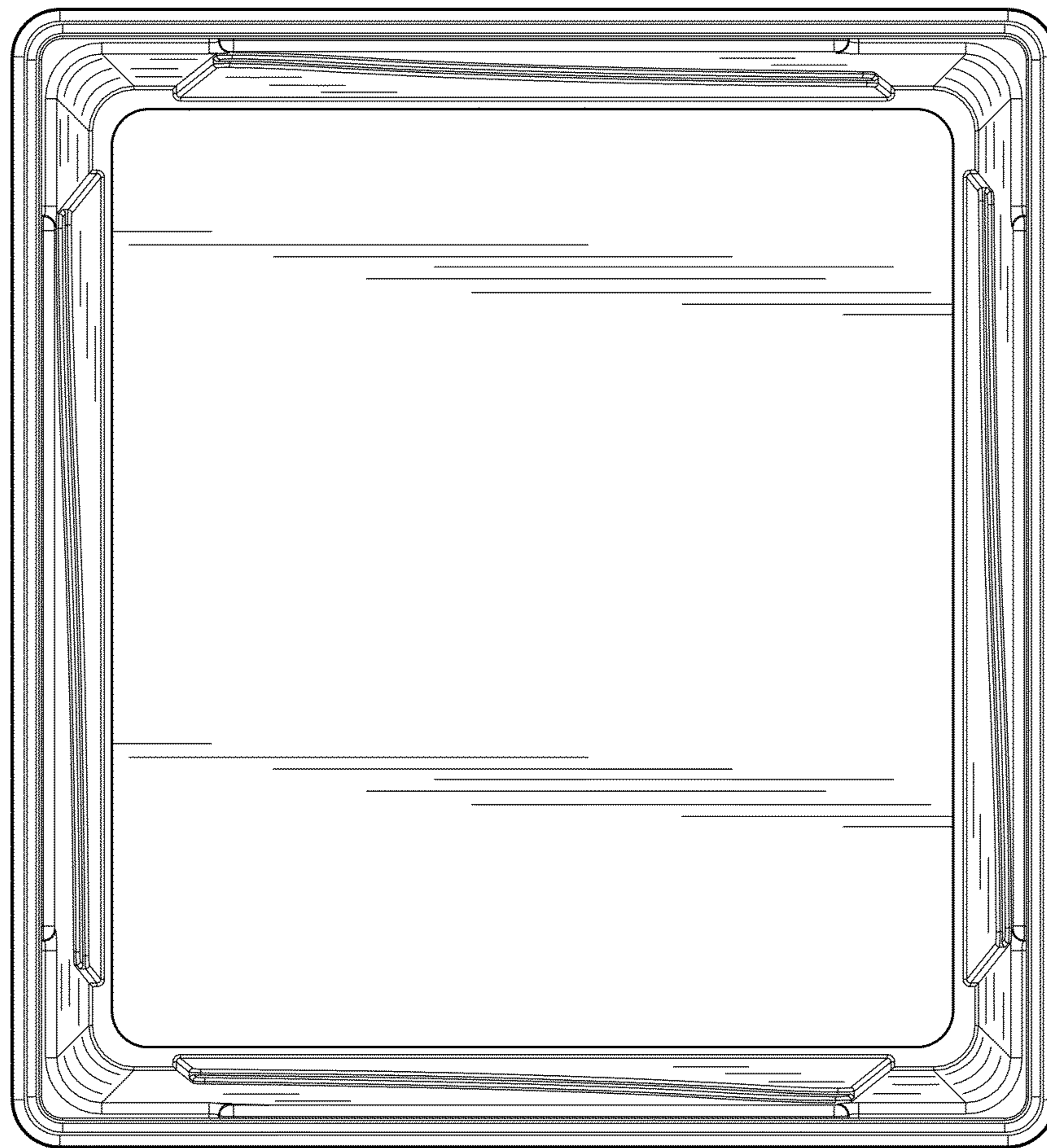


**FIG. 9**



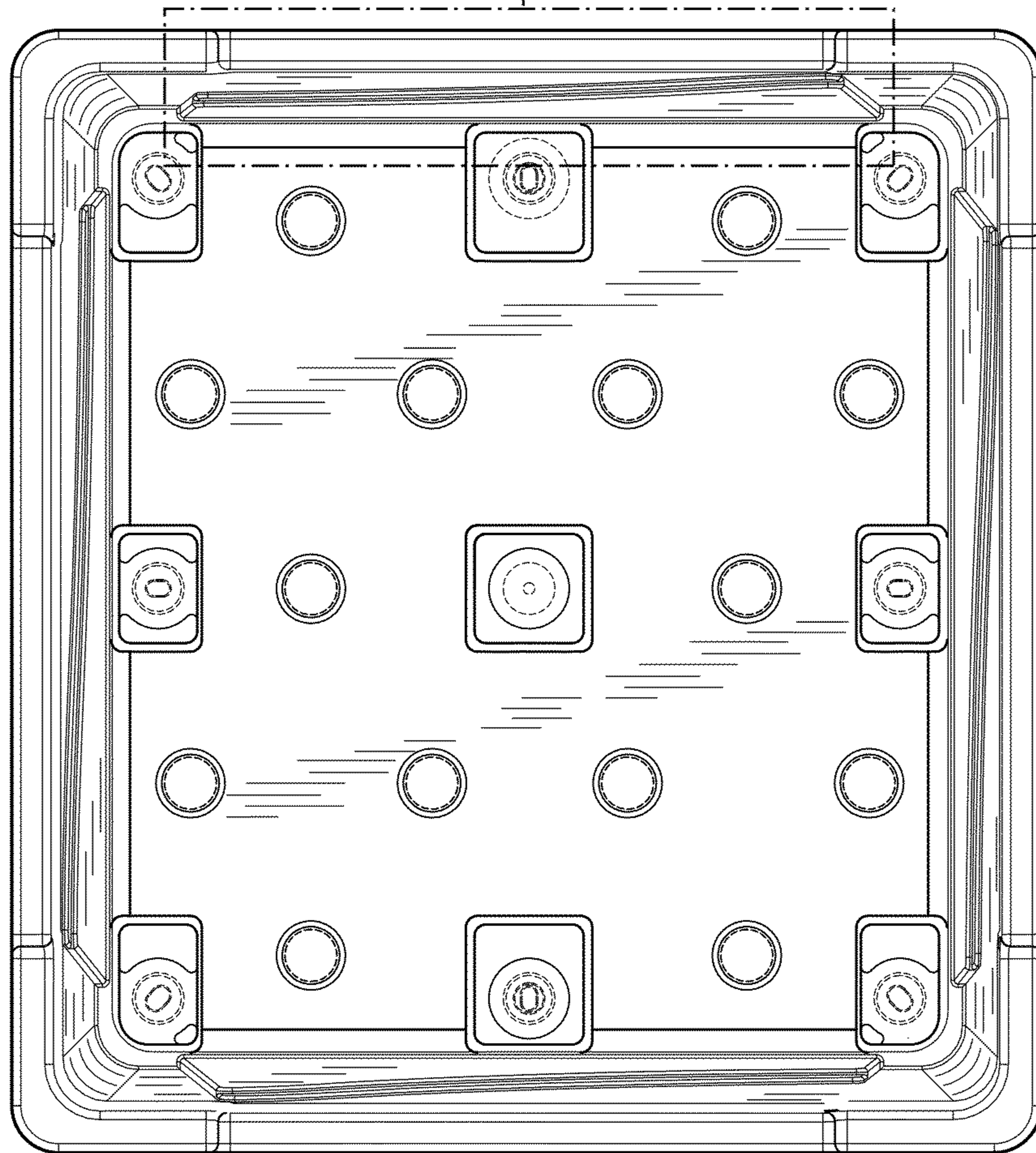
**FIG. 10**



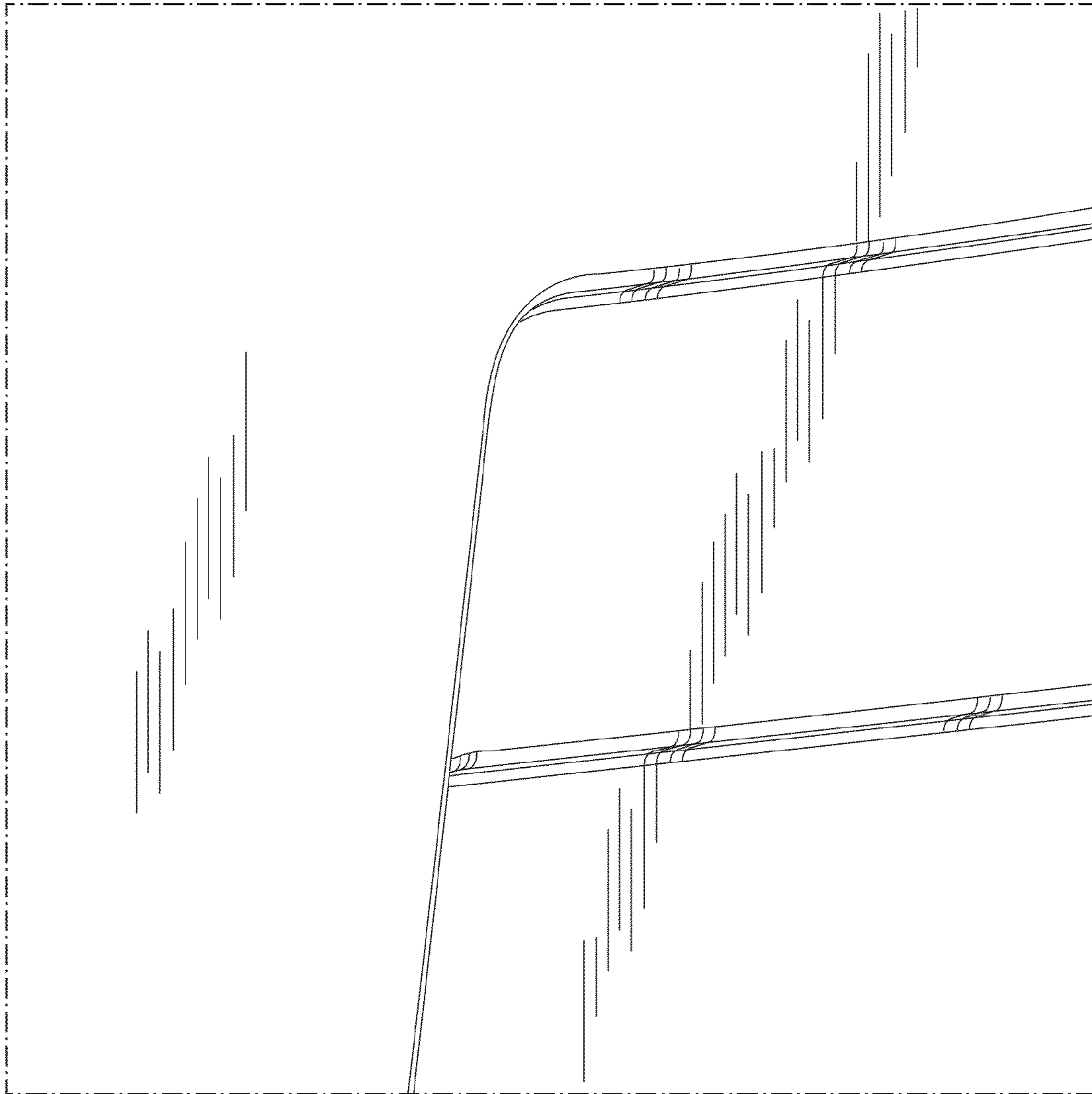


**FIG. 11**

Figure 18

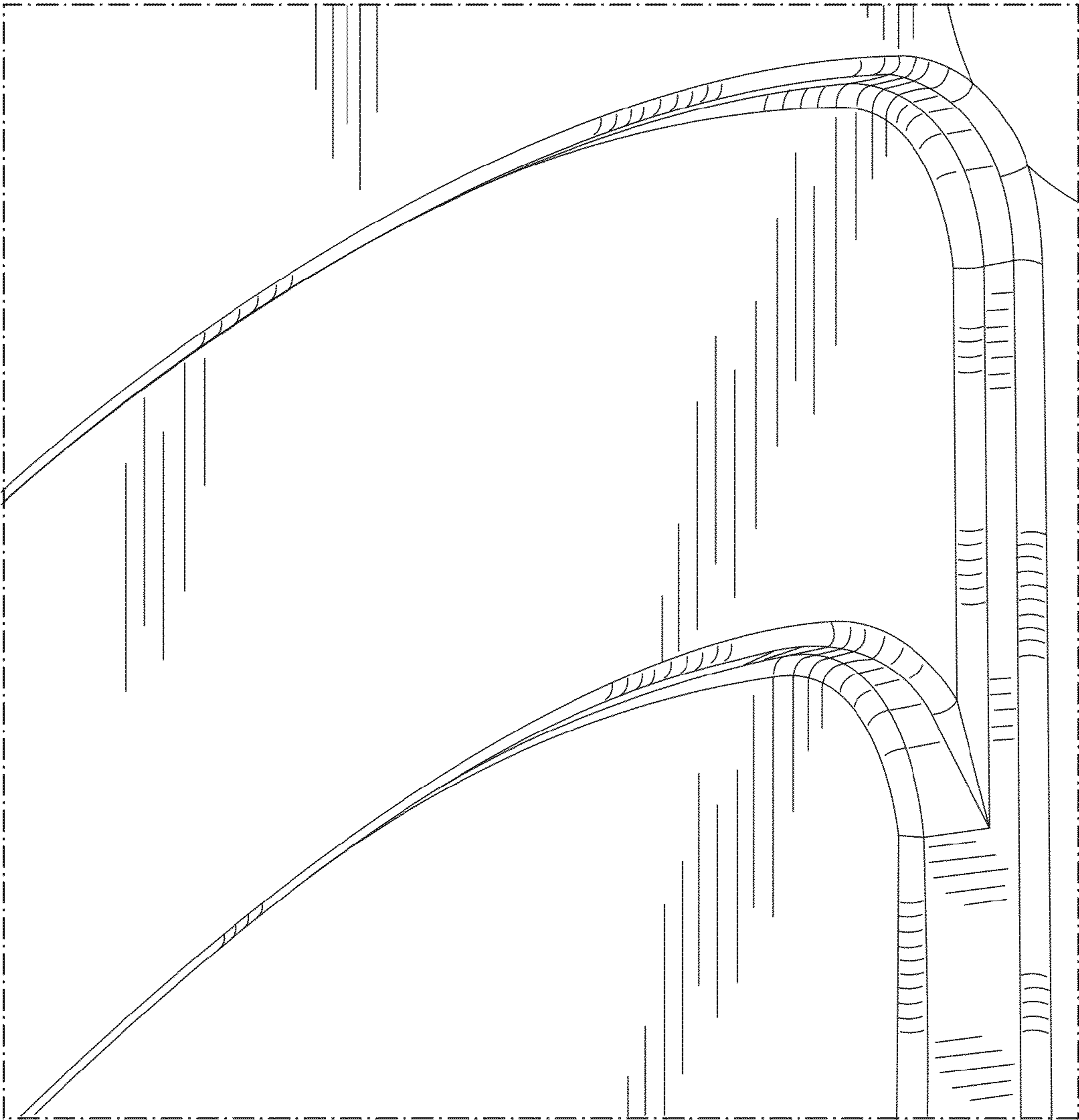


**FIG. 12**

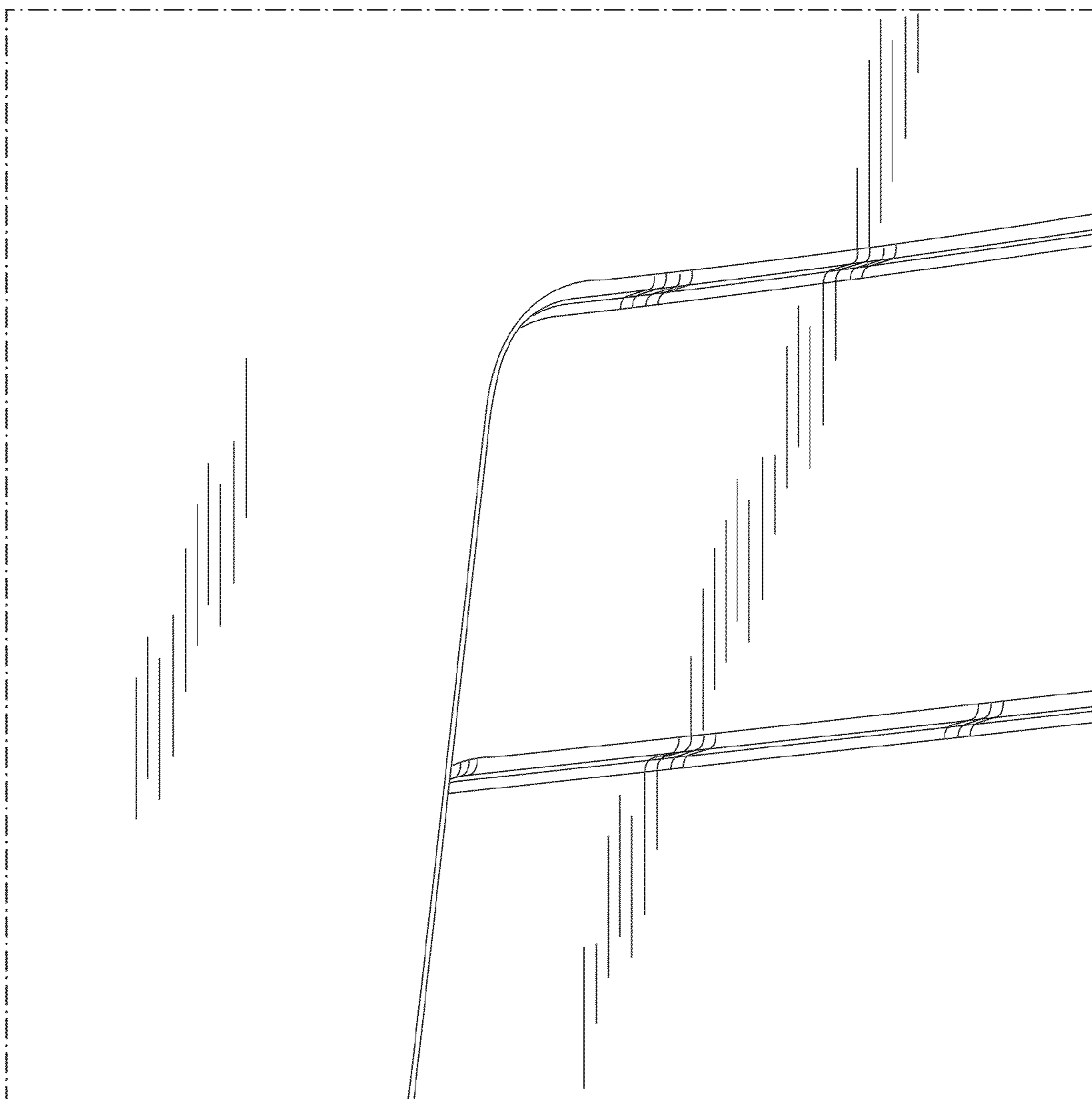


**FIG. 13**

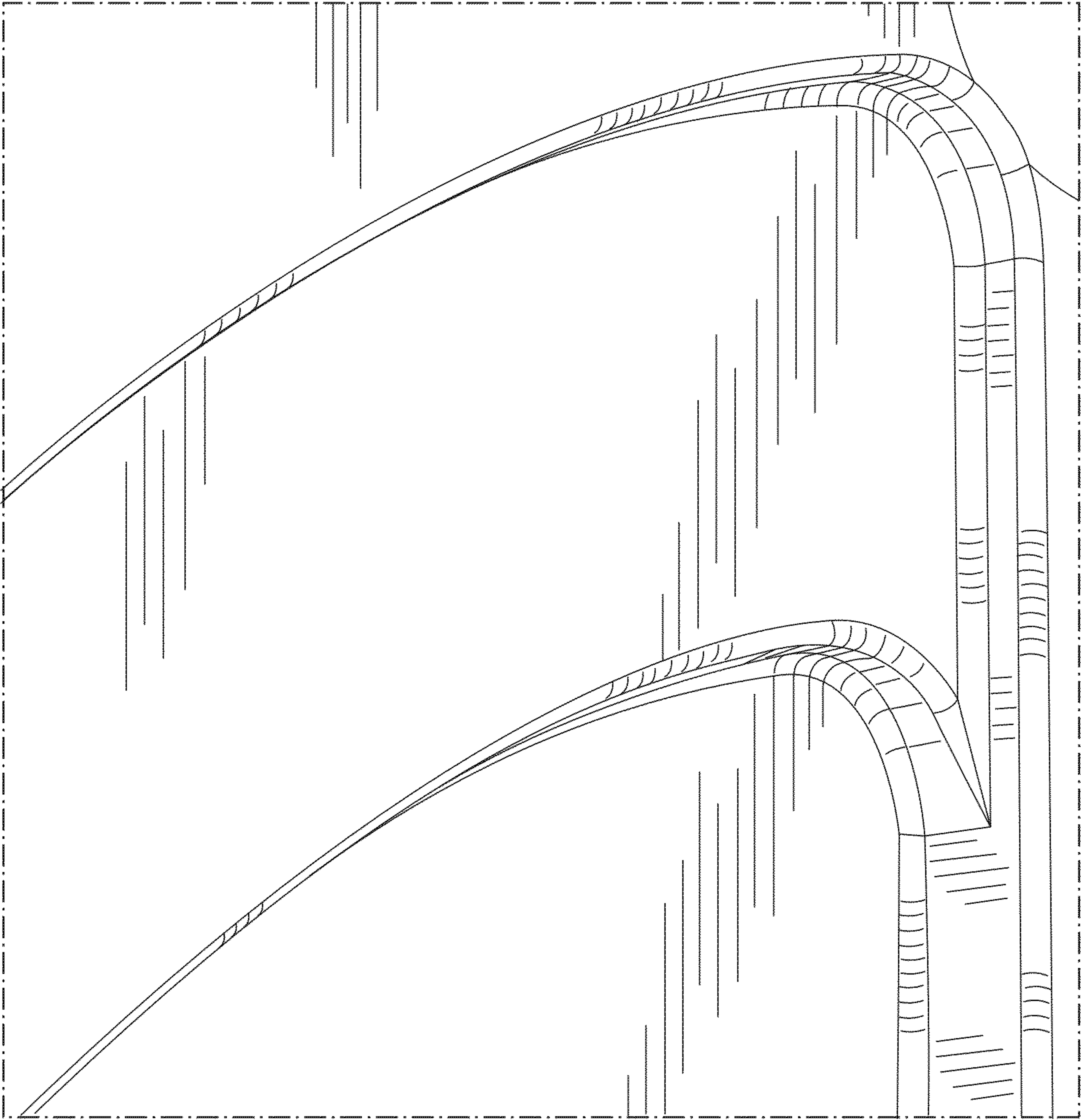




**FIG. 14**

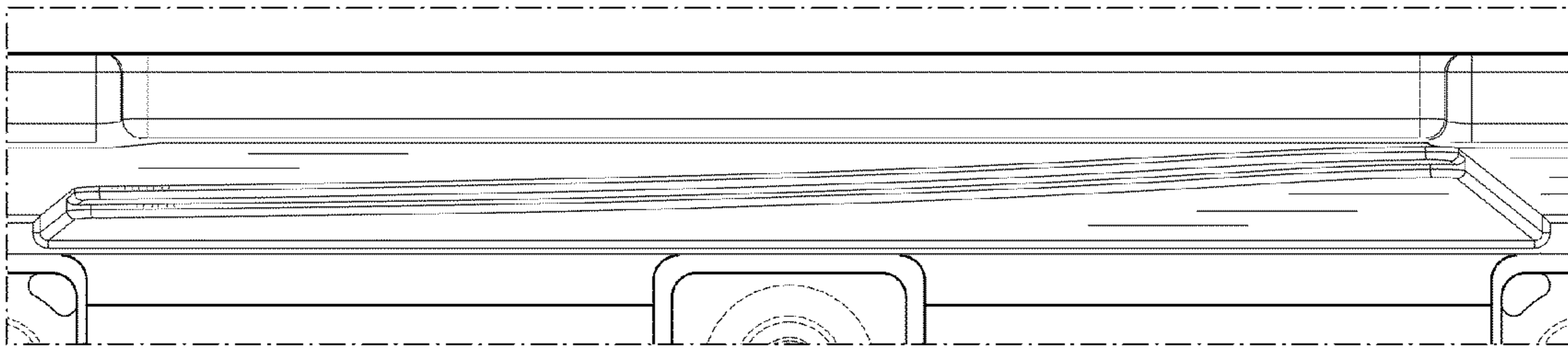


**FIG. 15**

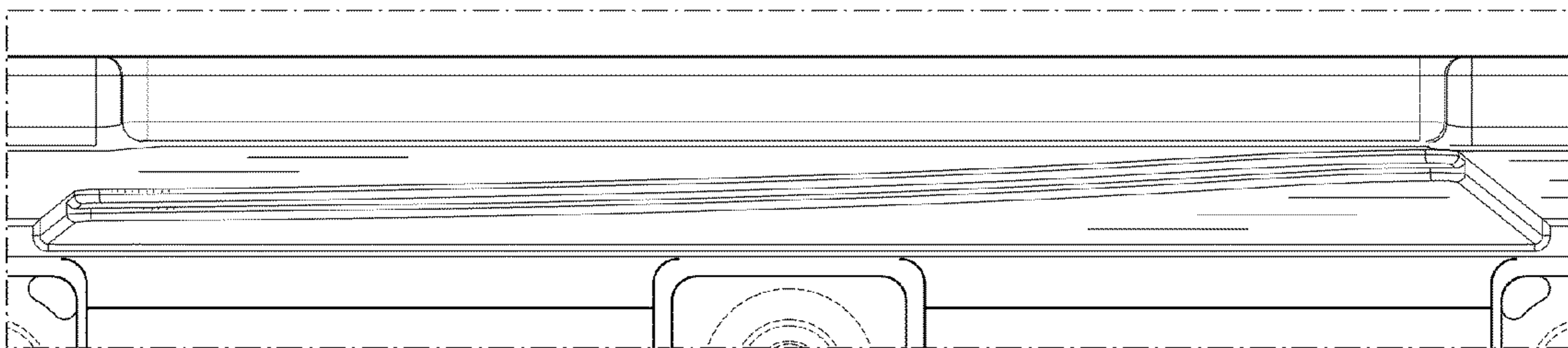


**FIG. 16**





**FIG. 17**



**FIG. 18**