

US00D734031S

(12) **United States Design Patent**  
**Gallet**

(10) **Patent No.:** **US D734,031 S**  
(45) **Date of Patent:** **\*\* Jul. 14, 2015**

- (54) **CHILD'S TOY BOX**
- (71) Applicant: **Stéphanie Gallet**, Santa Monica, CA (US)
- (72) Inventor: **Stéphanie Gallet**, Santa Monica, CA (US)
- (\*\*) Term: **14 Years**
- (21) Appl. No.: **29/468,002**
- (22) Filed: **Sep. 25, 2013**
- (51) **LOC (10) Cl.** ..... **03-01**
- (52) **U.S. Cl.**  
USPC ..... **D3/282; D3/290**
- (58) **Field of Classification Search**  
USPC ..... D3/273, 276, 282, 283, 285, 287, 284, D3/289, 290, 299, 301, 900, 902, 295, 225, D3/215, 901; 224/218, 906; 150/100-126; 190/100-127, 903; D21/500, 562; D9/433, 432, 418, 416; 206/579  
CPC ..... D65D 5/46152; D65D 5/064; D65D 5/46096; D65D 5/22  
See application file for complete search history.

5,836,095	A *	11/1998	Crowell	.....	40/299.01
D442,859	S *	5/2001	Hirschey	.....	D9/418
D457,313	S *	5/2002	Clark et al.	.....	D3/276
6,604,976	B2	8/2003	Lenkoff		
D498,417	S *	11/2004	Crane	.....	D9/415
D513,283	S *	12/2005	Wampler et al.	.....	D21/562
D556,471	S *	12/2007	Smith	.....	D6/667
D566,387	S *	4/2008	Seaborn	.....	D3/254
D576,482	S *	9/2008	DeBusk	.....	D9/416
D591,951	S *	5/2009	Peters	.....	D3/295
D713,721	S *	9/2014	Graves	.....	D9/432

\* cited by examiner

*Primary Examiner* — Jennifer Rivard

*Assistant Examiner* — April Rivas

(74) *Attorney, Agent, or Firm* — Kenneth H. Ohriner; Perkins Coie LLP

(57) **CLAIM**

The ornamental design for a child's toy box, as shown and described.

**DESCRIPTION**

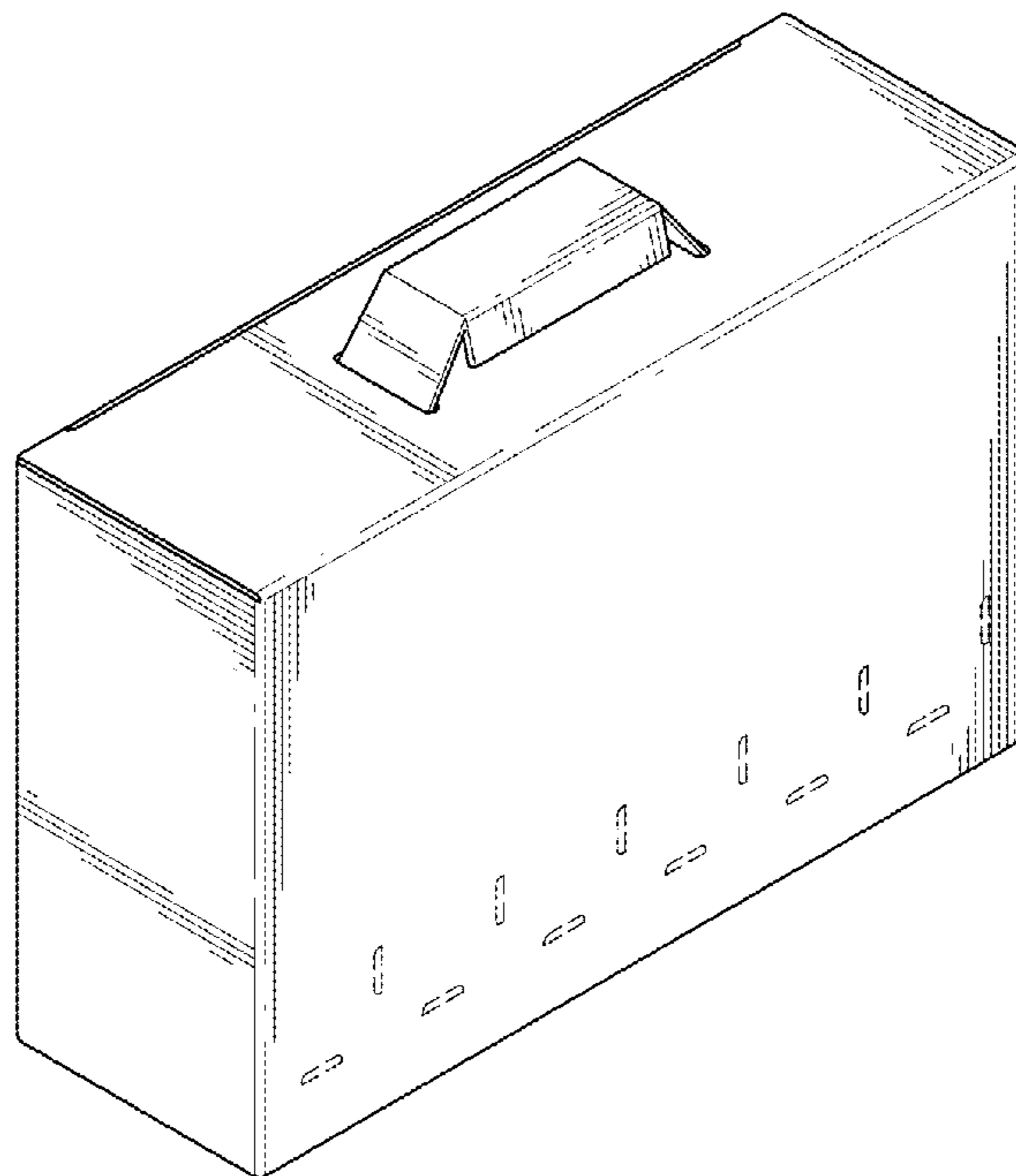
FIG. 1 is a front, bottom and left side perspective view showing my new design.  
 FIG. 2 is a left side view of the child's toy box in a state of use.  
 FIG. 3 is a right side view.  
 FIG. 4 is a top view.  
 FIG. 5 is a bottom view.  
 FIG. 6 is a front view; and,  
 FIG. 7 is a back view.  
 The broken lines shown along the front surface illustrate portions of the child's toy box and form no part of the claimed design. The broken line figures in FIG. 2 illustrate environment and form no part of the claimed design.

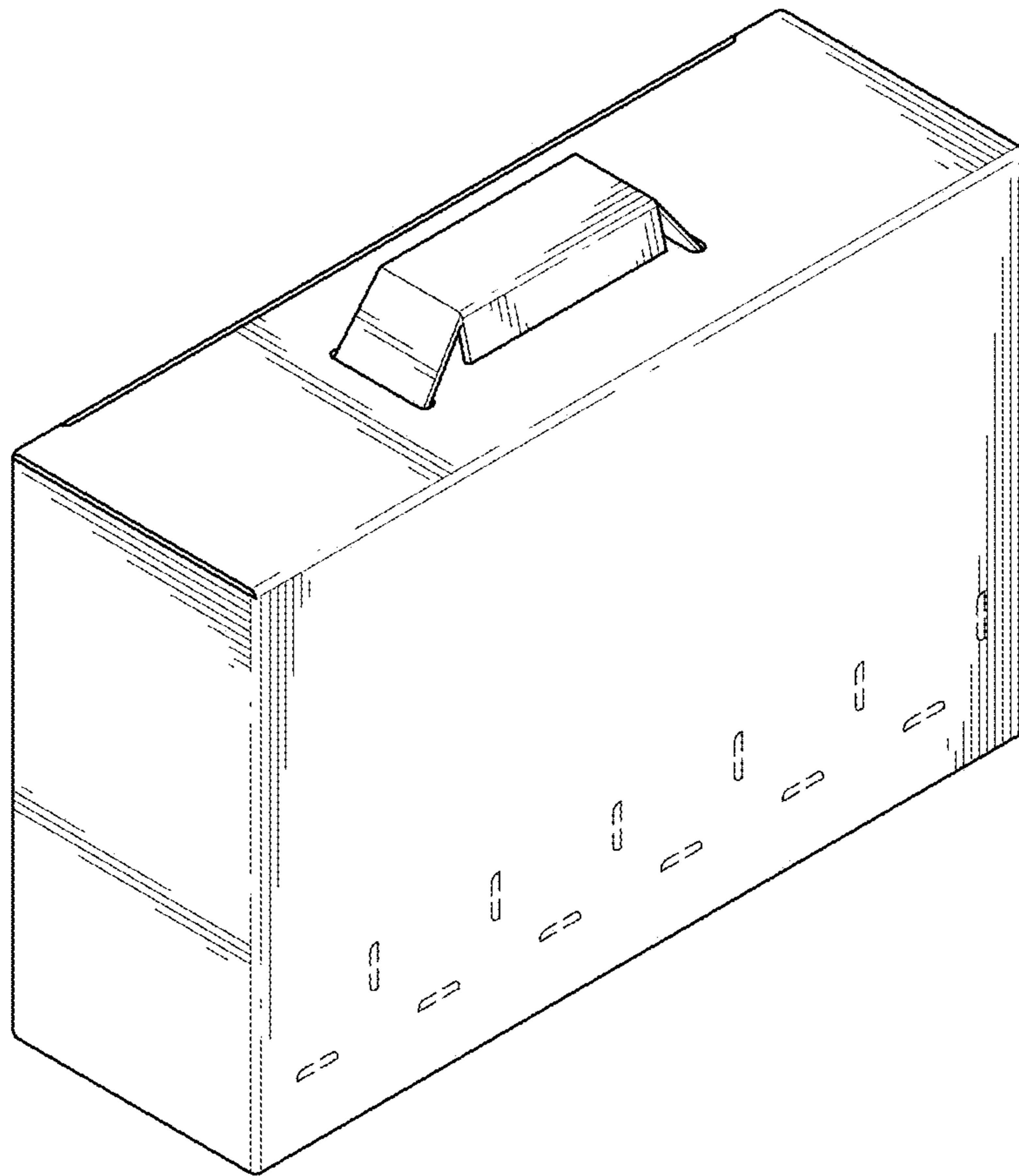
(56) **References Cited**

**U.S. PATENT DOCUMENTS**

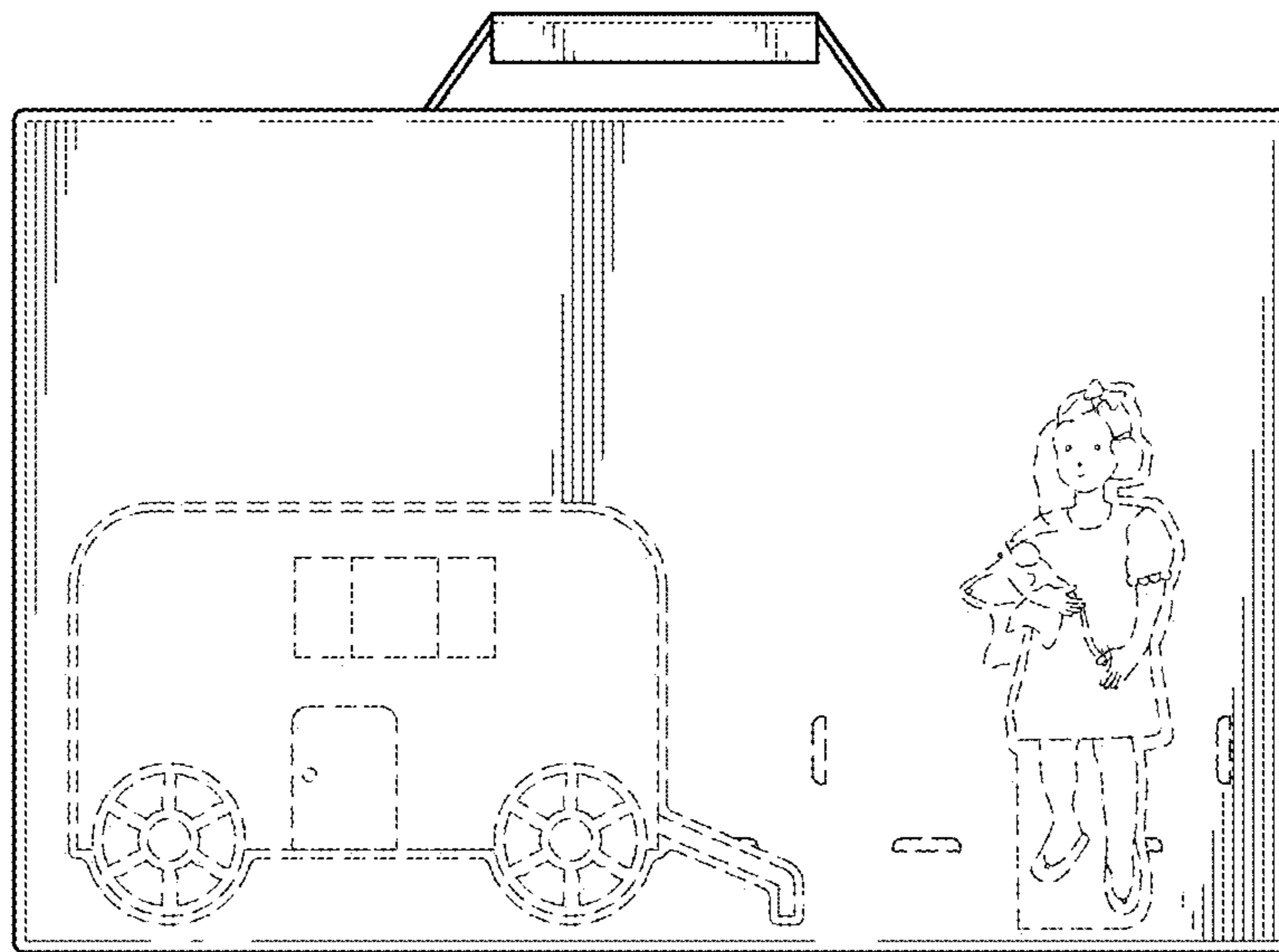
3,440,747	A *	4/1969	Oliver	.....	40/539
4,318,505	A *	3/1982	Cordell, Jr.	.....	190/115
D336,245	S *	6/1993	Savas	.....	D9/433
5,332,093	A	7/1994	Littlepage		
D385,187	S *	10/1997	Loft	.....	D9/433
5,733,166	A	3/1998	Hoag		
5,775,971	A	7/1998	Brown		

**1 Claim, 4 Drawing Sheets**

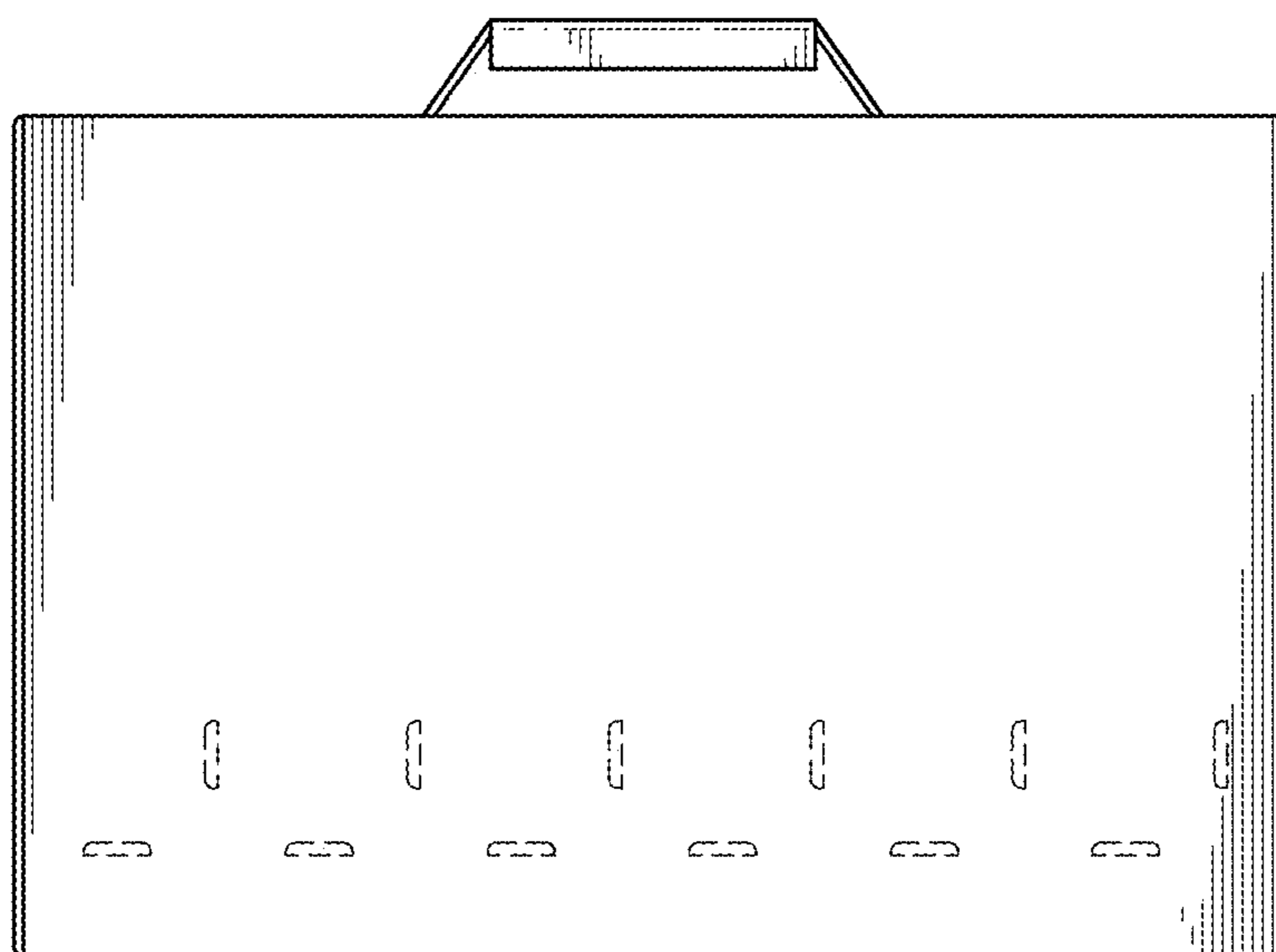




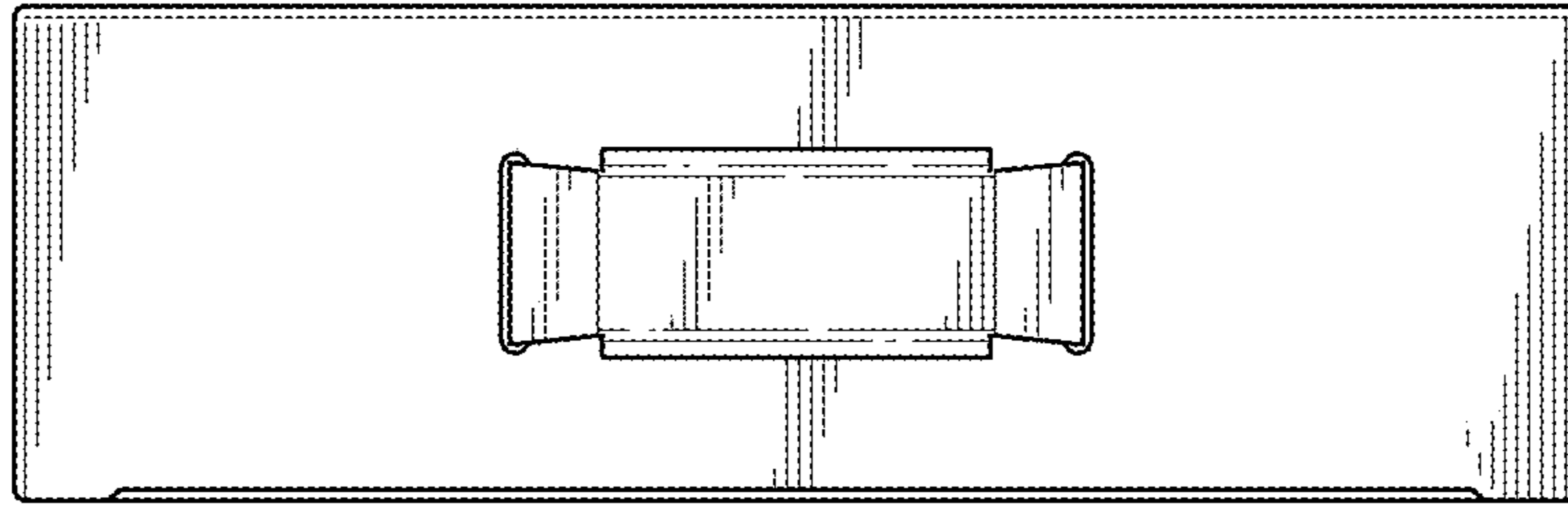
*FIG. 1*



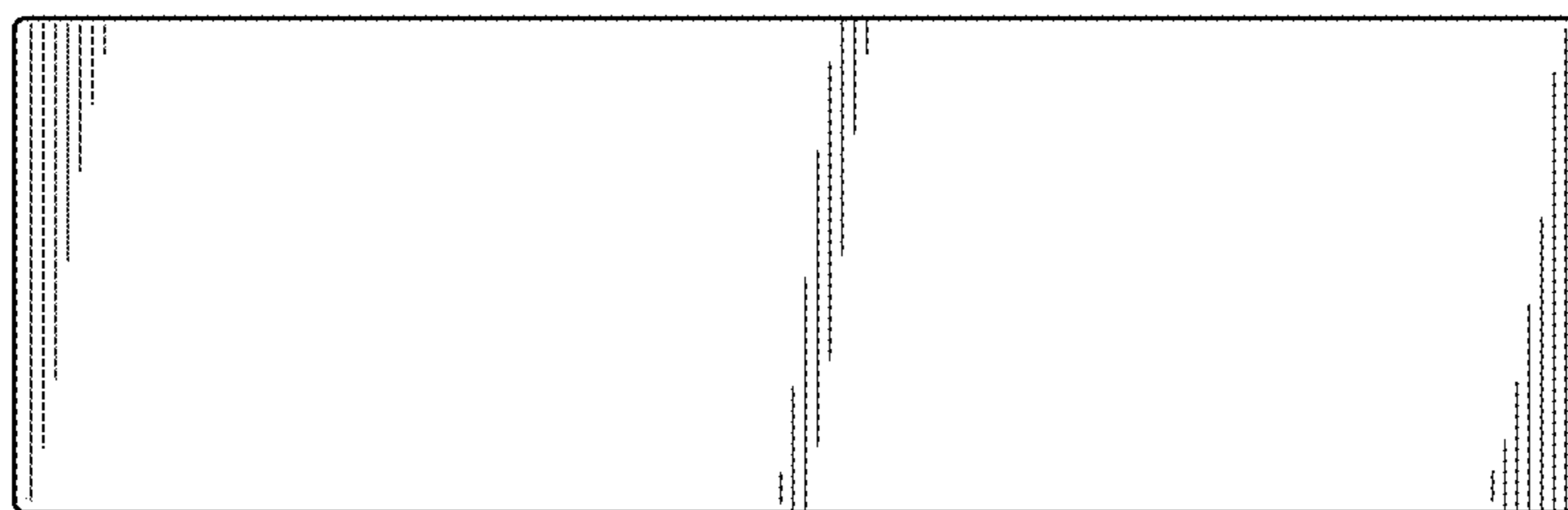
*FIG. 2*



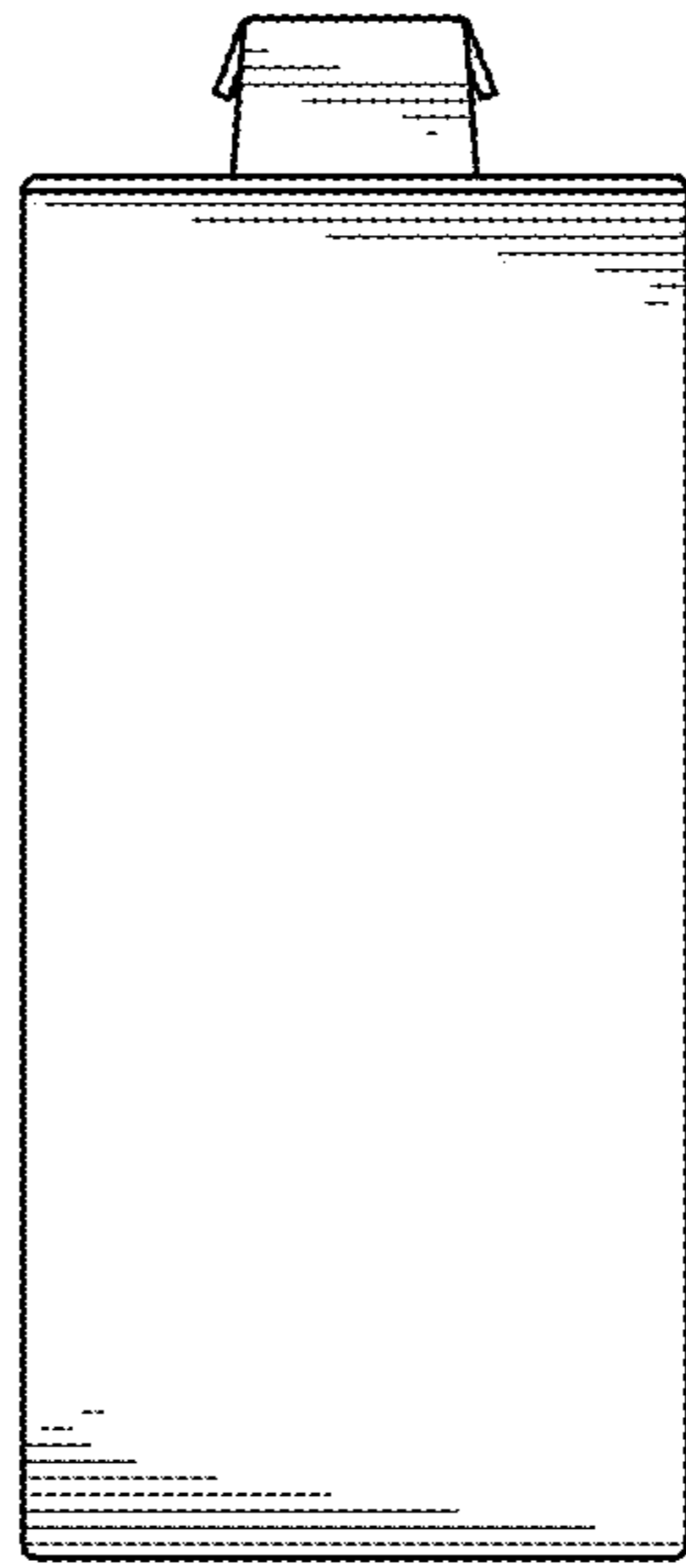
*FIG. 3*



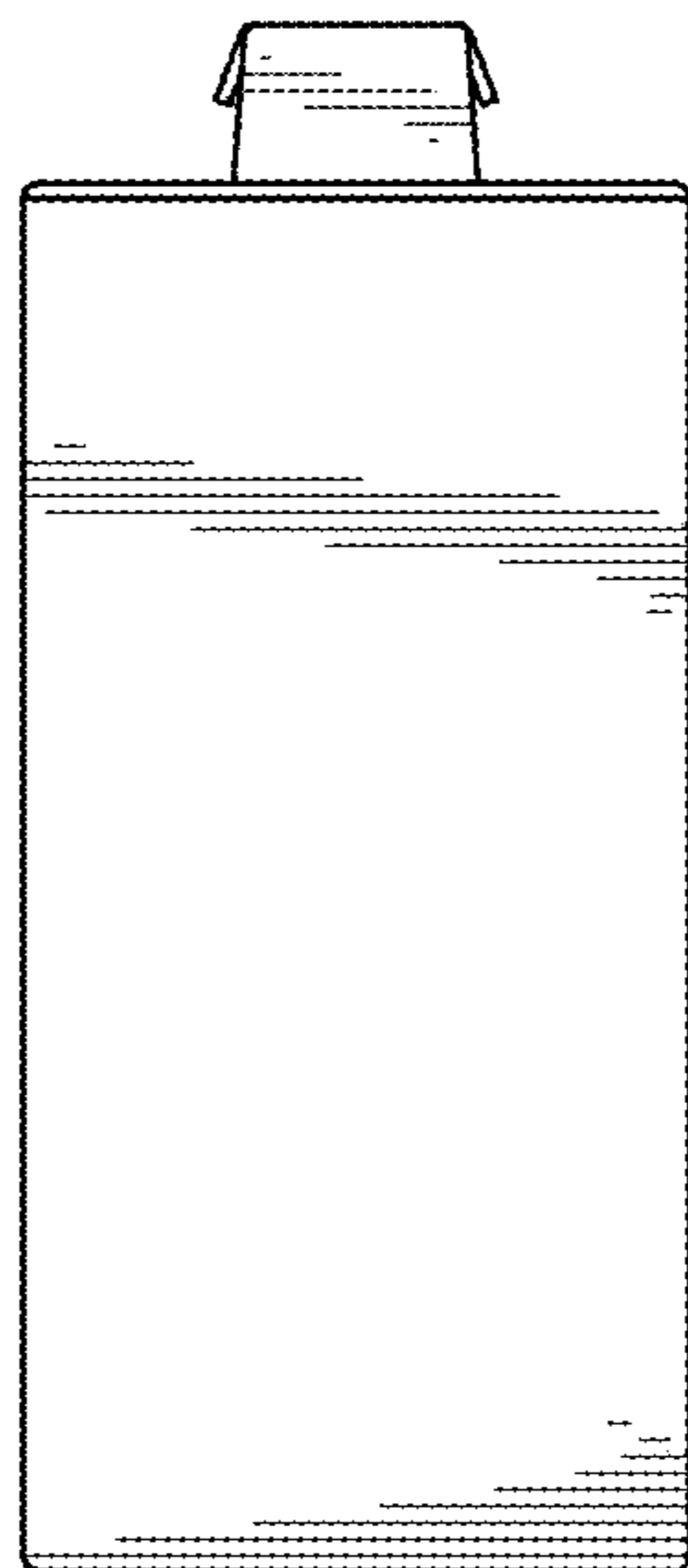
*FIG. 4*



*FIG. 5*



*FIG. 6*



*FIG. 7*