



US00D734030S

(12) **United States Design Patent**
Wang et al.

(10) **Patent No.:** **US D734,030 S**
(45) **Date of Patent:** **** Jul. 14, 2015**

- (54) **MULTI-FUNCTION TROLLEY CASE WITH RETRACTABLE TABLE AND CHAIR**
- (71) Applicant: **GUANGZHOU HKHPAH COMMODITY CO., LTD.**, Guangzhou, Guangdong (CN)
- (72) Inventors: **Jun Wang**, Guangzhou (CN); **Zhiyong Wang**, Guangzhou (CN)
- (73) Assignee: **GUANGZHOU HKHPAH COMMODITY CO., LTD.**, Guangzhou (CN)
- (**) Term: **14 Years**
- (21) Appl. No.: **29/485,981**
- (22) Filed: **Mar. 25, 2014**
- (30) **Foreign Application Priority Data**

Sep. 25, 2013 (CN) 2013 3 0457720

- (51) **LOC (10) Cl.** **03-01**
- (52) **U.S. Cl.**
USPC **D3/274; D3/283; D3/902; D3/279**
- (58) **Field of Classification Search**
USPC **D3/272, 276, 278, 279, 273, 274, 281, D3/289, 902, 283; 190/100-127, 903, 37, 190/39, 18 A, 12 A**
See application file for complete search history.

(56) **References Cited**

U.S. PATENT DOCUMENTS

1,622,327	A *	3/1927	Livingood	190/12 A
2,078,338	A *	4/1937	Moore	190/12 A
5,941,352	A *	8/1999	Lee	190/18 A
6,328,179	B1 *	12/2001	Conrado et al.	190/12 A
6,932,427	B2 *	8/2005	Tamura	190/12 A
7,278,644	B2 *	10/2007	Villarreal	190/12 A
2005/0098402	A1 *	5/2005	Cohen	190/12 A
2007/0007094	A1 *	1/2007	Smith	190/11
2011/0017563	A1 *	1/2011	Azirian	190/11
2013/0032443	A1 *	2/2013	Soedomo	190/18 A

* cited by examiner

Primary Examiner — Jennifer Rivard

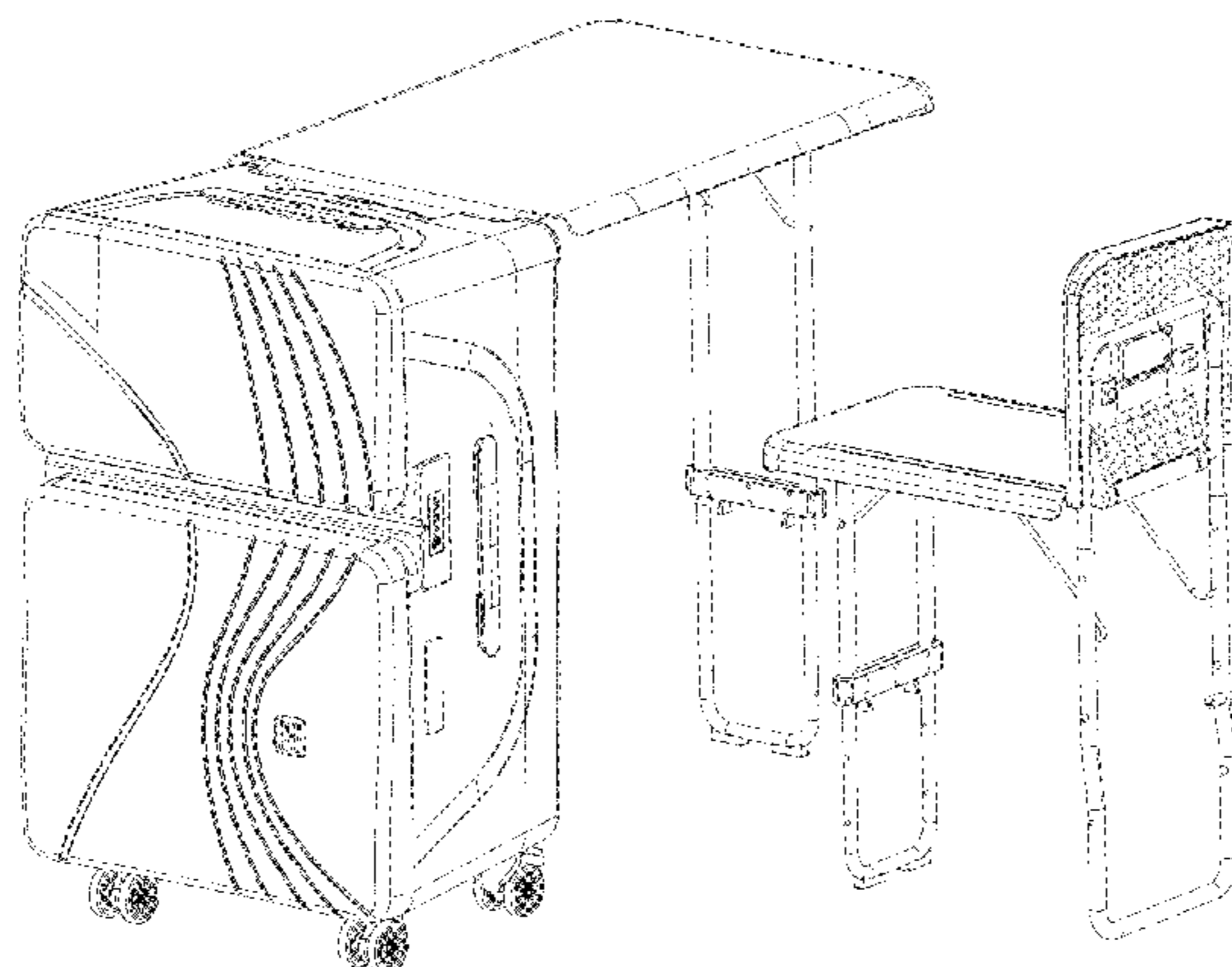
(74) *Attorney, Agent, or Firm* — Hamre, Schumann, Mueller & Larson, P.C.

(57) **CLAIM**
The ornamental design for a multi-function trolley case with retractable table and chair, as shown and described.

DESCRIPTION

FIG. 1 is a front elevational view of a multi-function trolley case with retractable table and chair showing our new design, shown with the trolley case in a folded position;
 FIG. 2 is a top plan view of the multi-function trolley case with retractable table and chair of FIG. 1;
 FIG. 3 is a bottom plan view of the multi-function trolley case with retractable table and chair of FIG. 1;
 FIG. 4 is a left side elevational view of the multi-function trolley case with retractable table and chair of FIG. 1;
 FIG. 5 is a right side elevational view of the multi-function trolley case with retractable table and chair of FIG. 1;
 FIG. 6 is a rear elevational view of the multi-function trolley case with retractable table and chair of FIG. 1;
 FIG. 7 is a perspective view of the multi-function trolley case with retractable table and chair of FIG. 1;
 FIG. 8 is a front elevational view of the multi-function trolley case with retractable table and chair, showing one side of the case partly opened and a chair thereof formed;
 FIG. 9 is a top plan view of the multi-function trolley case with retractable table and chair of FIG. 8;
 FIG. 10 is a bottom plan view of the multi-function trolley case with retractable table and chair of FIG. 8;
 FIG. 11 is a left side elevational view of the multi-function trolley case with retractable table and chair of FIG. 8;
 FIG. 12 is a right side elevational view of the multi-function trolley case with retractable table and chair of FIG. 8;
 FIG. 13 is a rear elevational view of the multi-function trolley case with retractable table and chair of FIG. 8;
 FIG. 14 is a perspective view of the multi-function trolley case with retractable table and chair of FIG. 8;
 FIG. 15 is a front elevational view of the multi-function trolley case with retractable table and chair, shown with the table and chair completely extended from the trolley case;
 FIG. 16 is a top plan view of the multi-function trolley case with retractable table and chair of FIG. 15;
 FIG. 17 is a bottom plan view of the multi-function trolley case with retractable table and chair of FIG. 15;
 FIG. 18 is a left side elevational view of the multi-function trolley case with retractable table and chair of FIG. 15;
 FIG. 19 is a right side elevational view of the multi-function trolley case with retractable table and chair of FIG. 15;
 FIG. 20 is a rear elevational view of the multi-function trolley case with retractable table and chair of FIG. 15; and,
 FIG. 21 is a perspective view of the multi-function trolley case with retractable table and chair of FIG. 15.
 The broken lines illustrate portions of the article and form no part of the claimed design.

1 Claim, 19 Drawing Sheets



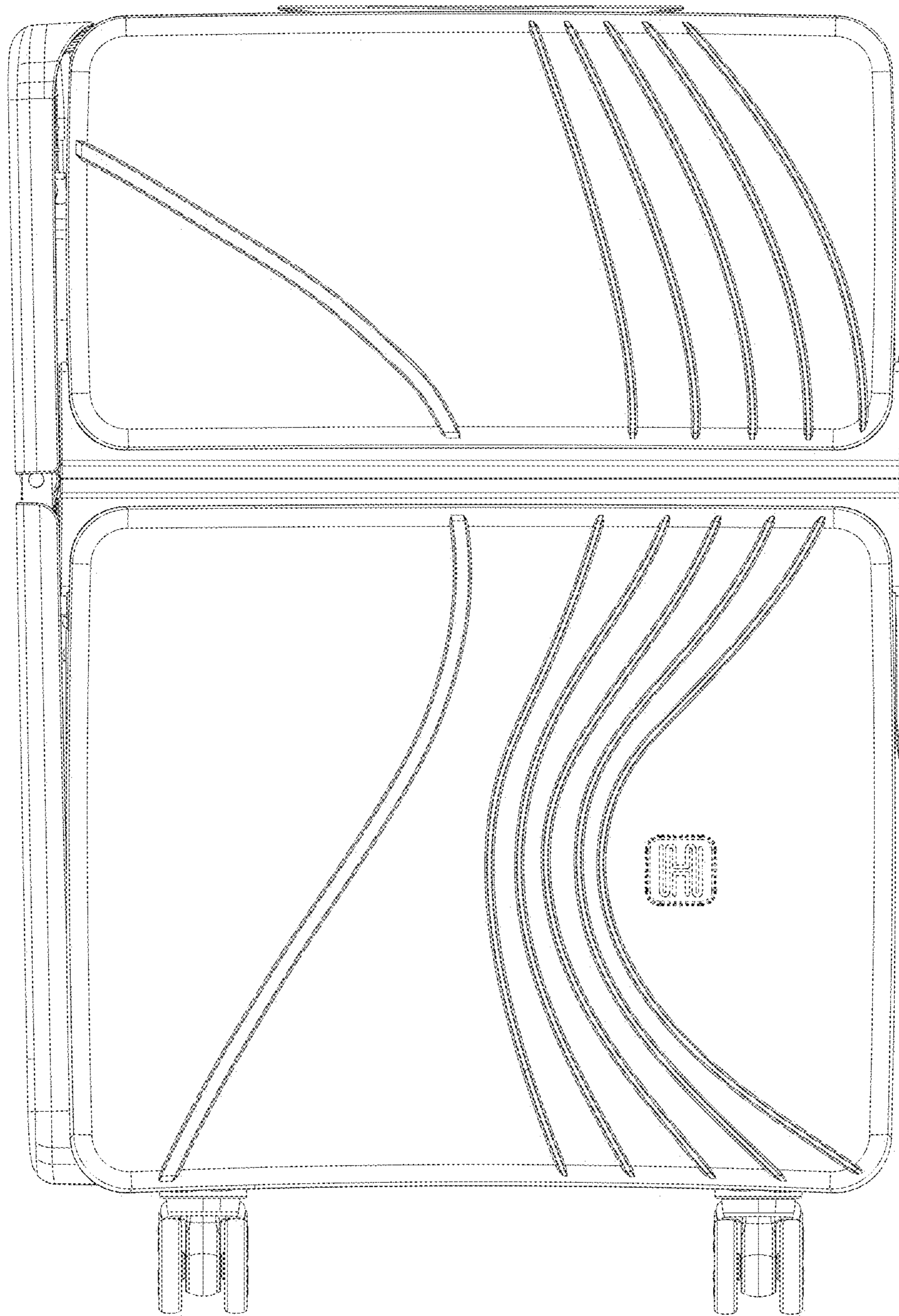


FIG. 1

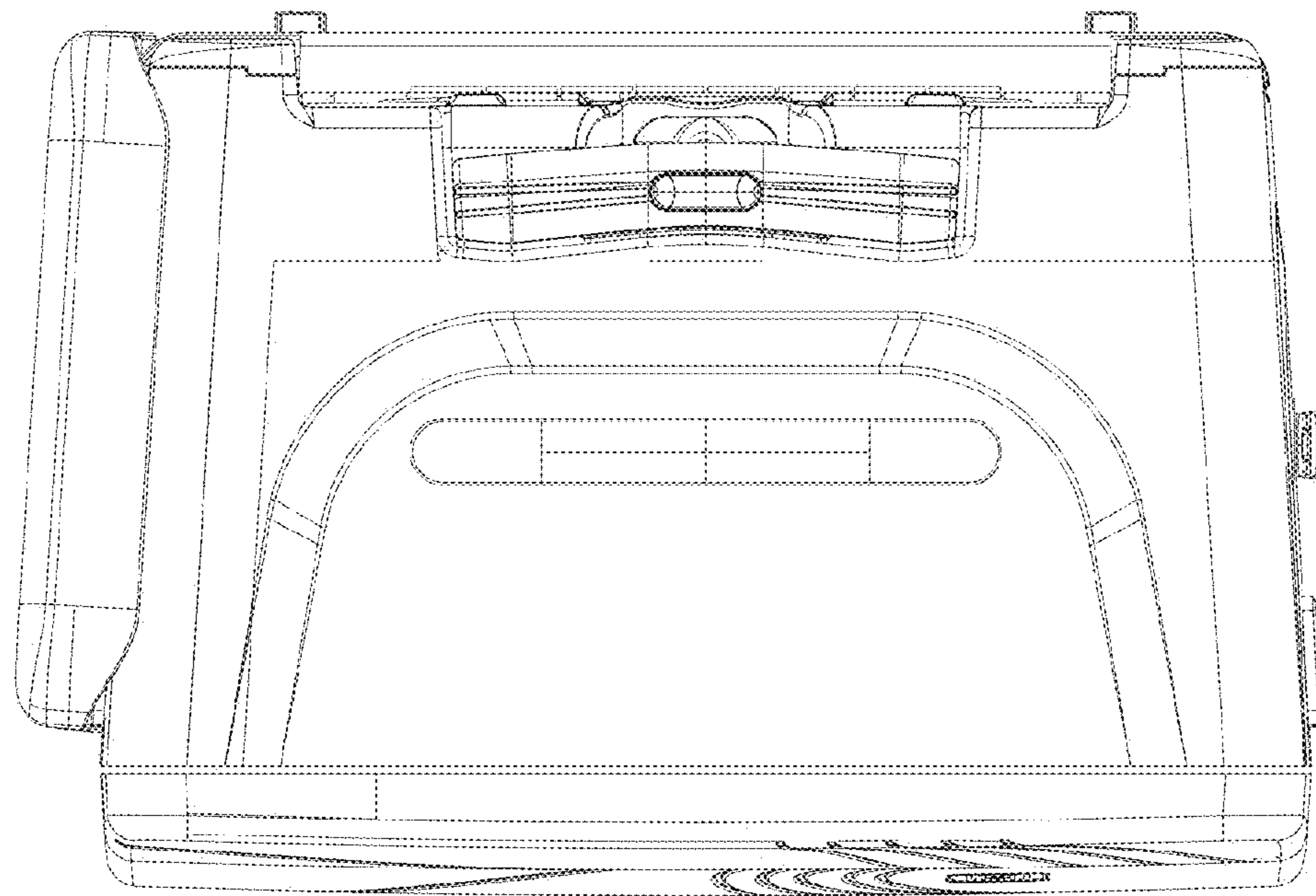


FIG. 2

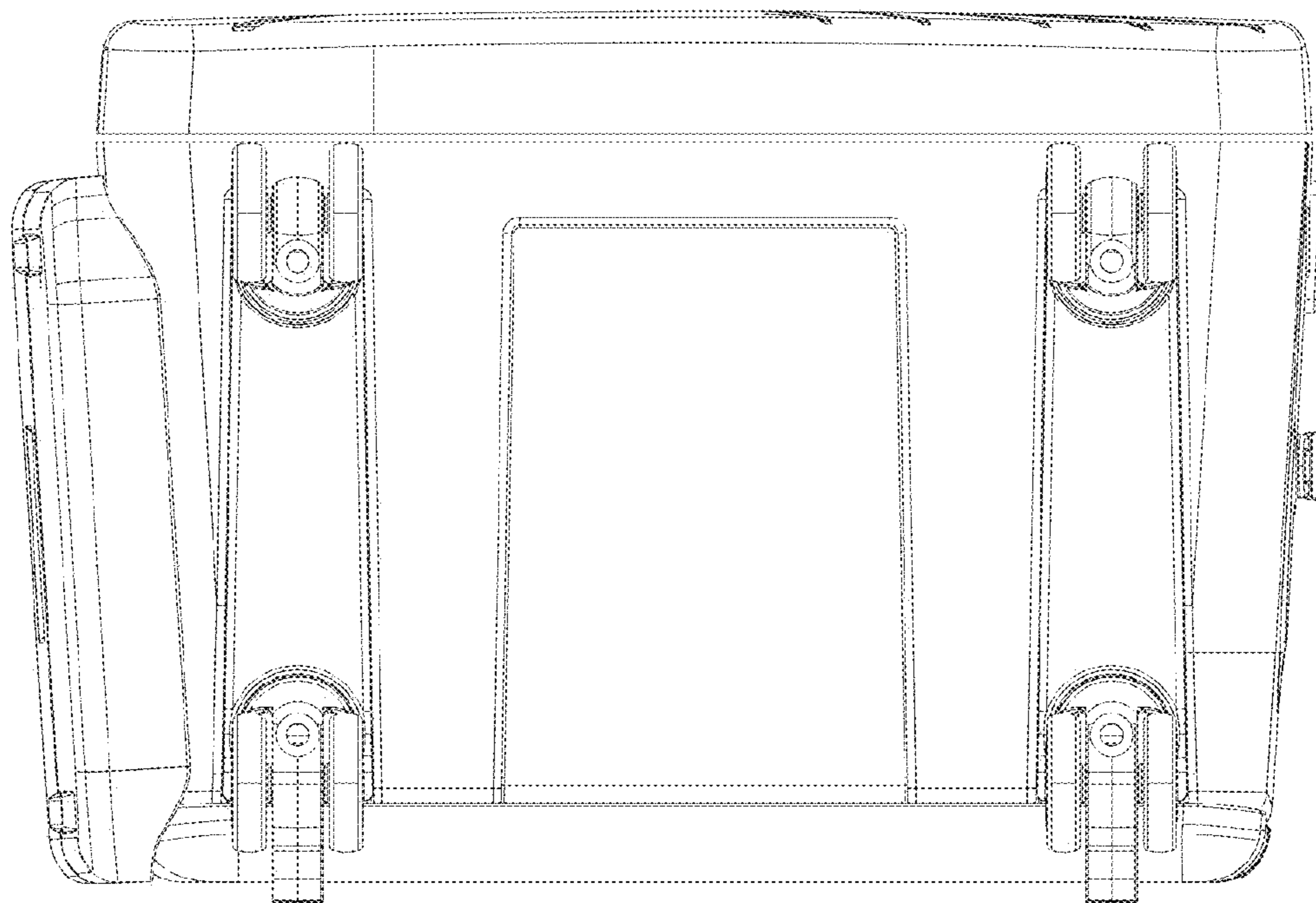


FIG. 3

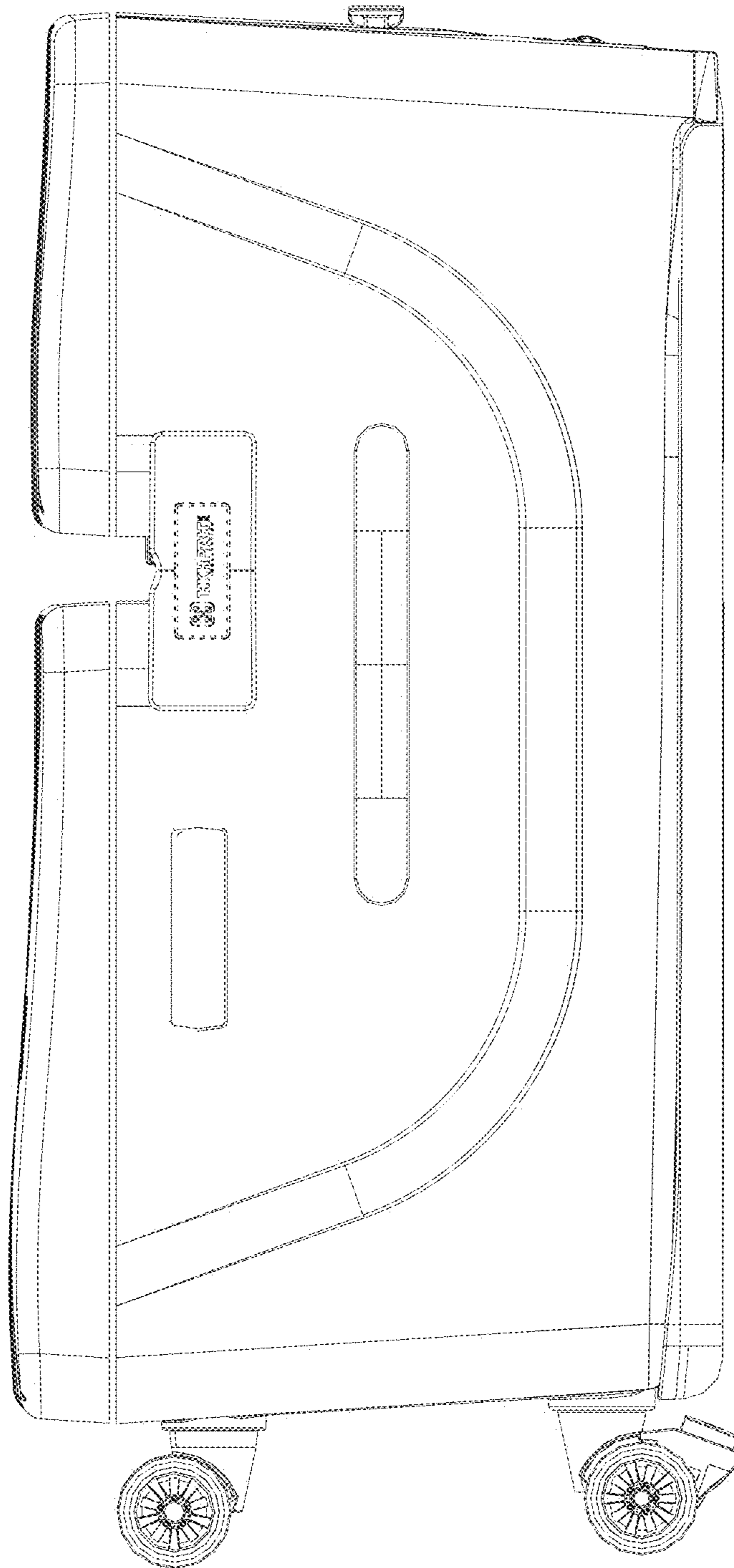


FIG. 4

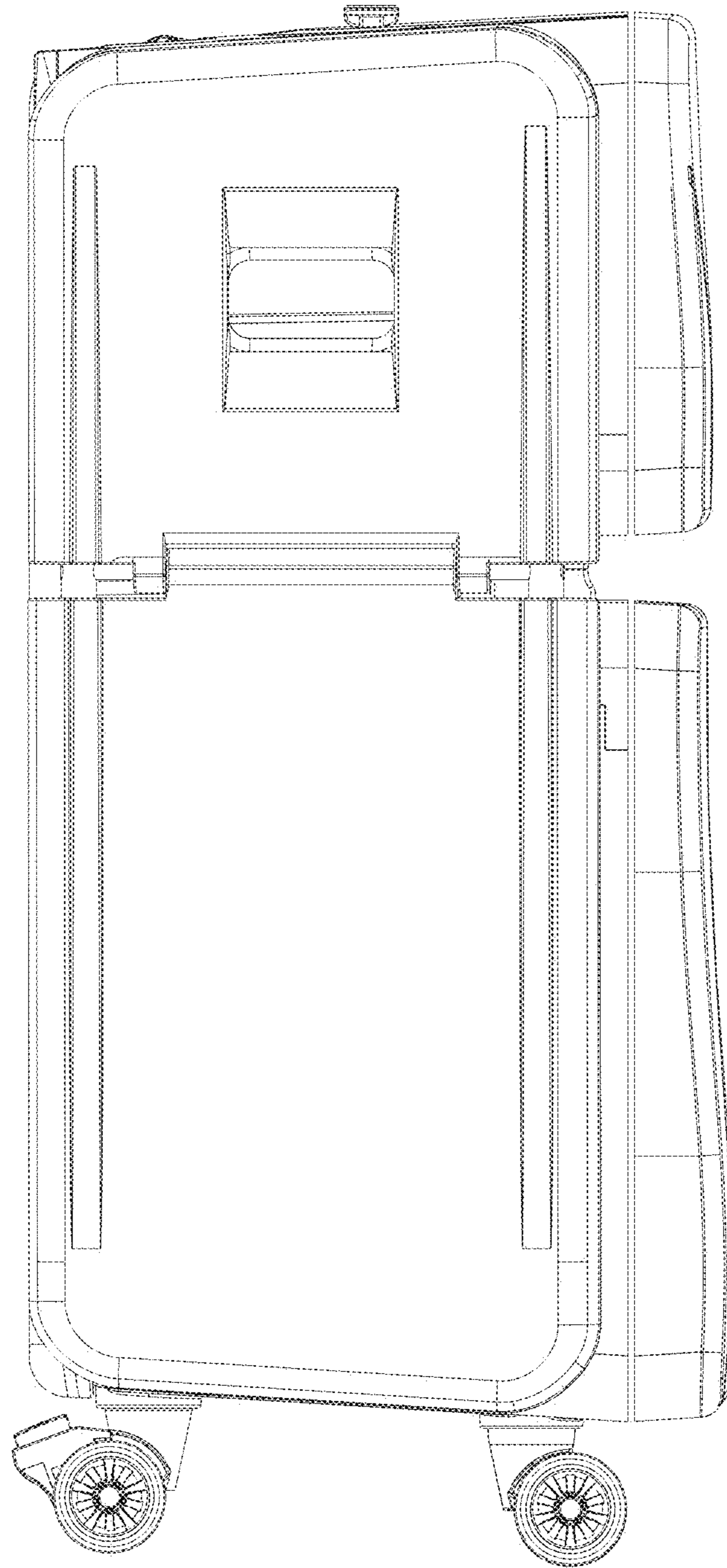


FIG. 5

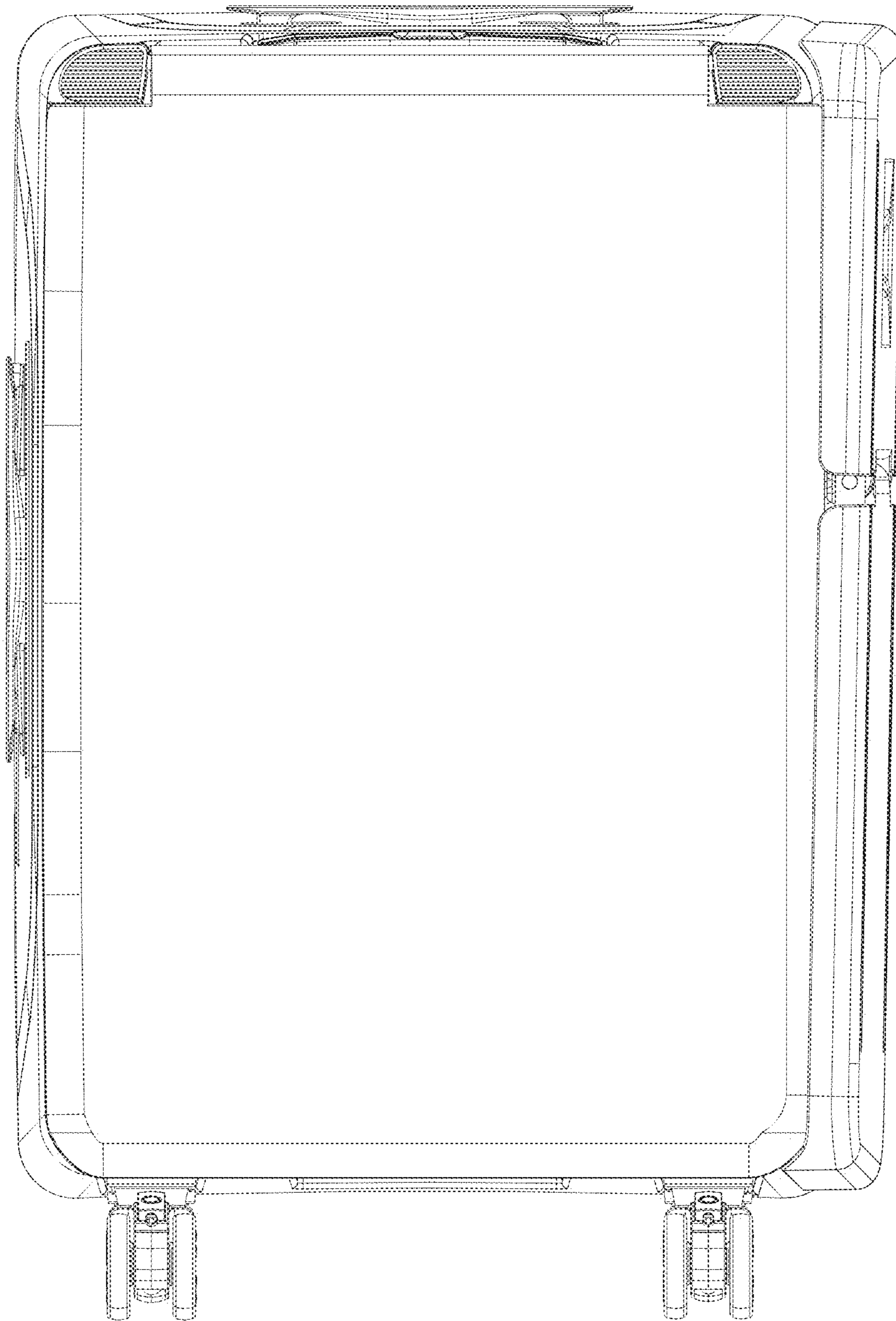


FIG. 6



FIG. 7

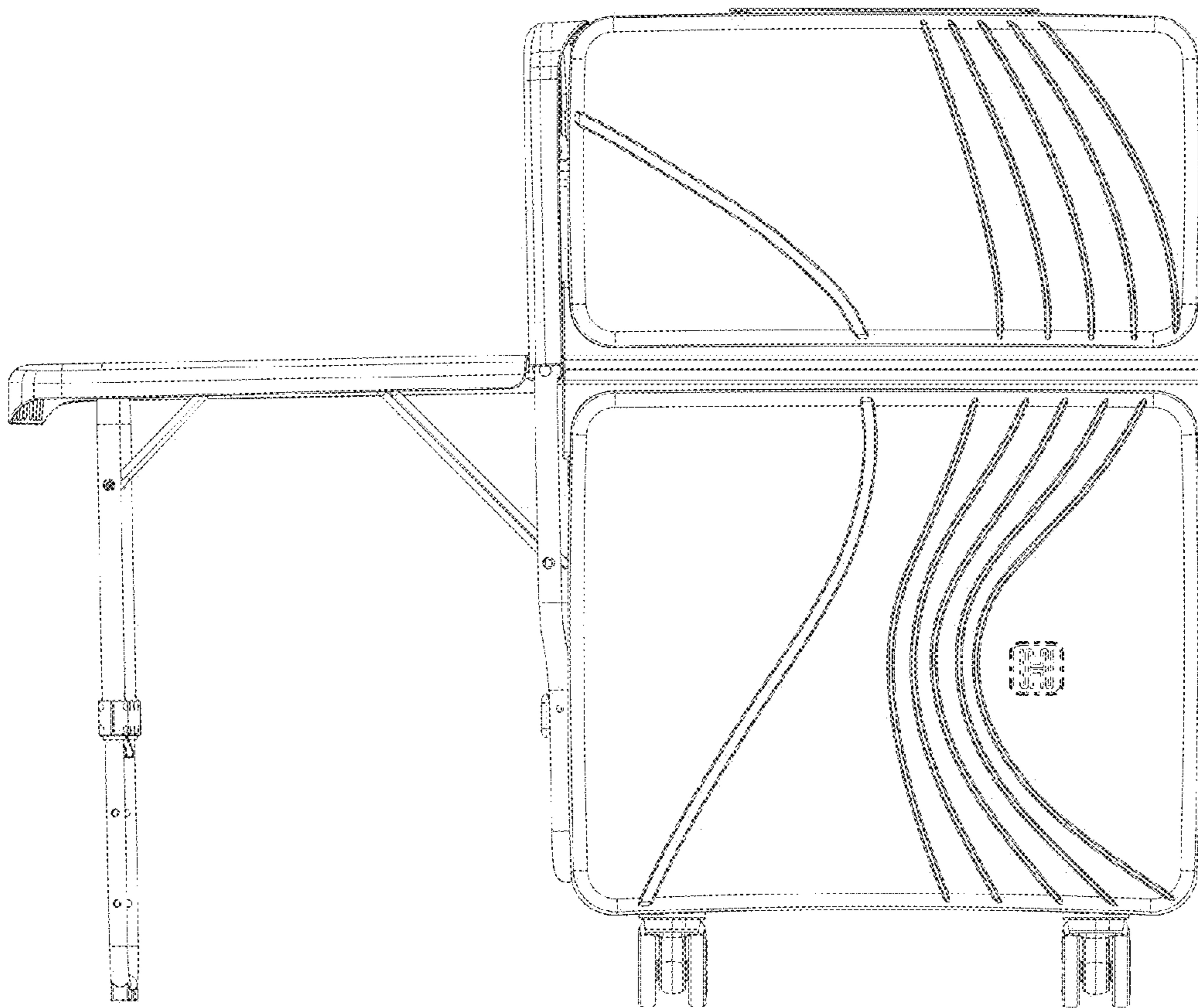


FIG. 8

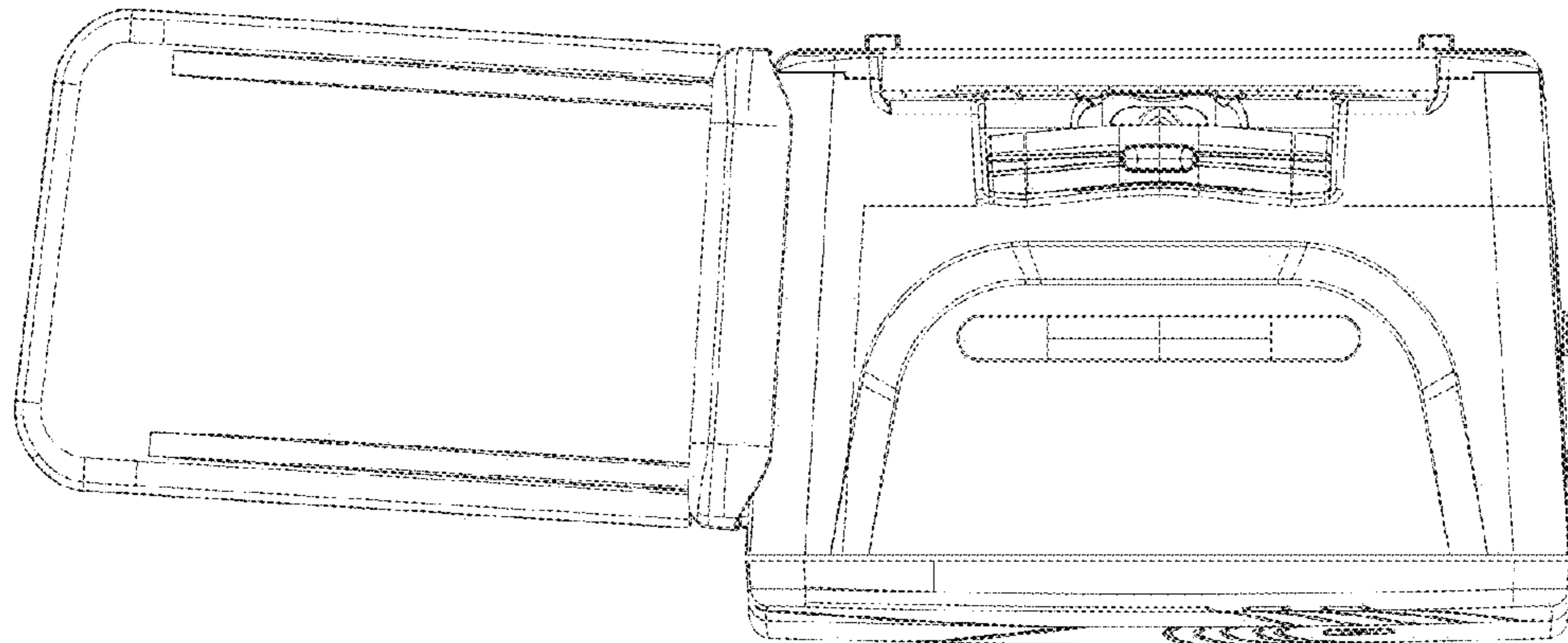


FIG. 9

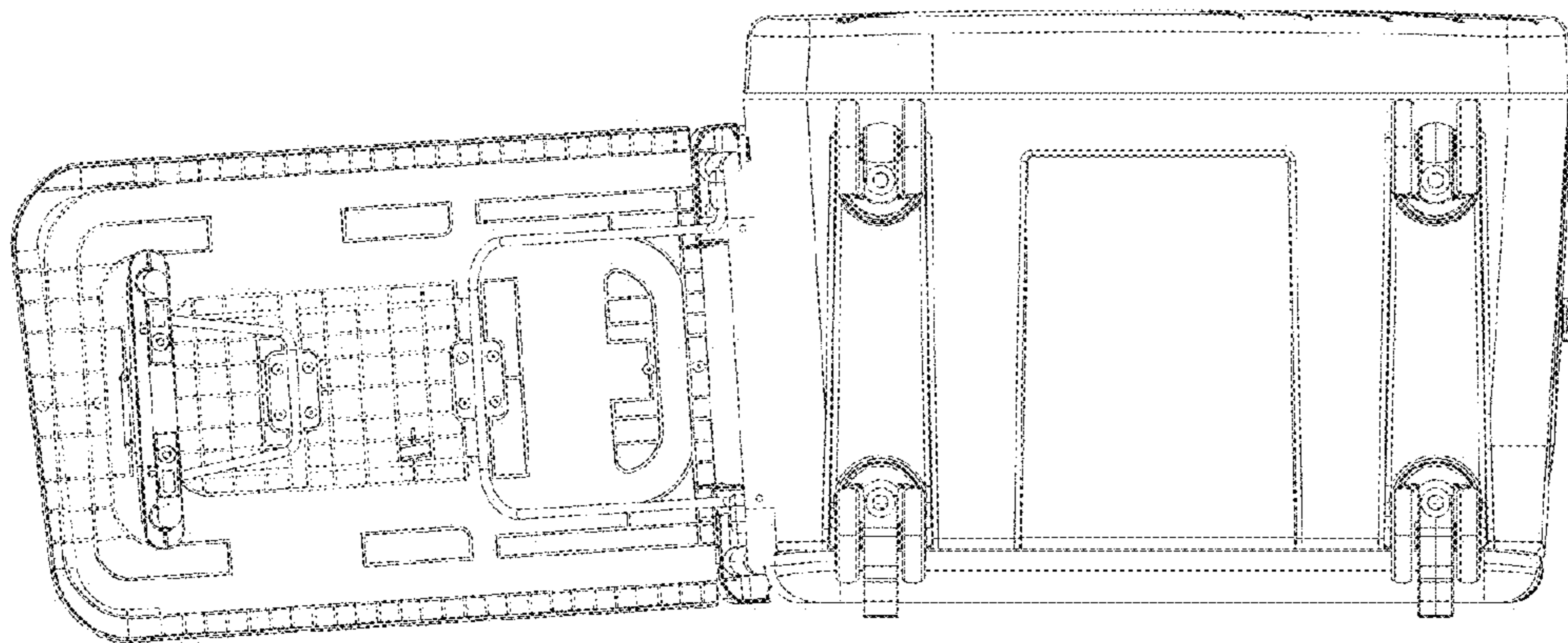


FIG. 10

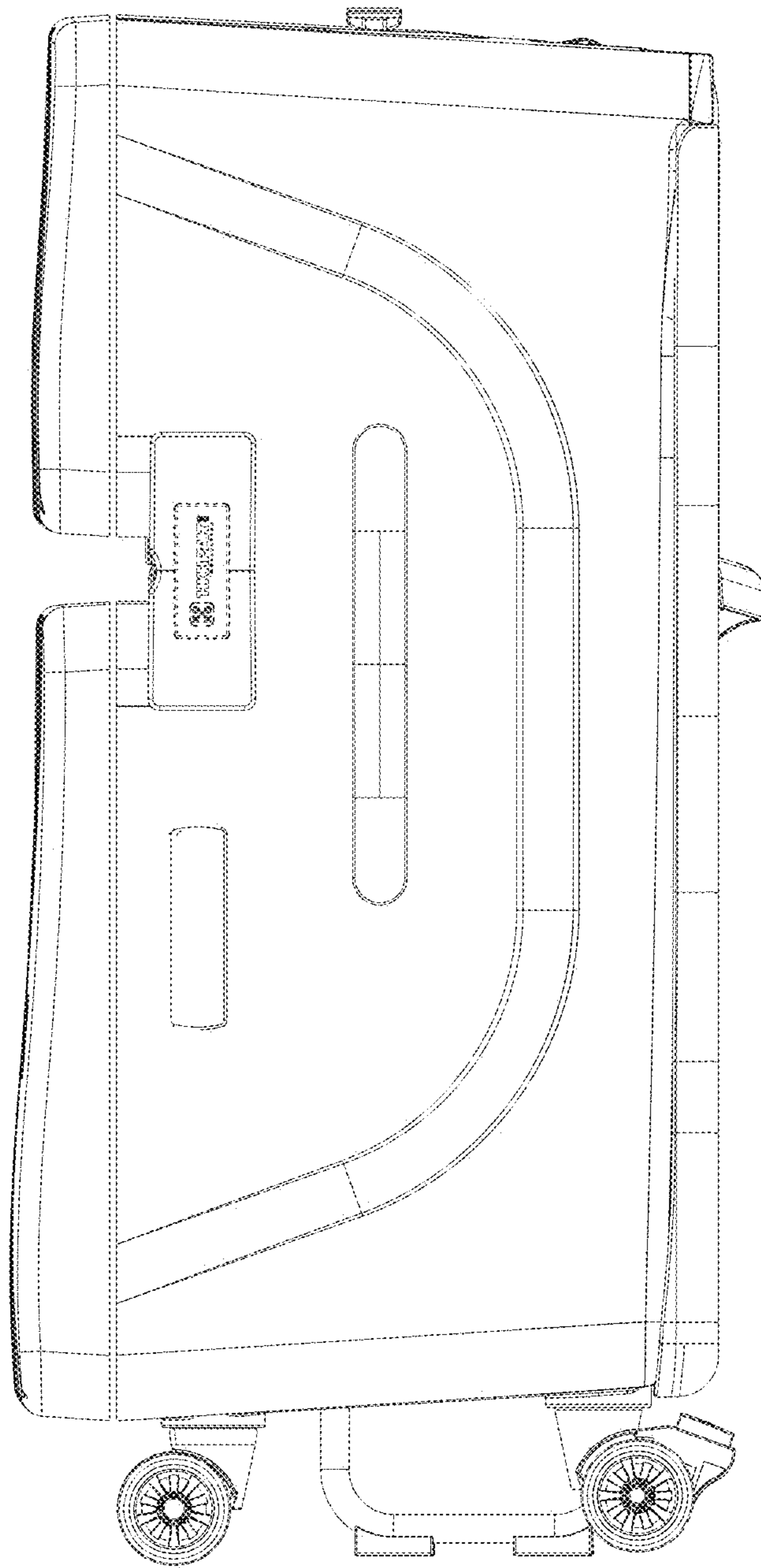


FIG. 11

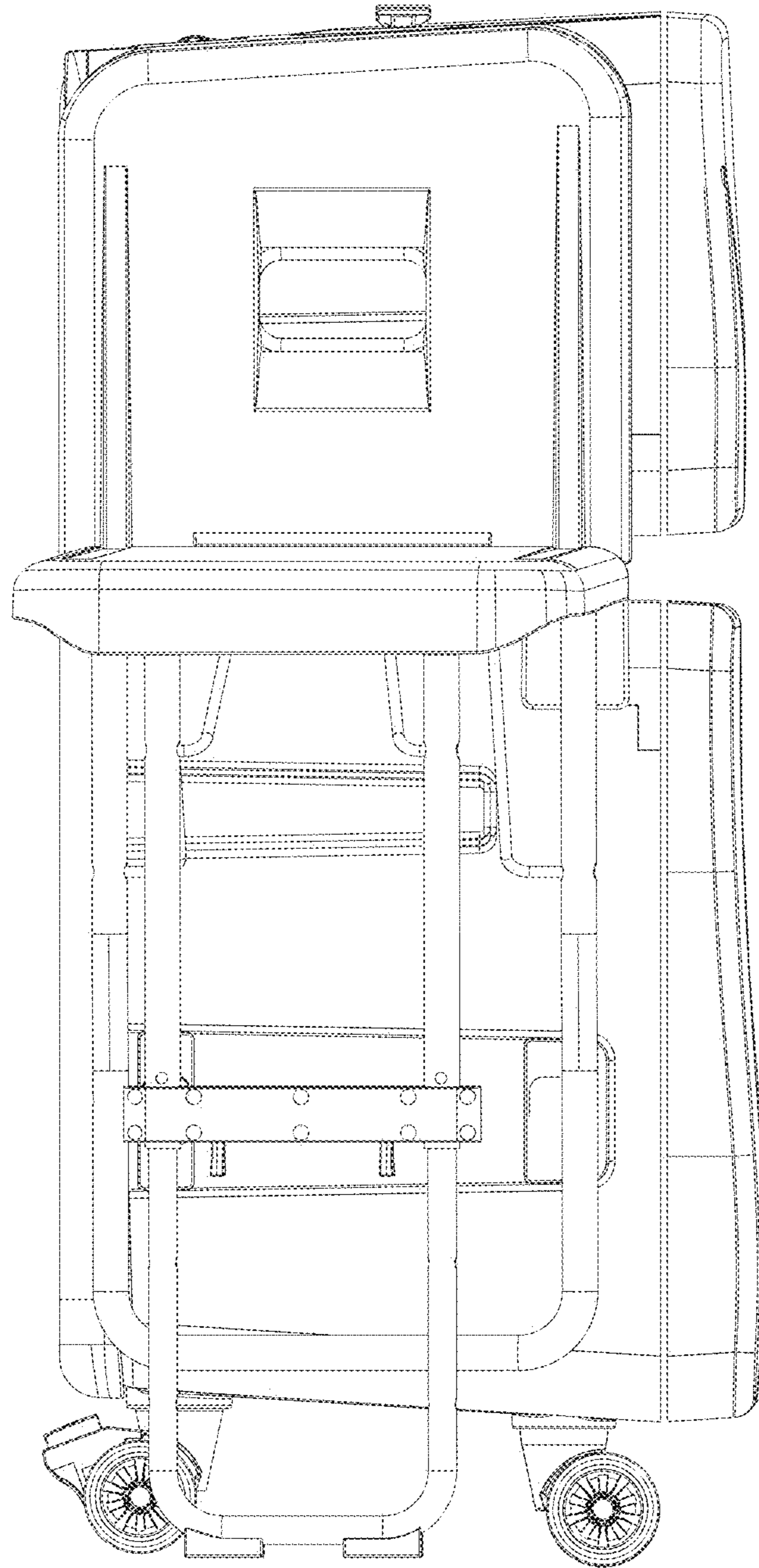


FIG. 12

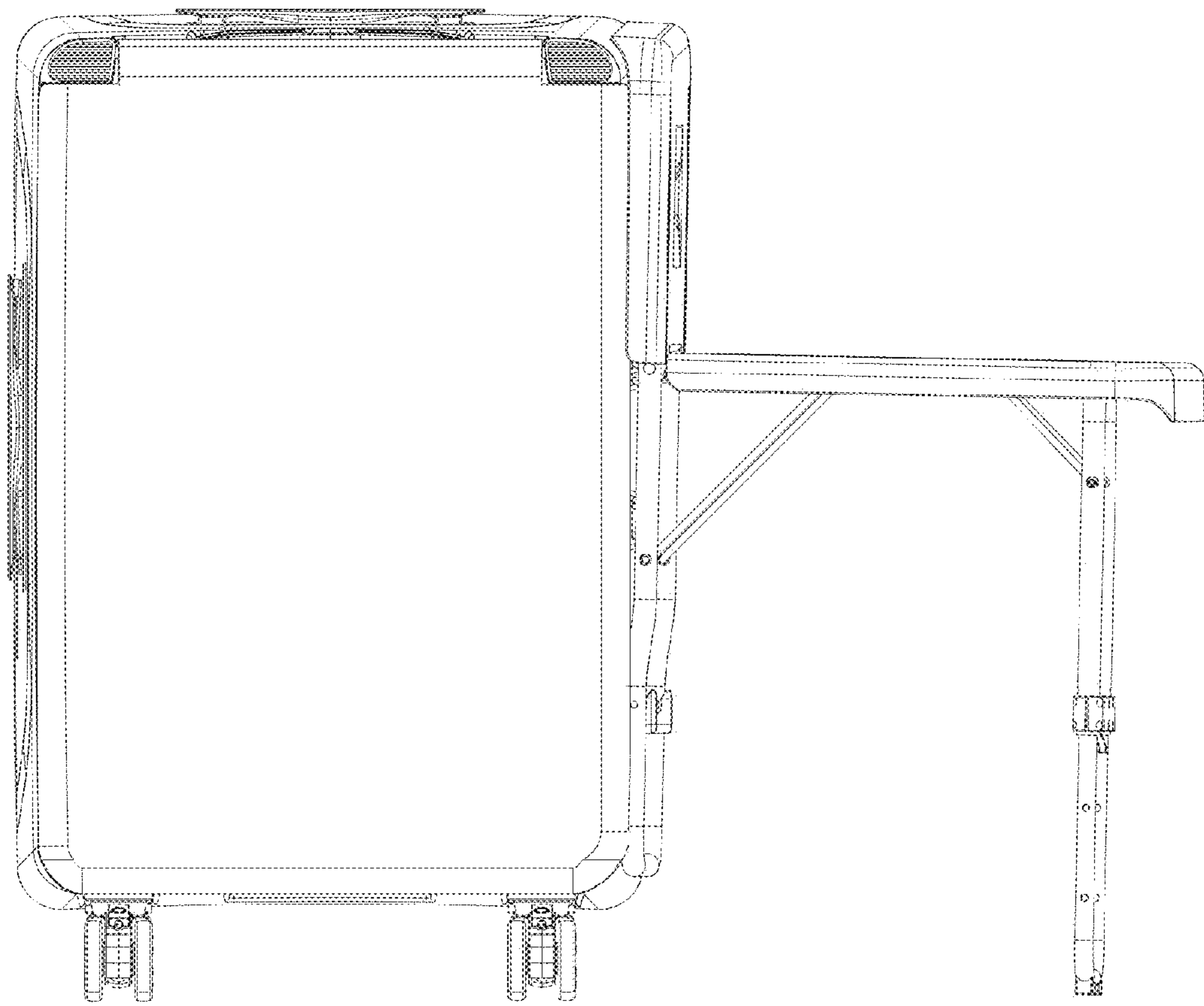


FIG. 13

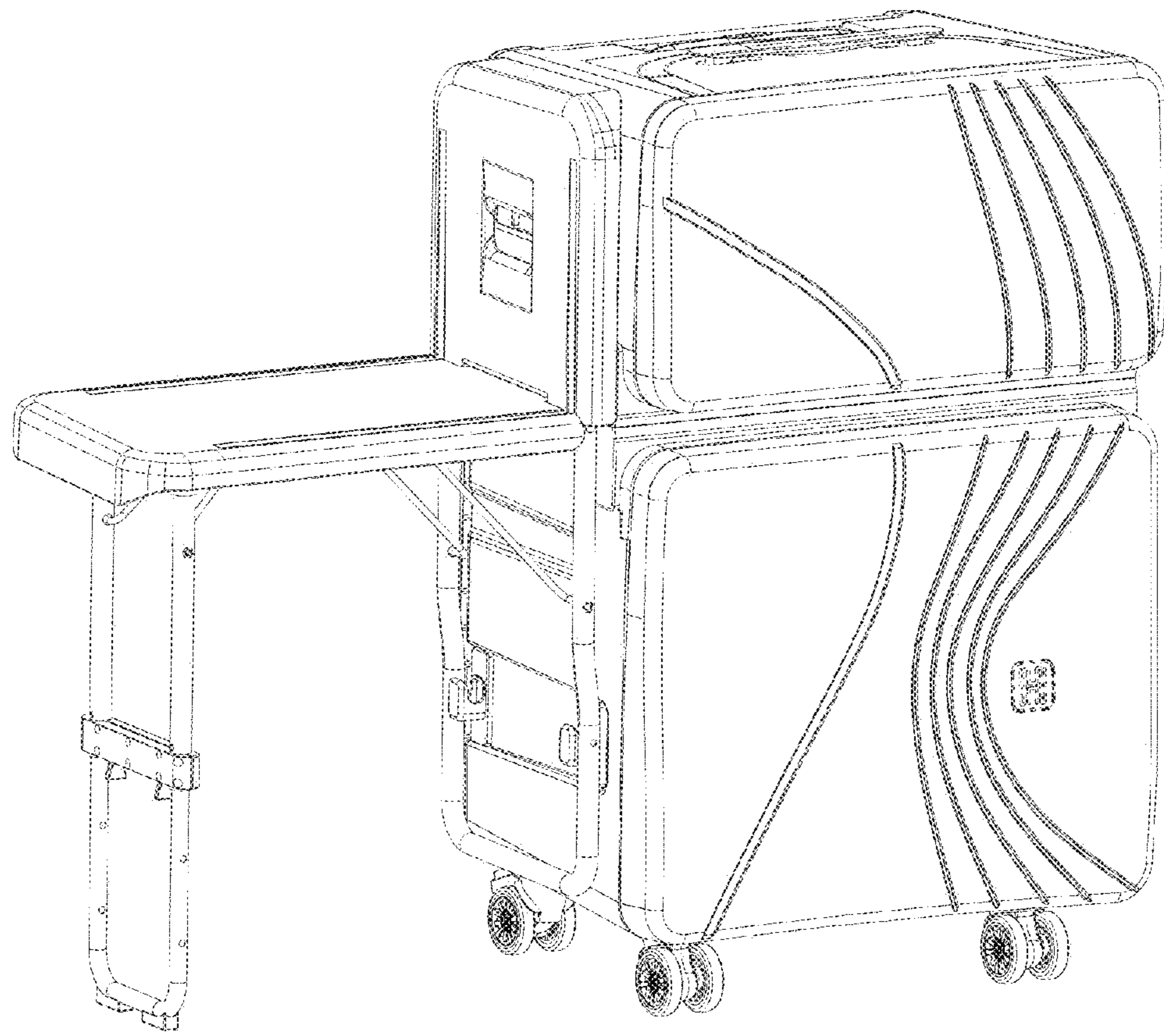


FIG. 14

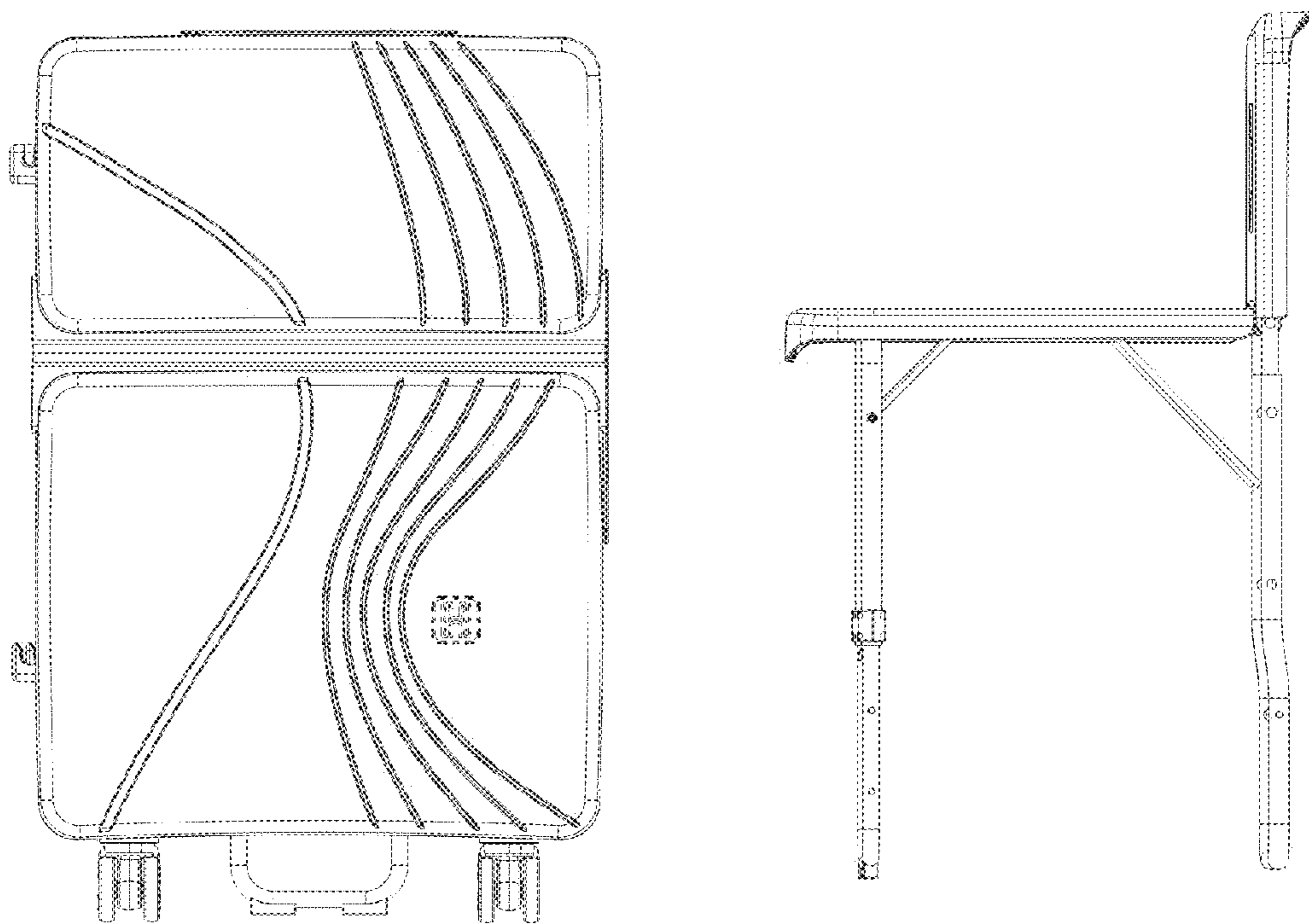


FIG. 15

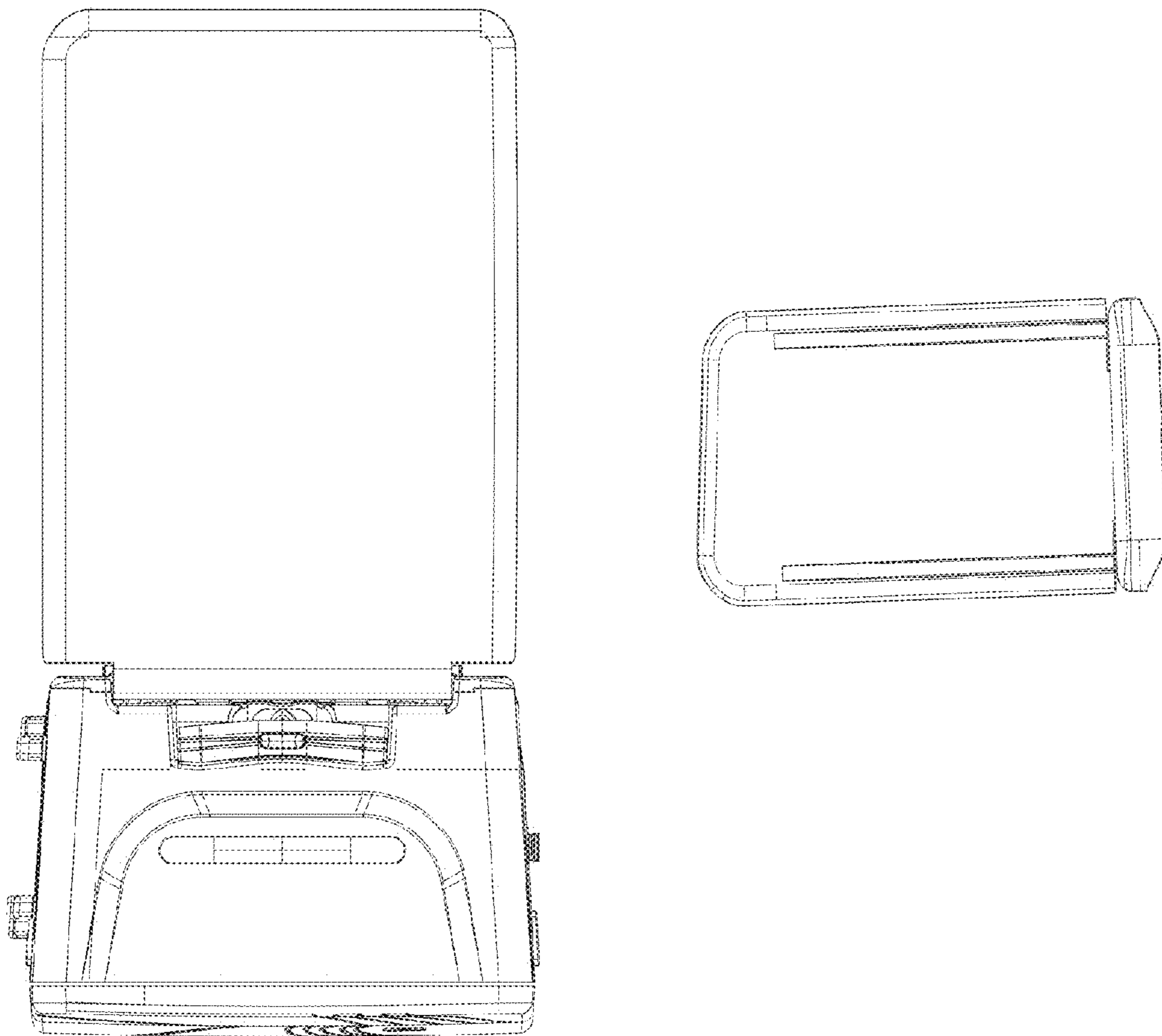


FIG. 16

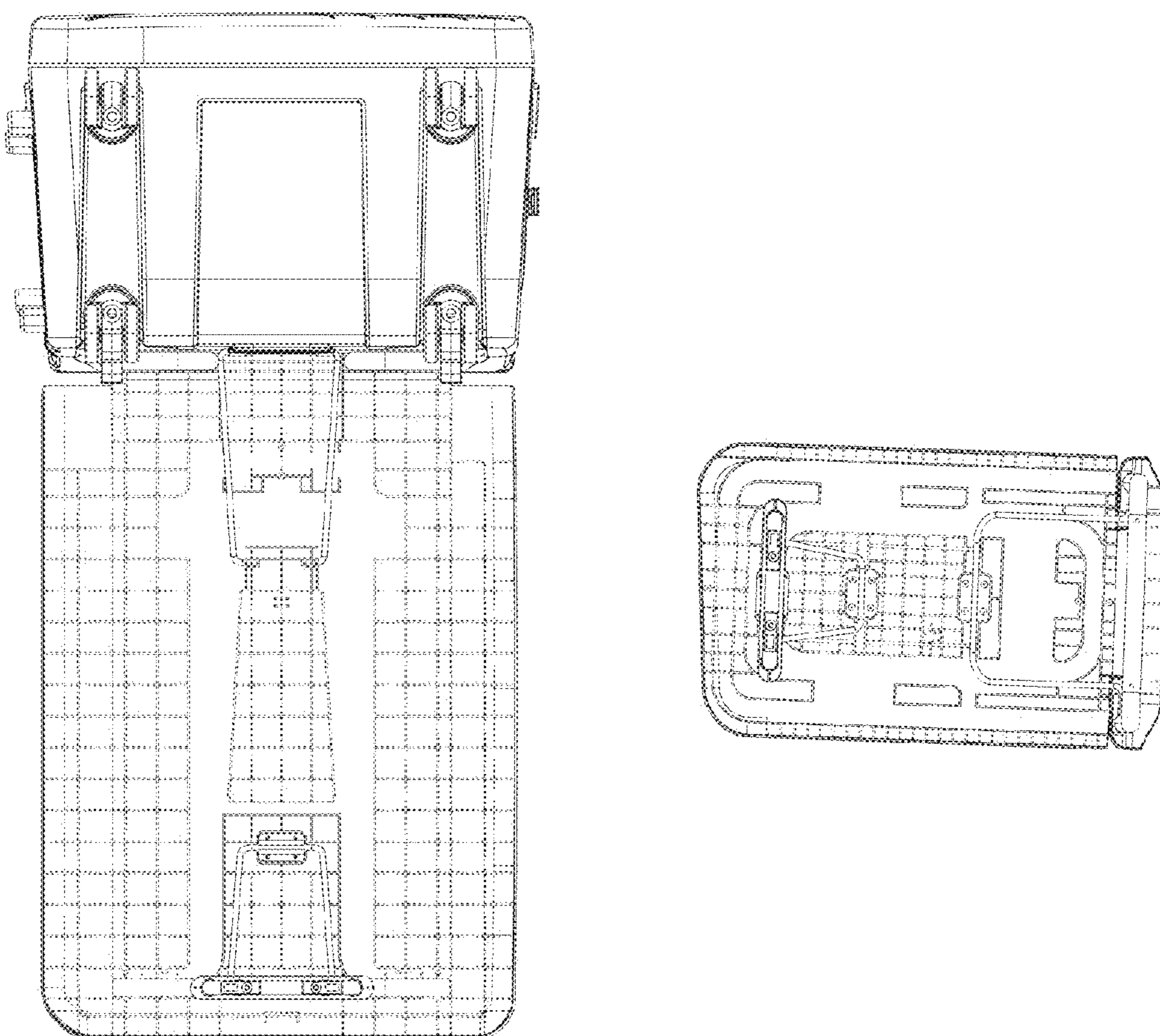


FIG. 17

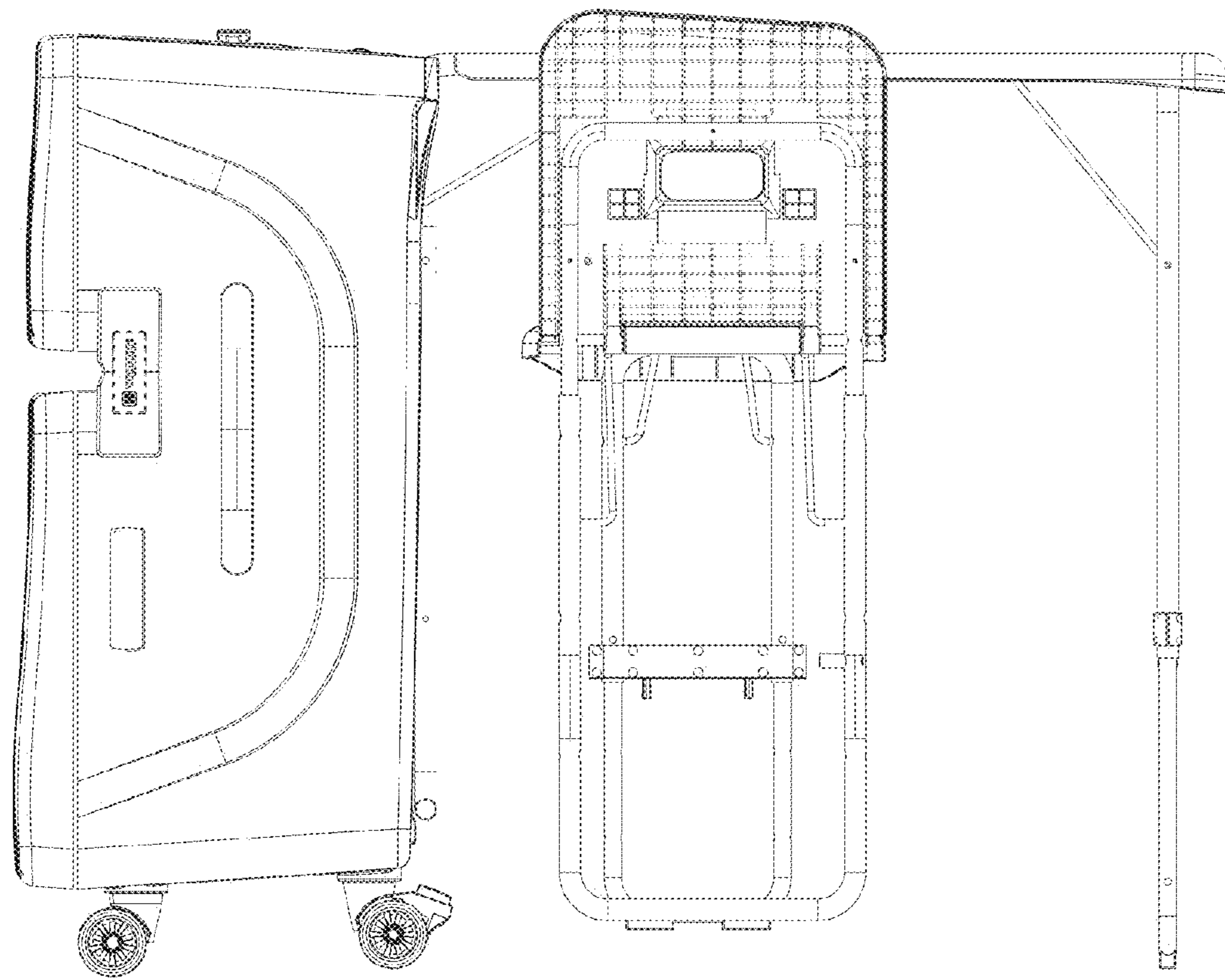


FIG. 18

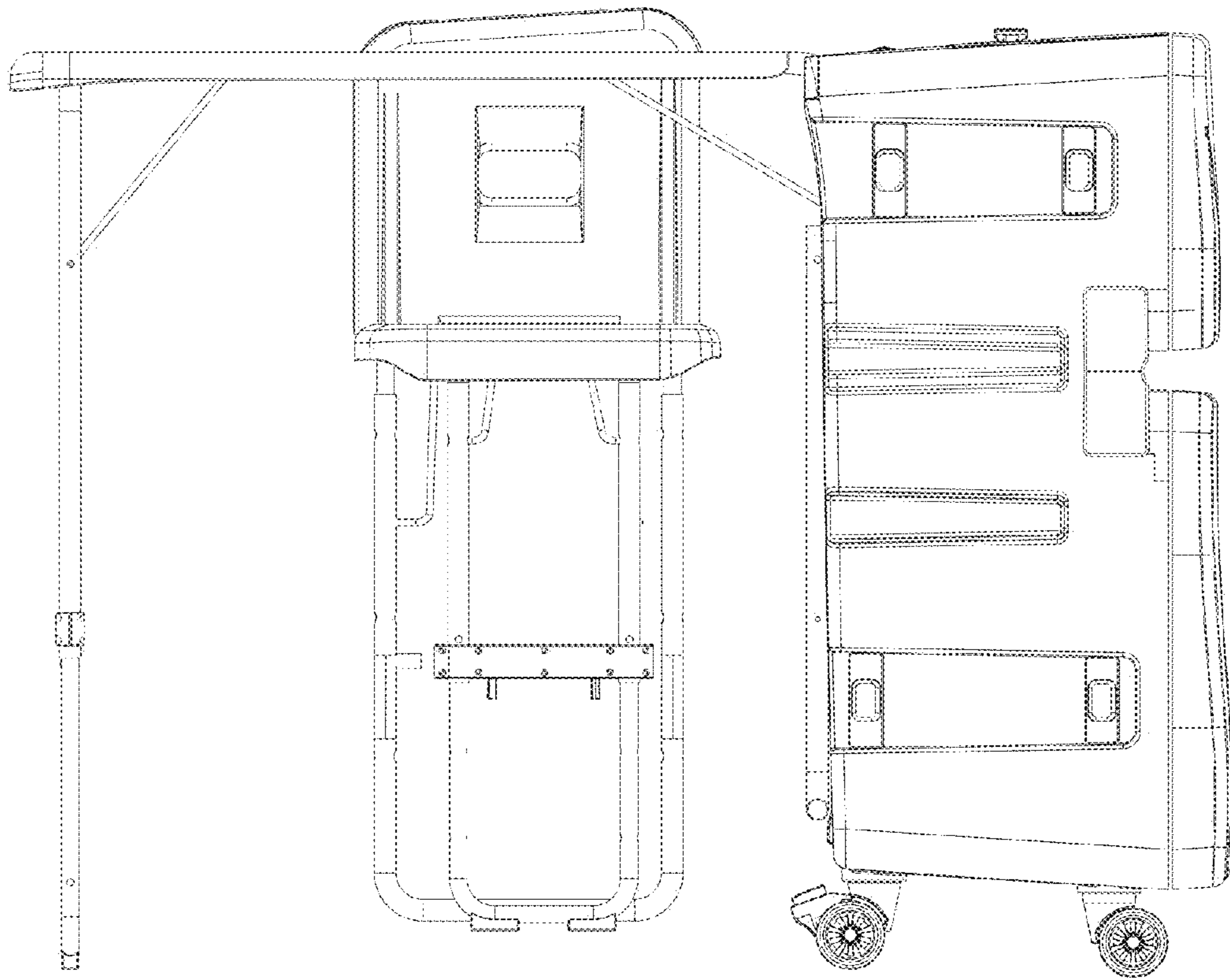


FIG. 19

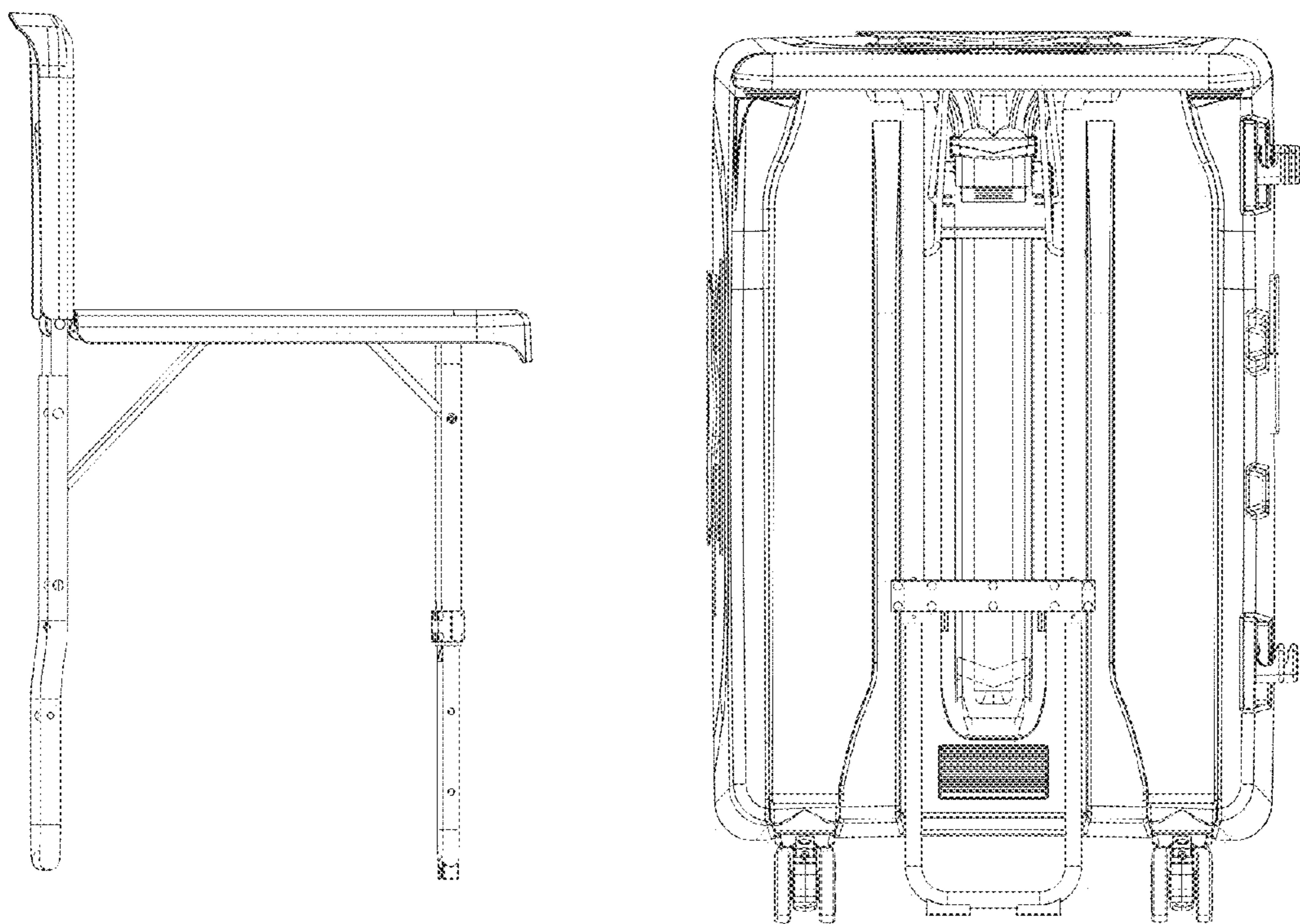


FIG. 20

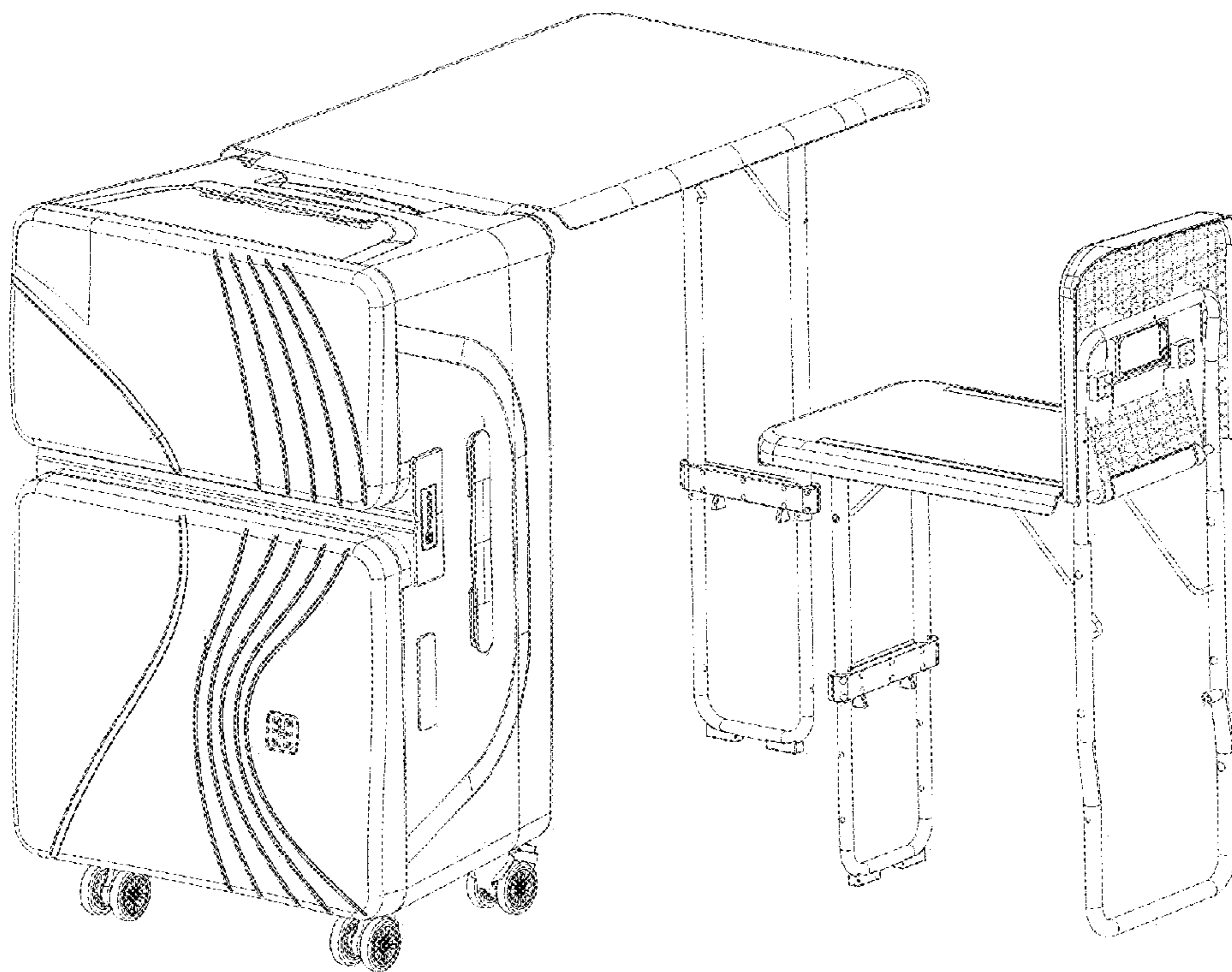


FIG. 21