



US00D734029S

(12) **United States Design Patent**
Lee, II

(10) **Patent No.:** **US D734,029 S**
(45) **Date of Patent:** **** Jul. 14, 2015**

(54) **CARGO CONTAINER**

(71) Applicant: **Air Cargo Containers, LLC**, Phoenix, AZ (US)

(72) Inventor: **Charles H. Lee, II**, Indianapolis, IN (US)

(73) Assignee: **AIR CARGO CONTAINERS, LLC**, Phoenix, AZ (US)

(**) Term: **14 Years**

(21) Appl. No.: **29/462,237**

(22) Filed: **Jul. 31, 2013**

(51) **LOC (10) Cl.** **03-01**

(52) **U.S. Cl.**
USPC **D3/272**

(58) **Field of Classification Search**
USPC D3/272, 273, 276, 279, 290, 299, 302, D3/905; 220/1.5, 651, 626, 372-379, 545, 220/548; 206/523-528; 410/67, 35, 46
CPC B65D 88/52; B65D 88/526; B65D 88/12; B65D 88/127; B65D 88/02; B65D 88/14
See application file for complete search history.

(56) **References Cited**

U.S. PATENT DOCUMENTS

D60,108 S * 12/1921 Homadka D3/272
1,874,901 A * 8/1932 Christiansen 220/1.5

3,001,662 A * 9/1961 Herpich 220/1.5
D325,456 S * 4/1992 Scaife D99/28
5,217,132 A * 6/1993 Looker 220/1.5
D452,294 S * 12/2001 Harthoorn et al. D23/202
6,332,554 B1 * 12/2001 McCarthy 220/554
D460,259 S * 7/2002 Oelfke D3/284
6,824,338 B2 * 11/2004 Looker 410/67
7,063,227 B2 * 6/2006 Looker 220/345.1
D580,653 S * 11/2008 Robaina D3/272
D644,839 S * 9/2011 Pitts D3/295
D647,700 S * 11/2011 Sayag D3/272
8,739,996 B2 * 6/2014 Looker 220/1.5
2012/0118881 A1 * 5/2012 Holland et al. 220/1.5

* cited by examiner

Primary Examiner — Jennifer Rivard

Assistant Examiner — April Rivas

(74) *Attorney, Agent, or Firm* — Keith J. Swedo; Bingham Greenebaum Doll LLP

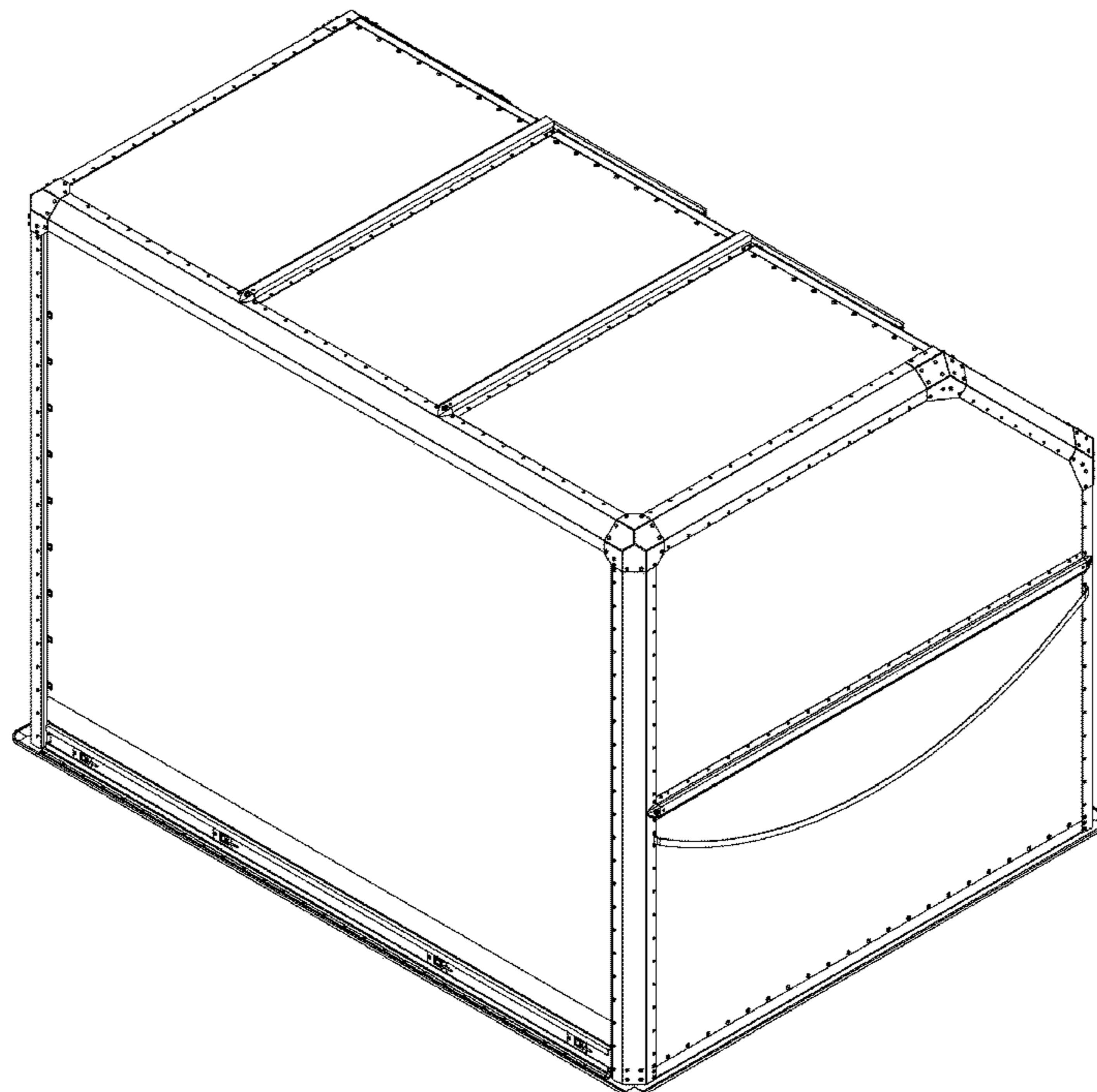
(57) **CLAIM**

The ornamental design for a cargo container, as shown and described.

DESCRIPTION

FIG. 1 is a front perspective view of a cargo container;
FIG. 2 is a front view thereof;
FIG. 3 is a rear view thereof;
FIG. 4 is a right side view thereof;
FIG. 5 is a left side view thereof; and,
FIG. 6 is a top view thereof.

1 Claim, 6 Drawing Sheets



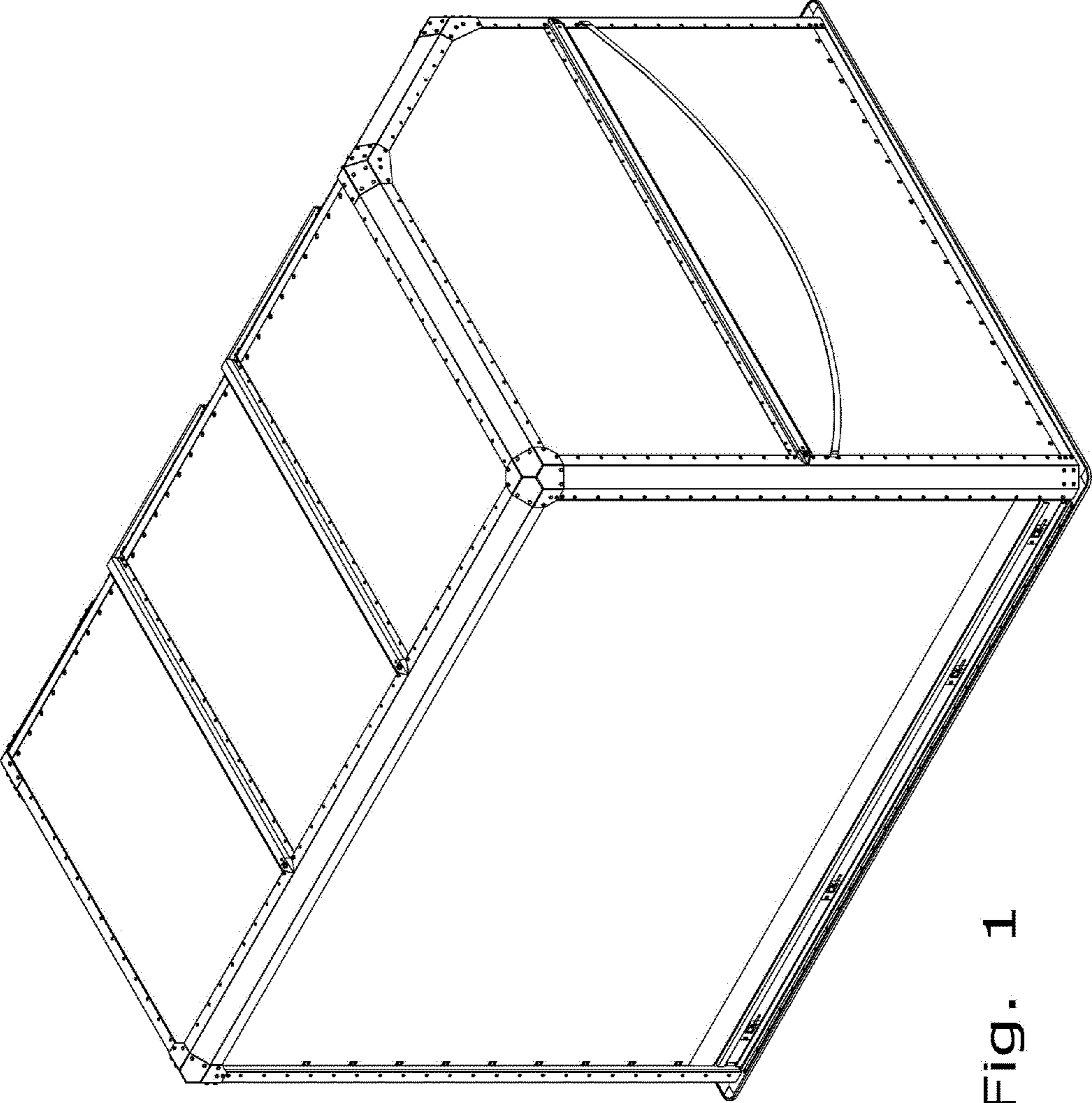


Fig. 1

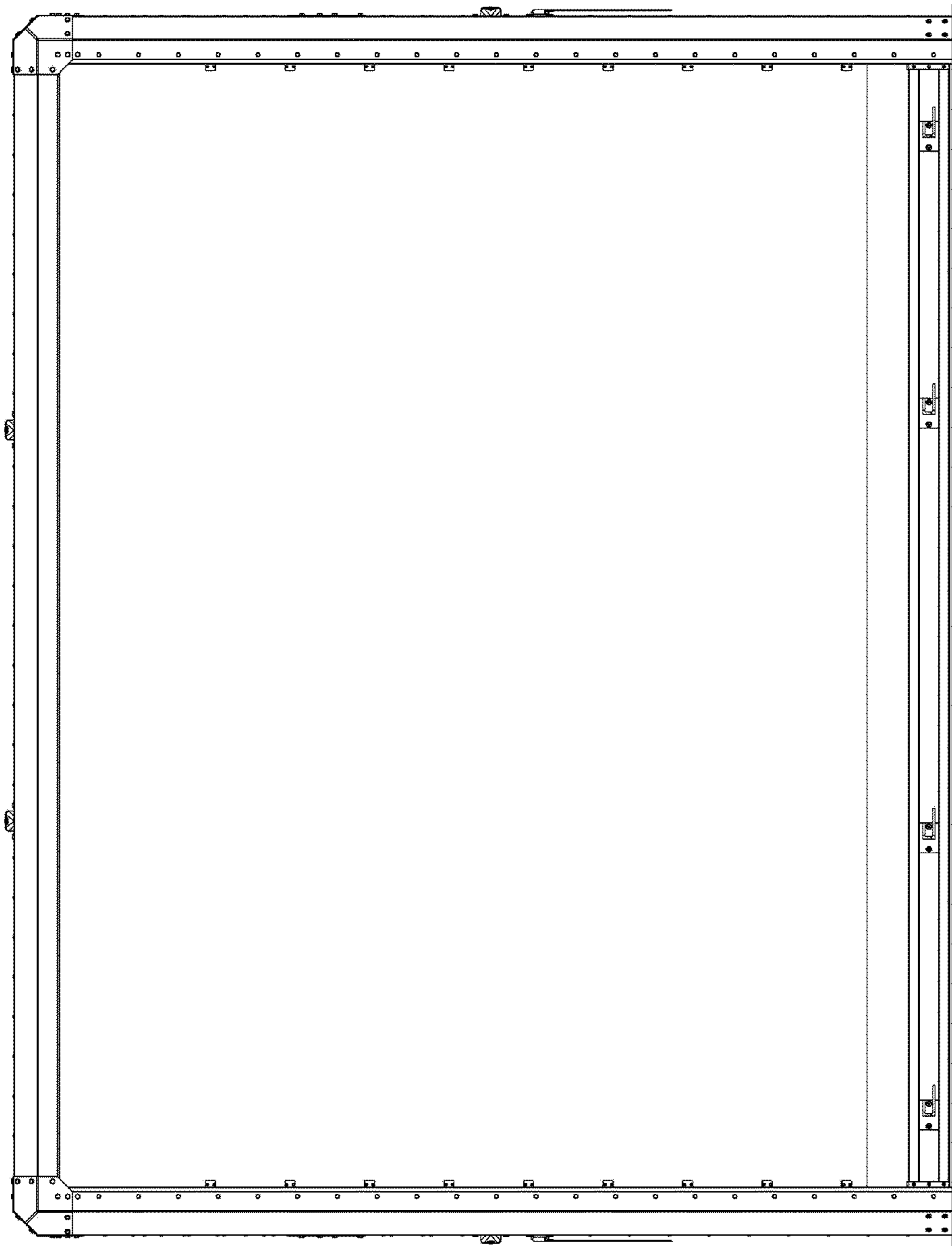


Fig. 2

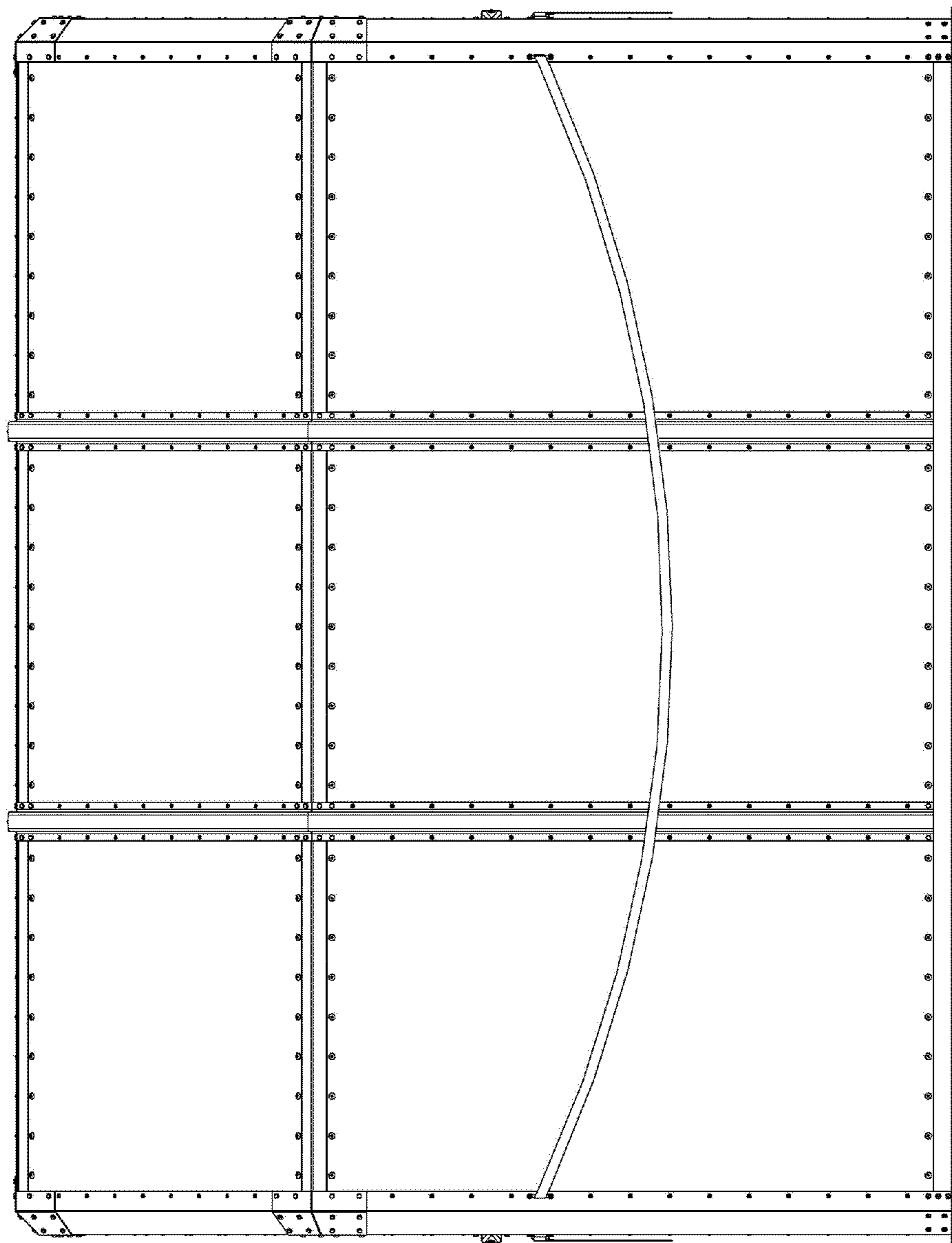


Fig. 3

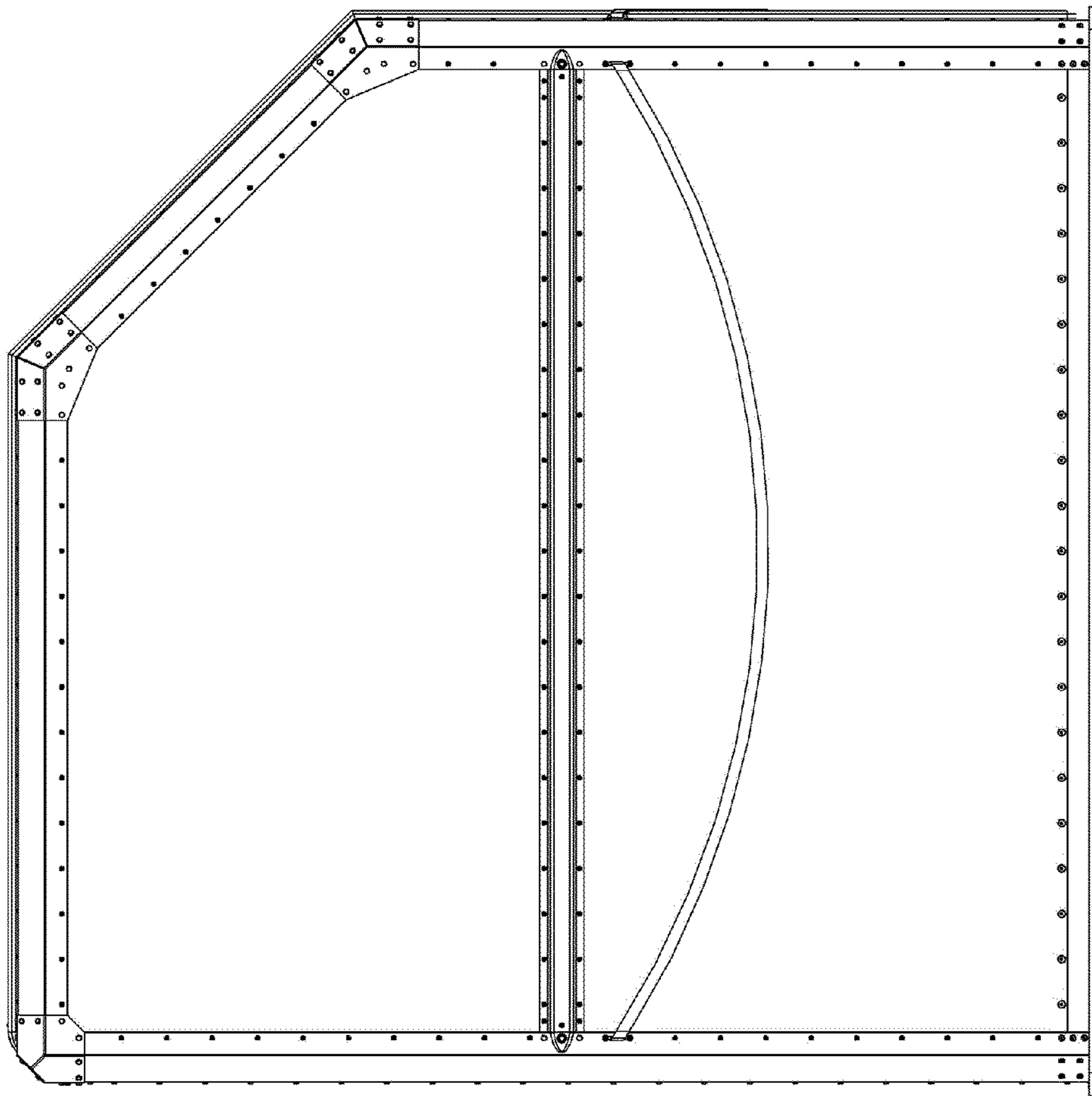


Fig. 4

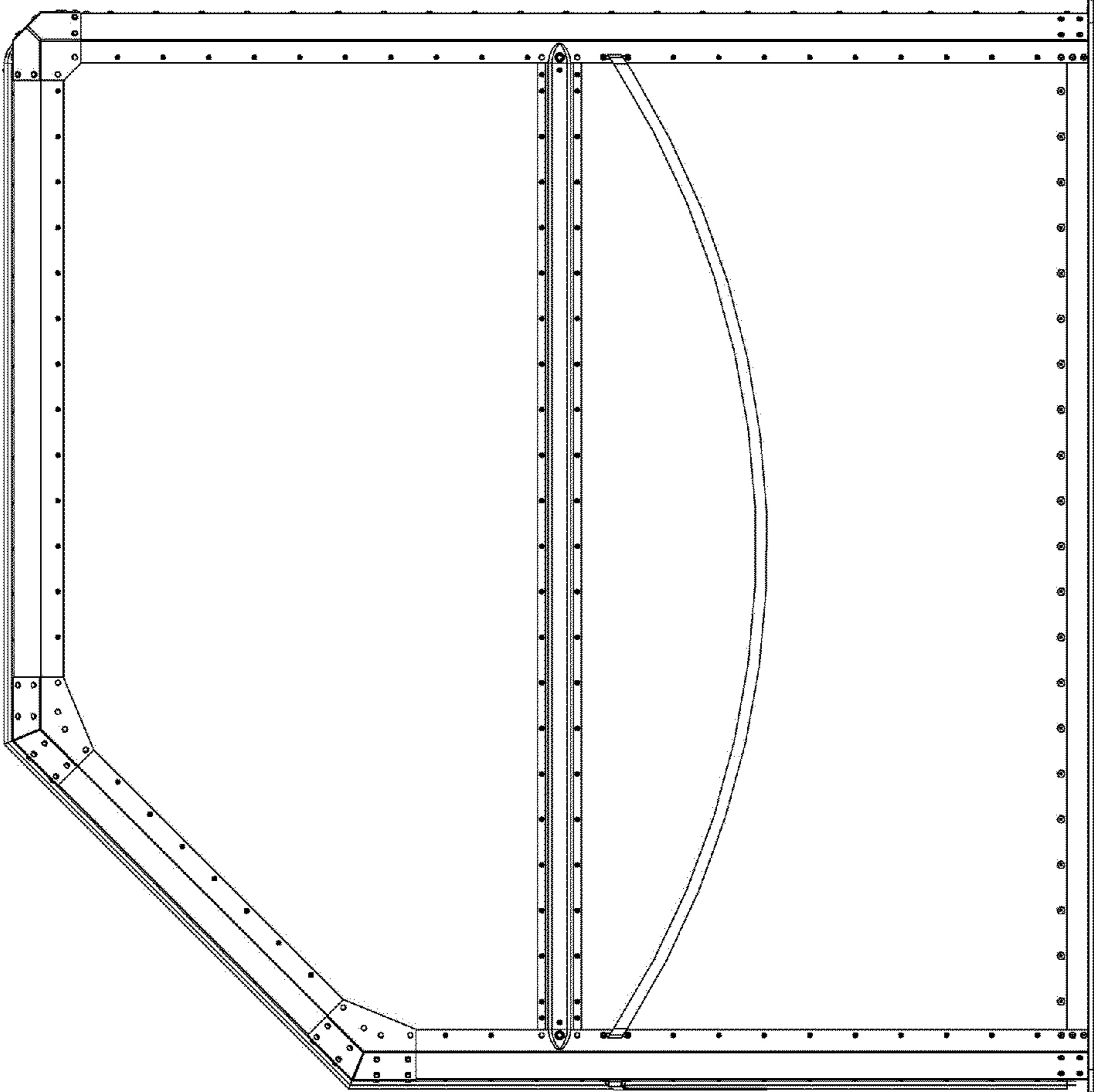


Fig. 5

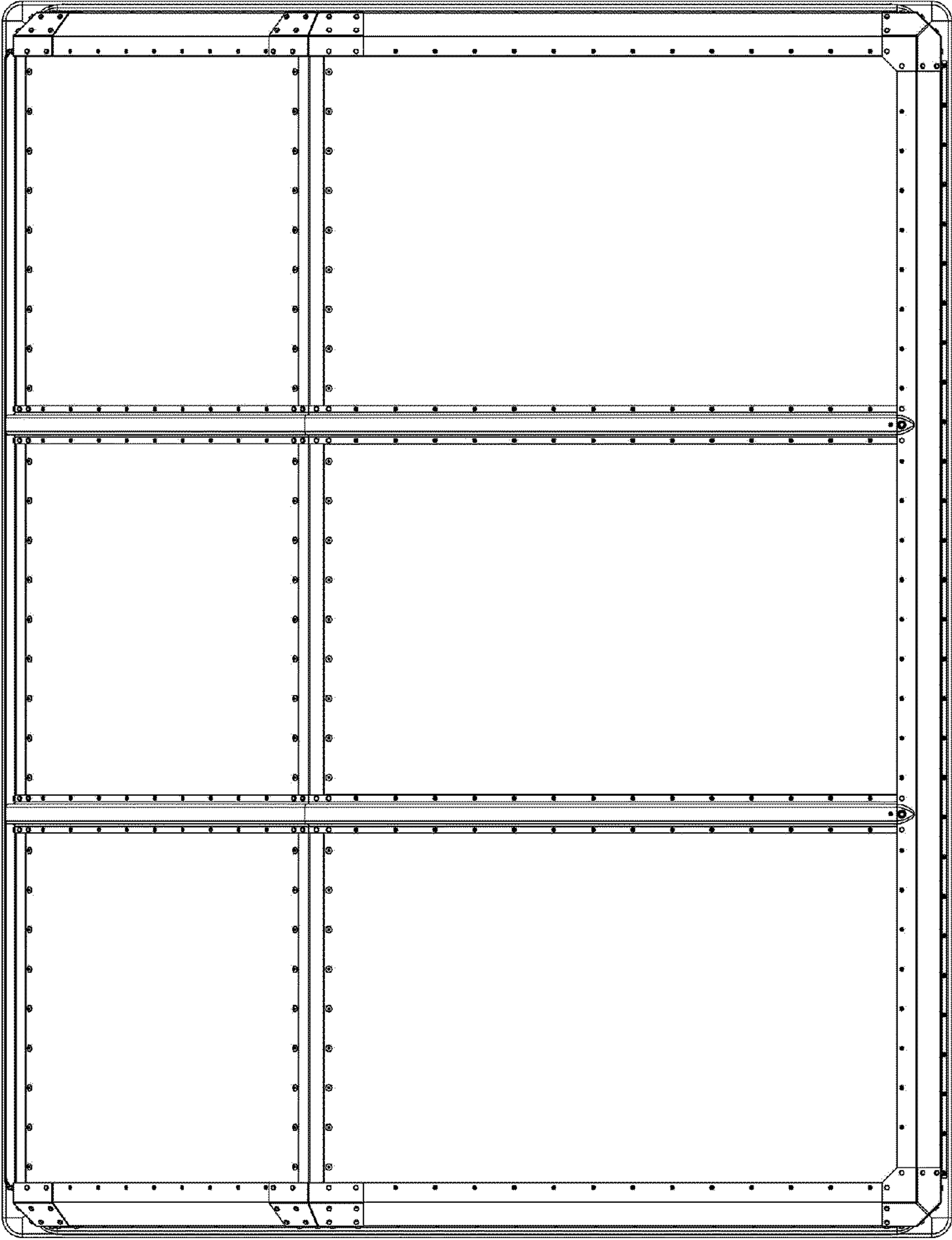


Fig. 6