



US00D734026S

(12) **United States Design Patent**
Givens

(10) **Patent No.:** **US D734,026 S**
(45) **Date of Patent:** **** Jul. 14, 2015**

(54) **PURSE ORGANIZER**

DESCRIPTION

- (71) Applicant: **Acire Brands, LLC**, Wildwood, FL (US)
- (72) Inventor: **Erica D. Givens**, Tampa, FL (US)
- (73) Assignee: **Acire Brands, LLC**, Wildwood, FL (US)
- (**) Term: **14 Years**
- (21) Appl. No.: **29/467,204**
- (22) Filed: **Sep. 17, 2013**
- (51) **LOC (10) Cl.** **03-01**
- (52) **U.S. Cl.**
USPC **D3/233**
- (58) **Field of Classification Search**
USPC D3/232–233, 240–243, 245–246
CPC A45C 1/024; A45C 3/06
See application file for complete search history.

FIG. 1 is a front perspective view of a purse organizer, showing the novel design;
 FIG. 2 is a rear perspective view of the purse organizer shown in FIG. 1;
 FIG. 3 is a front elevational view of the purse organizer shown in FIG. 1;
 FIG. 4 is a rear elevational view of the purse organizer shown in FIG. 1;
 FIG. 5 is a top elevational view of the purse organizer shown in FIG. 1;
 FIG. 6 is a bottom elevational view of the purse organizer shown in FIG. 1;
 FIG. 7 is a side elevational view of the purse organizer shown in FIG. 1;
 FIG. 8 is a side elevational view of the purse organizer shown in FIG. 1;
 FIG. 9 is a top perspective view of the purse organizer shown in FIG. 1; and,
 FIG. 10 is a front perspective view of the purse organizer shown in FIG. 1 with a front flap in an elevated or open position.

(56) **References Cited**

U.S. PATENT DOCUMENTS

6,283,183 B1 *	9/2001	Cooper	150/112
D466,290 S *	12/2002	Gress	D3/246
6,491,074 B1 *	12/2002	Roegner	150/112

* cited by examiner

Primary Examiner — Holly Baynham

(74) *Attorney, Agent, or Firm* — Nilay J. Choksi; Smith & Hopen, P.A.

(57) **CLAIM**

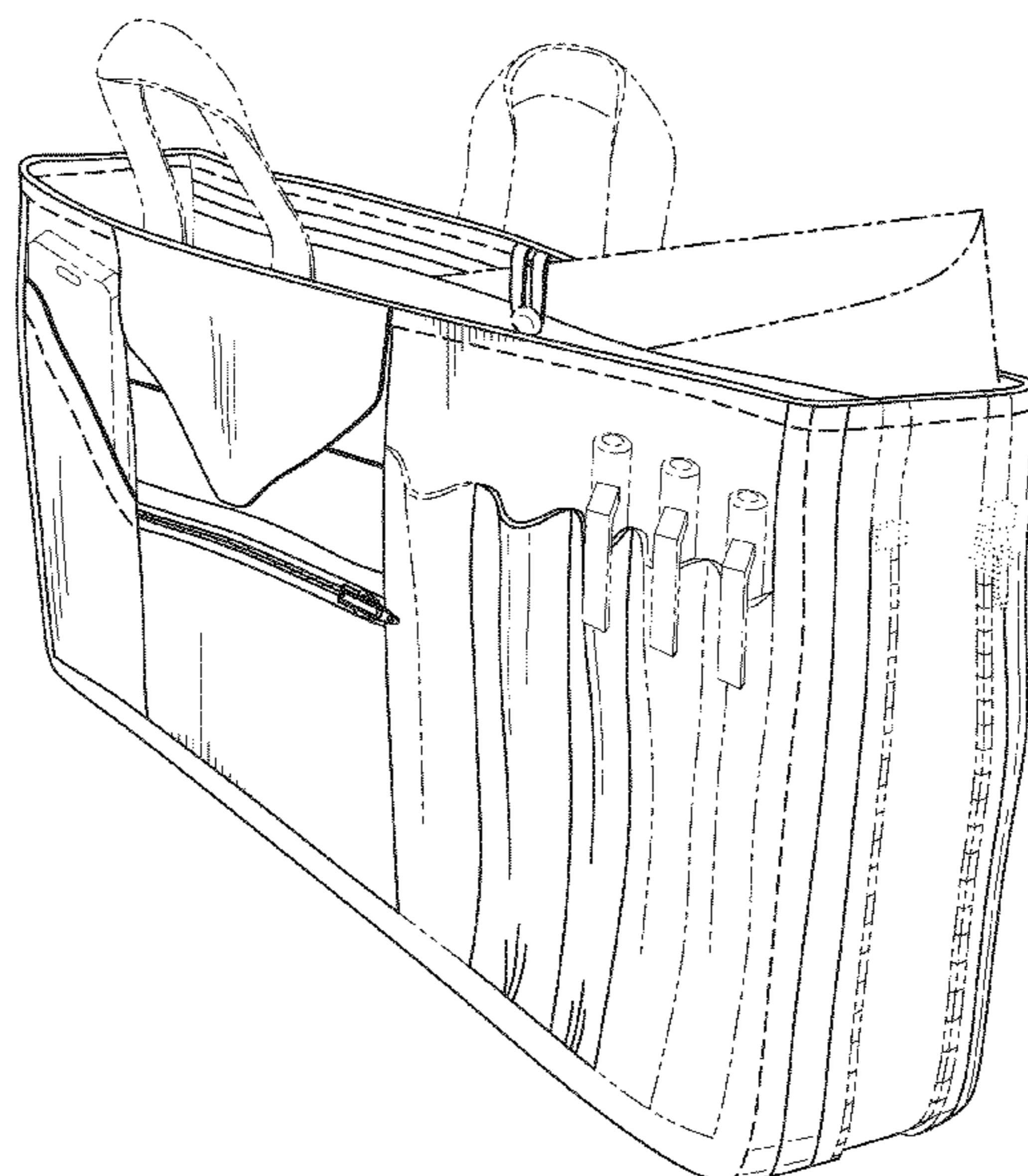
The ornamental design for a purse organizer, as substantially shown and described.

In an alternative embodiment of the current invention, one or more elongate pockets adapted to hold pens, pencils, and the like, said elongate pockets currently denoted as environment, are positioned adjacent to either of the two (2) elongate pockets adapted to hold pens, pencils, and the like, said two (2) elongate pockets currently denoted as claimed. In an alternative embodiment of the current invention, an expansion zipper, which is currently denoted as environment, is disposed along the bottom and each side of the purse organizer.

The dot-dashed broken lines showing the handles, portion of an envelope, pen compartments, cards, zipper and zipper pulls are for the purposes of illustrating environment and form no part of the claimed design.

The evenly spaced broken lines represent stitching and are part of the claimed design.

1 Claim, 8 Drawing Sheets



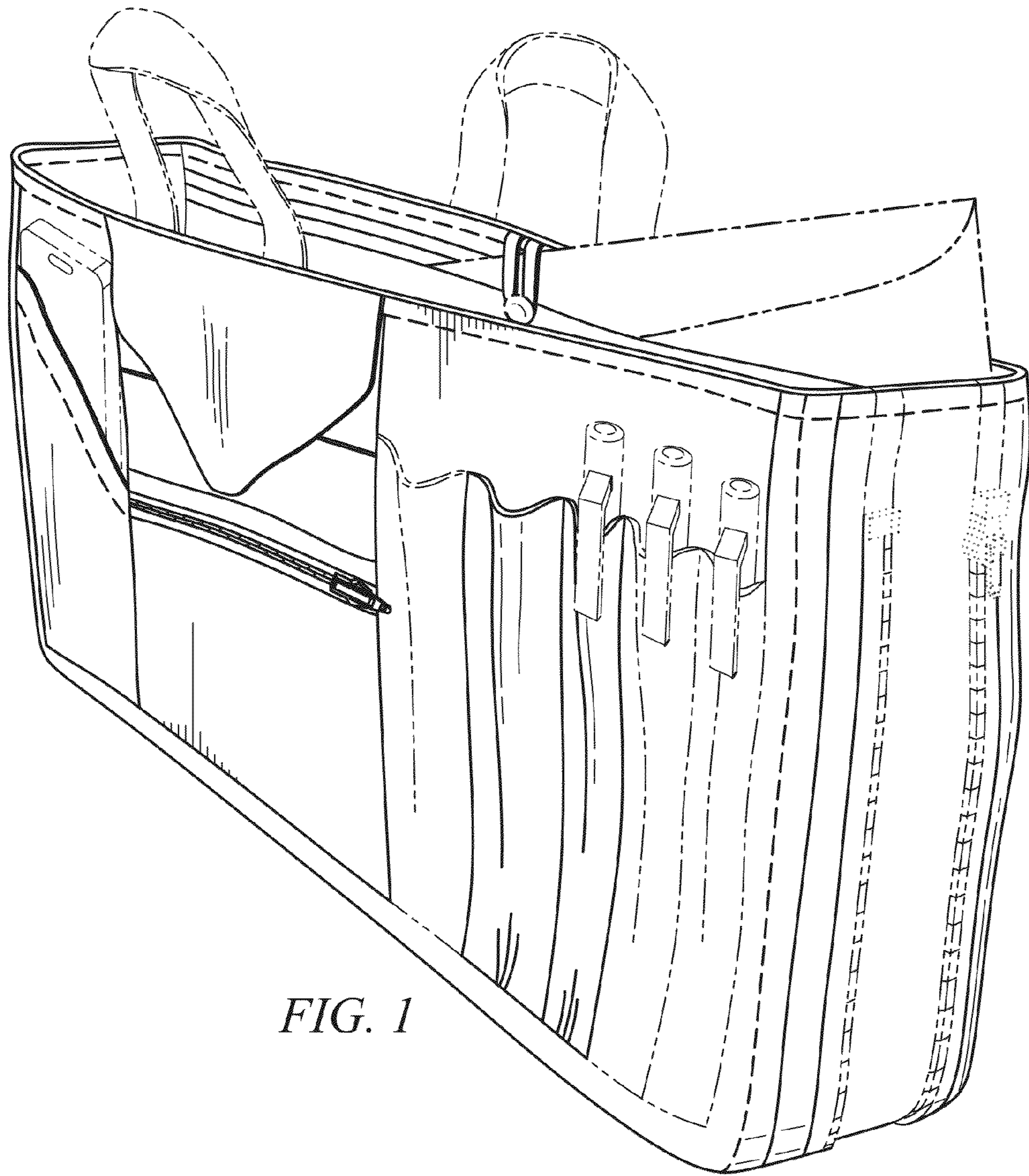


FIG. 1

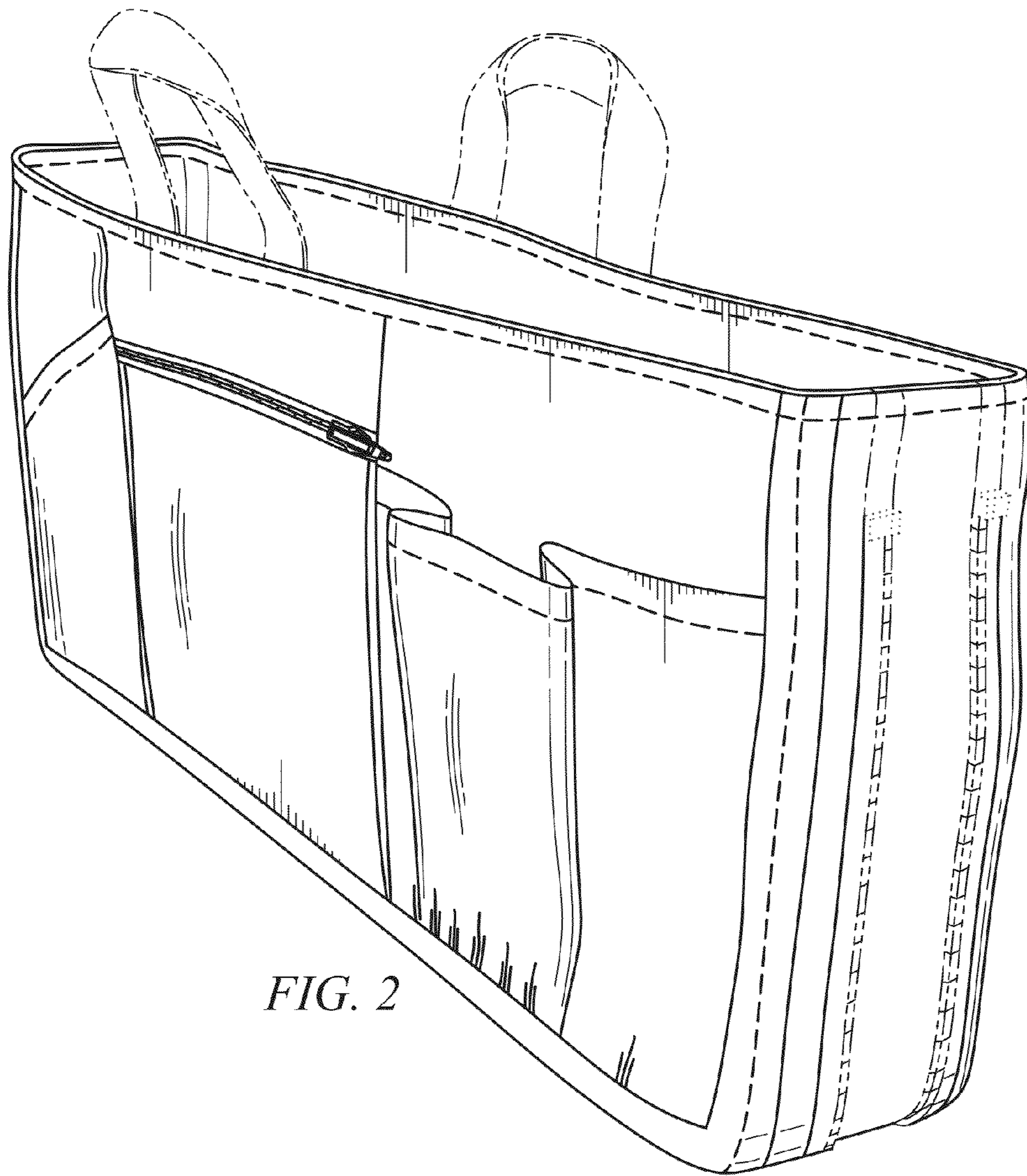


FIG. 2

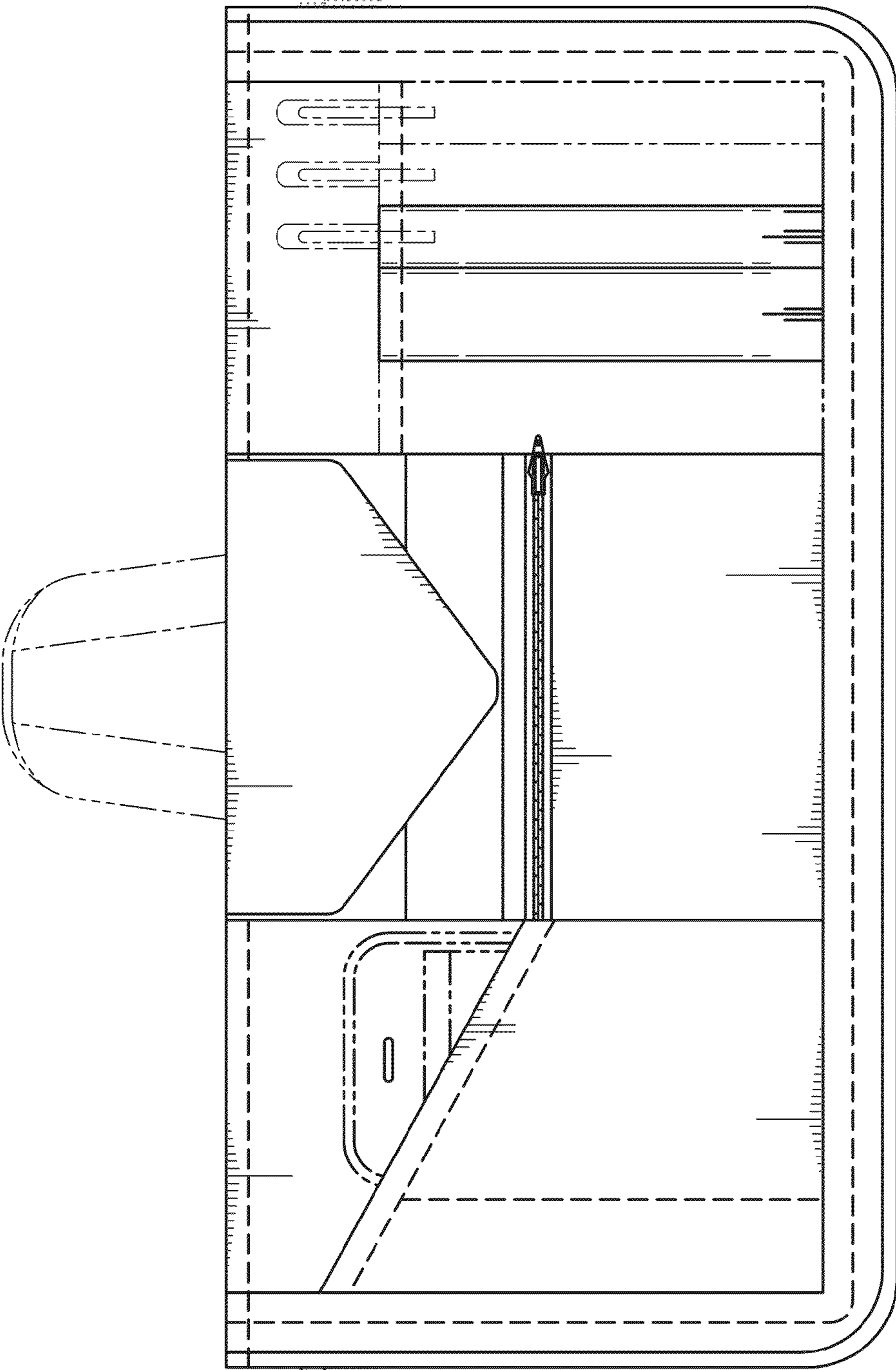


FIG. 3

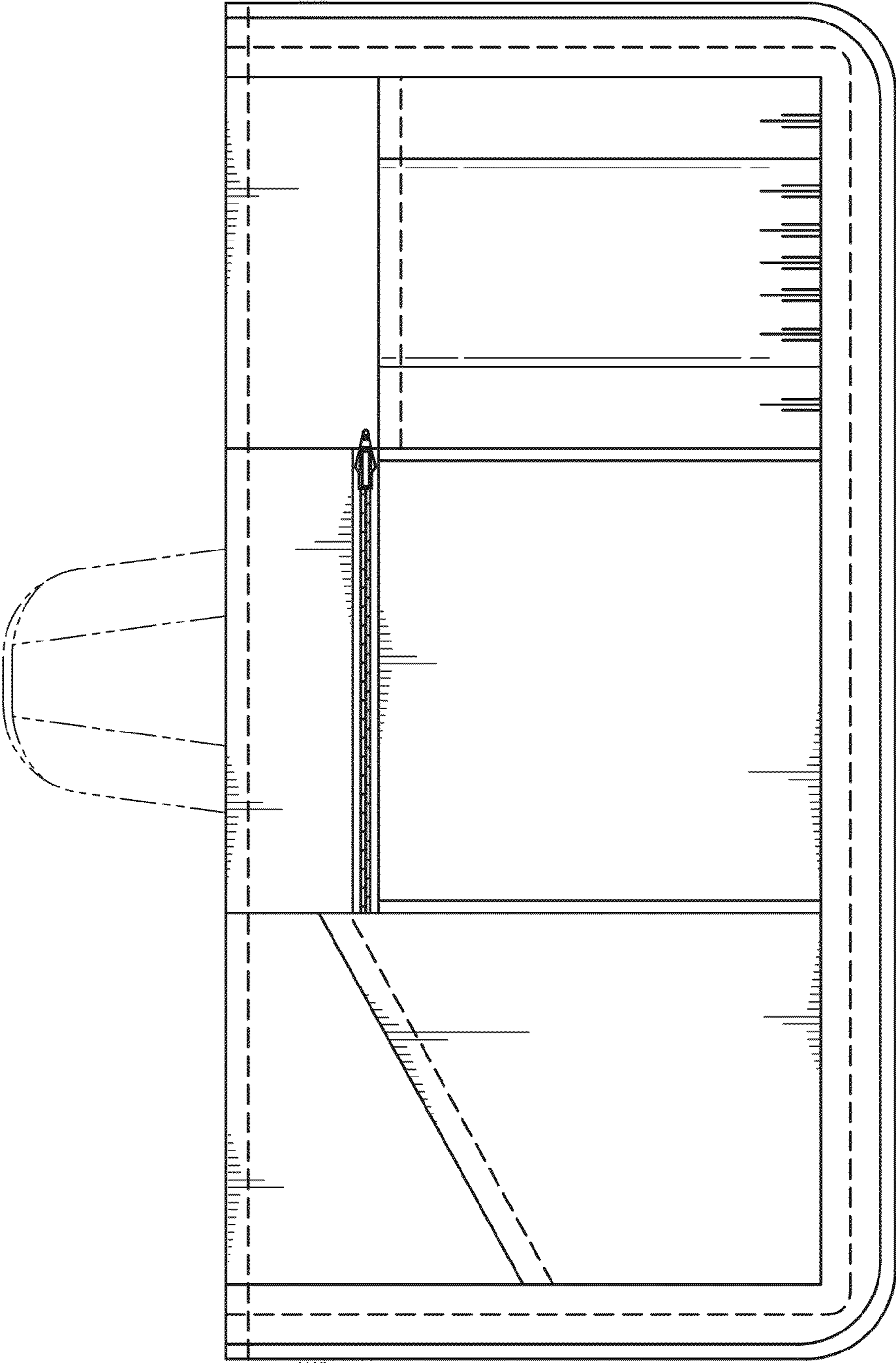


FIG. 4

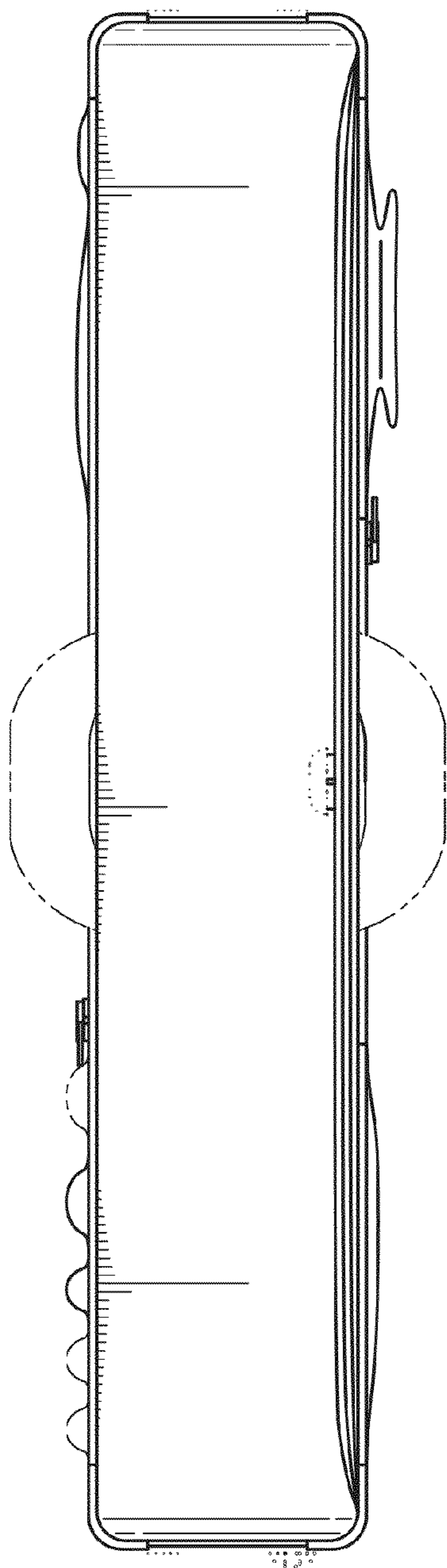


FIG. 5

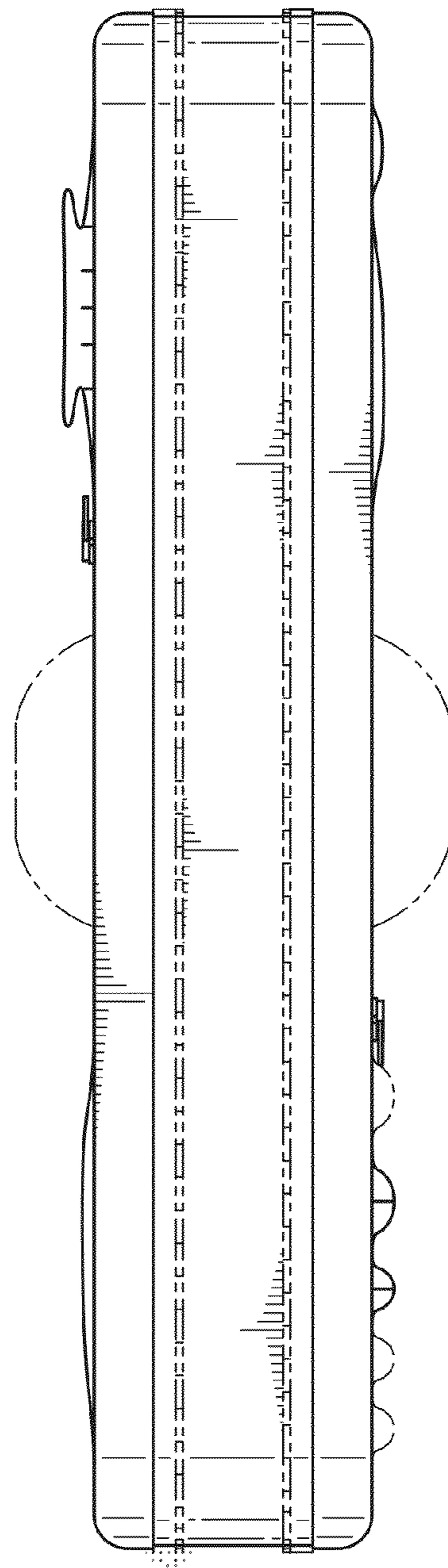


FIG. 6

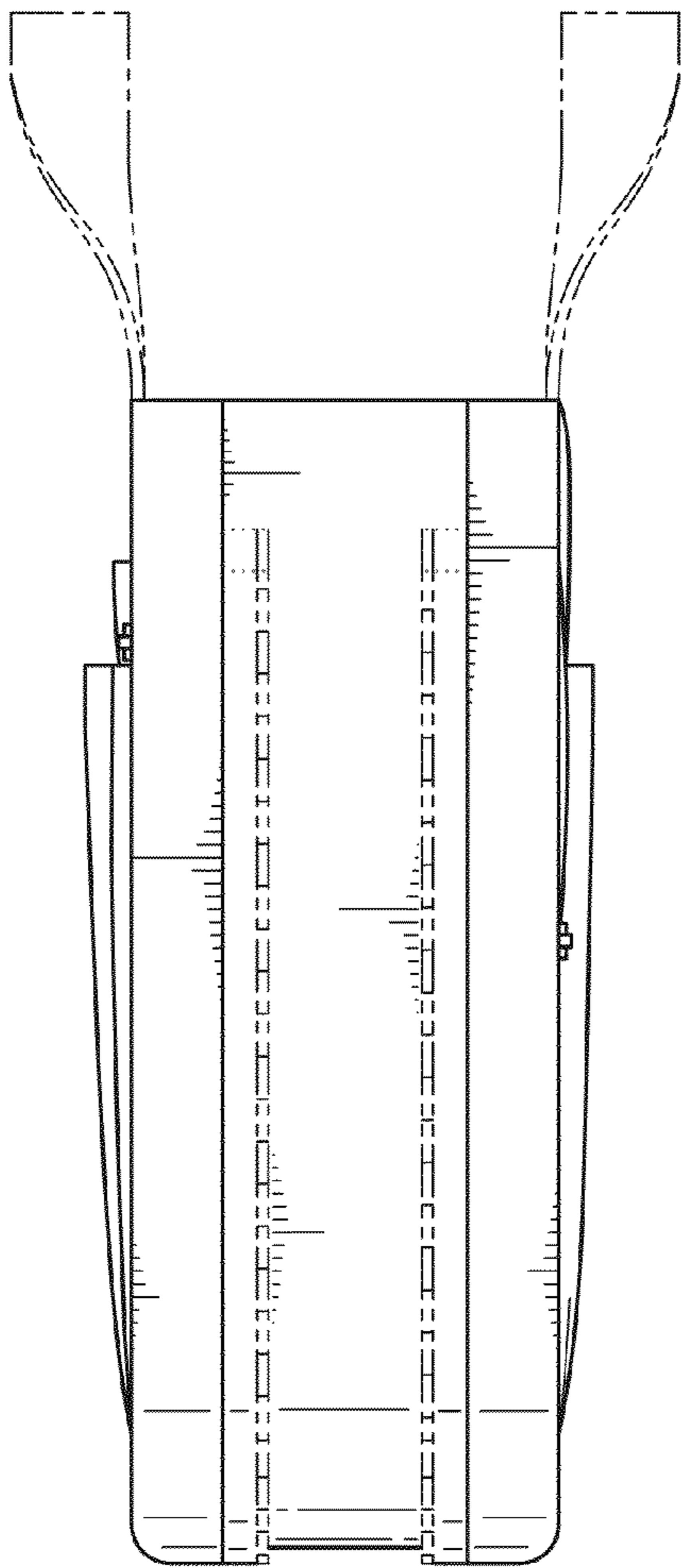


FIG. 7

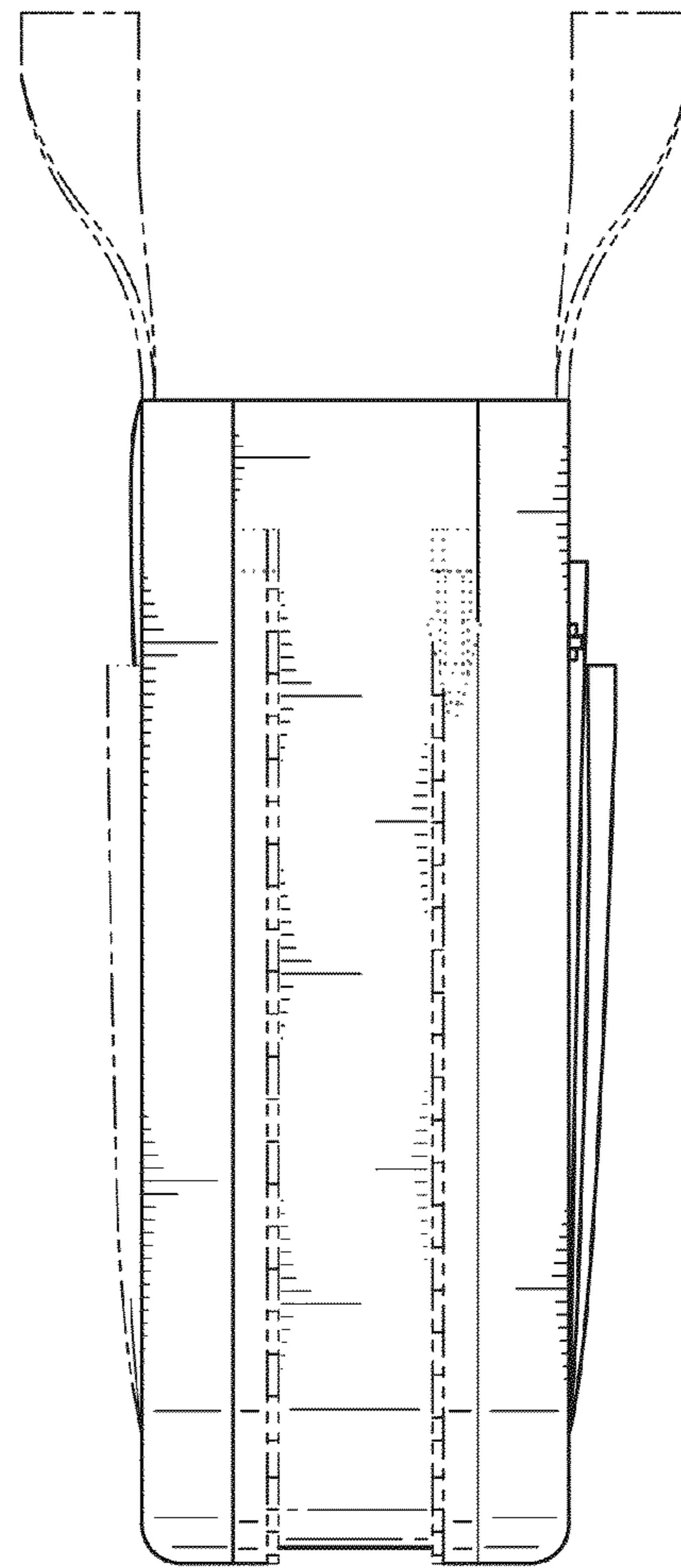


FIG. 8

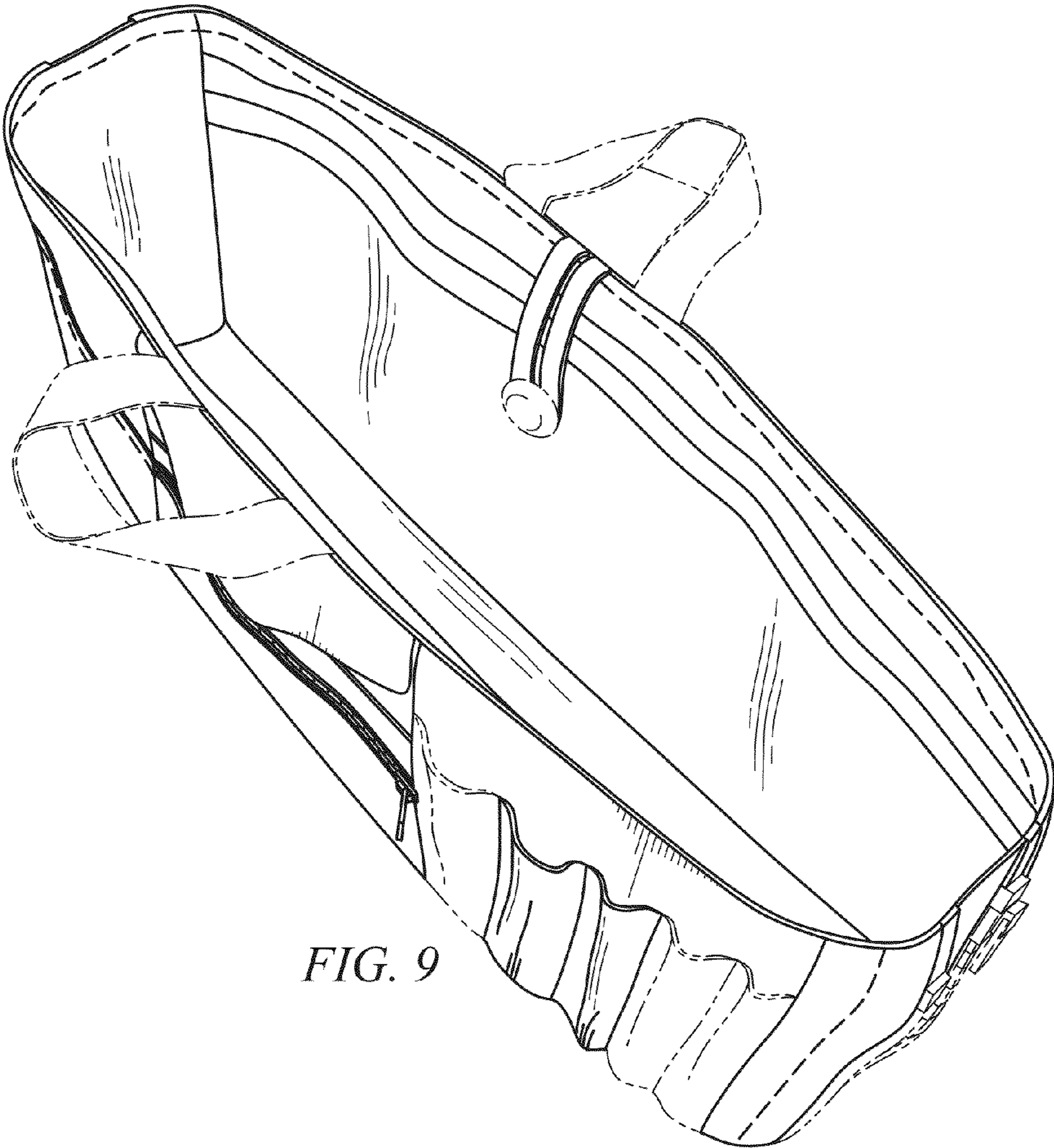


FIG. 9

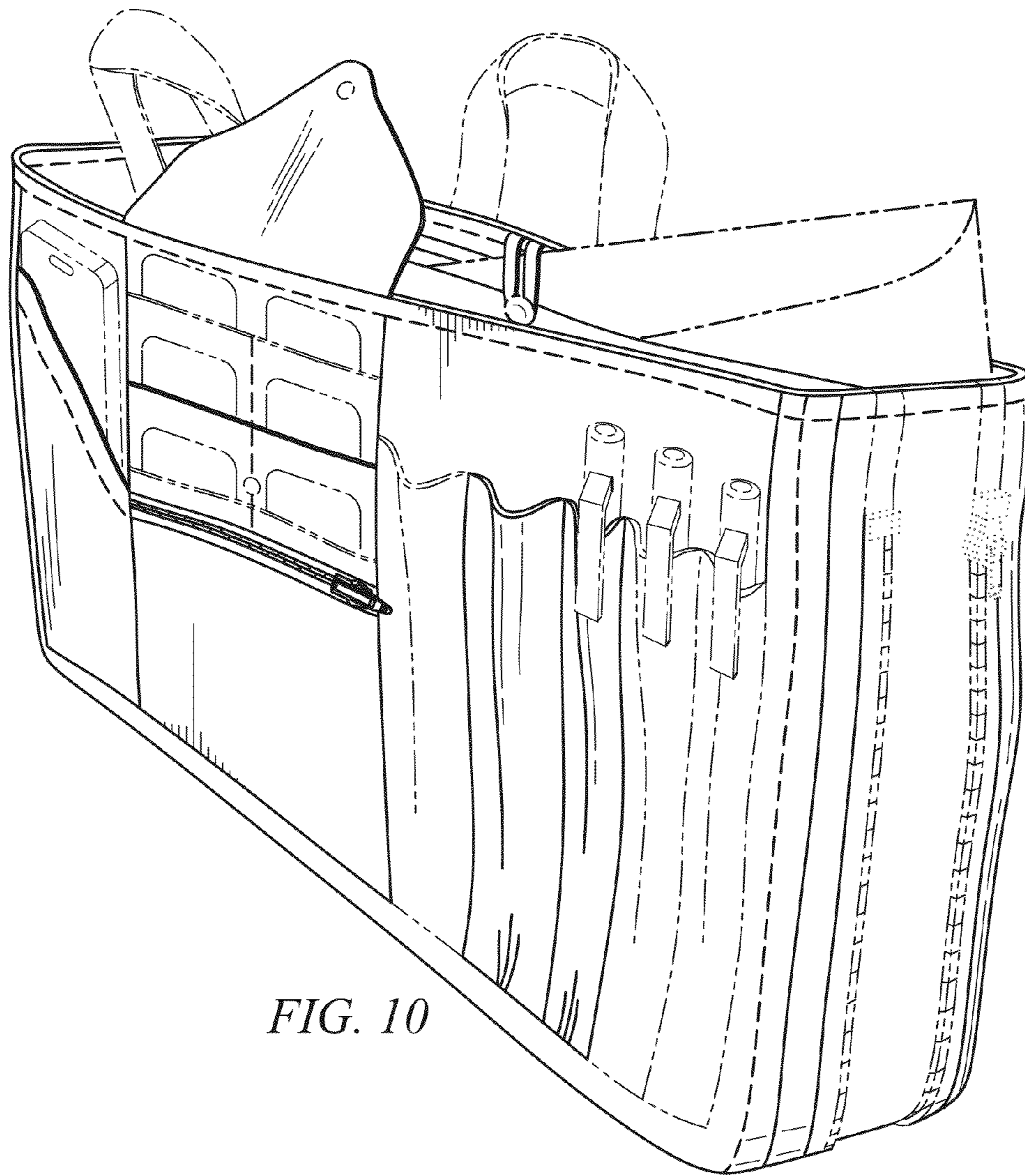


FIG. 10