

US00D734024S

(12) **United States Design Patent**  
**Garcia et al.**

(10) **Patent No.:** **US D734,024 S**  
(45) **Date of Patent:** **\*\* Jul. 14, 2015**

(54) **CHILDREN'S BACKPACK WITH WINGS**

(75) Inventors: **Luis M. Garcia**, San Francisco, CA (US); **Kalon R. Gutierrez**, San Francisco, CA (US); **Melissa Koo**, Brooklyn, NY (US)

(73) Assignee: **Schoolbags for Kids, LLC**, San Francisco, CA (US)

(\*\*) Term: **14 Years**

(21) Appl. No.: **29/425,165**

(22) Filed: **Jun. 20, 2012**

(51) **LOC (10) Cl.** ..... **03-01**

(52) **U.S. Cl.**  
USPC ..... **D3/216; D3/217**

(58) **Field of Classification Search**  
USPC ..... D2/830; D3/214, 215, 216, 217, 270, D3/321; 224/153, 577, 578, 407  
See application file for complete search history.

(56) **References Cited**

**U.S. PATENT DOCUMENTS**

|           |      |         |                   |       |         |
|-----------|------|---------|-------------------|-------|---------|
| 2,667,996 | A *  | 2/1954  | Fanelli           | ..... | 224/153 |
| 4,088,252 | A *  | 5/1978  | Grunberger        | ..... | 224/629 |
| D280,233  | S *  | 8/1985  | Fleischmann       | ..... | D23/238 |
| 5,144,764 | A *  | 9/1992  | Peterson          | ..... | 43/3    |
| D336,049  | S *  | 6/1993  | Patridge, Jr.     | ..... | D3/273  |
| D352,920  | S *  | 11/1994 | Gerring           | ..... | D12/106 |
| 5,447,261 | A *  | 9/1995  | Mitomi et al.     | ..... | 224/153 |
| D369,021  | S *  | 4/1996  | Kliot             | ..... | D3/217  |
| 5,588,569 | A *  | 12/1996 | Mitomi et al.     | ..... | 224/153 |
| D410,428  | S *  | 6/1999  | Bauers            | ..... | D12/404 |
| D425,697  | S *  | 5/2000  | Chapman           | ..... | D3/216  |
| D437,110  | S *  | 2/2001  | Ivarson et al.    | ..... | D3/217  |
| D437,997  | S *  | 2/2001  | Ammerman et al.   | ..... | D3/216  |
| D457,306  | S *  | 5/2002  | Szyf              | ..... |         |
| D461,048  | S *  | 8/2002  | Blanking          | ..... | D3/216  |
| D477,219  | S *  | 7/2003  | Waterhouse et al. | ..... | D9/430  |
| 6,619,519 | B1 * | 9/2003  | Nix et al.        | ..... | 224/153 |
| D485,019  | S *  | 1/2004  | Au                | ..... | D28/80  |

|           |      |         |                |               |
|-----------|------|---------|----------------|---------------|
| D487,189  | S    | 3/2004  | Ukitsu et al.  |               |
| D500,590  | S    | 1/2005  | Sachen         |               |
| D501,719  | S *  | 2/2005  | Tauchen        | ..... D3/256  |
| D511,620  | S *  | 11/2005 | Van Himbeeck   | ..... D3/217  |
| D517,800  | S    | 3/2006  | De Baschmakoff |               |
| 7,051,908 | B2   | 5/2006  | Mignano        |               |
| 7,165,705 | B2 * | 1/2007  | Haro           | ..... 224/629 |

(Continued)

**OTHER PUBLICATIONS**

U.S. Appl. No. 29/425,164, filed Jun. 20, 2012, Luis M. Garcia.

(Continued)

*Primary Examiner* — T. Chase Nelson

(74) *Attorney, Agent, or Firm* — Meyertons, Hood, Kivlin, Kowert & Goetzl, P.C.; Eric B. Meyertons

(57) **CLAIM**

The ornamental design for a children's backpack with wings, as shown and described.

**DESCRIPTION**

FIG. 1 is a perspective view of an embodiment of a children's backpack with butterfly wings.

FIG. 2 is a left-side view of the children's backpack shown in FIG. 1.

FIG. 3 is a right-side view of the children's backpack shown in FIG. 1.

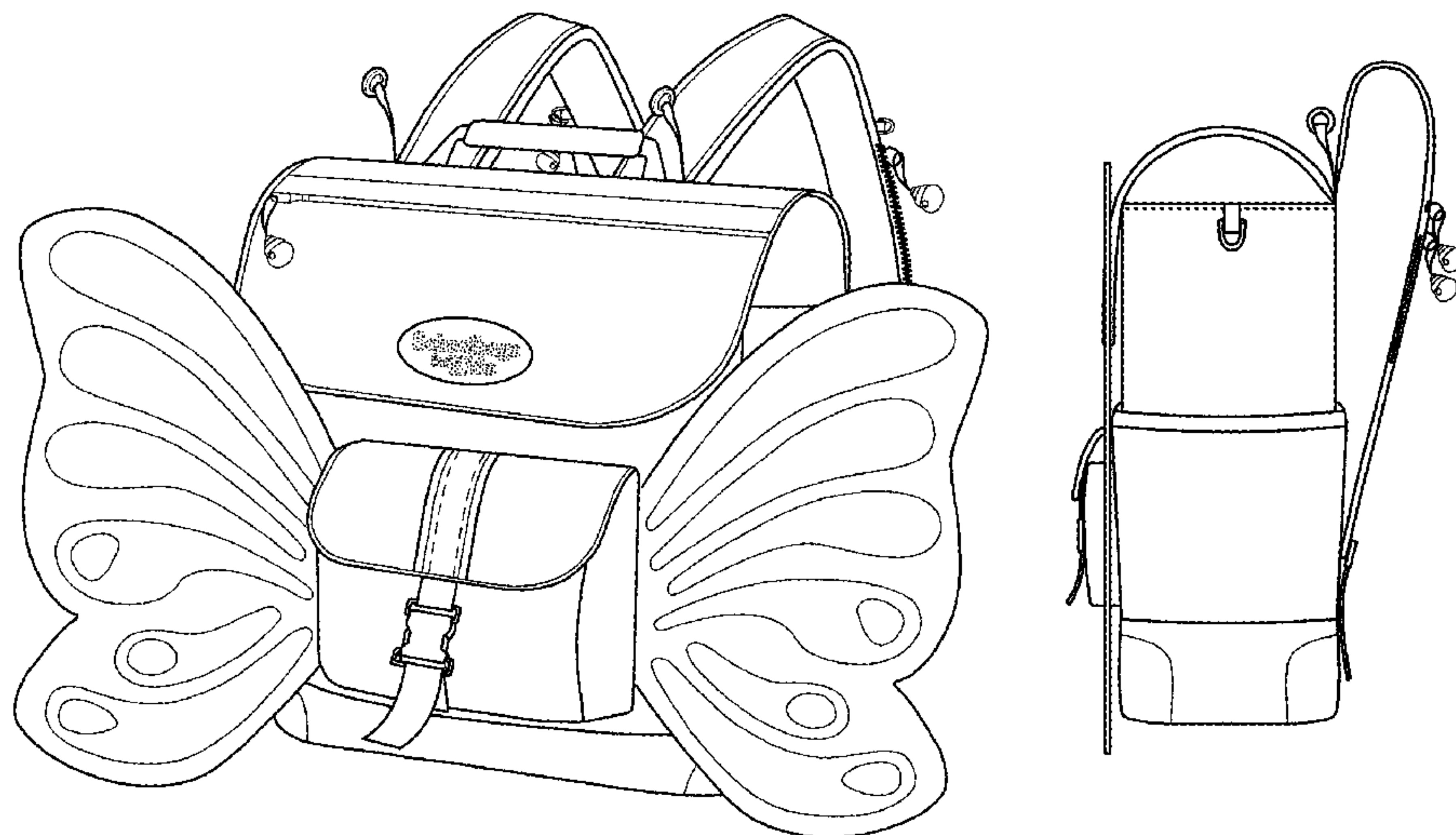
FIG. 4 is a top view of the children's backpack shown in FIG. 1 wherein the broken line indicia upon the oval label depicted in FIG. 1 have been removed.

FIG. 5 is a back view of the children's backpack shown in FIG. 1; and,

FIG. 6 is a front view of the children's backpack shown in FIG. 1 wherein the broken line indicia upon the oval label depicted in FIG. 1 have been removed.

The broken lines in the drawings representing product markings or stitching are for illustrative purposes only and form no part of the claimed design.

**1 Claim, 3 Drawing Sheets**



(56)

**References Cited**

U.S. PATENT DOCUMENTS

D550,964 S \* 9/2007 Bettua et al. .... D3/321  
 D551,853 S \* 10/2007 Smeuninx ..... D3/217  
 D554,364 S 11/2007 Rugg  
 D569,099 S \* 5/2008 Gossett ..... D3/217  
 7,591,108 B2 \* 9/2009 Tuzek ..... 52/80.1  
 D616,196 S 5/2010 Walsh  
 D619,802 S \* 7/2010 Hedaya ..... D3/216  
 D629,191 S \* 12/2010 Ogalde ..... D3/216  
 D631,245 S \* 1/2011 Sabbah ..... D3/217  
 D635,761 S \* 4/2011 Hedaya ..... D3/216  
 D641,973 S 7/2011 Quehl  
 D652,207 S \* 1/2012 Hedaya ..... D3/217  
 D661,085 S 6/2012 Custer

D661,481 S \* 6/2012 Hedaya ..... D3/217  
 D669,257 S \* 10/2012 Hedaya ..... D3/217  
 D677,881 S \* 3/2013 Hedaya ..... D3/217  
 D690,095 S \* 9/2013 Garcia et al. .... D3/217  
 D694,002 S \* 11/2013 Bland ..... D3/217  
 2006/0144885 A1 \* 7/2006 Smeuninx ..... 224/629  
 2008/0295215 A1 \* 12/2008 Burke et al. .... 2/69

OTHER PUBLICATIONS

Office Action from U.S. Appl. No. 29/425,164, mailed Oct. 24, 2012,  
 Luis M. Garcia, pp. 1-7.  
 Notice of Allowance from U.S. Appl. No. 29/425,164, mailed Mar. 3,  
 2013, pp. 1-6.

\* cited by examiner

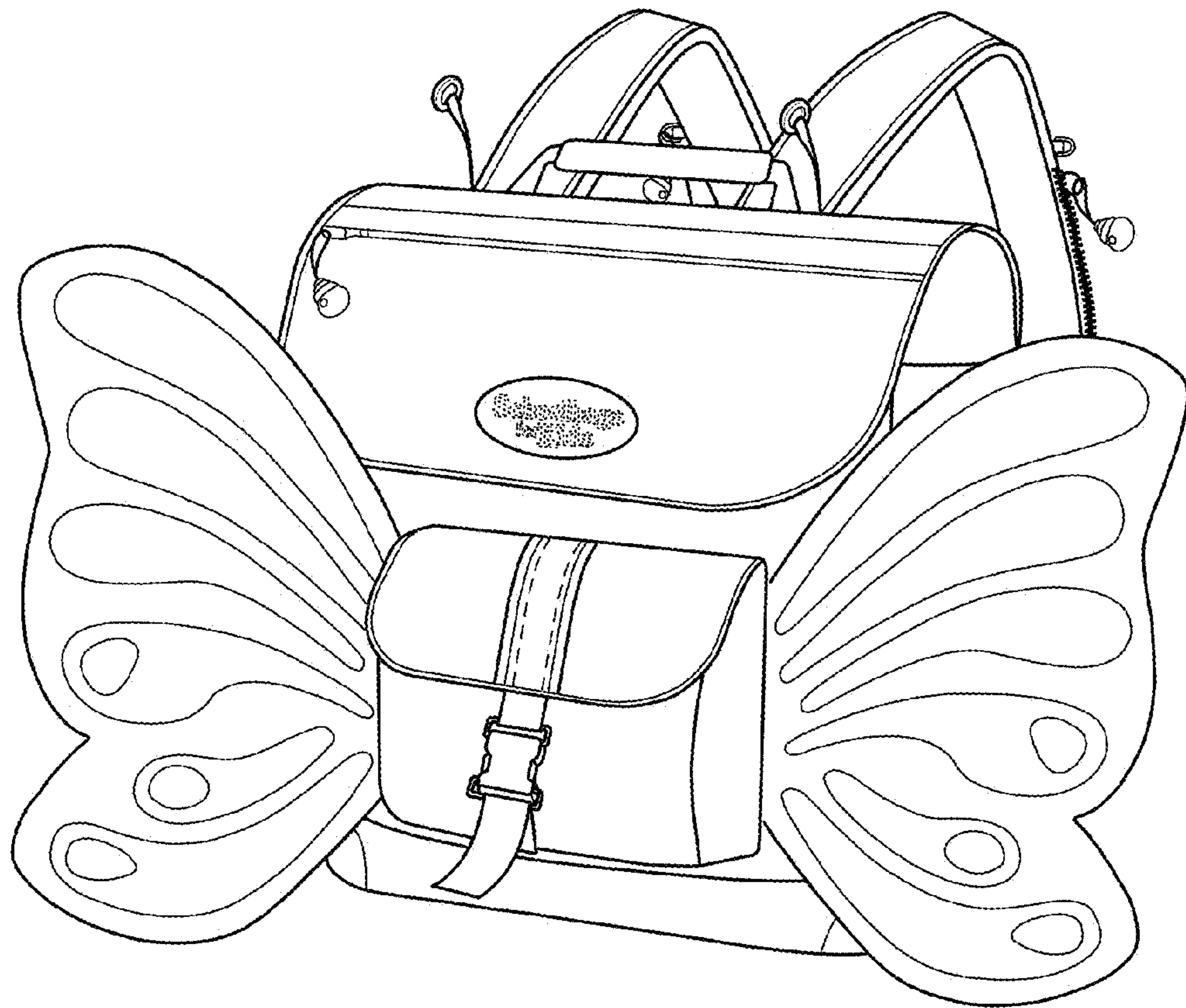


FIG. 1

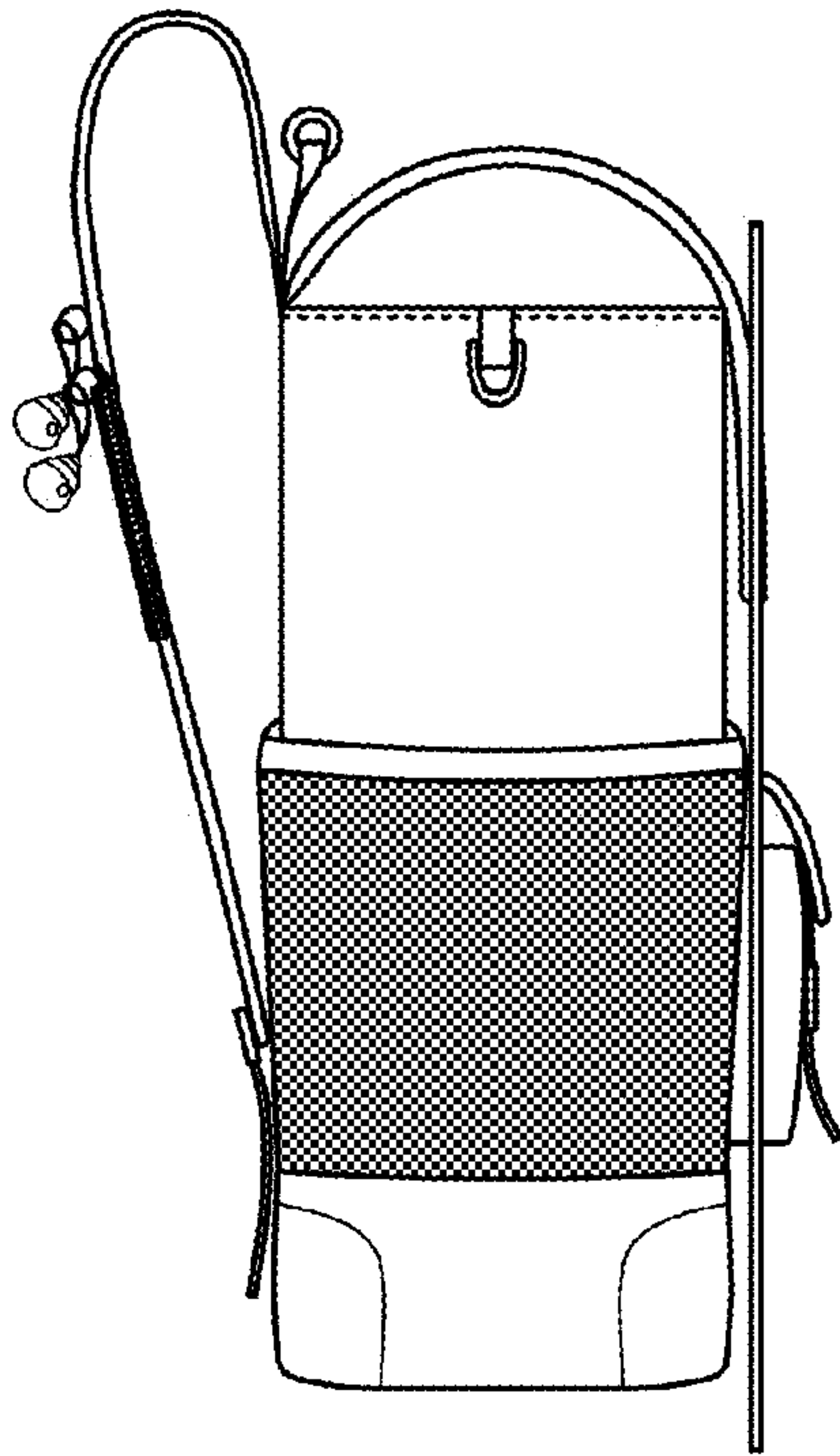


FIG. 2

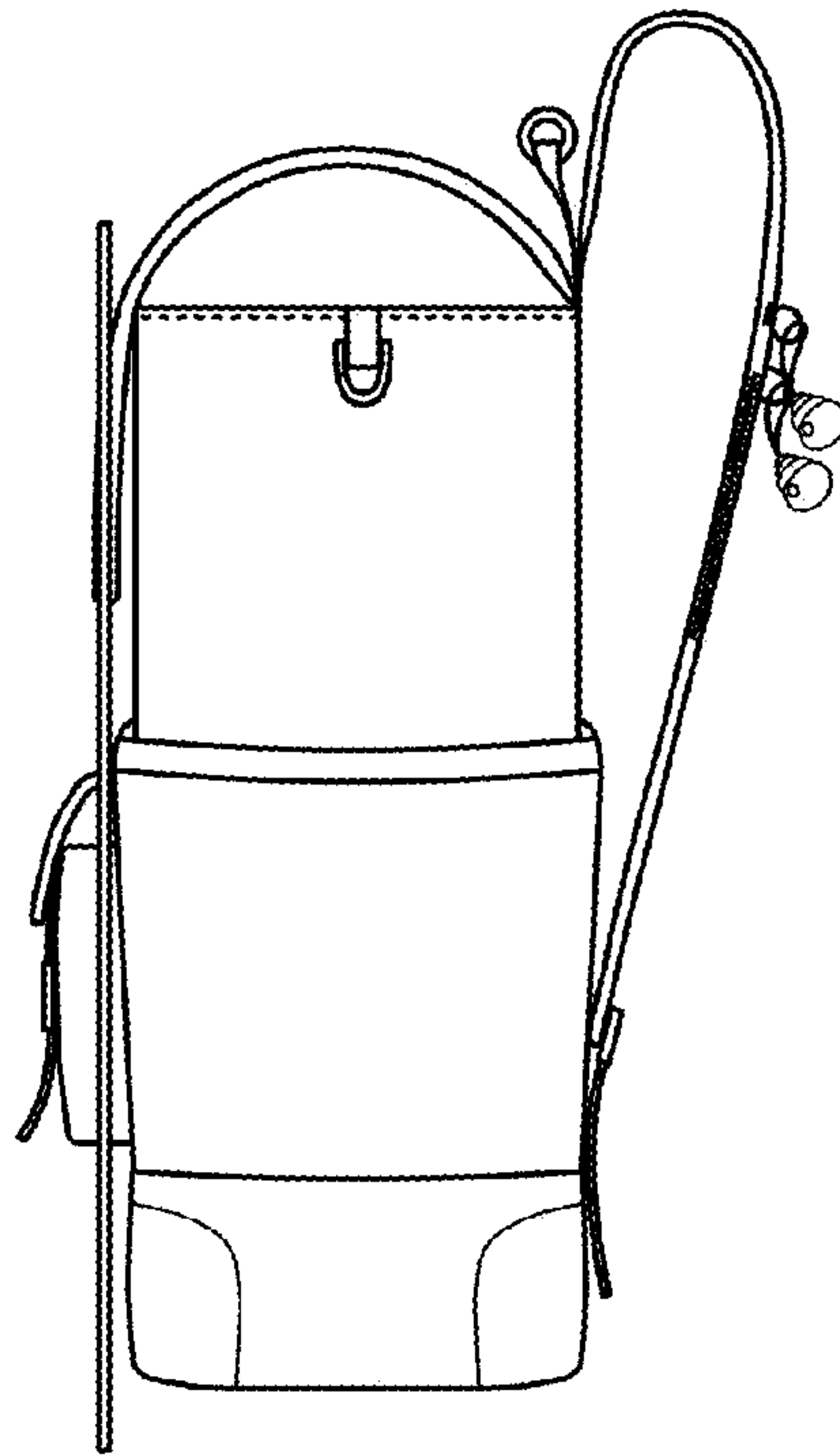


FIG. 3

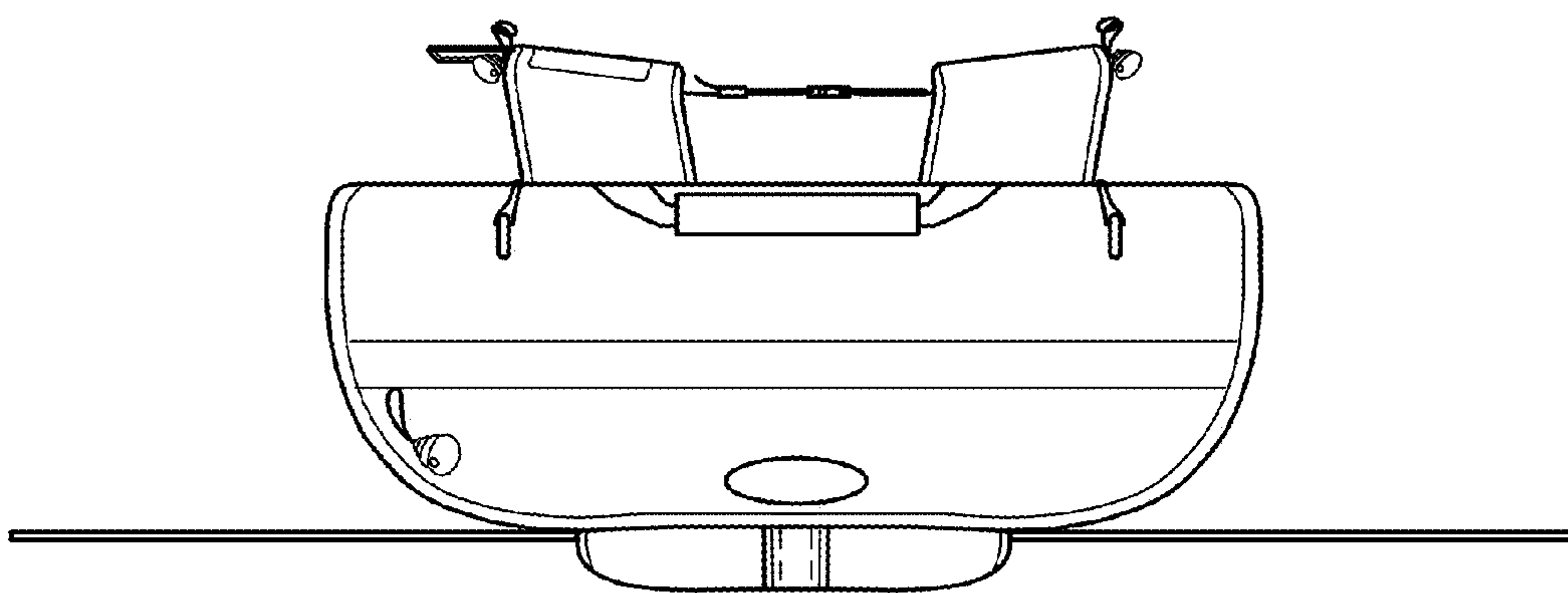


FIG. 4



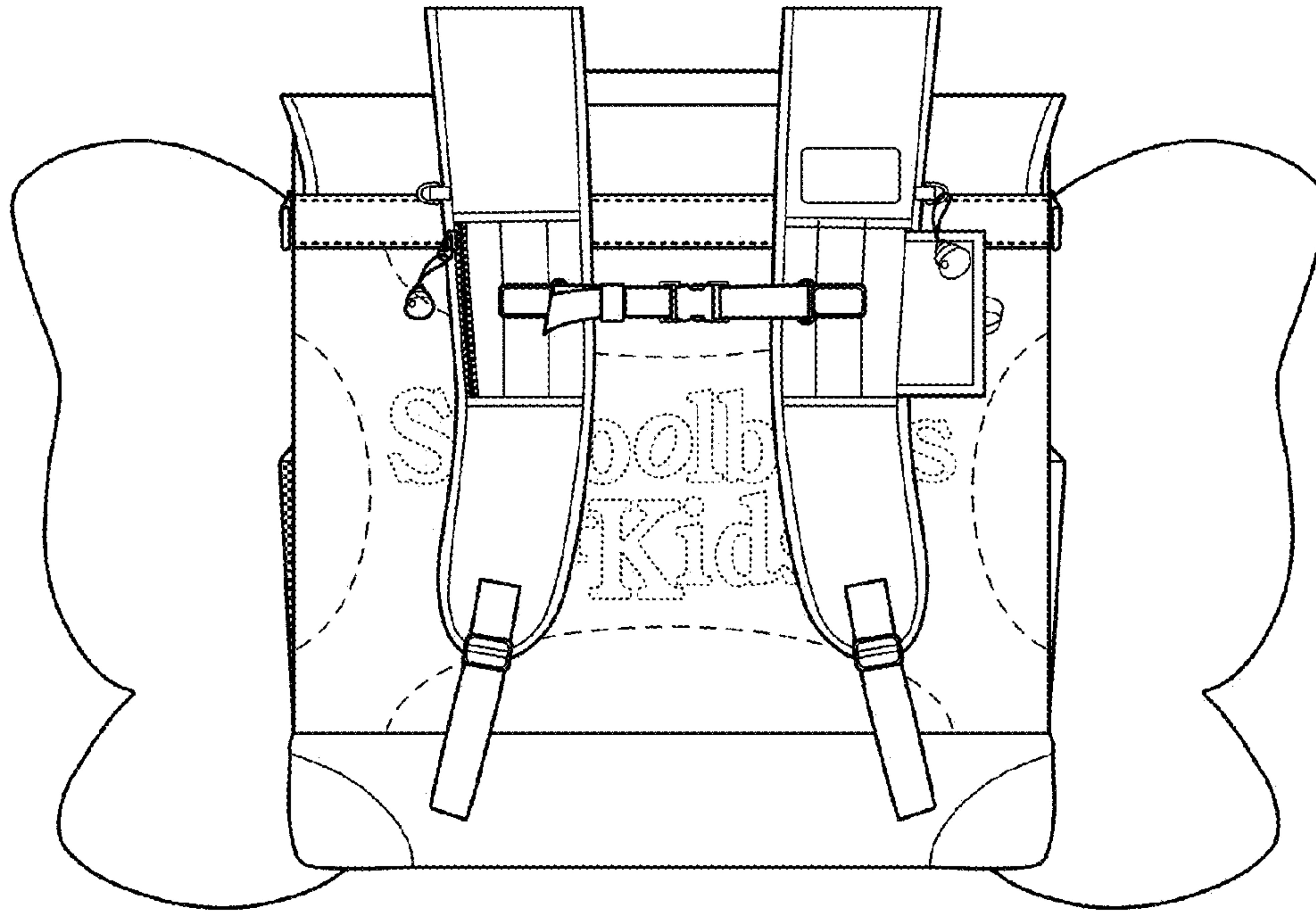


FIG. 5

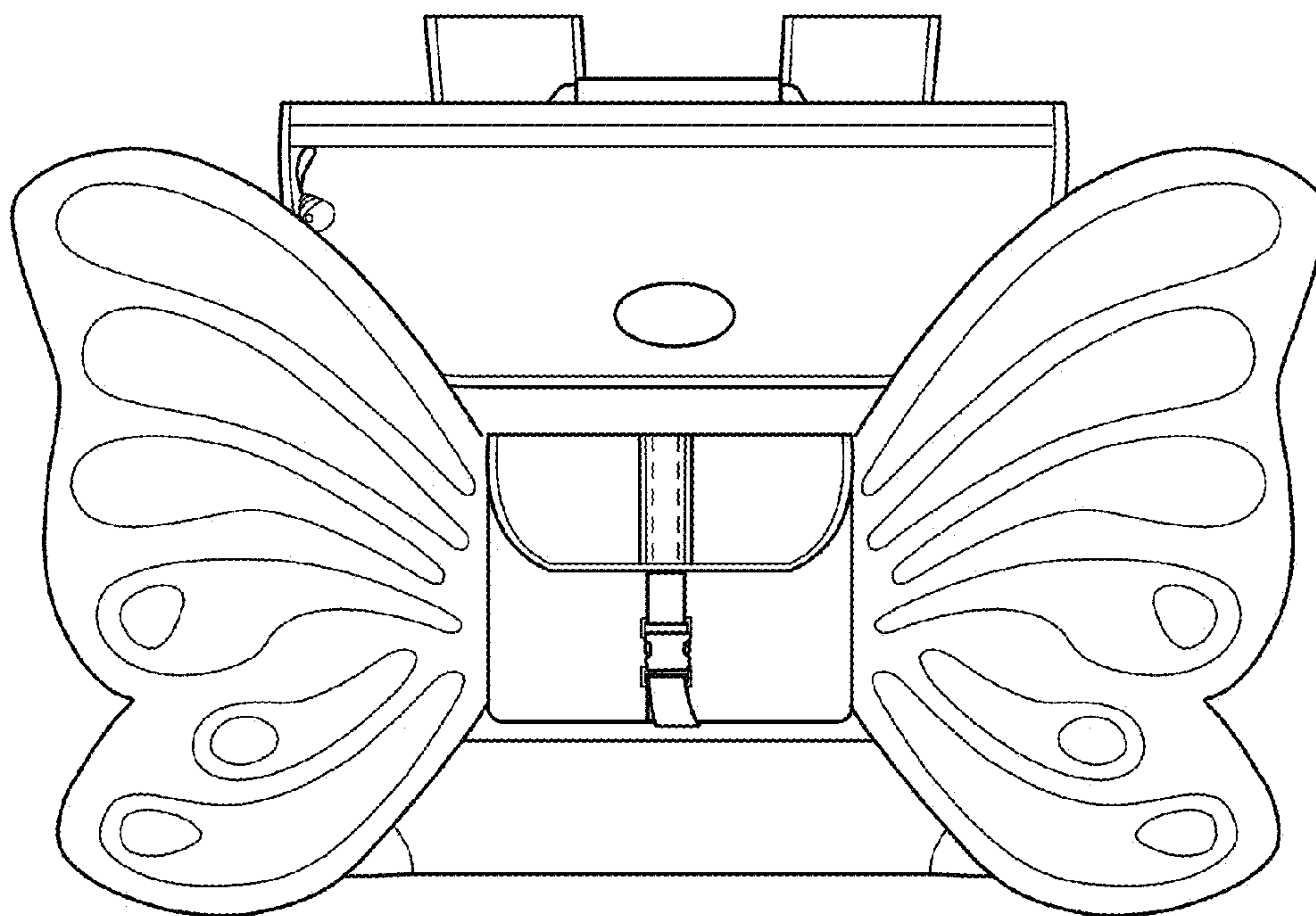


FIG. 6