



US00D734023S

(12) **United States Design Patent**
Galardo

(10) **Patent No.:** **US D734,023 S**
(45) **Date of Patent:** **** Jul. 14, 2015**

(54) **KEYHOLDER**

(71) Applicant: **Ronald Galardo**, Huntington Beach, CA
(US)

(72) Inventor: **Ronald Galardo**, Huntington Beach, CA
(US)

(**) Term: **14 Years**

(21) Appl. No.: **29/483,179**

(22) Filed: **Feb. 26, 2014**

(51) **LOC (10) Cl.** **08-05**

(52) **U.S. Cl.**
USPC **D3/207**; D8/19

(58) **Field of Classification Search**
USPC D8/356, 358, 359, 19, 16, 45, 396, 72,
D8/73, 18, 366, 325; 242/395, 405.3,
242/405.2, 118.7, 542.4, 160.4, 366, 400,
242/370, 400.1; D3/24, 207, 212; D15/16;
D10/61, 62; 33/414, 413; 248/300,
248/313, 61, 231.81; 16/257; 81/3.27, 3.55

See application file for complete search history.

(56) **References Cited**

U.S. PATENT DOCUMENTS

2,348,947	A *	5/1944	Zarowin	70/456 R
2,351,205	A *	6/1944	Harvey	70/456 R
4,102,165	A *	7/1978	Dziura	70/456 B
4,306,433	A *	12/1981	Kelly	70/456 R
4,429,557	A *	2/1984	Morrone, III	70/456 R
D416,675	S *	11/1999	MacDonald	D3/207

* cited by examiner

Primary Examiner — Robert M Spear

Assistant Examiner — Eliza Bennett-Hattan

(74) *Attorney, Agent, or Firm* — John J. Connors; Connors & Assoc. pc.

(57) **CLAIM**

The ornamental design for a keyholder, as shown and described.

DESCRIPTION

FIG. 1 is a perspective view of one side of my keyholder.

FIG. 2 is a perspective view of the other side of my keyholder illustrated in FIG. 1.

FIG. 3 is a rear plan view of my keyholder.

FIG. 4 is a top plan view of my keyholder.

FIG. 5 is a right side elevation view of my keyholder.

FIG. 6 is a left side elevation view of my keyholder.

FIG. 7 is a front plan view of my keyholder; and,

FIG. 8 is a bottom plan view of my keyholder.

1 Claim, 1 Drawing Sheet

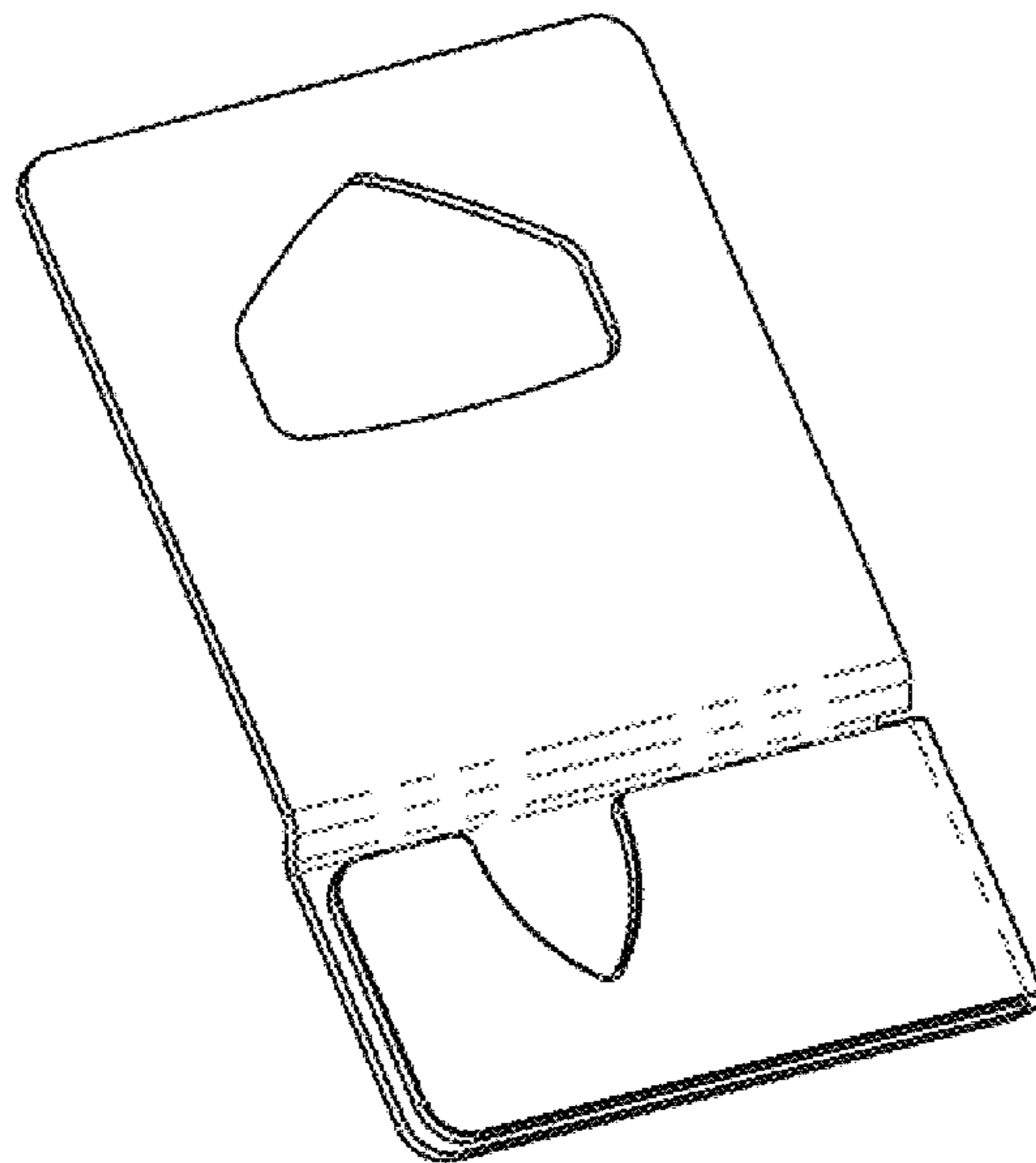


Fig. 1

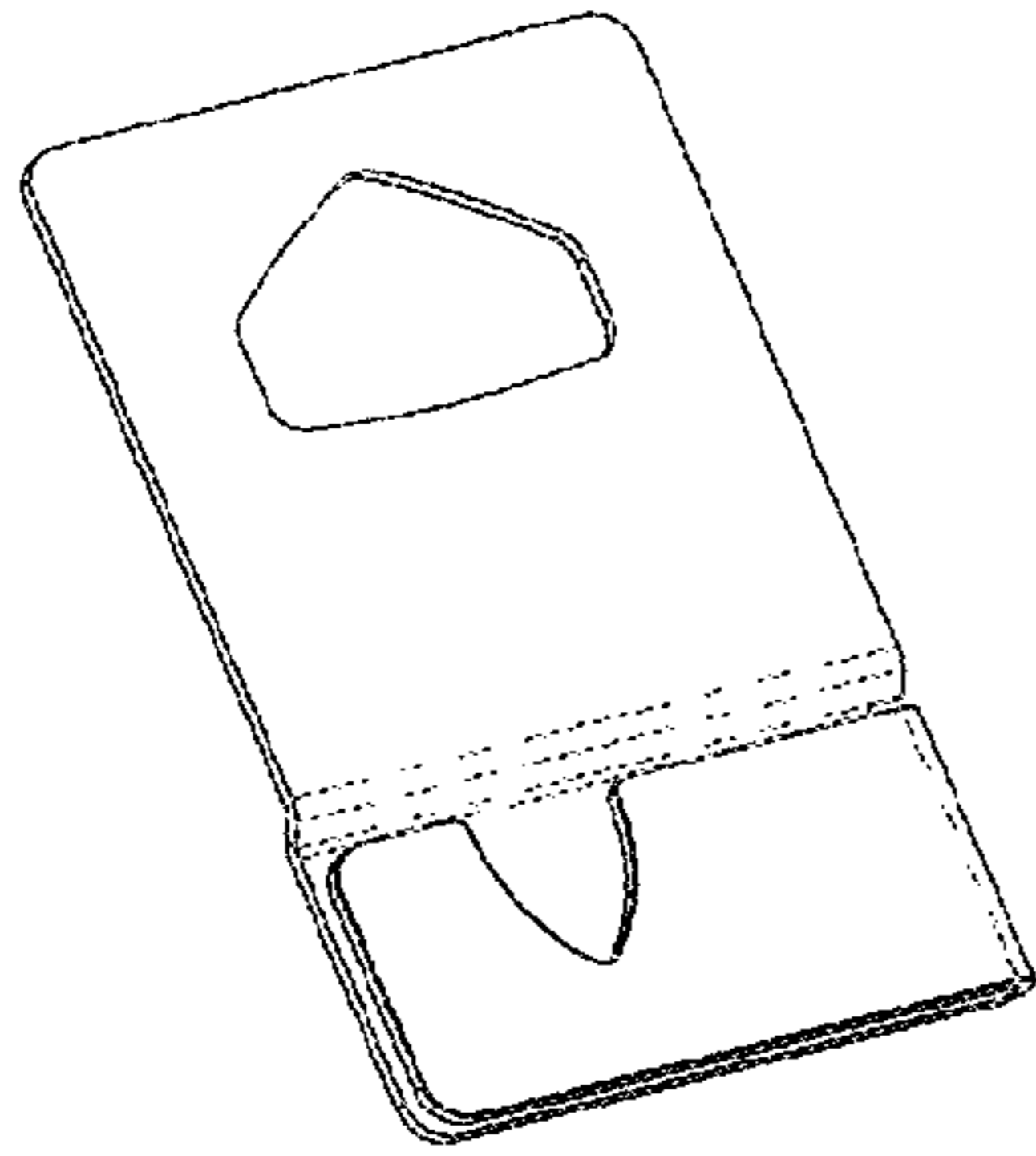


Fig. 2

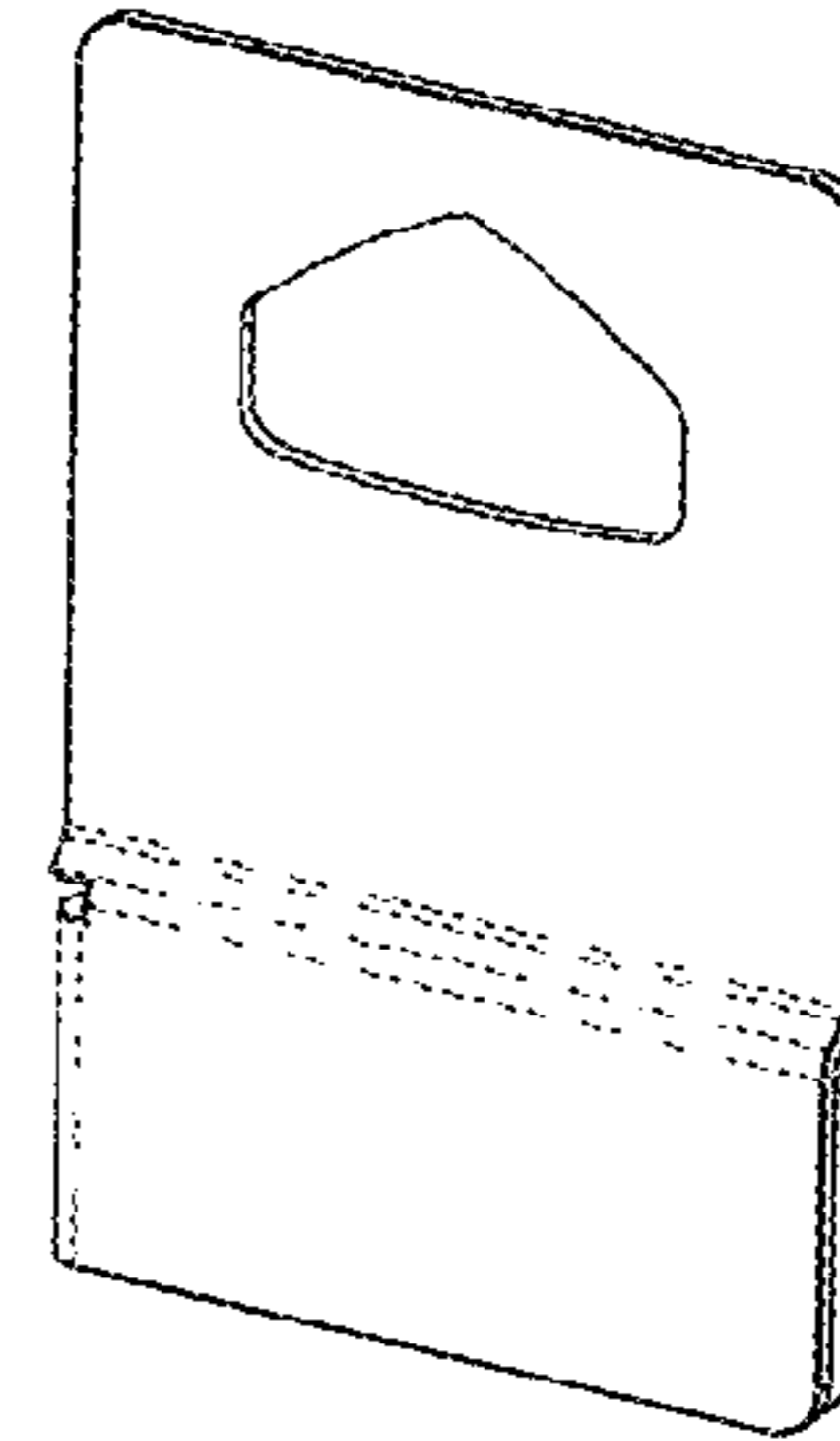


Fig. 4

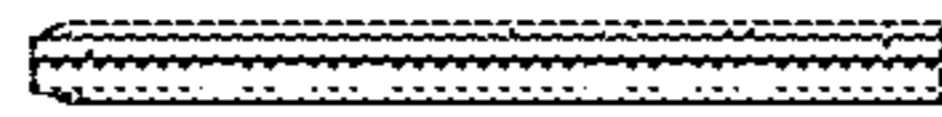


Fig. 5



Fig. 6

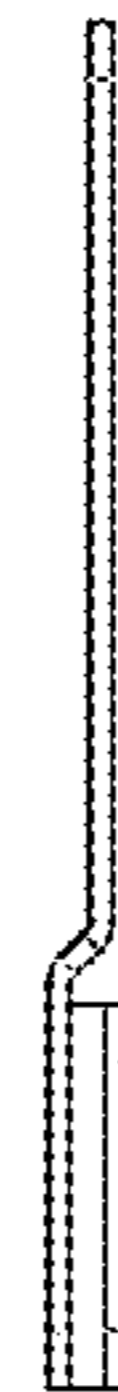


Fig. 7

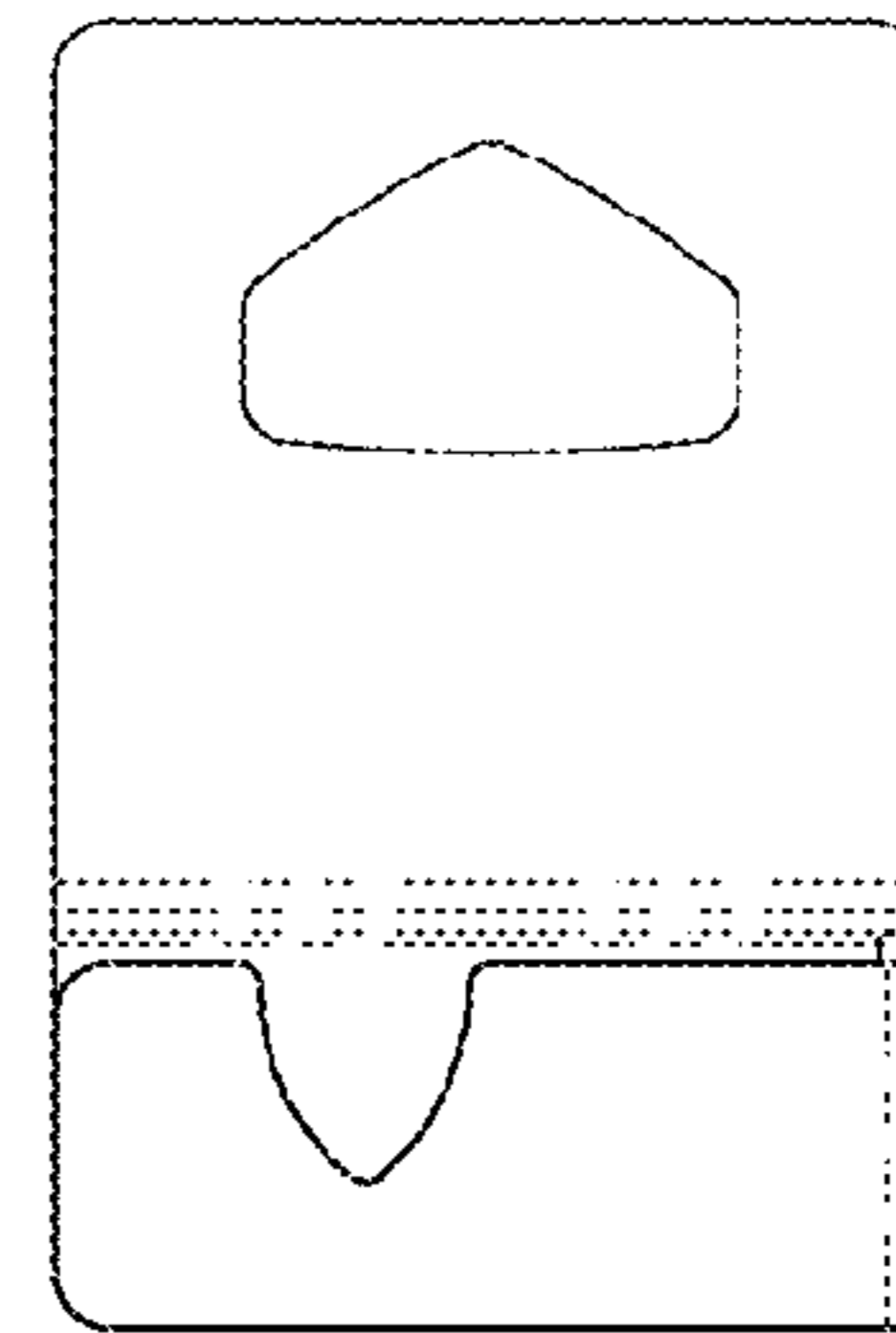


Fig. 3

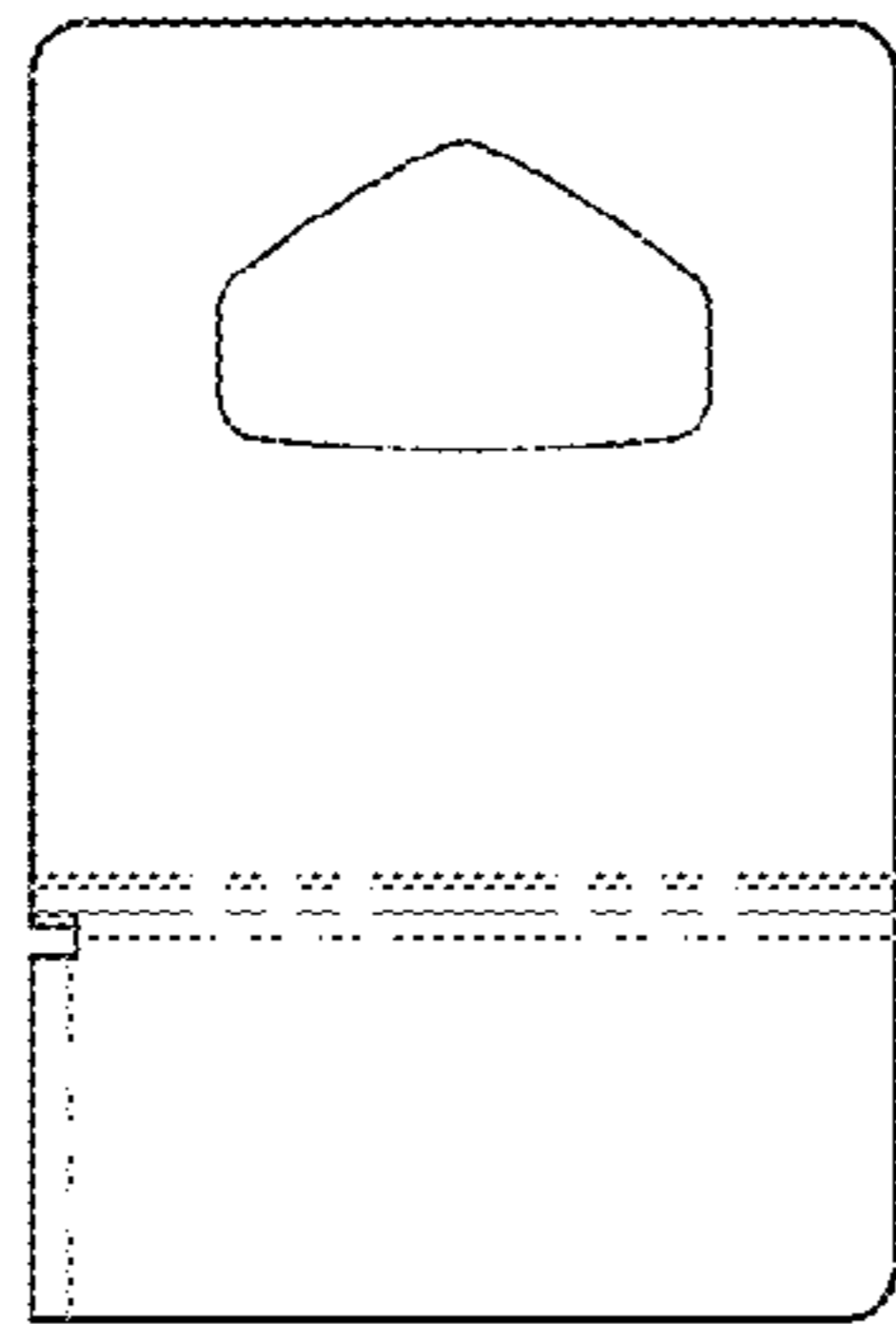


Fig. 8

