



US00D734022S

(12) **United States Design Patent**  
**Harper**

(10) **Patent No.:** **US D734,022 S**  
(45) **Date of Patent:** **\*\* Jul. 14, 2015**

(54) **CASE FOR A COMMUNICATIONS HEADSET**

(71) Applicant: **Plantronics, Inc.**, Santa Cruz, CA (US)

(72) Inventor: **Pierre Harper**, Santa Cruz, CA (US)

(73) Assignee: **Plantronics, Inc.**, Santa Cruz, CA (US)

(\*\*) Term: **14 Years**

(21) Appl. No.: **29/466,381**

(22) Filed: **Sep. 6, 2013**

(51) **LOC (10) Cl.** ..... **03-01**

(52) **U.S. Cl.**  
USPC ..... **D3/201; D3/218**

(58) **Field of Classification Search**  
USPC ..... D3/201, 218, 269–271.1; 224/247, 257;  
381/330, 370; 379/430, 433.01;  
455/575.2, 575.7; D14/205–207, 223  
See application file for complete search history.

(56) **References Cited**

U.S. PATENT DOCUMENTS

D496,785 S	10/2004	Hussaini et al.	
D515,807 S	2/2006	Failace	
7,110,535 B2 *	9/2006	Bodley et al. ....	379/430
D543,023 S	5/2007	Han et al.	
D543,694 S *	6/2007	Wang .....	D3/218
D558,392 S	12/2007	Van Keppel et al.	
D565,836 S	4/2008	Wang	
D582,662 S *	12/2008	Tkachuk .....	D3/218
D604,945 S *	12/2009	Tkachuk .....	D3/218

D609,901 S *	2/2010	Behar et al. ....	D3/218
D612,595 S *	3/2010	McCurdy .....	D3/218
8,055,005 B2 *	11/2011	Liu et al. ....	381/374
D706,243 S *	6/2014	Brandis .....	D14/223
D713,822 S *	9/2014	Paradise et al. ....	D14/223

OTHER PUBLICATIONS

Nguyen, "Plantronics Discovery 975 Review," found at URL <<http://www.slashgear.com/plantronics-discovery-975-review-1952955/>>, Aug. 19, 2009, 15 pages.

\* cited by examiner

*Primary Examiner* — Catheri Oliver-Garcia

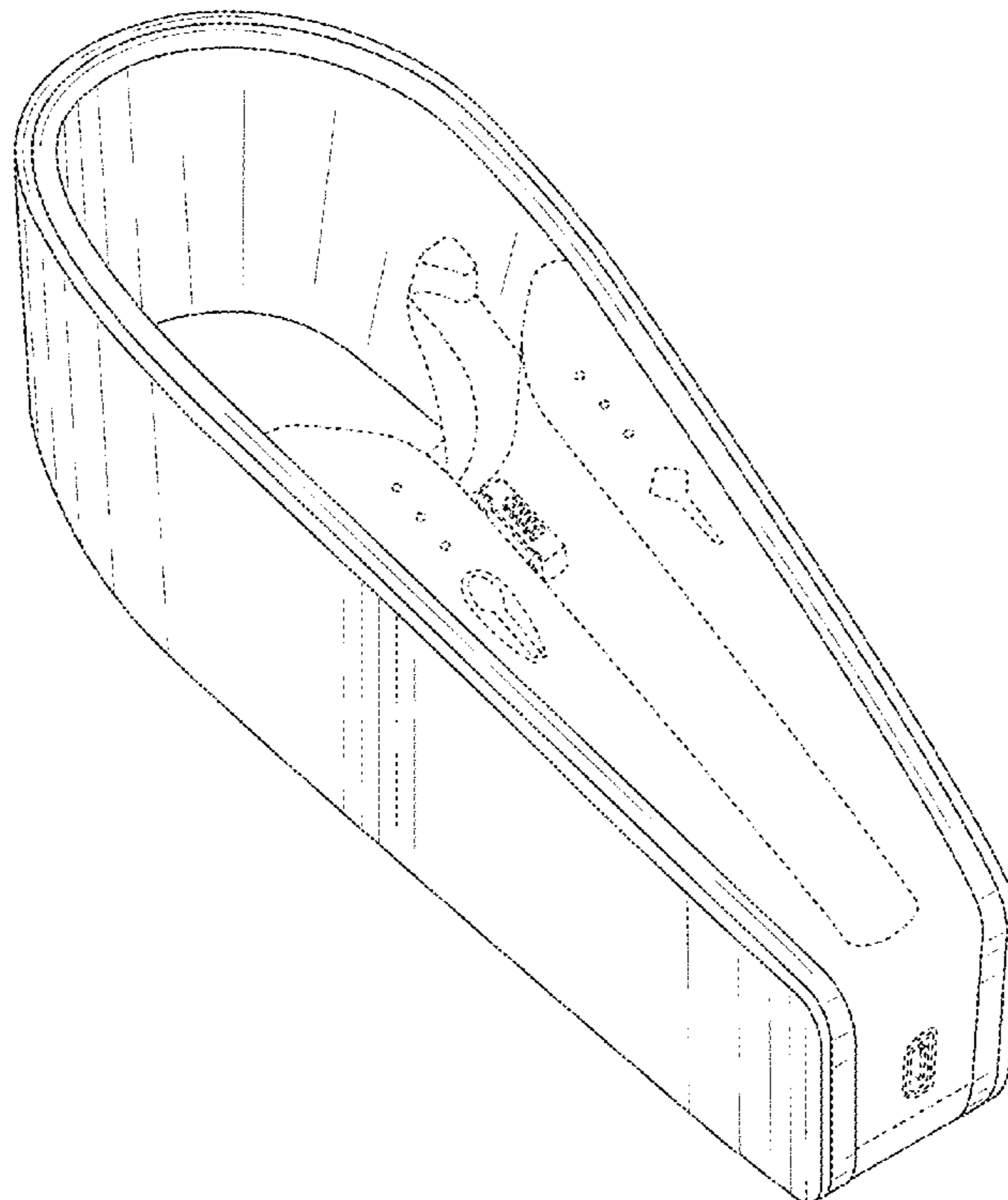
(57) **CLAIM**

The ornamental design for a case for a communications headset, as shown and described.

**DESCRIPTION**

FIG. 1 is a perspective view of a case for a communications headset showing my new design;  
FIG. 2 is a front view thereof;  
FIG. 3 is a rear view thereof;  
FIG. 4 is a top view thereof;  
FIG. 5 is a bottom view thereof;  
FIG. 6 is a left side view thereof; and,  
FIG. 7 is a right side view thereof.  
The broken lines showing the unclaimed environment forms no part of the claimed design.

**1 Claim, 3 Drawing Sheets**



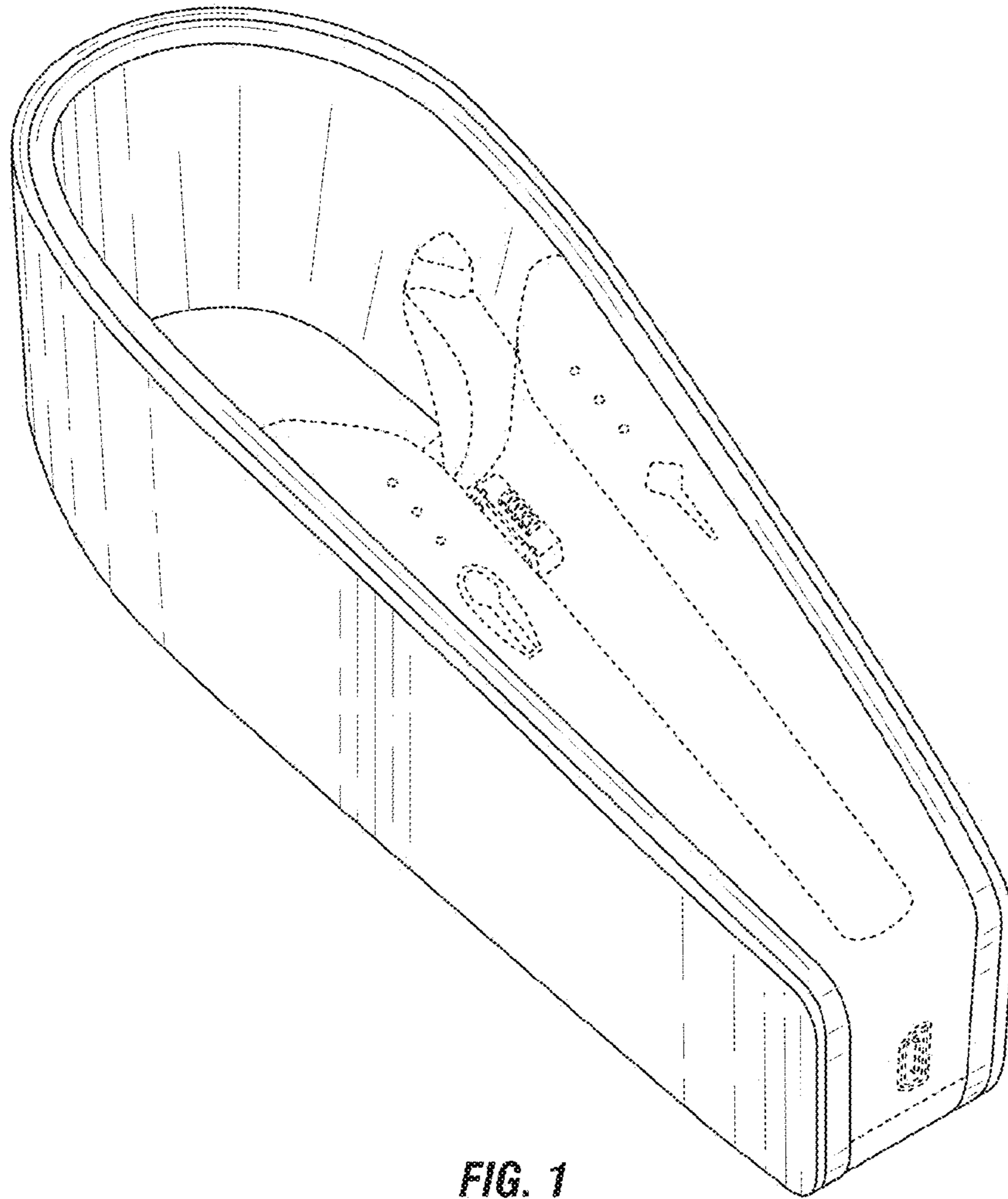


FIG. 1

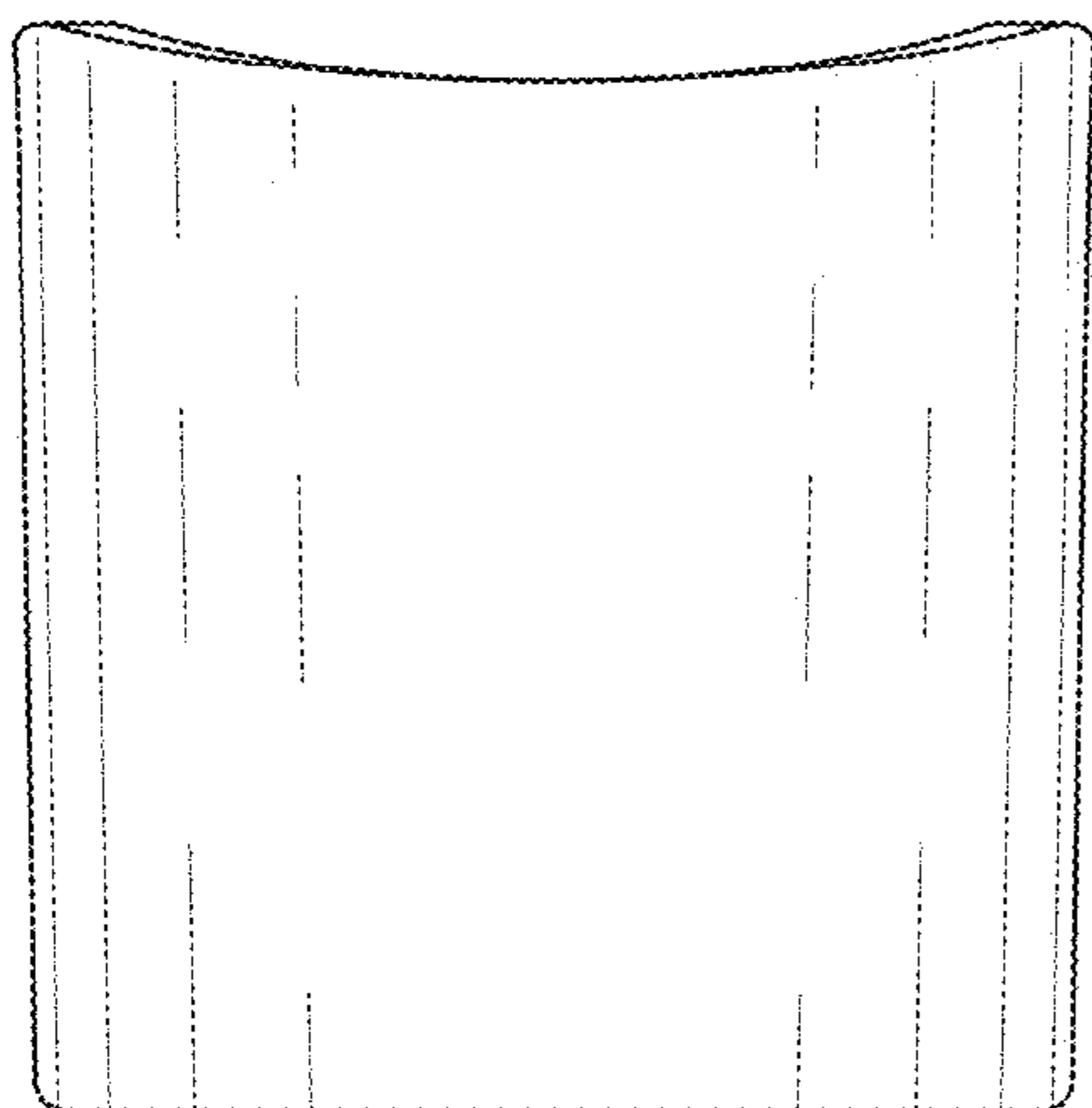


FIG. 2

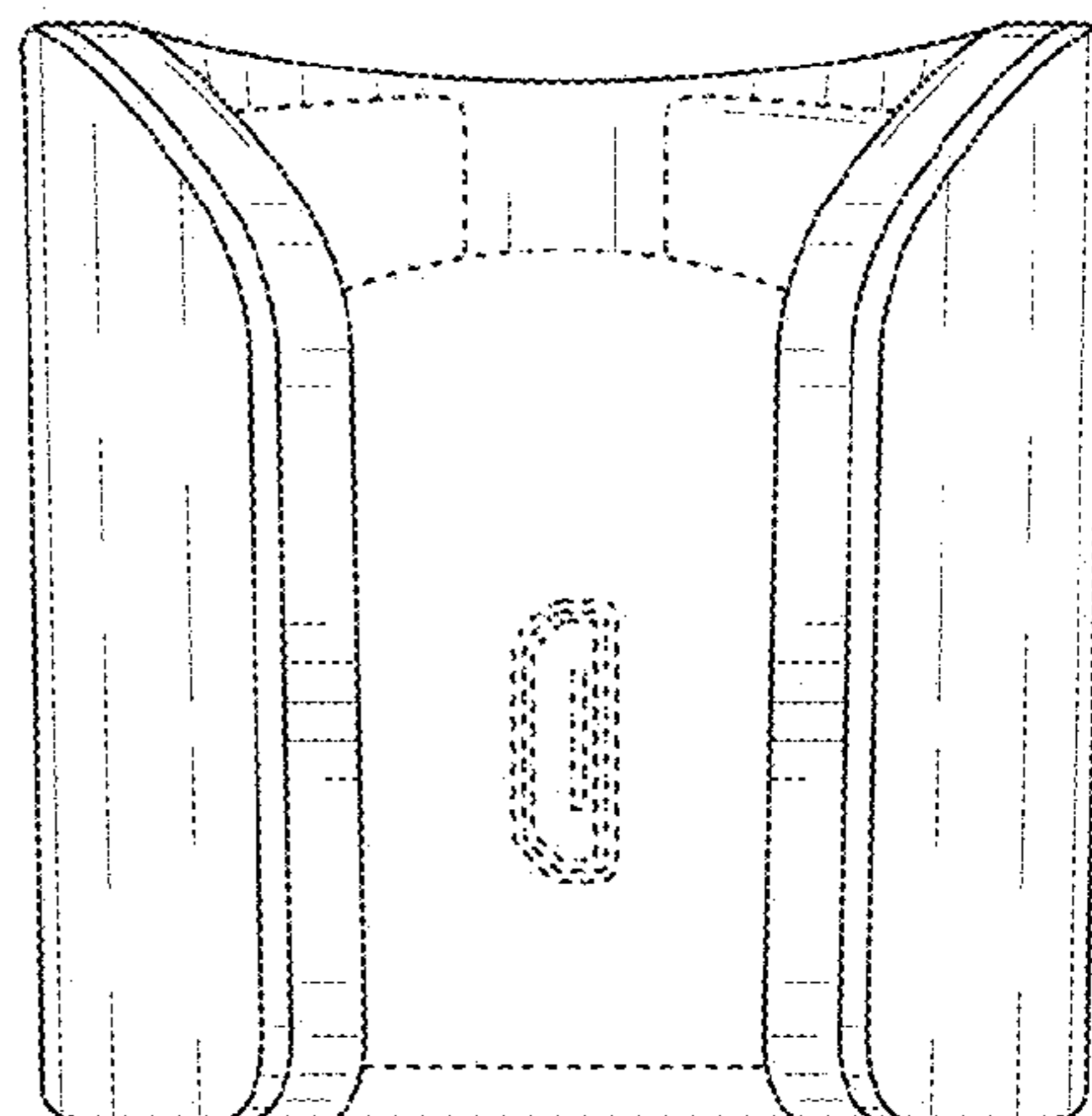
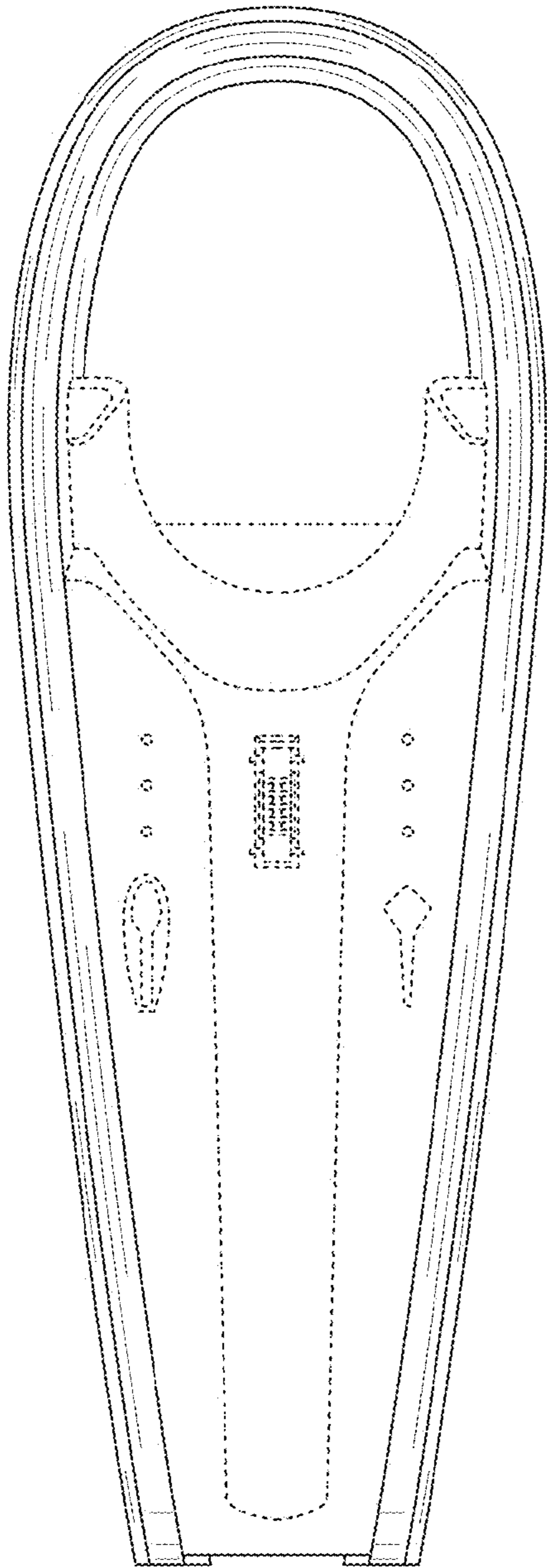
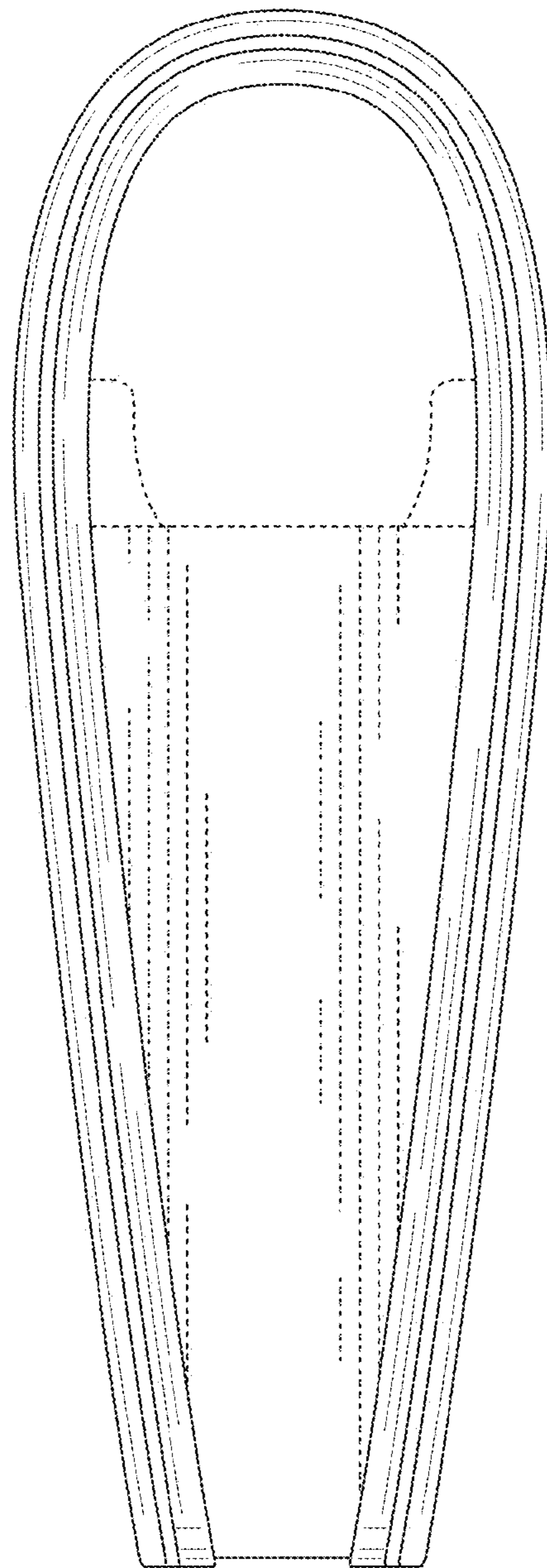


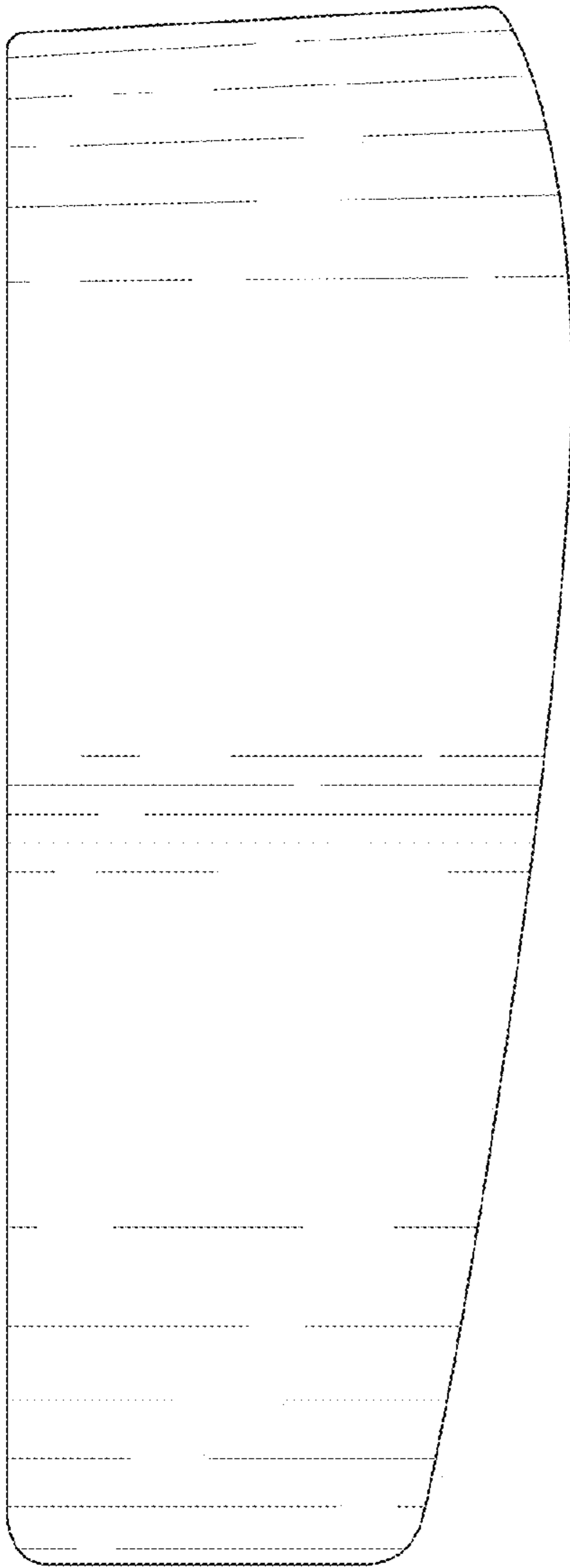
FIG. 3



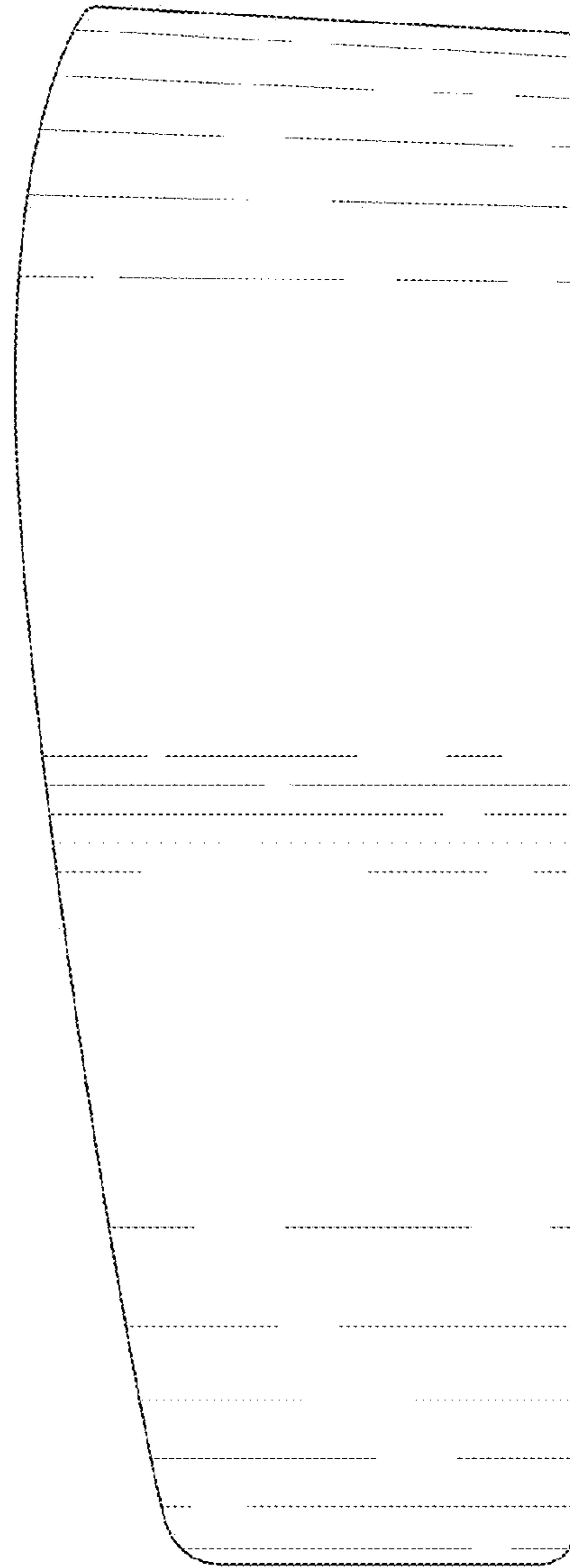
**FIG. 4**



**FIG. 5**



**FIG. 6**



**FIG. 7**