



US00D734007S

(12) **United States Design Patent**
Osiol

(10) **Patent No.:** **US D734,007 S**
(45) **Date of Patent:** **** Jul. 14, 2015**

(54) **PAIR OF FOOTWEAR SOLES BEARING AN IMPRINTED MESSAGE**

(71) Applicant: **Scott Osiol**, Pottstown, PA (US)

(72) Inventor: **Scott Osiol**, Pottstown, PA (US)

(**) Term: **14 Years**

(21) Appl. No.: **29/461,071**

(22) Filed: **Jul. 18, 2013**

(51) **LOC (10) Cl.** **02-04**

(52) **U.S. Cl.**
USPC **D2/952**; D2/951; D2/948

(58) **Field of Classification Search**
USPC D2/902, 906, 908, 916, 918, 925,
D2/946-962, 977; 36/3 B, 22 R, 24.5, 25 R,
36/28, 32 R, 34 R, 59 C, 67 A, 103
See application file for complete search history.

(56) **References Cited**

U.S. PATENT DOCUMENTS

D366,135 S *	1/1996	Henderson et al.	D2/902
D414,318 S *	9/1999	Merceron	D2/952
D417,944 S *	12/1999	Merceron	D2/952
D439,730 S *	4/2001	Merceron	D2/952
D489,880 S *	5/2004	McClaskie	D2/952
D529,691 S *	10/2006	Earle	D2/951
D568,032 S *	5/2008	Lavergne	D2/917
D568,586 S *	5/2008	Dolce et al.	D2/907
D607,399 S	1/2010	Wilson	
D630,461 S	1/2011	Venugopal	
D641,425 S	7/2011	Smith	
D674,999 S	1/2013	Day, Jr.	
D675,000 S	1/2013	Day, Jr.	
D680,310 S *	4/2013	Dolce	D2/952
D680,721 S *	4/2013	Dolce	D2/952
D687,216 S *	8/2013	Habeeb	D2/916
D706,523 S *	6/2014	Acosta-Cazaubon	D2/952
8,752,310 B1 *	6/2014	Smith, III	36/137

8,918,938 B2 *	12/2014	Osiol	12/146 B
2004/0016149 A1 *	1/2004	Trommer	36/103
2004/0187349 A1 *	9/2004	Trommer	36/25 R
2012/0117830 A1	5/2012	Chen	
2012/0279260 A1 *	11/2012	Dua et al.	66/171
2013/0025162 A1 *	1/2013	Osiol	36/103
2014/0007460 A1 *	1/2014	White et al.	36/103

* cited by examiner

Primary Examiner — T. Chase Nelson

(74) *Attorney, Agent, or Firm* — Muskin & Farmer LLC

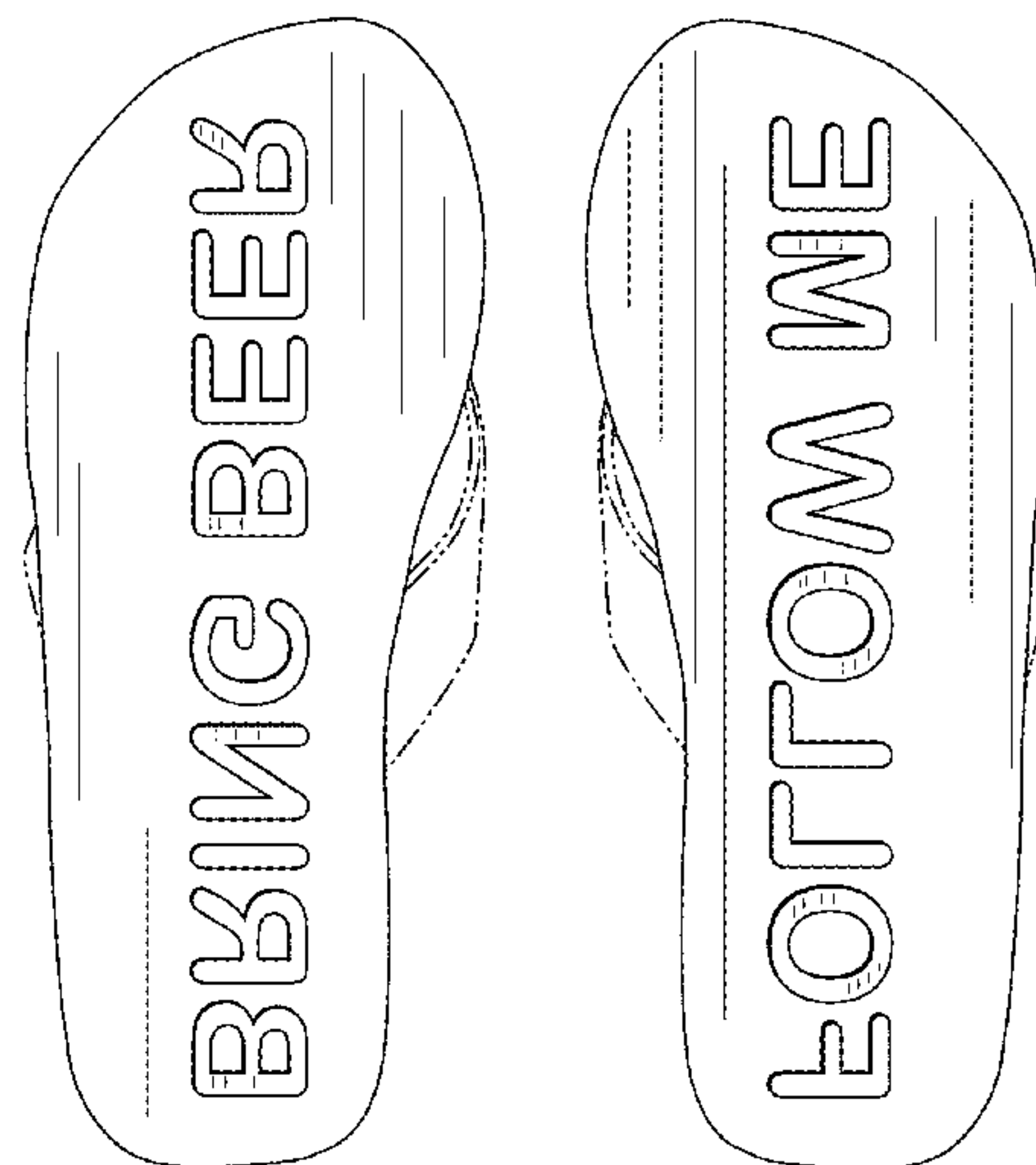
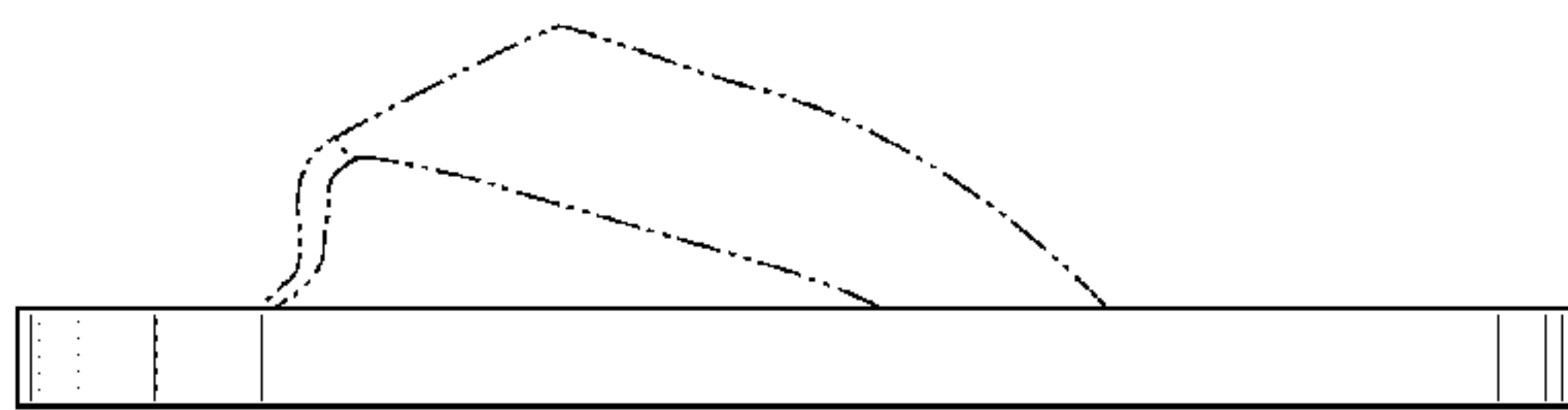
(57) **CLAIM**

The ornamental design for a pair of footwear soles bearing an imprinted message, as shown and described.

DESCRIPTION

FIG. 1 is an orthographic view of the bottom of a pair of footwear soles bearing an imprinted message;
 FIG. 2 is a front view thereof;
 FIG. 3 is a side view of the outside edge of the footwear sole intended to be used on the right foot, the outside edge of the footwear sole intended to be used on a left foot would be a mirror image of the outside edge of the footwear sole for use on the right foot;
 FIG. 4 is a back view of the pair of footwear soles bearing an imprinted message;
 FIG. 5 is a side view of the inside edge of the footwear sole intended to be used on the right foot, the inside edge of the footwear sole intended to be used on the left foot would be a mirror image of the inside edge of the footwear sole for use on the right foot;
 FIG. 6 is a top view of a pair of footwear soles bearing an imprinted message; and,
 FIG. 7 is a bottom view thereof.
 The broken lines form the environment of a pair of footwear soles bearing an imprinted message, and form no part of the claimed design.

1 Claim, 4 Drawing Sheets



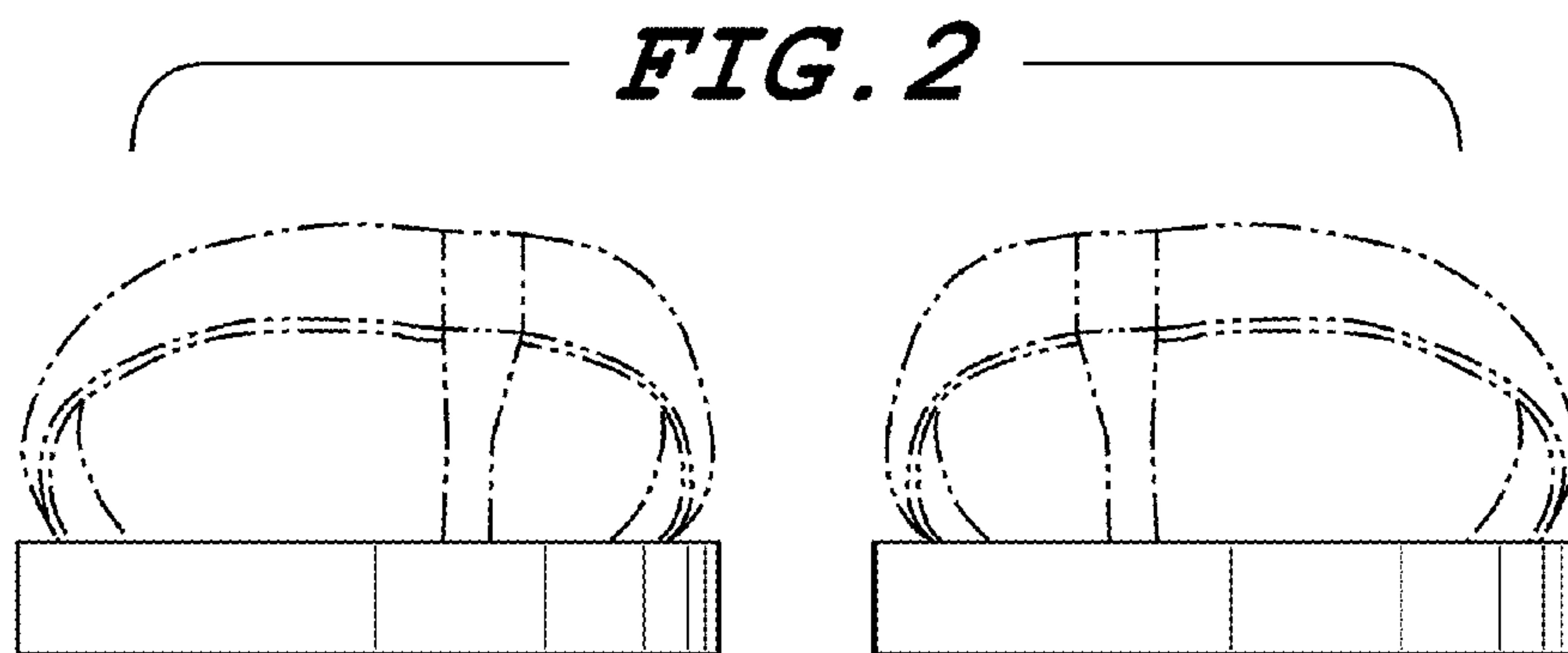
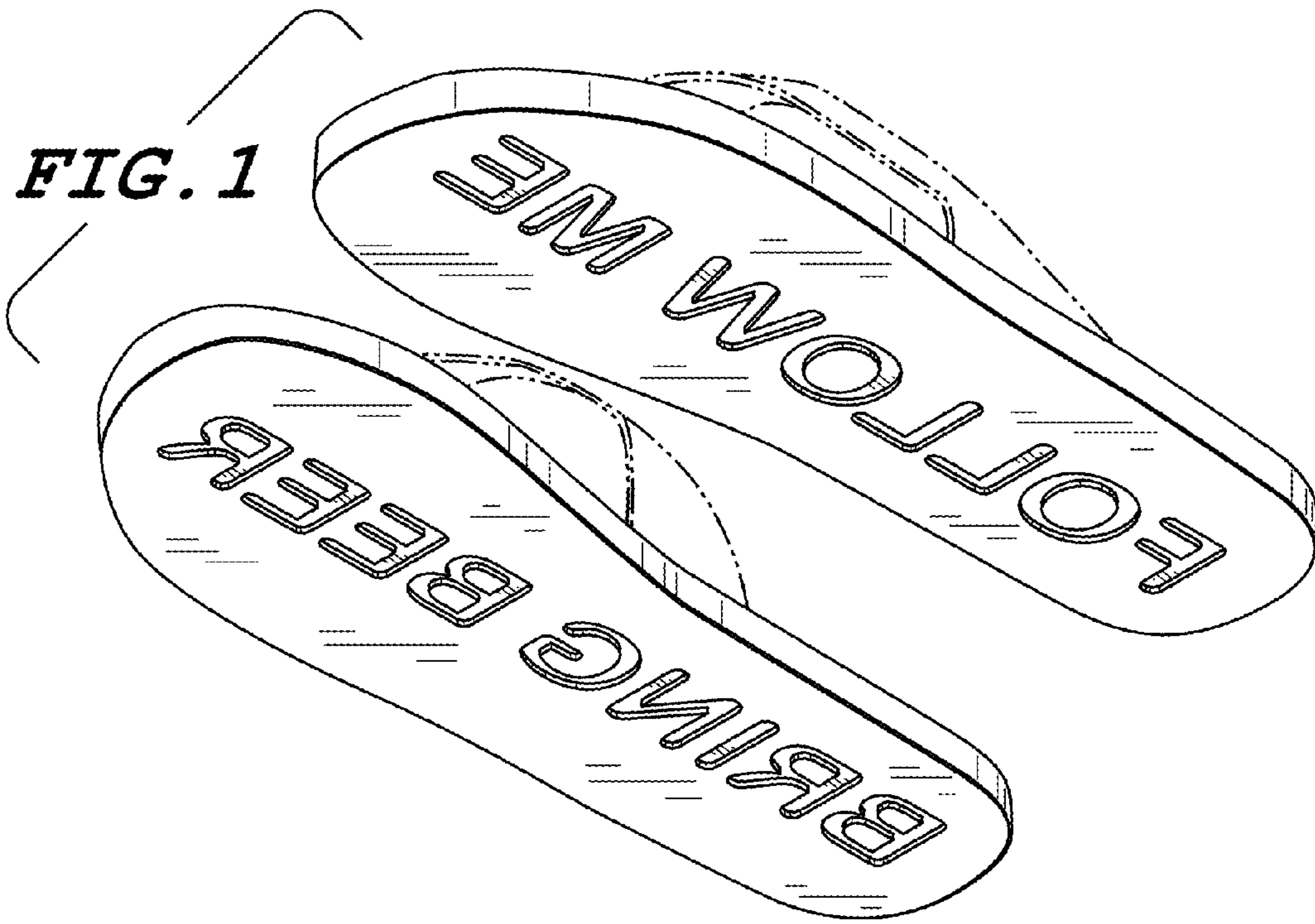


FIG. 3

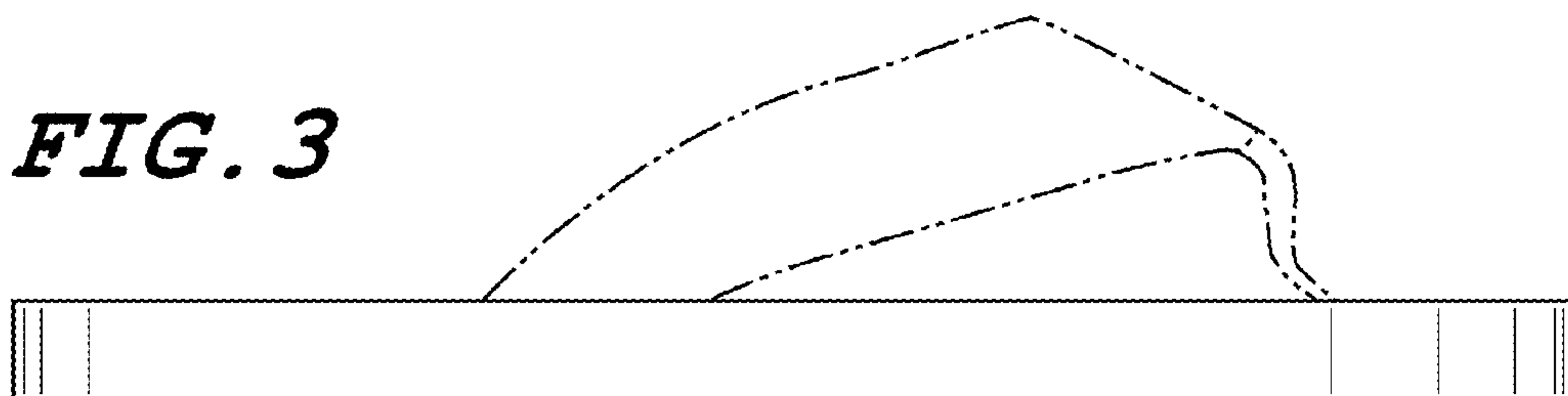


FIG. 4

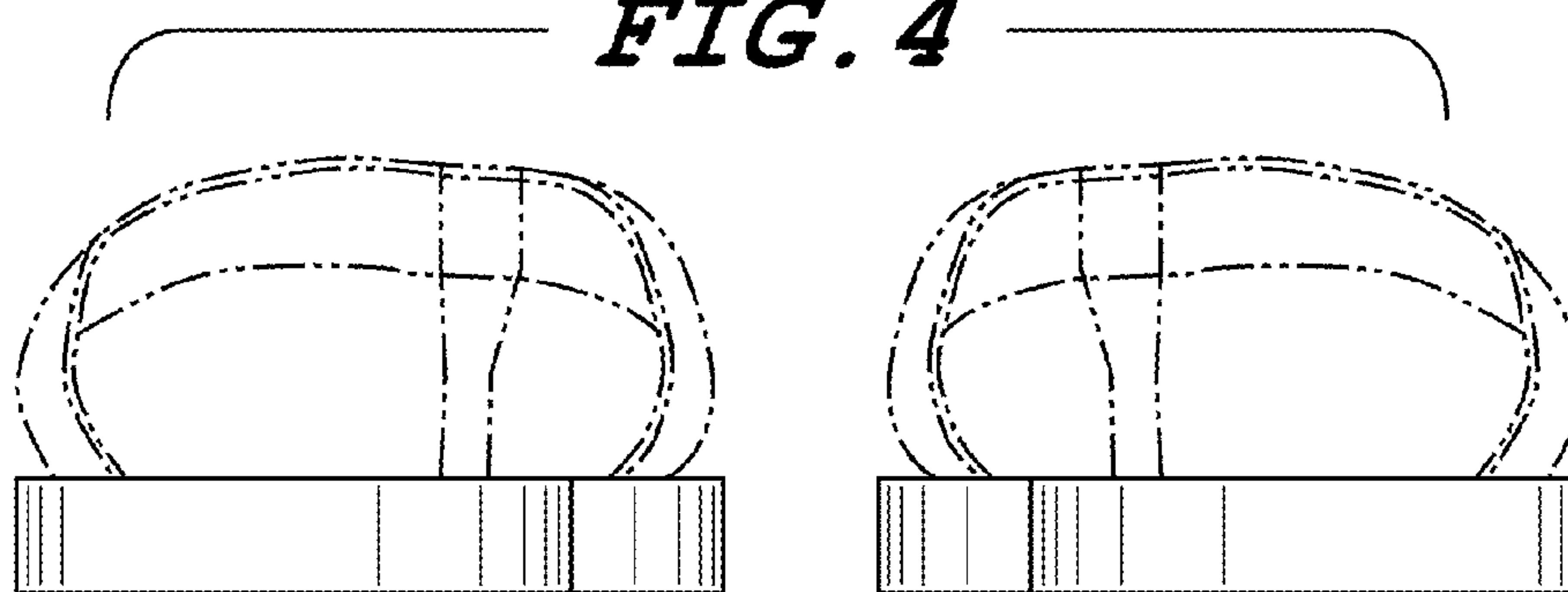


FIG. 5

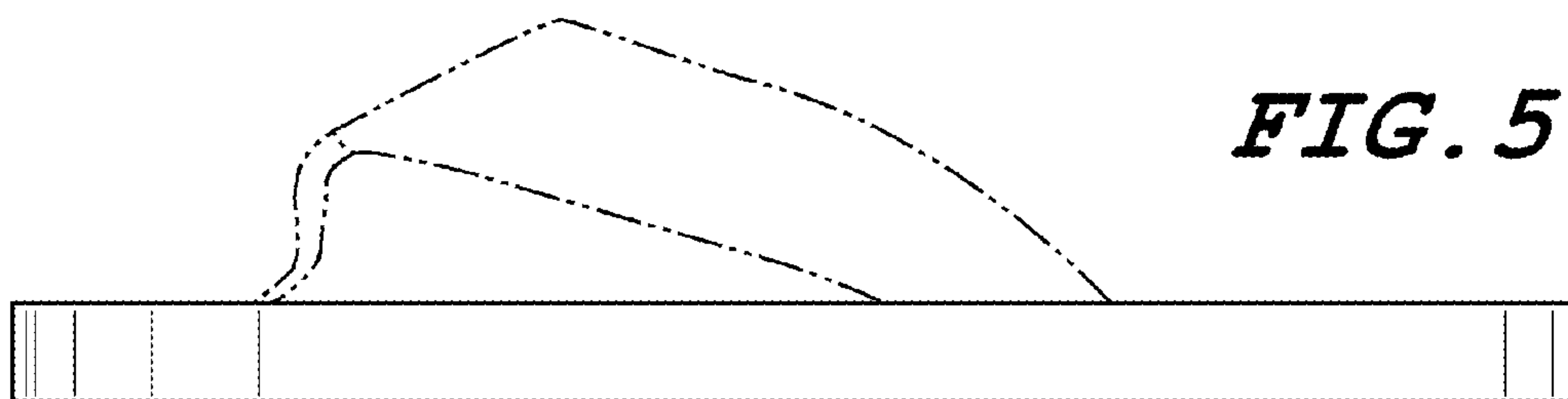


FIG. 6

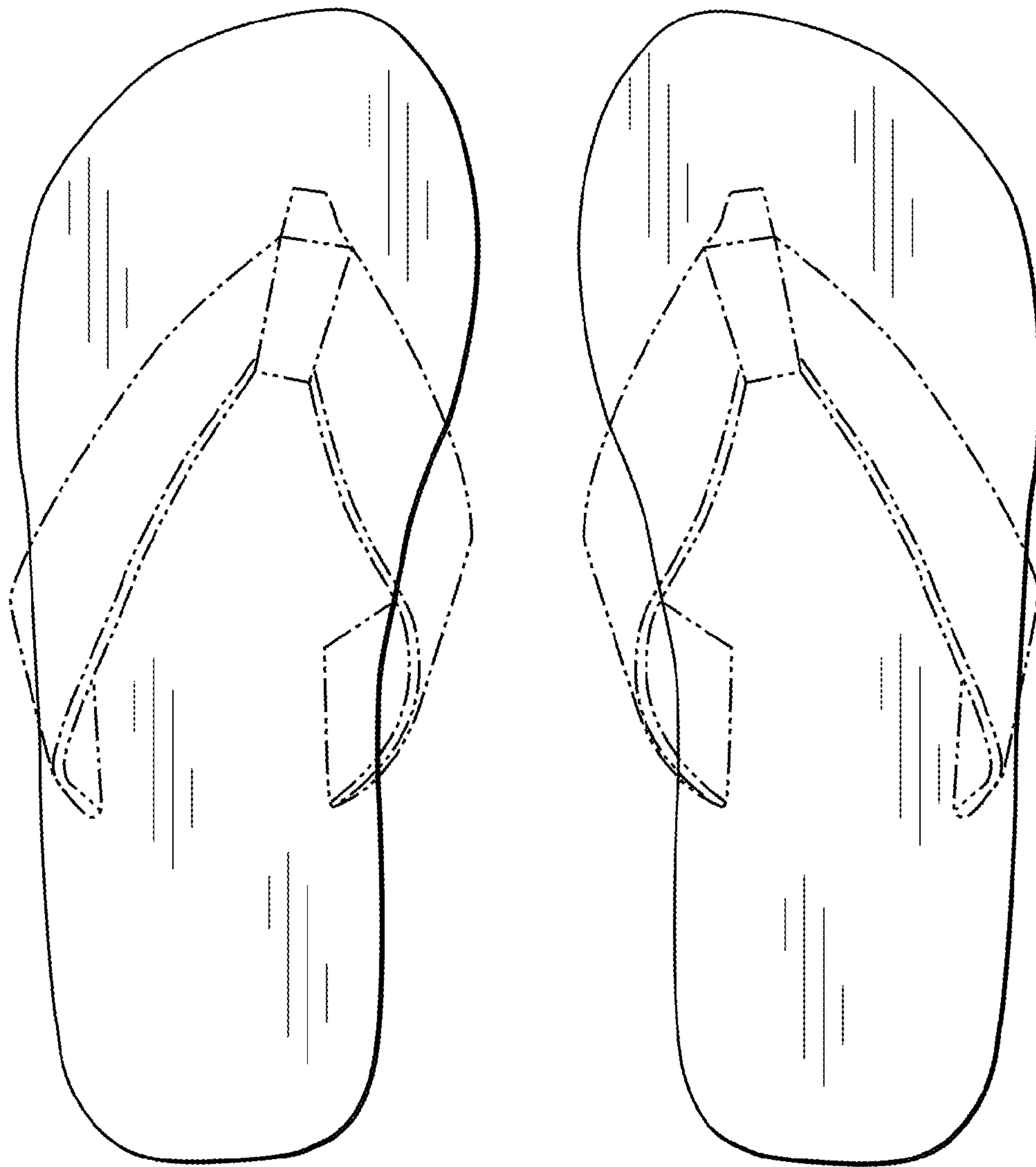


FIG. 7

