



US00D734001S

(12) **United States Design Patent**  
**Delgrosso**

(10) **Patent No.:** **US D734,001 S**  
(45) **Date of Patent:** **\*\* Jul. 14, 2015**

- (54) **ALPHABET DRESS**
- (71) Applicant: **Nelly Delgrosso**, Howard Beach, NY (US)
- (72) Inventor: **Nelly Delgrosso**, Howard Beach, NY (US)
- (\*\*) Term: **14 Years**
- (21) Appl. No.: **29/458,796**
- (22) Filed: **Jun. 22, 2013**
- (51) **LOC (10) Cl.** ..... **02-02**
- (52) **U.S. Cl.**  
USPC ..... **D2/756**
- (58) **Field of Classification Search**  
USPC ..... D2/756, 793, 797, 800, 804, 776  
See application file for complete search history.

(56) **References Cited**

**U.S. PATENT DOCUMENTS**

D56,639 S 11/1920 Weissenbach  
D56,640 S 11/1920 Weissenbach

(Continued)

**FOREIGN PATENT DOCUMENTS**

FR 1381573 A \* 12/1964

*Primary Examiner* — Rashida Johnson

(74) *Attorney, Agent, or Firm* — QuickPatents; Kevin Prince

(57) **CLAIM**

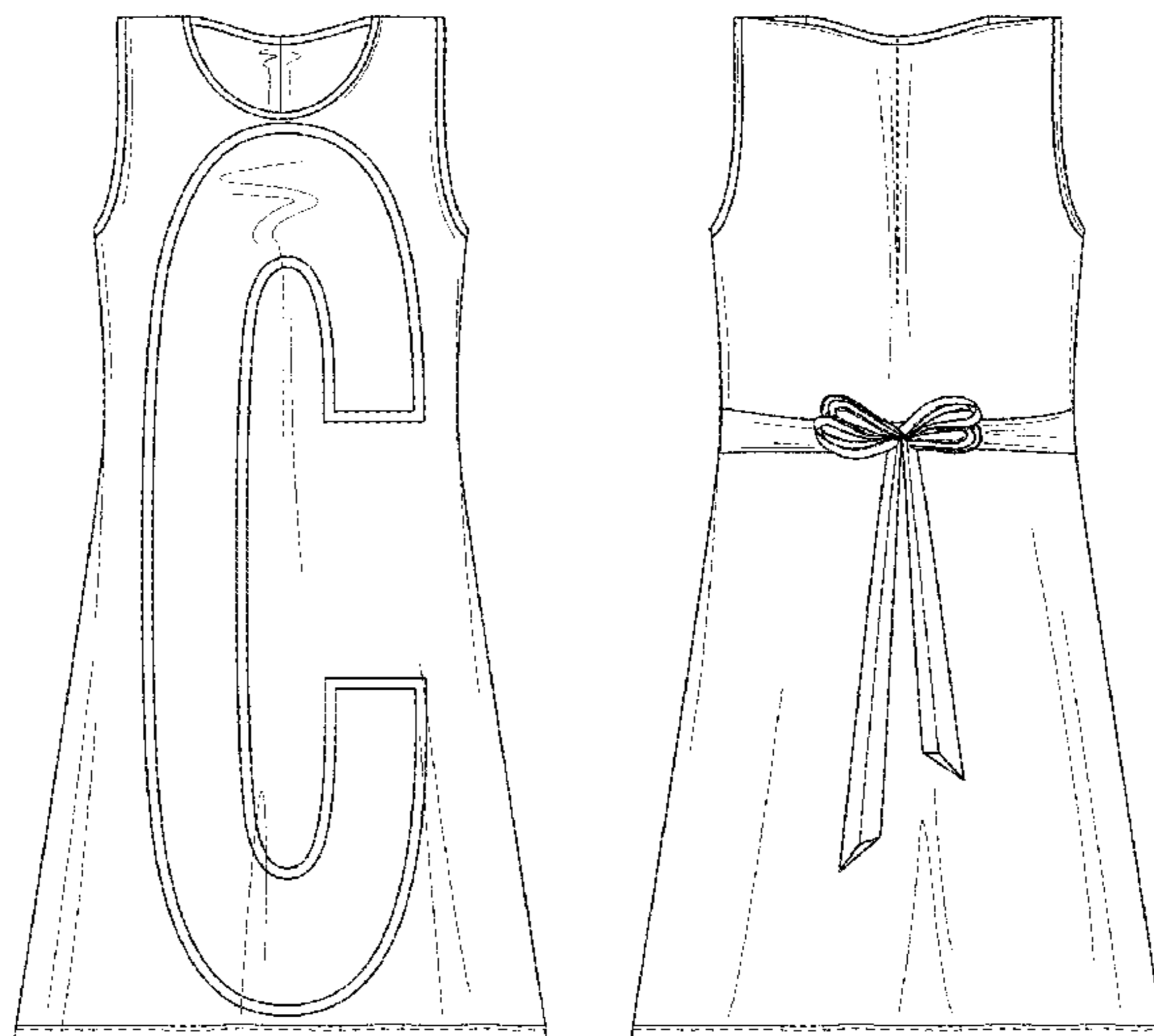
I claim the ornamental design for an alphabet dress, as shown and described.

**DESCRIPTION**

FIG. 1 is a perspective view of an alphabet dress, showing a first embodiment of my new design;

FIG. 2 is a front elevational view of FIG. 1;  
 FIG. 3 is a rear elevational view of FIG. 1;  
 FIG. 4 is a right-side elevational view of FIG. 1;  
 FIG. 5 is a left-side elevational view of FIG. 1;  
 FIG. 6 is a top plan view of FIG. 1;  
 FIG. 7 is a bottom plan view of FIG. 1;  
 FIG. 8 is a perspective view of a second embodiment thereof;  
 FIG. 9 is a front elevational view of FIG. 8;  
 FIG. 10 is a right-side elevational view of FIG. 8;  
 FIG. 11 is a left-side elevational view of FIG. 8;  
 FIG. 12 is a top plan view of FIG. 8;  
 FIG. 13 is a bottom plan view of FIG. 8;  
 FIG. 14 is a perspective view of a third embodiment thereof;  
 FIG. 15 is a front elevational view of FIG. 14;  
 FIG. 16 is a right-side elevational view of FIG. 14;  
 FIG. 17 is a left-side elevational view of FIG. 14;  
 FIG. 18 is a top plan view of FIG. 14;  
 FIG. 19 is a bottom plan view of FIG. 14;  
 FIG. 20 is a perspective view of a fourth embodiment thereof;  
 FIG. 21 is a front elevational view of FIG. 20;  
 FIG. 22 is a right-side elevational view of FIG. 20;  
 FIG. 23 is a left-side elevational view of FIG. 20;  
 FIG. 24 is a top plan view of FIG. 20;  
 FIG. 25 is a bottom plan view of FIG. 20;  
 FIG. 26 is a perspective view of a fifth embodiment thereof;  
 FIG. 27 is a front elevational view of FIG. 26;  
 FIG. 28 is a right-side elevational view of FIG. 26;  
 FIG. 29 is a left-side elevational view of FIG. 26;  
 FIG. 30 is a top plan view of FIG. 26;  
 FIG. 31 is a bottom plan view of FIG. 26;  
 FIG. 32 is a perspective view of a sixth embodiment thereof;  
 FIG. 33 is a front elevational view of FIG. 32;  
 FIG. 34 is a right-side elevational view of FIG. 32;  
 FIG. 35 is a left-side elevational view of FIG. 32;  
 FIG. 36 is a top plan view of FIG. 32; and,  
 FIG. 37 is a bottom plan view of FIG. 32.  
 The broken lines in the figures represent stitching, and are part of the claimed design.

**1 Claim, 13 Drawing Sheets**



(56)

References Cited

U.S. PATENT DOCUMENTS

D118,494 S *	1/1940	Cloves .....	D2/776	2,557,355 A	6/1951	Kovacs	
RE21,522 E *	8/1940	Brown .....	2/74	4,125,902 A *	11/1978	Frank .....	2/74
2,212,719 A *	8/1940	Prouty .....	2/93	D263,090 S	2/1982	Digiandomenico	
D128,914 S	8/1941	Kaufman		D275,620 S	9/1984	Ellis	
D136,365 S *	9/1943	Walker .....	D2/800	D403,835 S	1/1999	Geyer	
D138,176 S	6/1944	Salsky		D668,431 S	10/2012	Macgillivray	
D140,068 S *	1/1945	Golden .....	D2/797	D672,937 S	12/2012	Rivera	
				2012/0129425 A1 *	5/2012	Bevans .....	450/11
				2014/0310849 A1 *	10/2014	Walker .....	2/74

\* cited by examiner

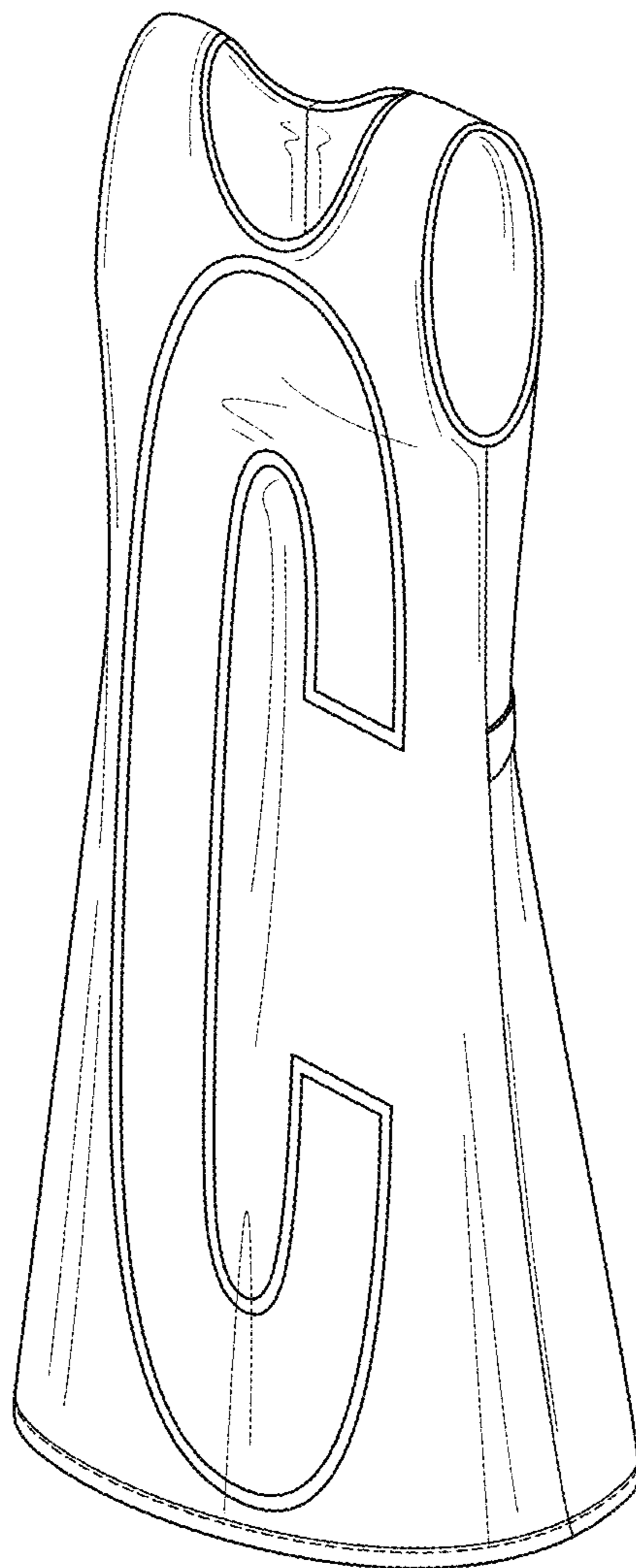


FIG. 1

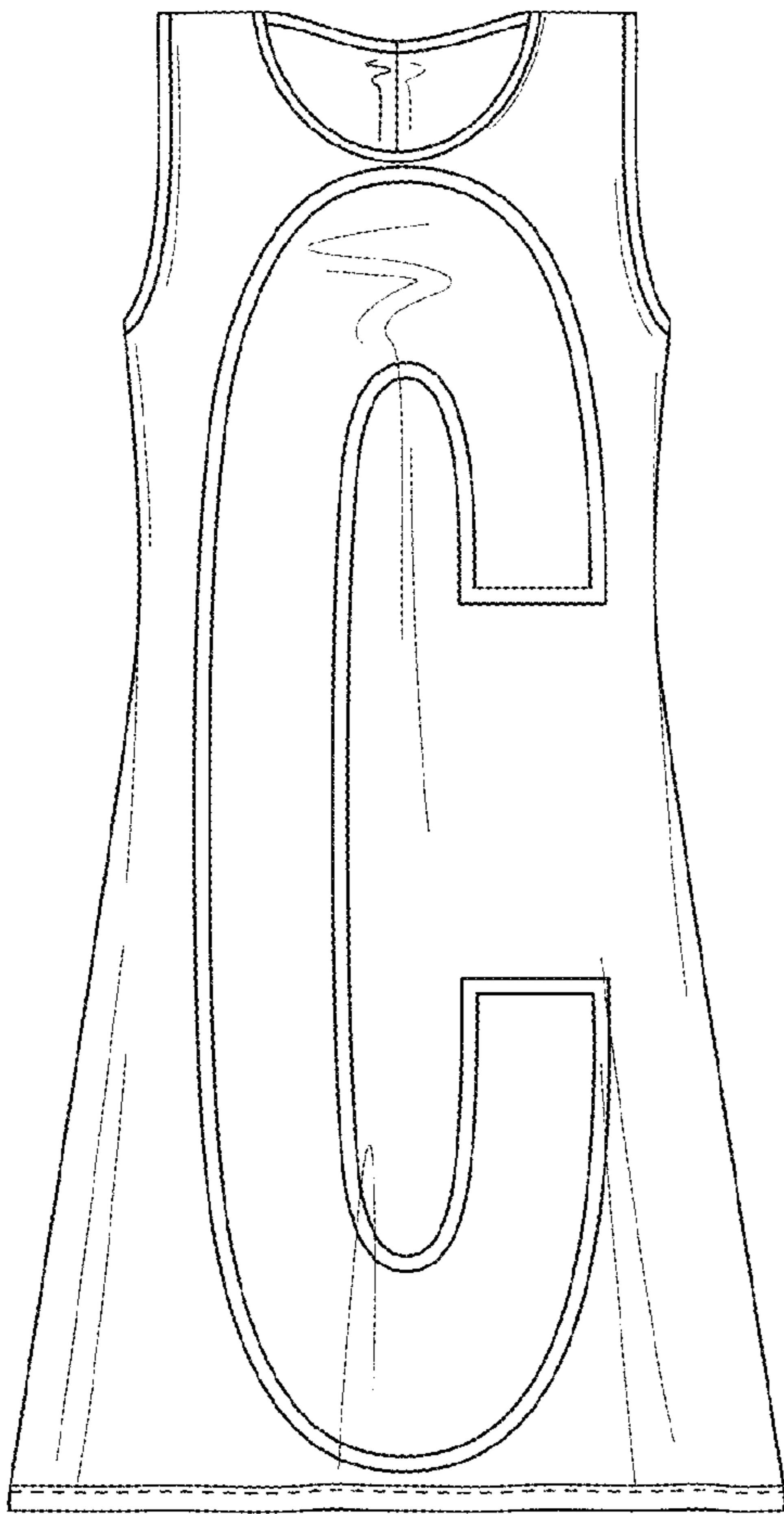


FIG. 2

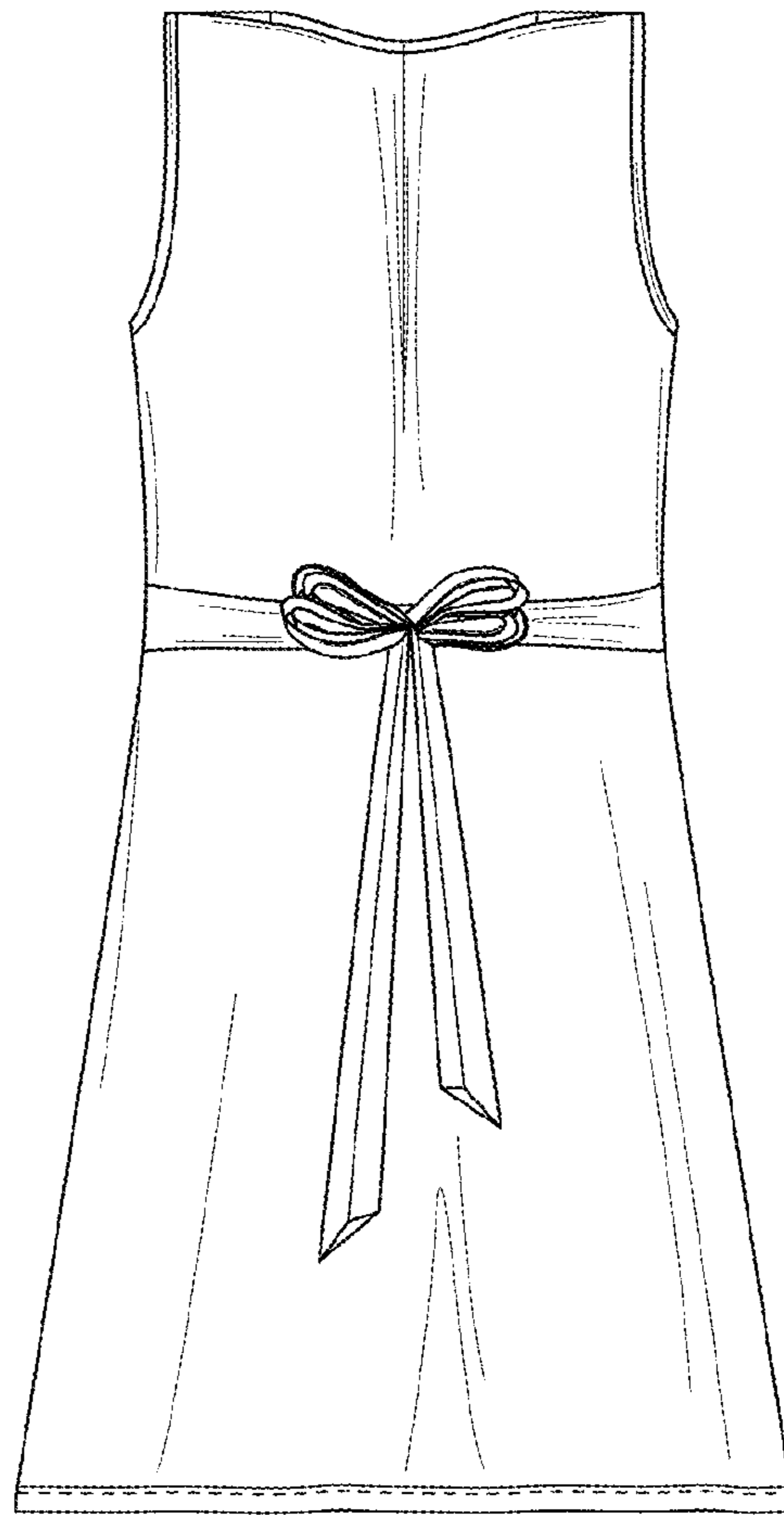


FIG. 3

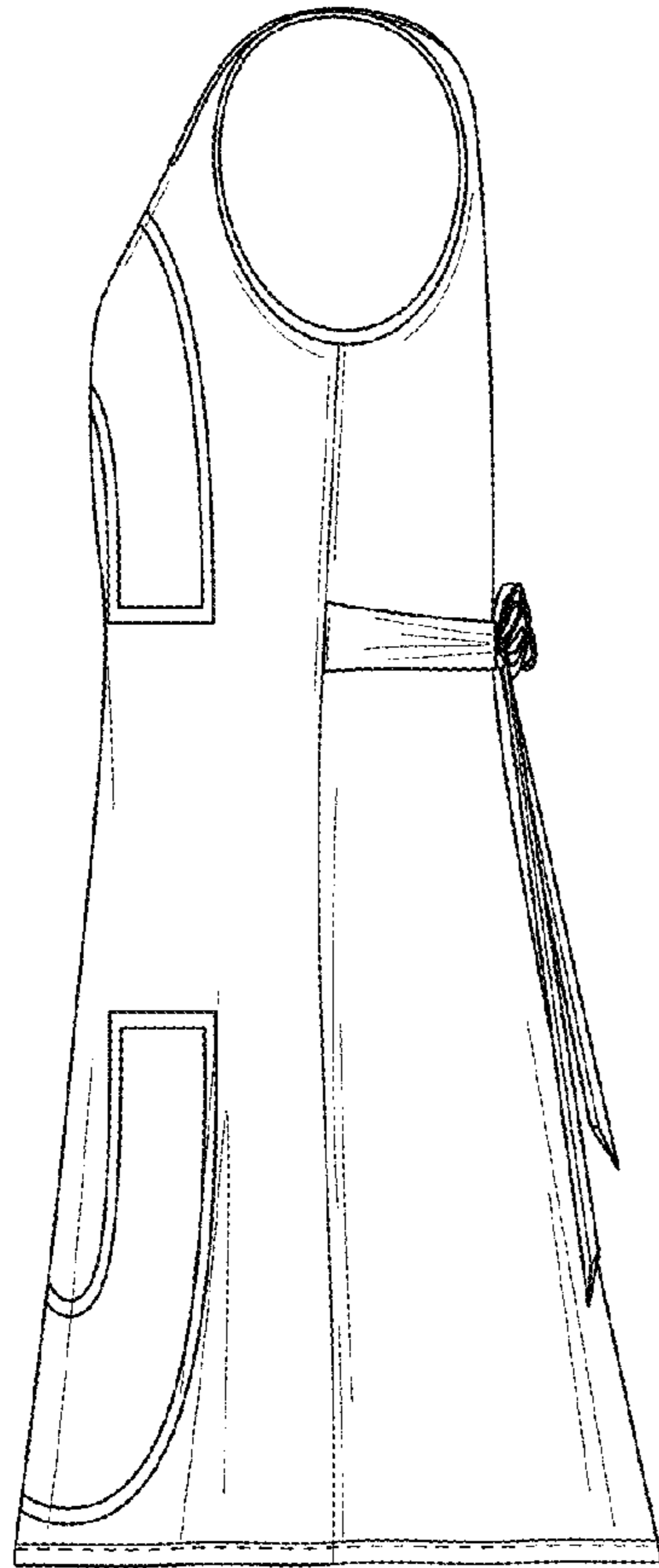


FIG. 4

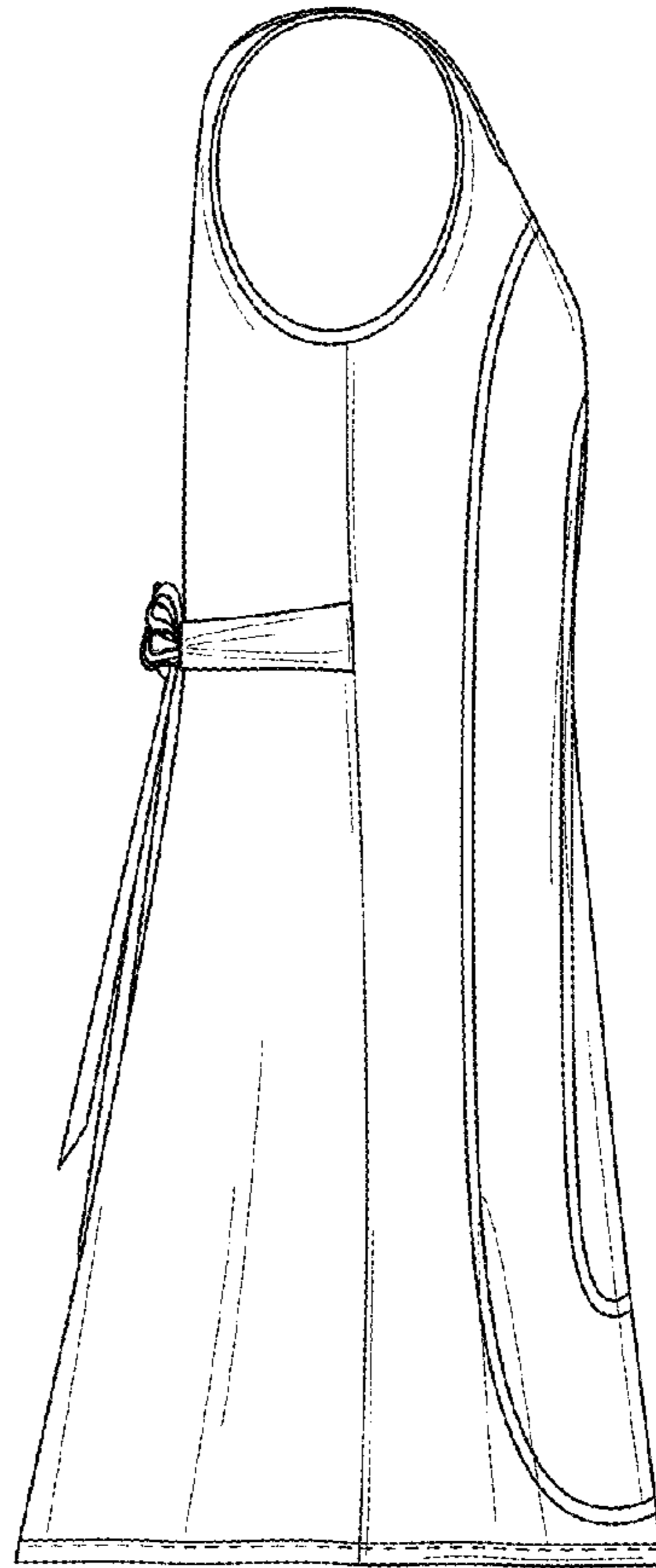


FIG. 5

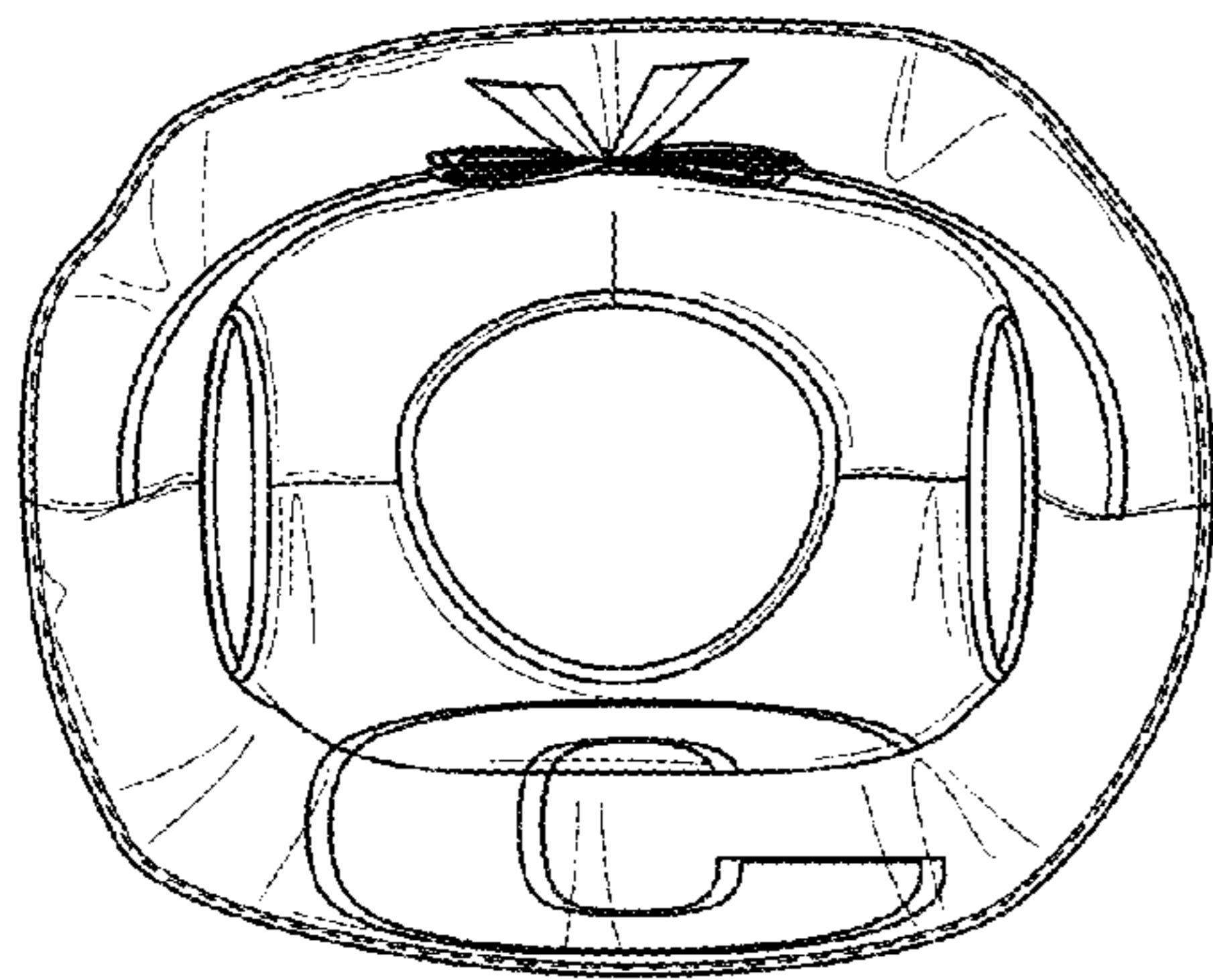


FIG. 6

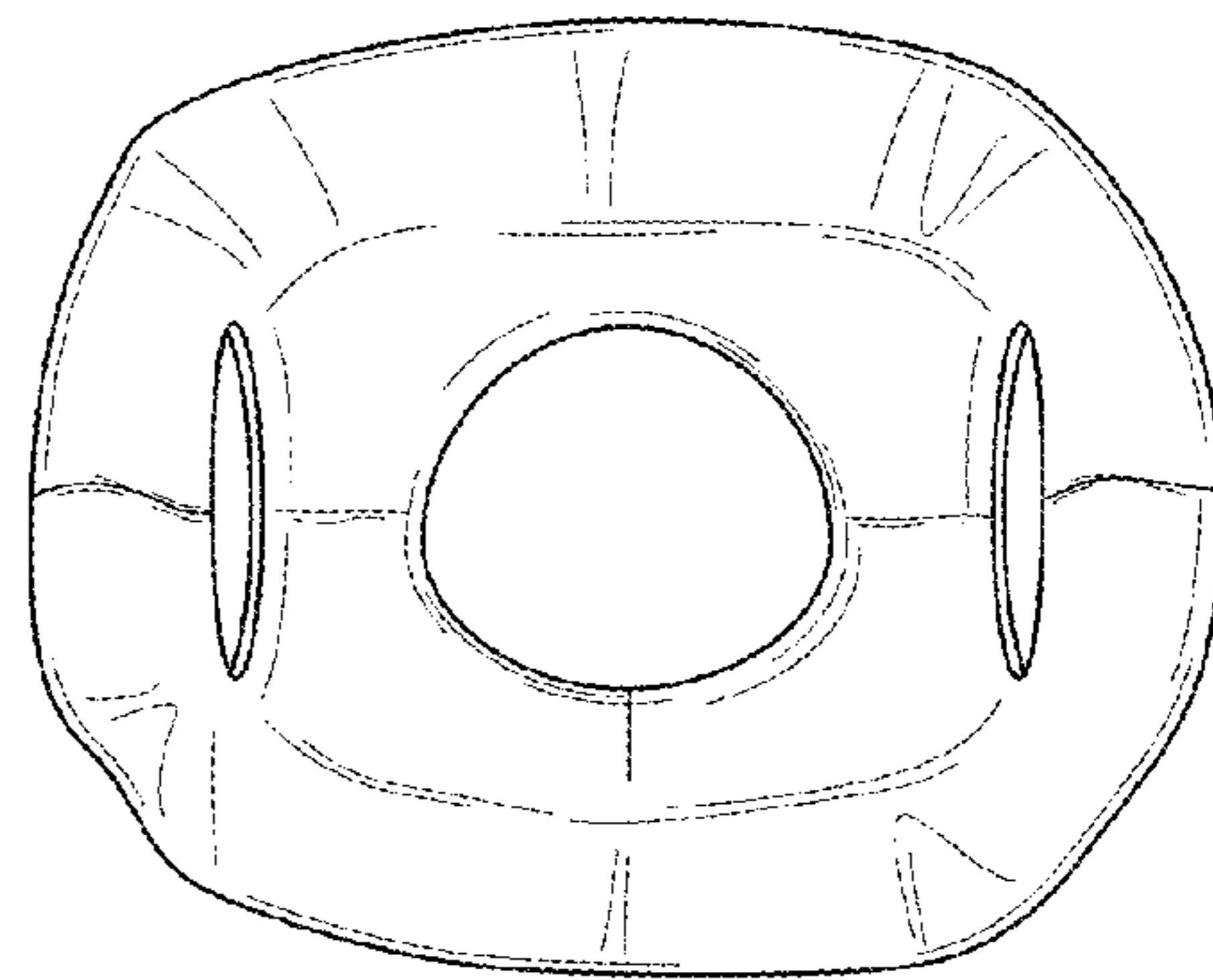


FIG. 7



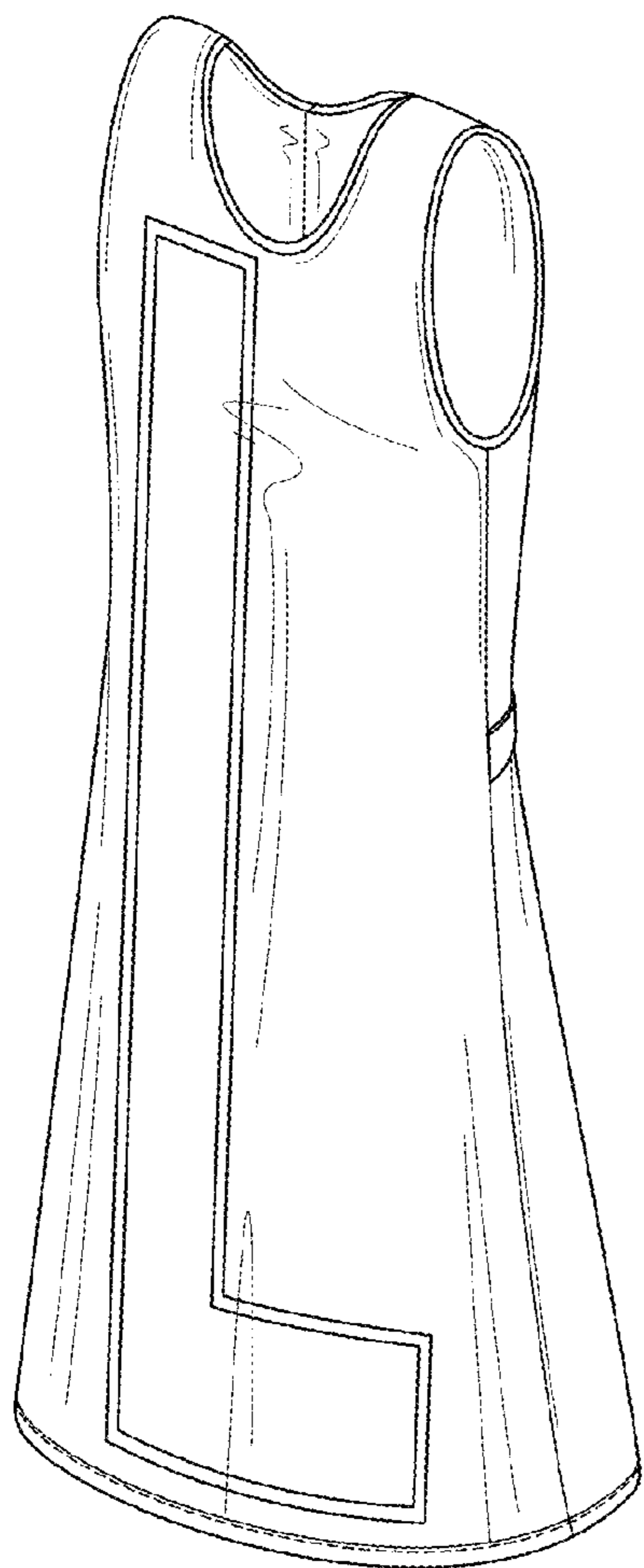


FIG. 8

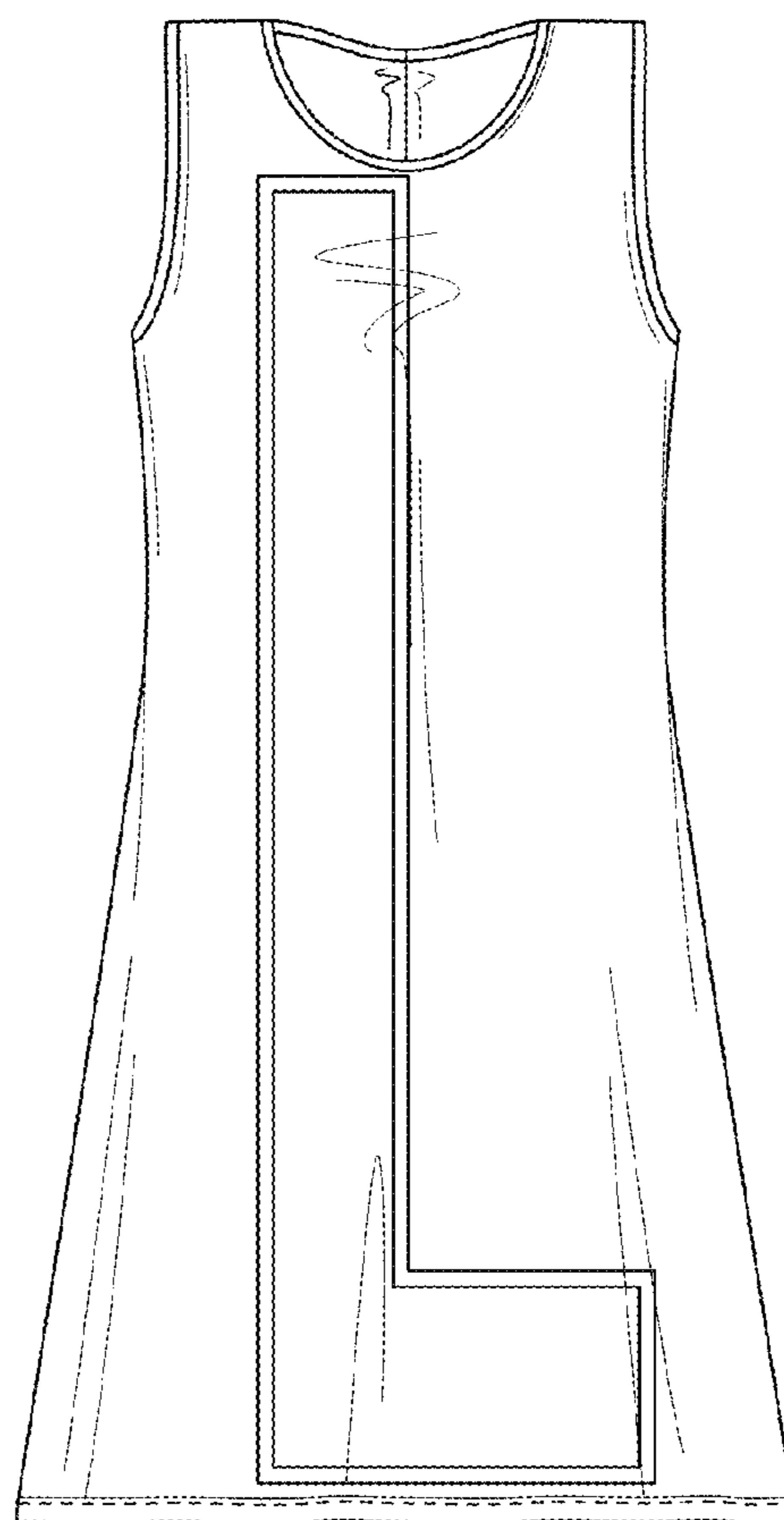


FIG. 9

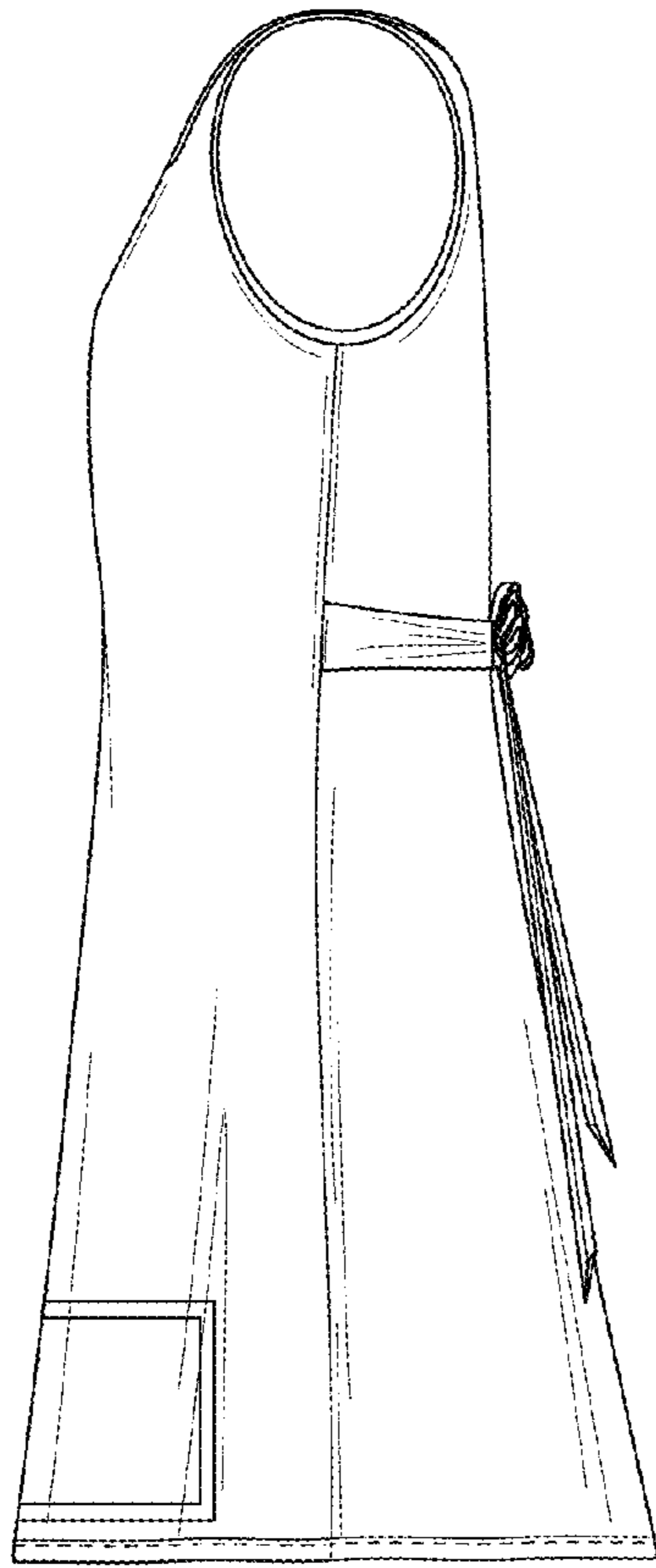


FIG. 10

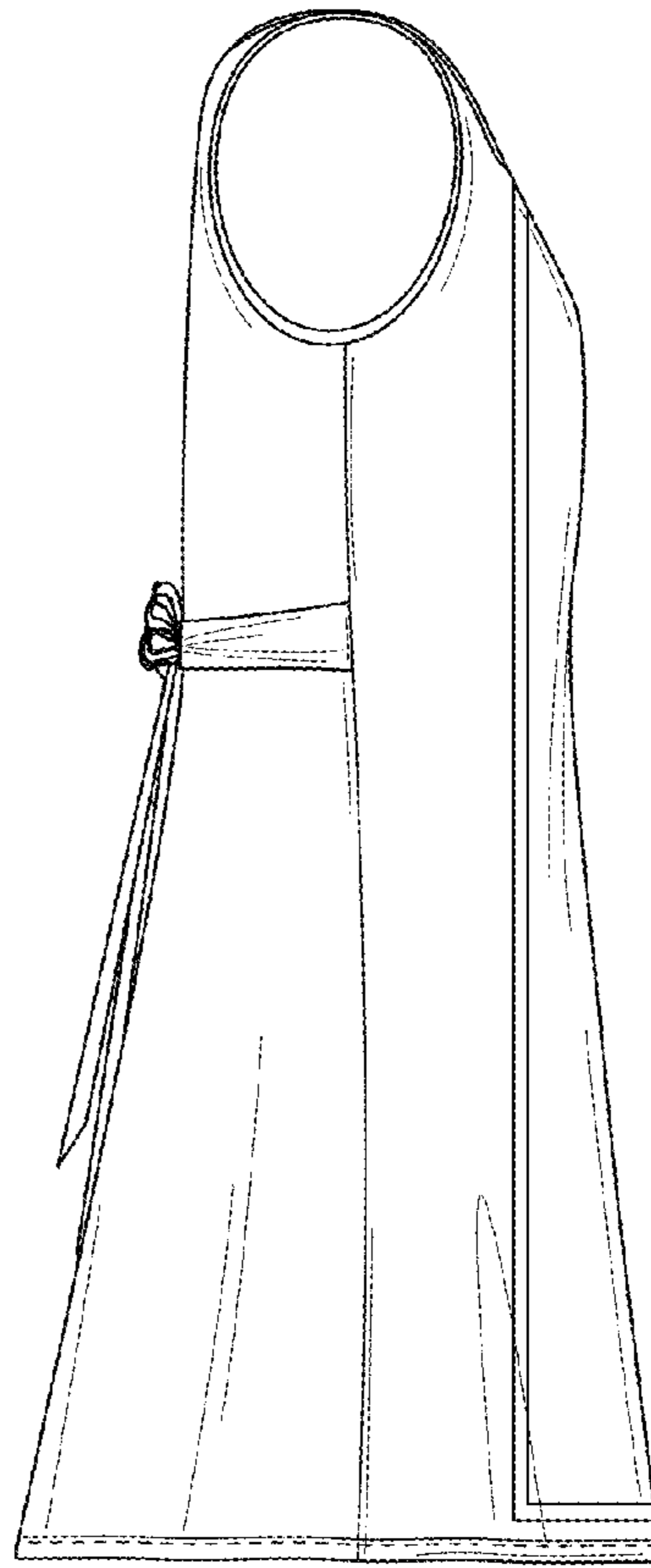


FIG. 11

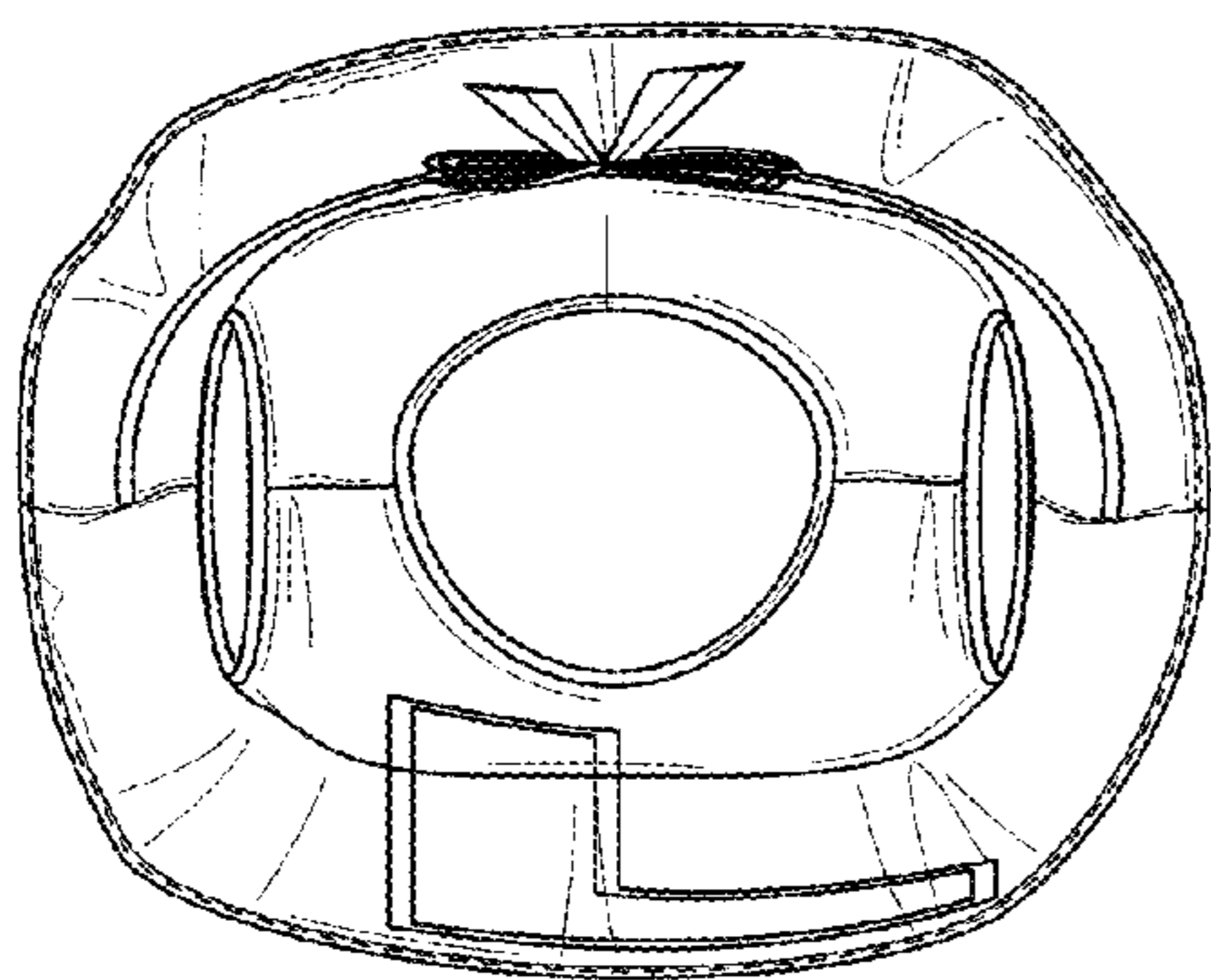


FIG. 12

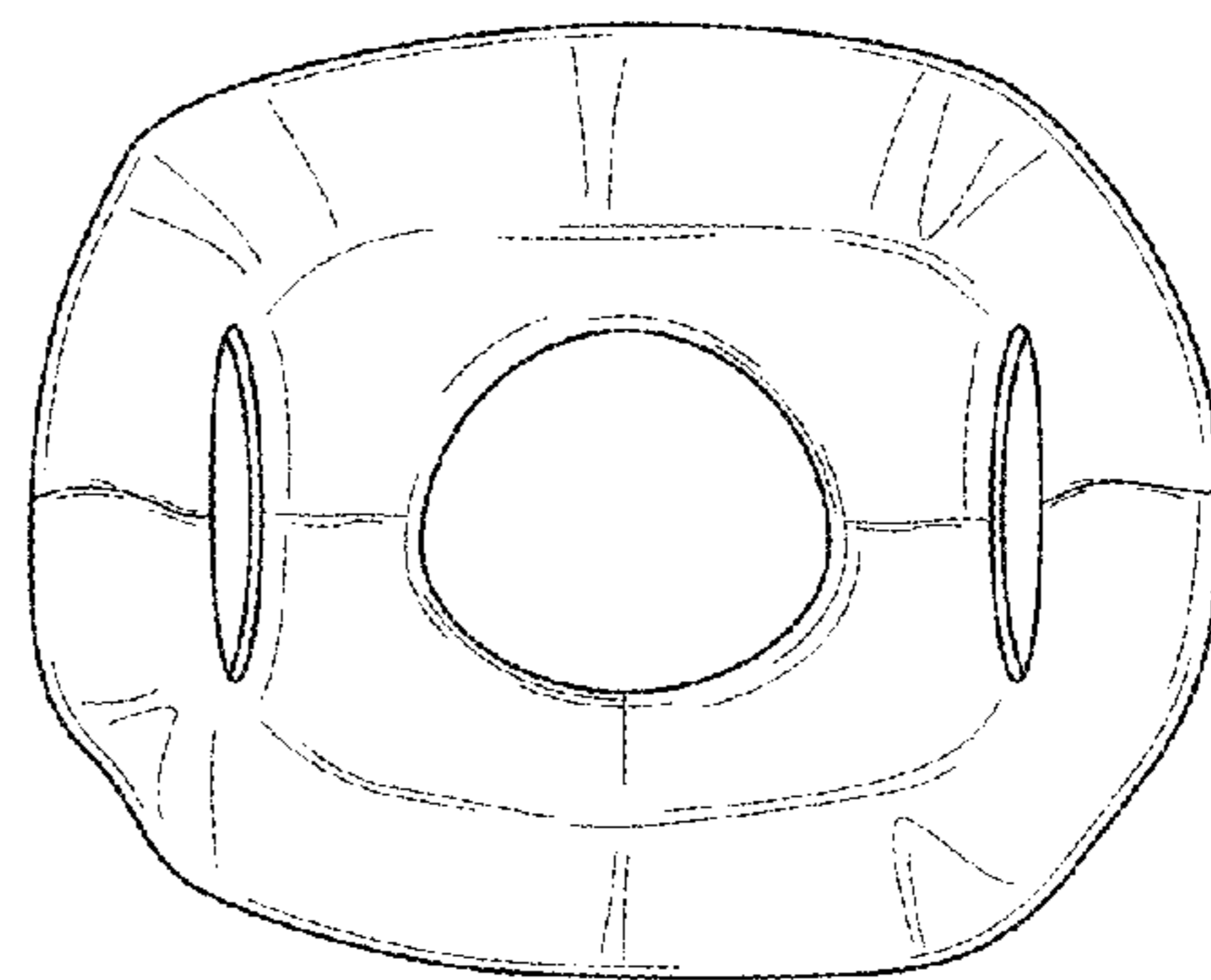


FIG. 13

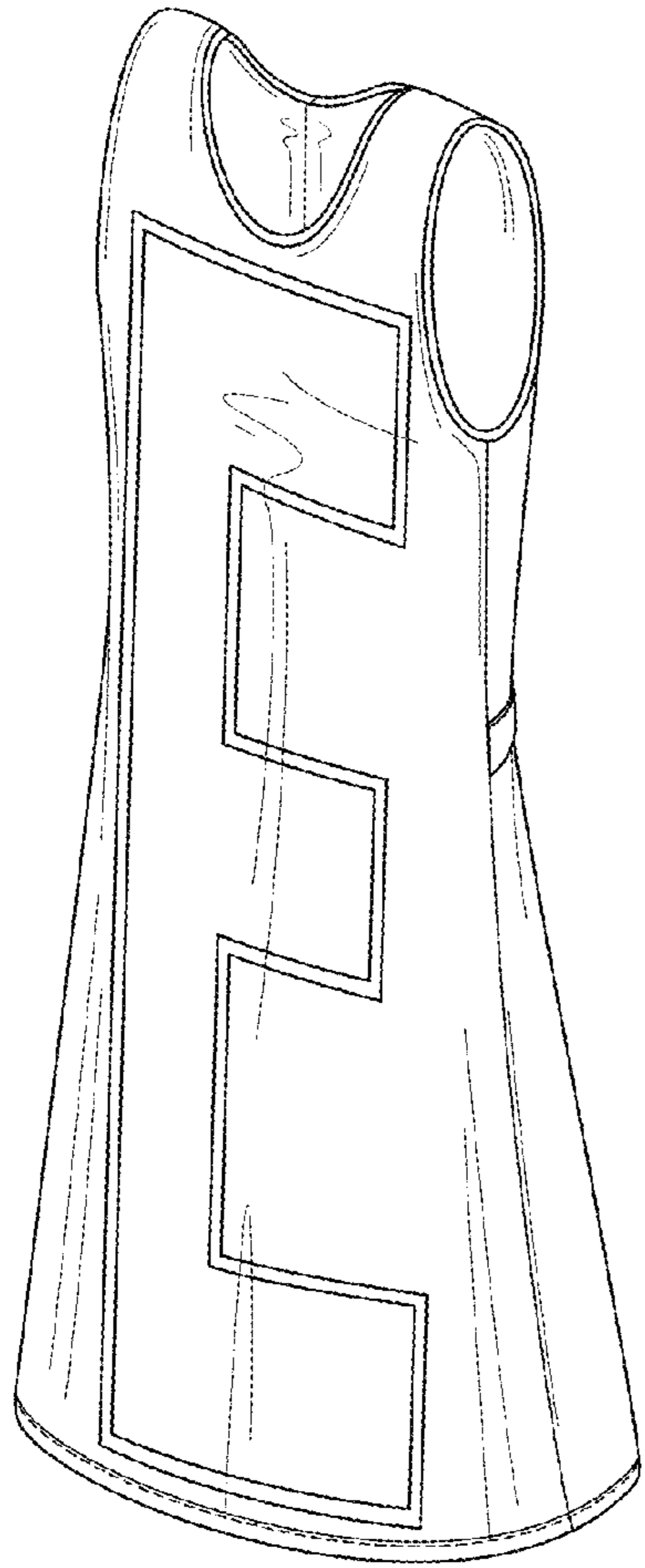


FIG. 14

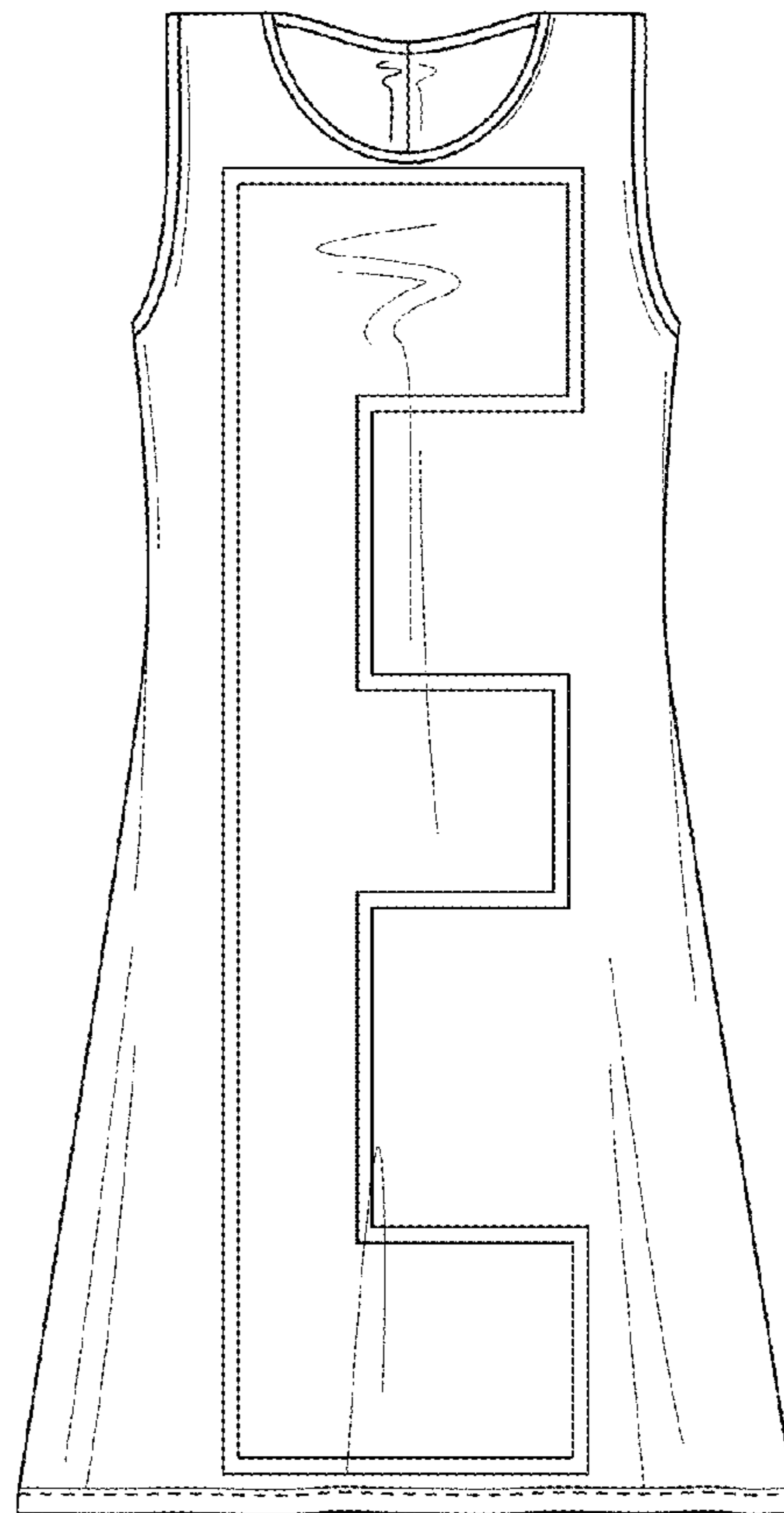


FIG. 15



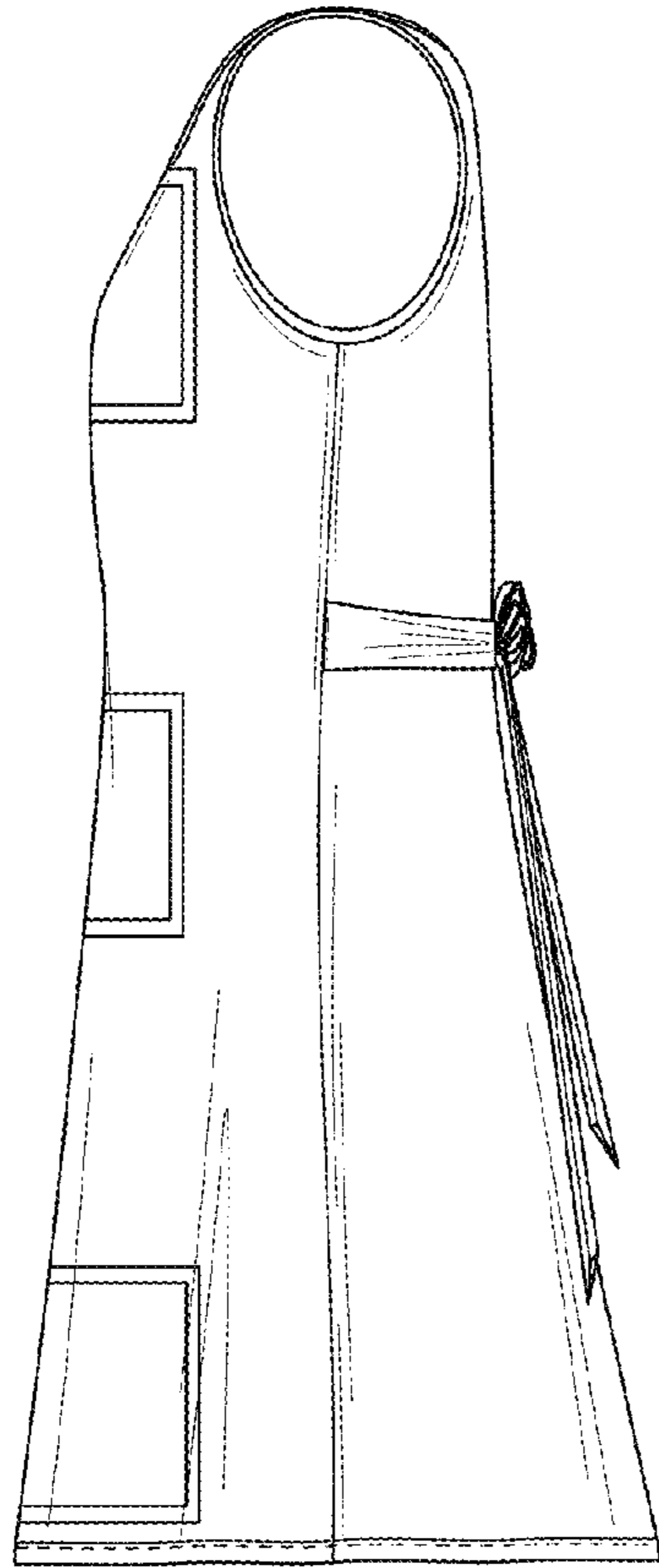


FIG. 16

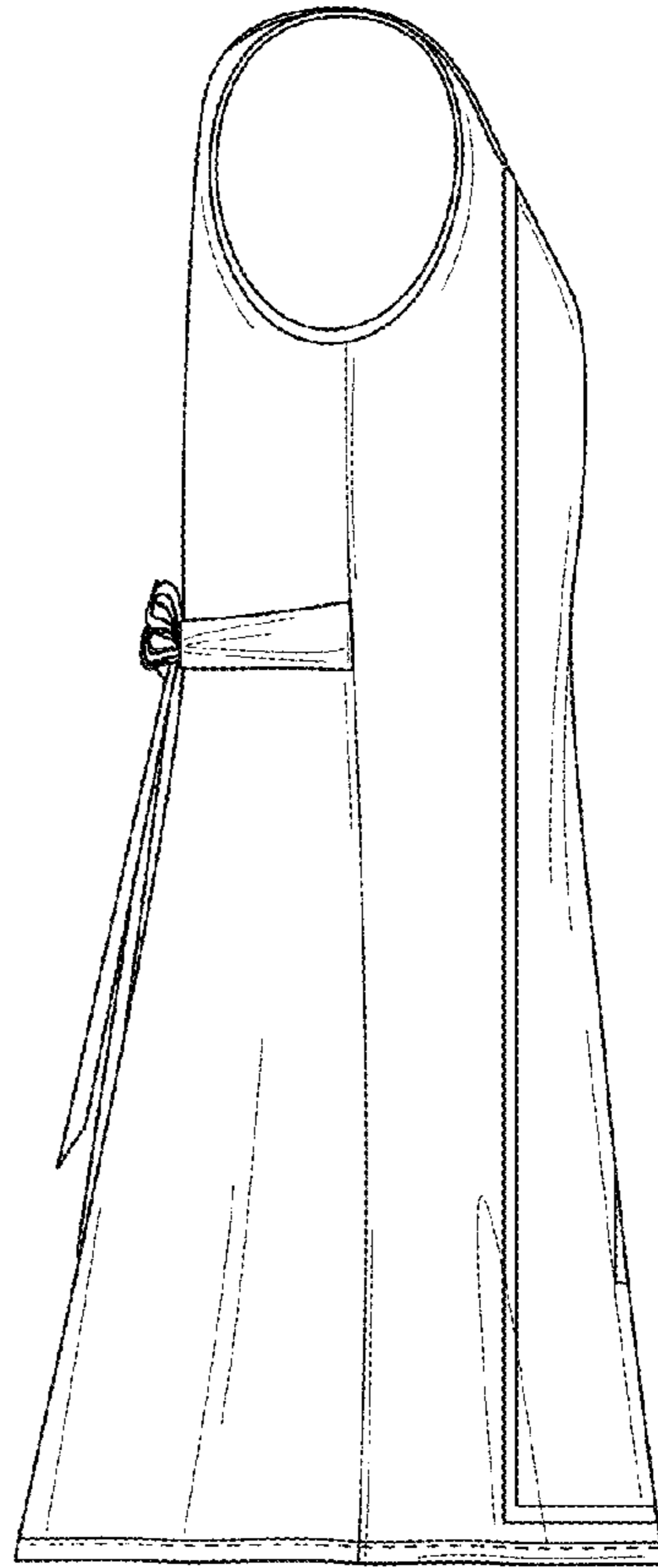


FIG. 17

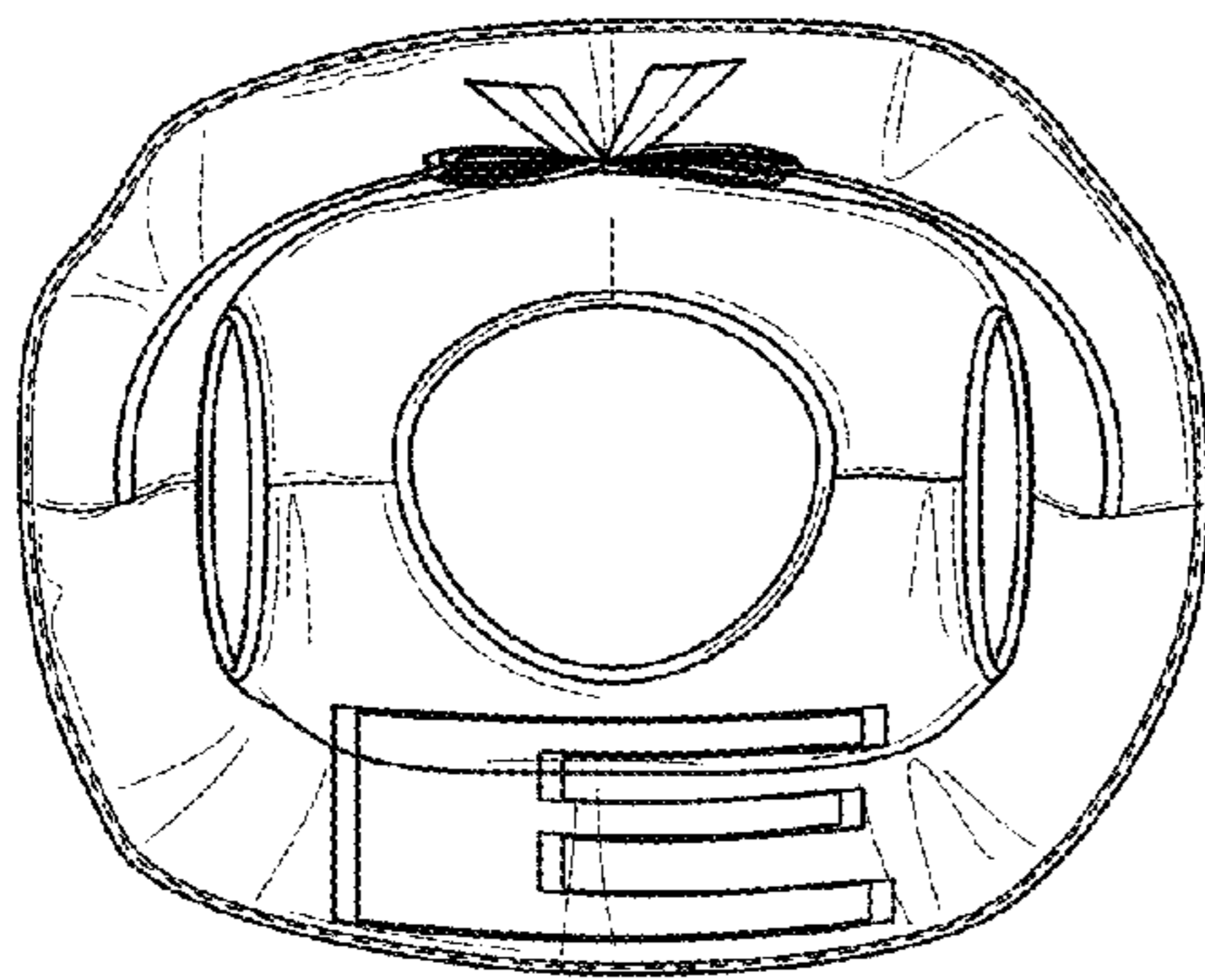


FIG. 18

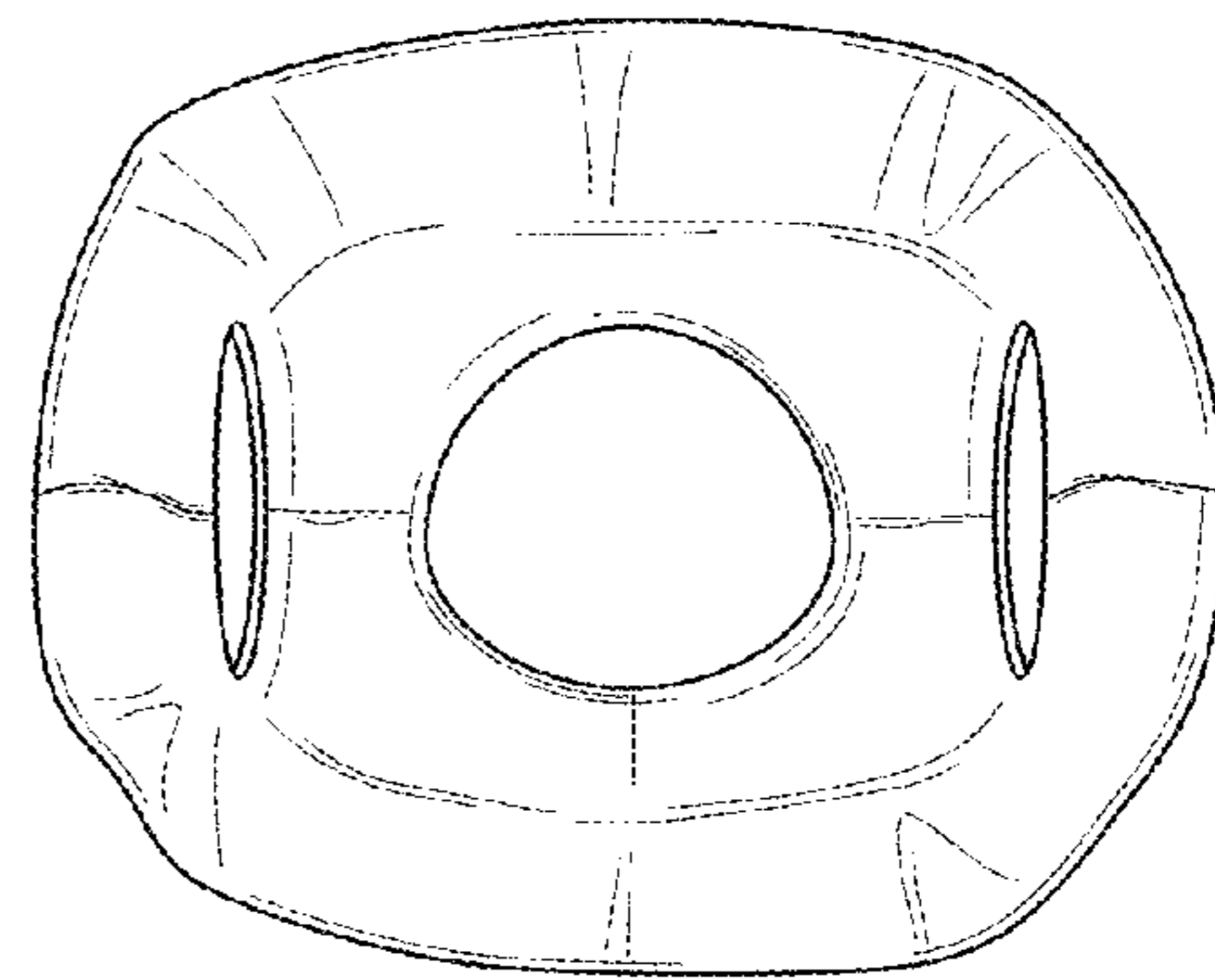


FIG. 19

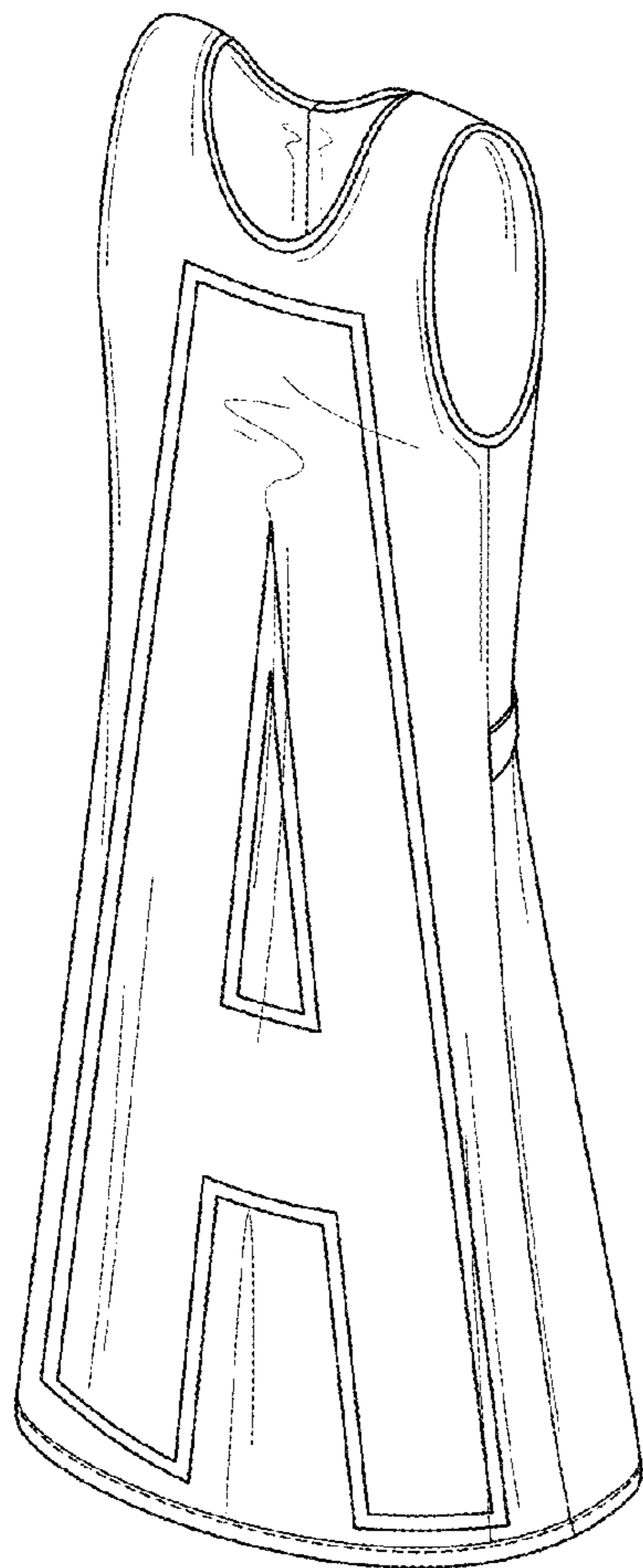


FIG. 20

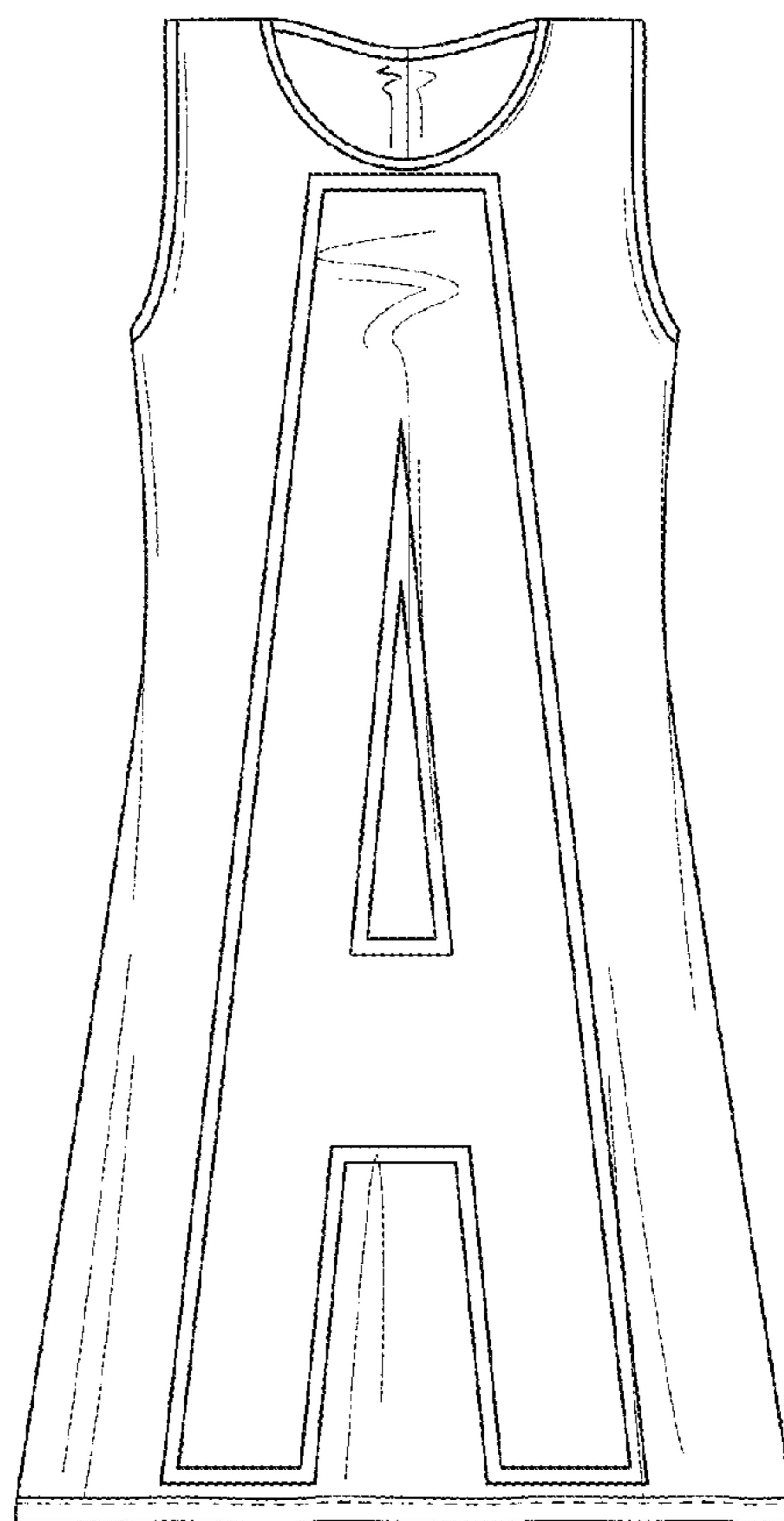


FIG. 21

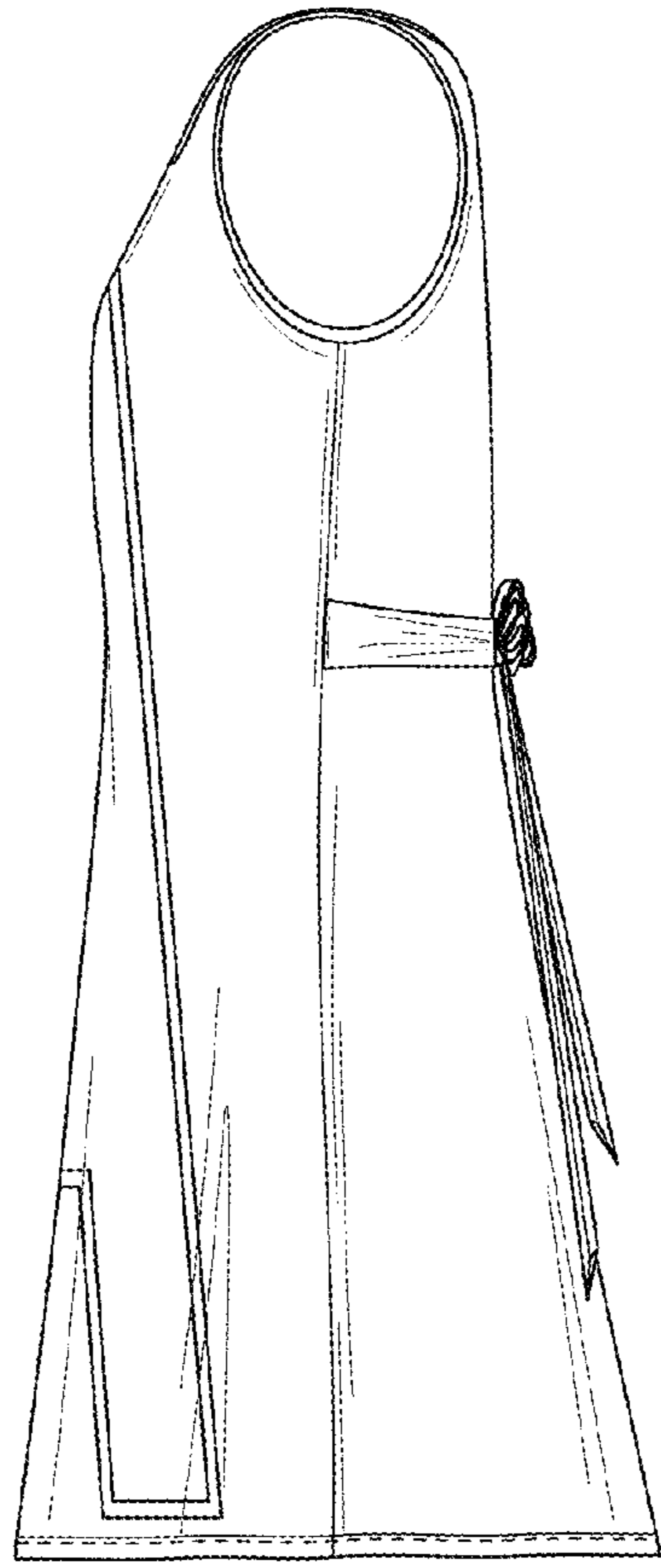


FIG. 22

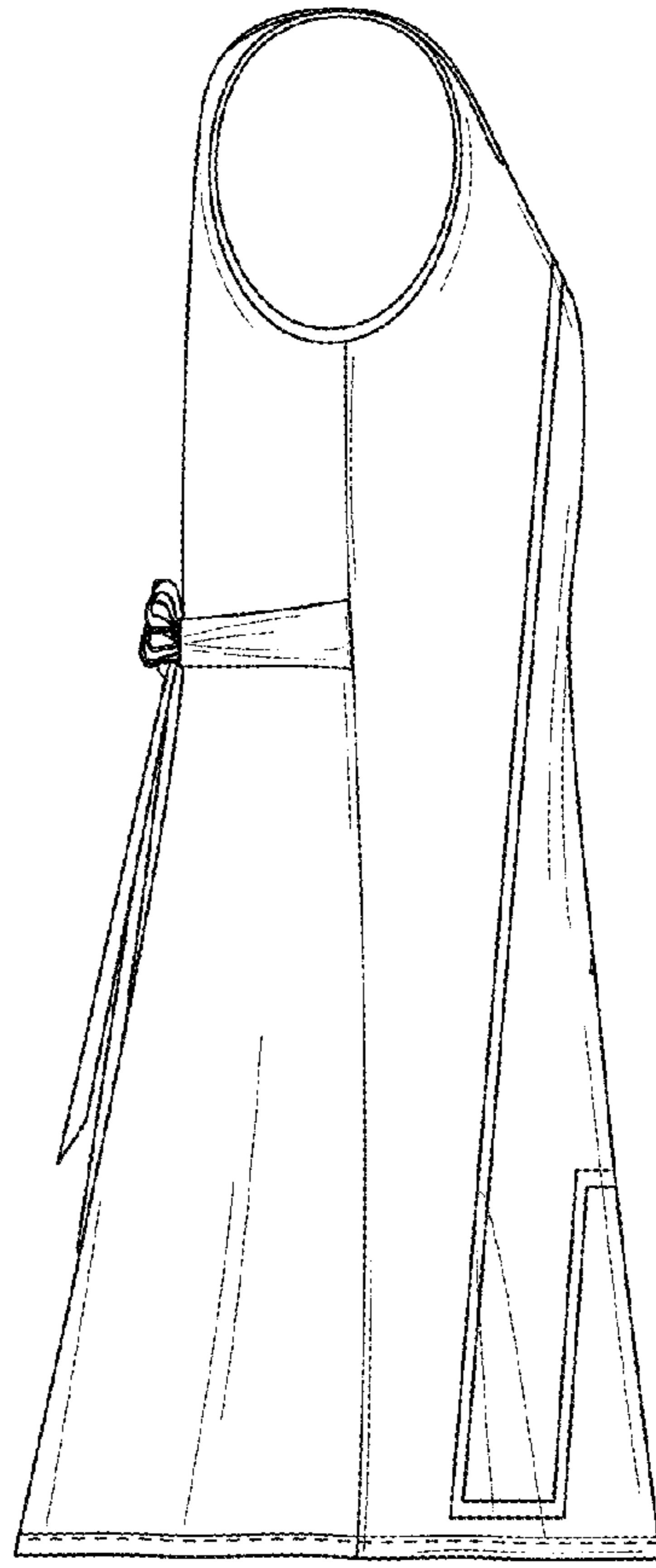


FIG. 23

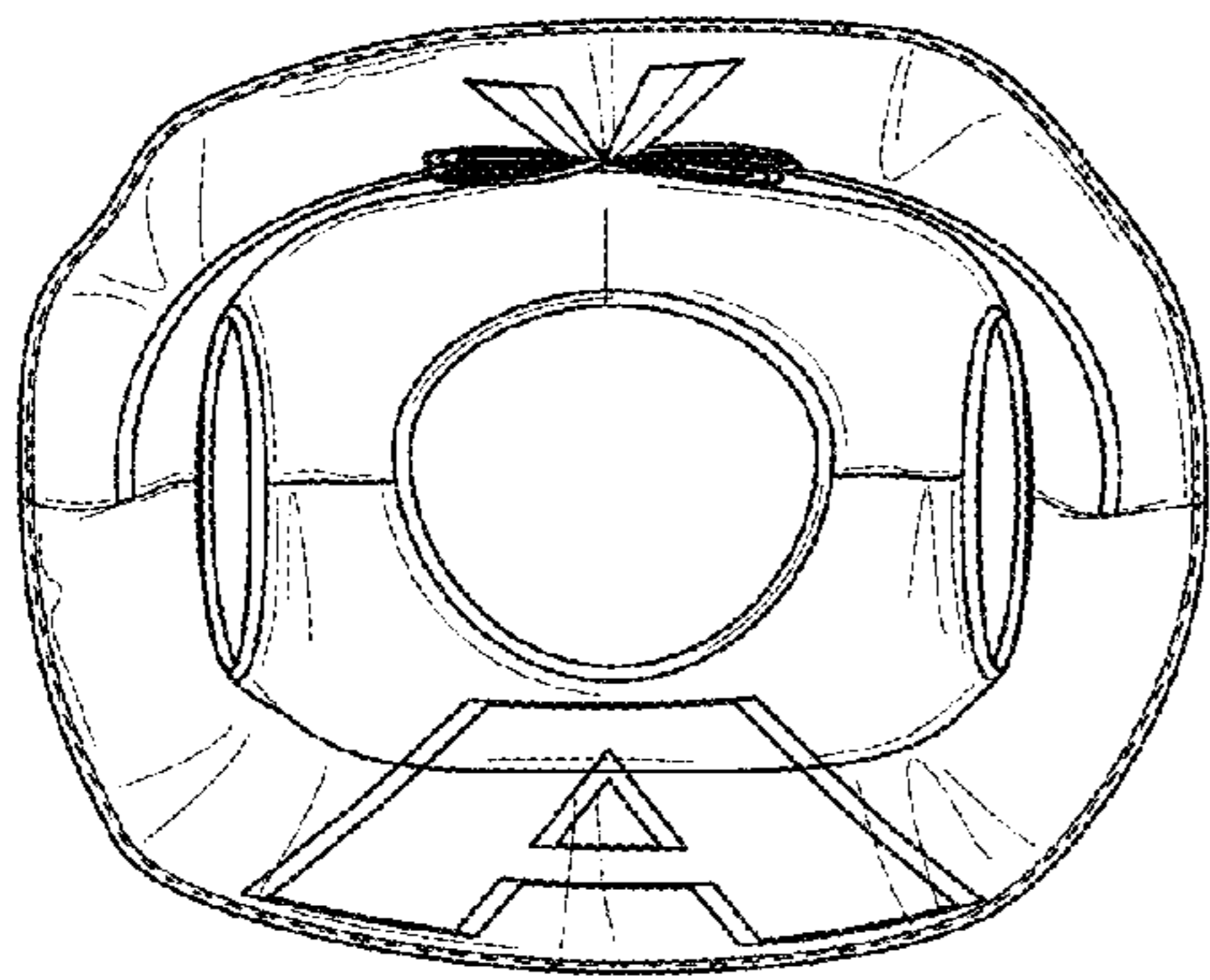


FIG. 24

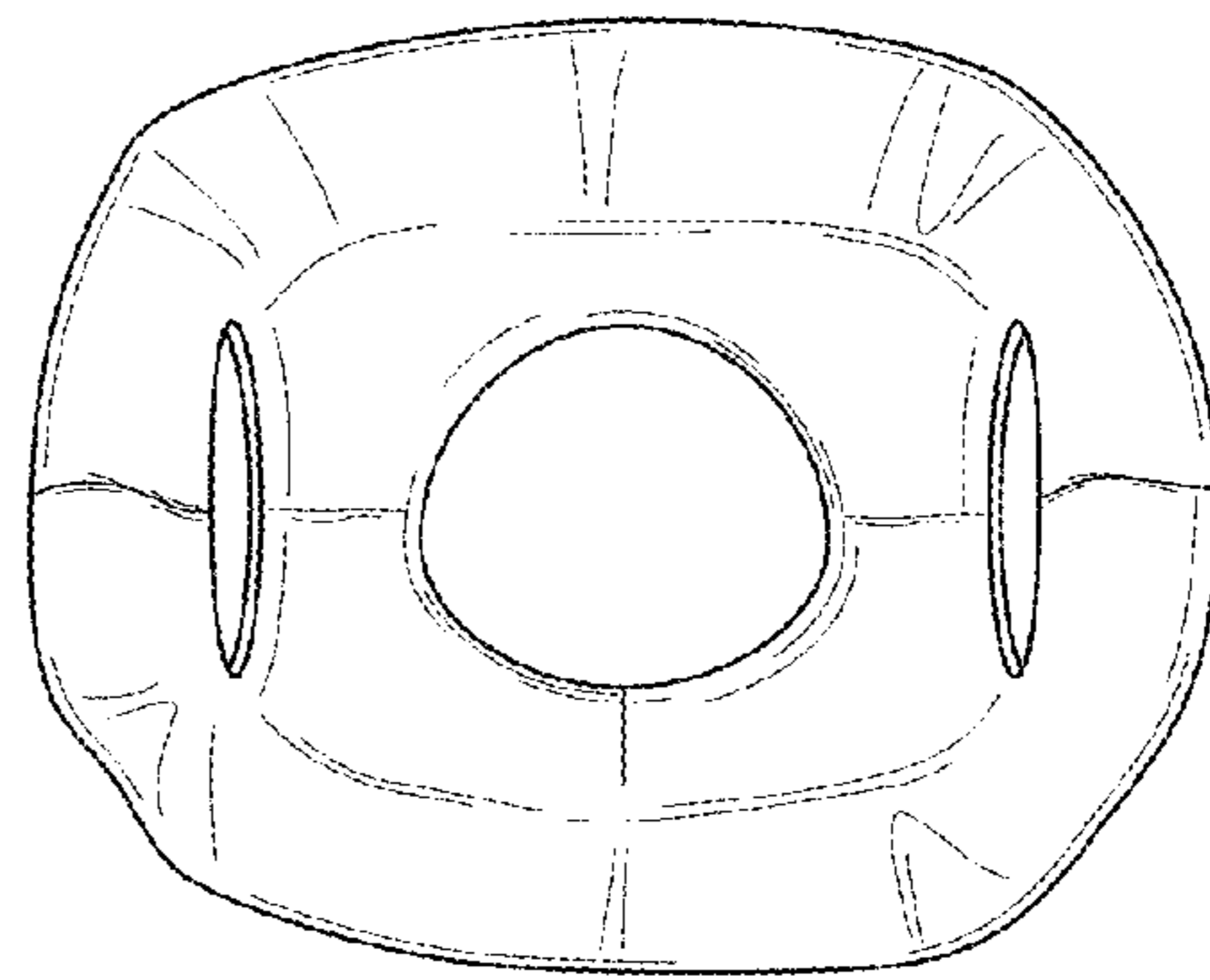


FIG. 25

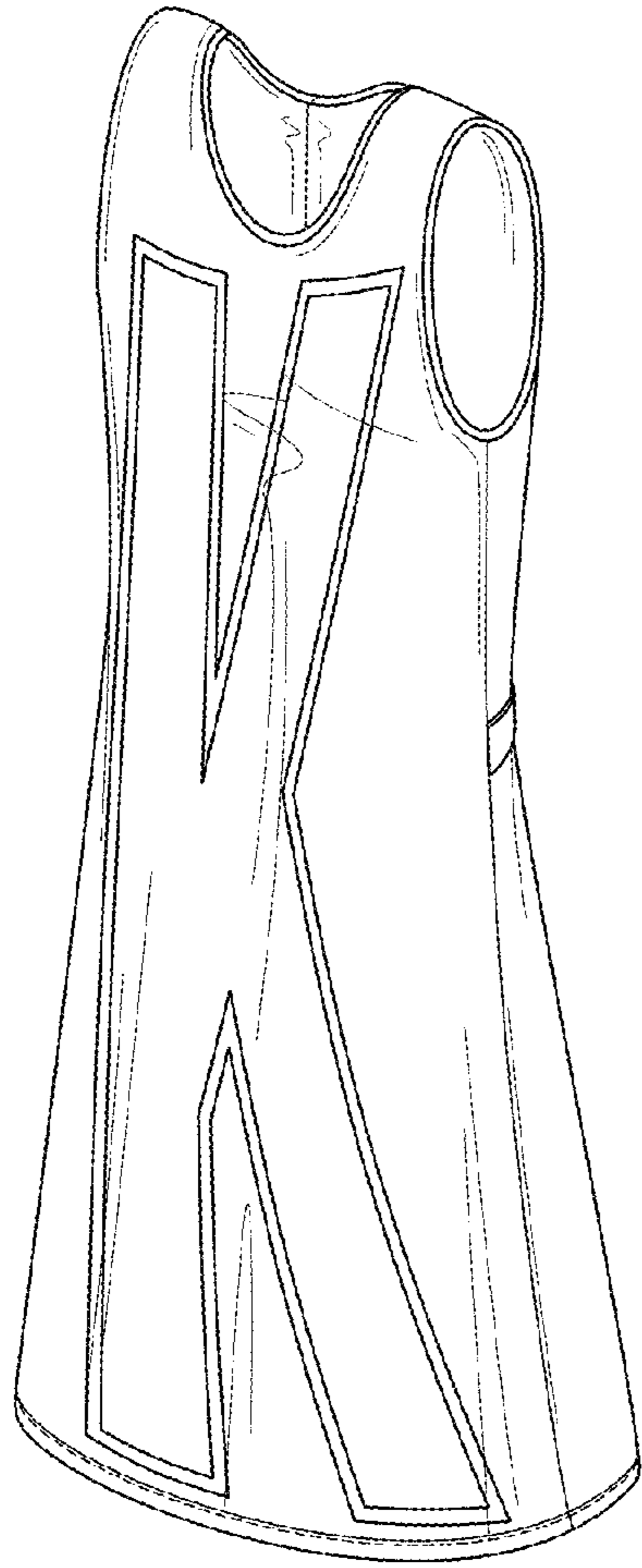


FIG. 26

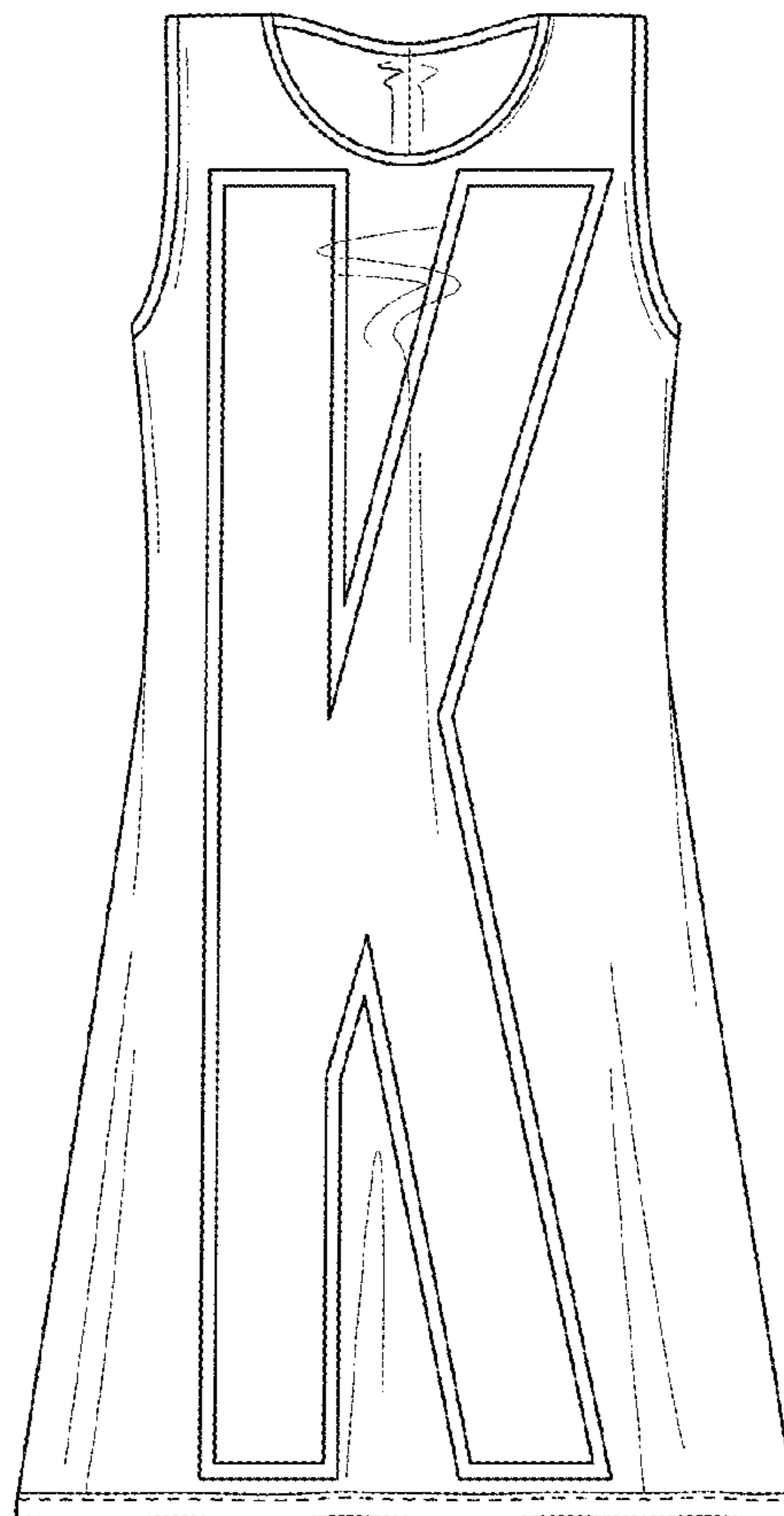


FIG. 27

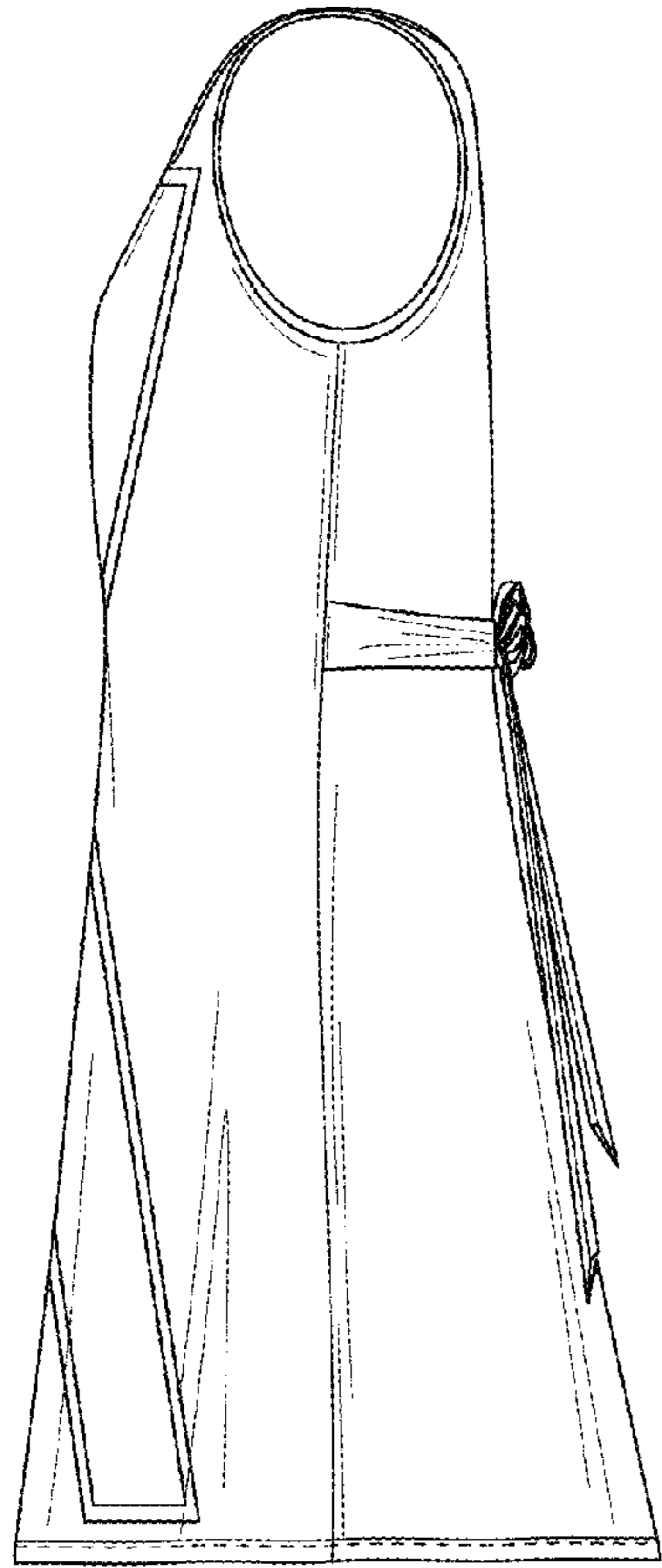


FIG. 28

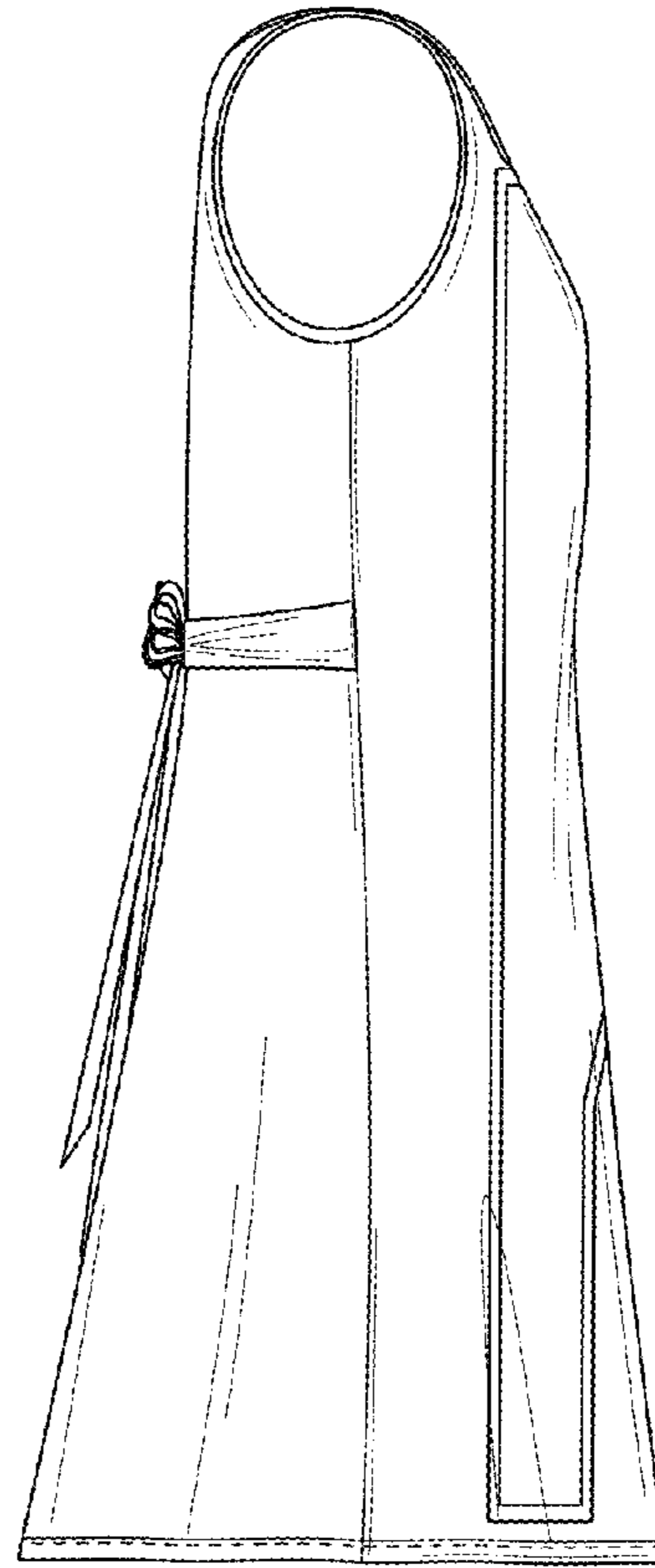


FIG. 29

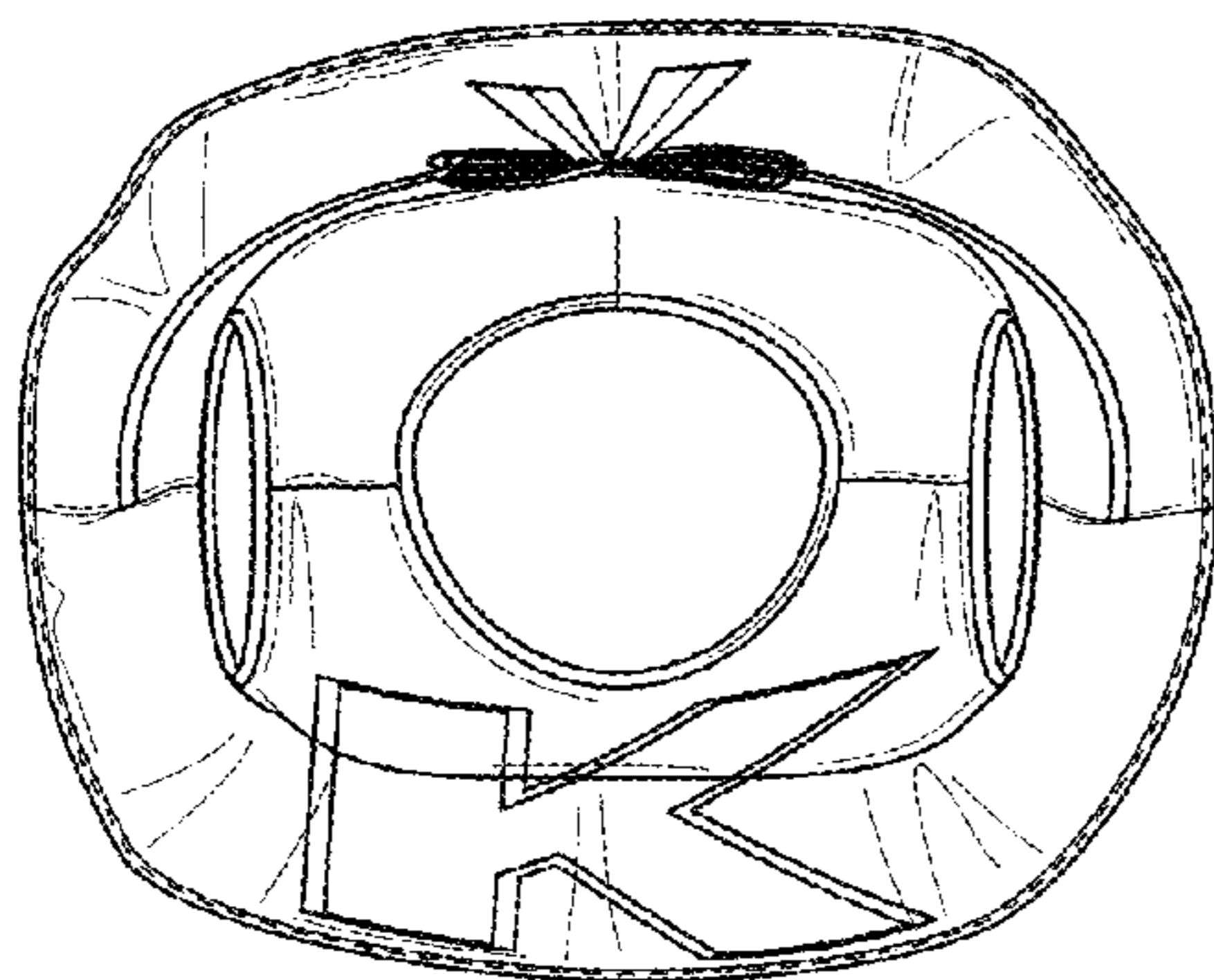


FIG. 30

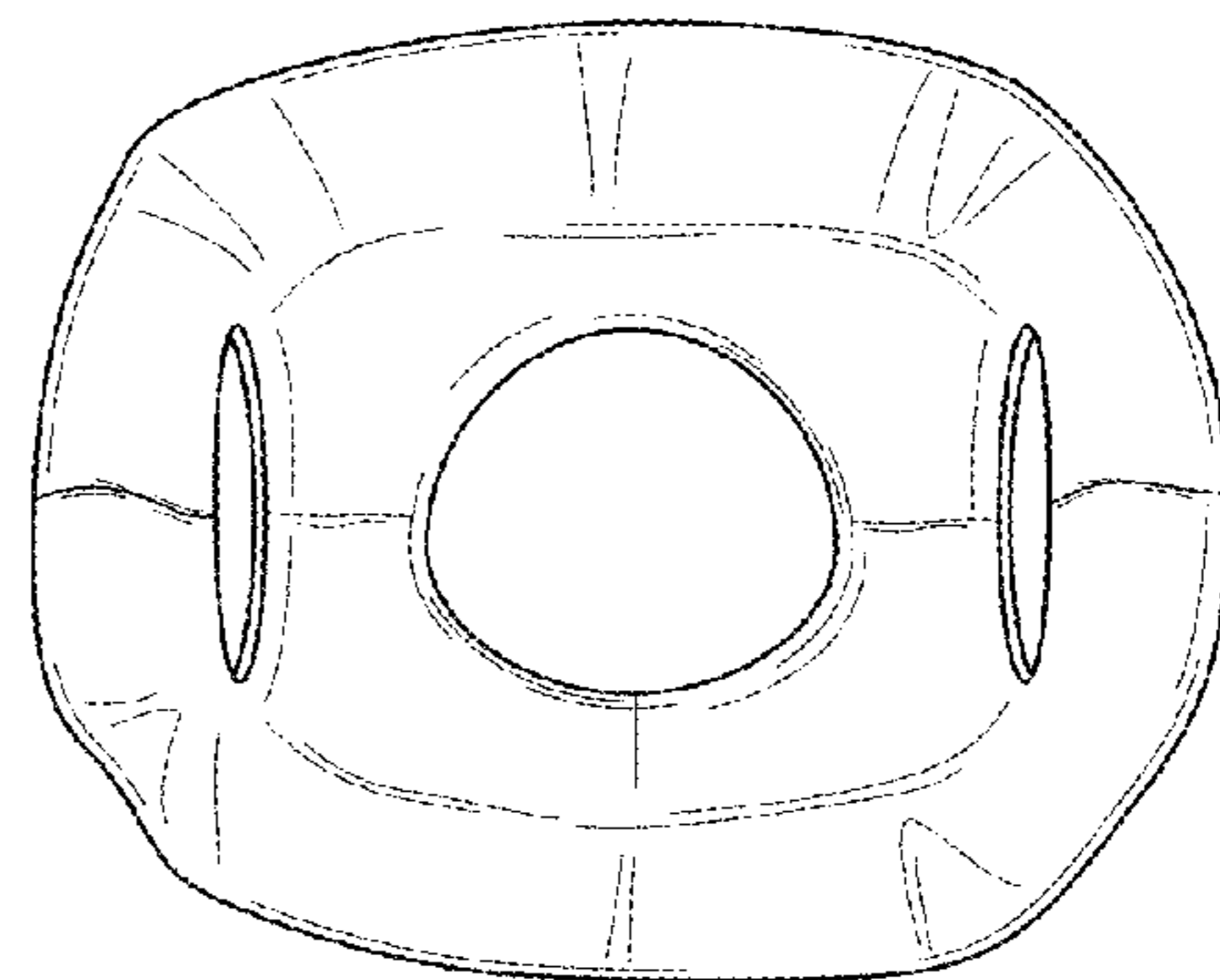


FIG. 31



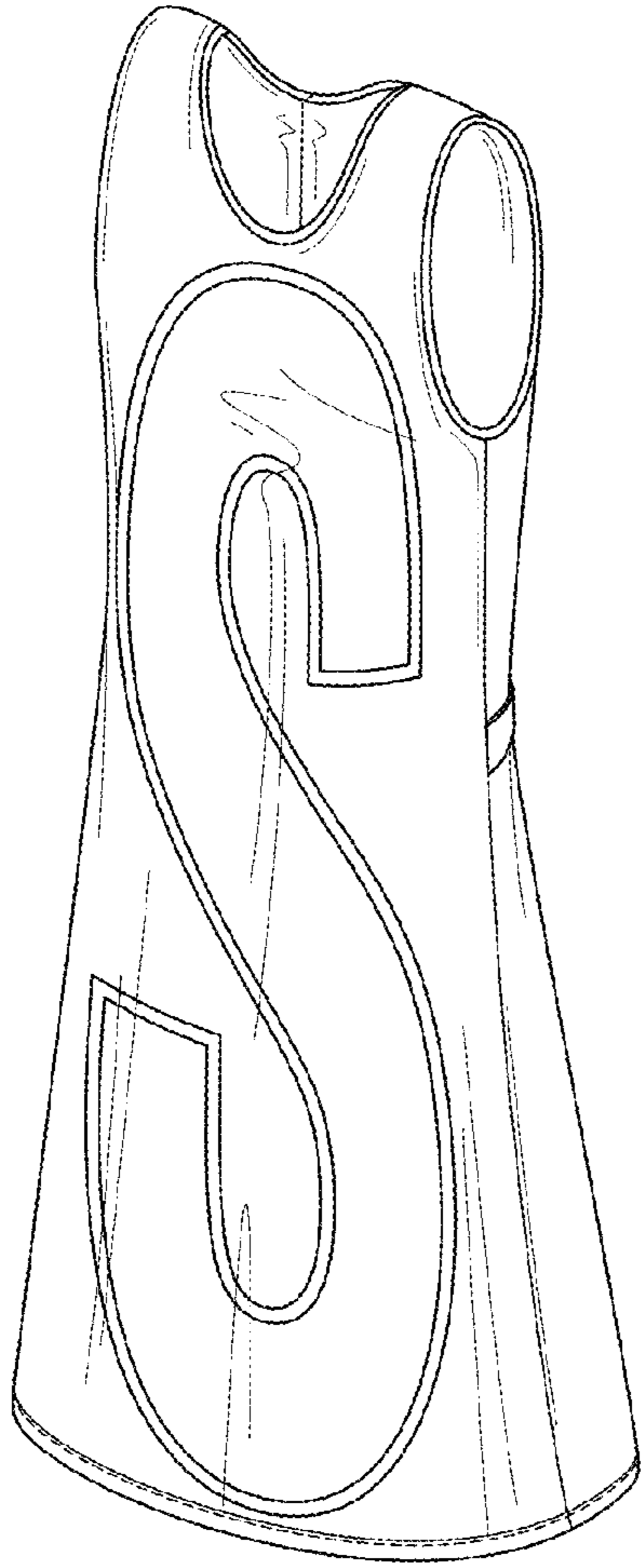


FIG. 32

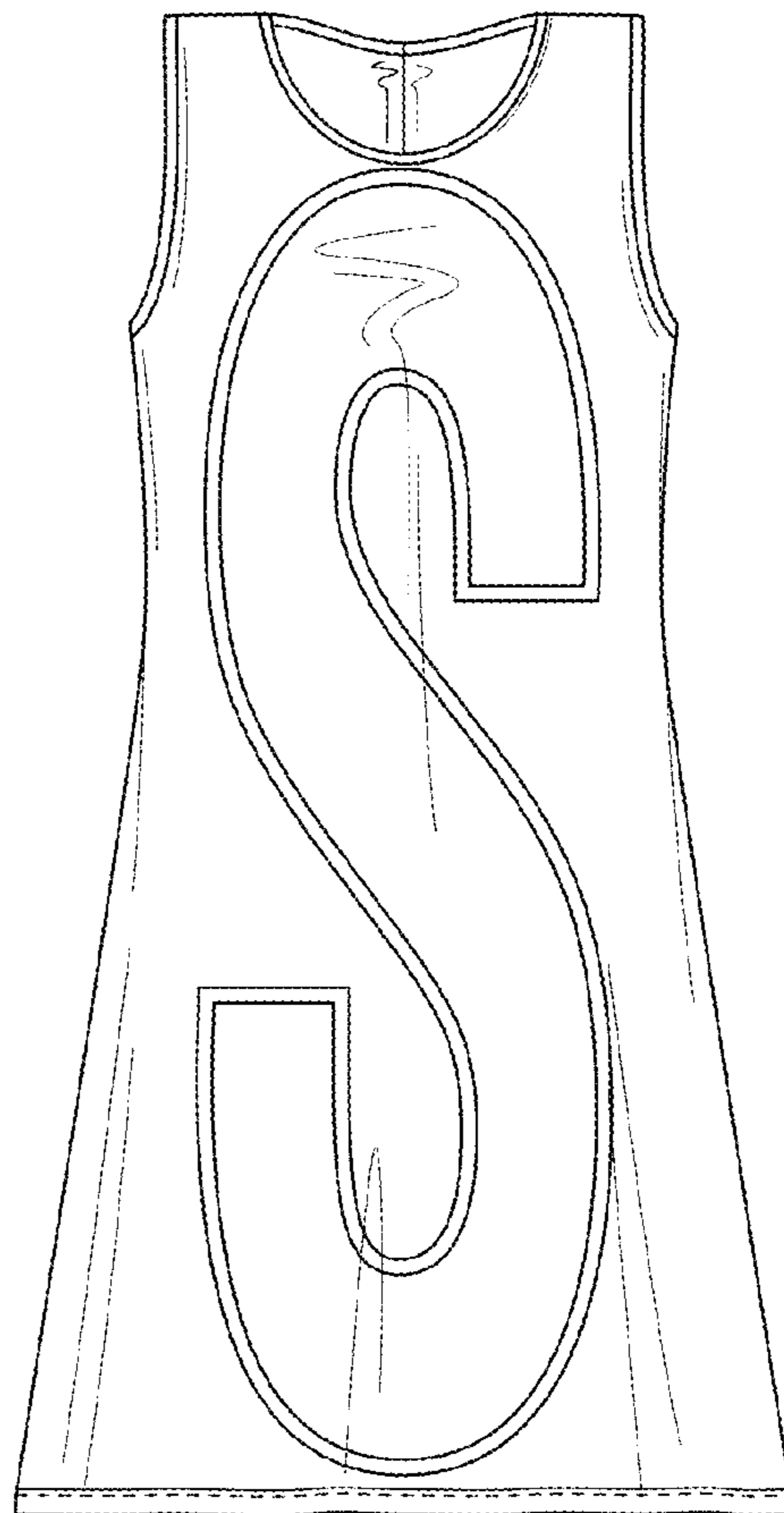


FIG. 33

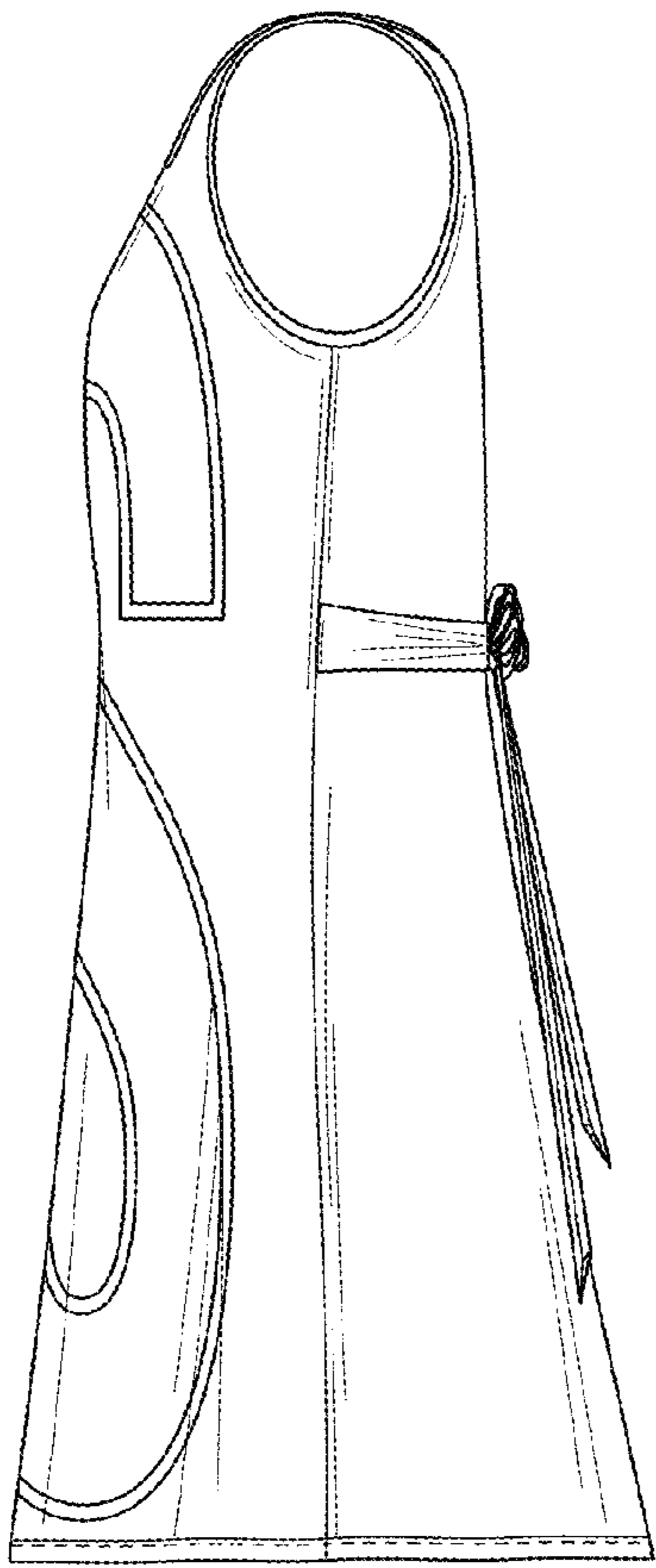


FIG. 34

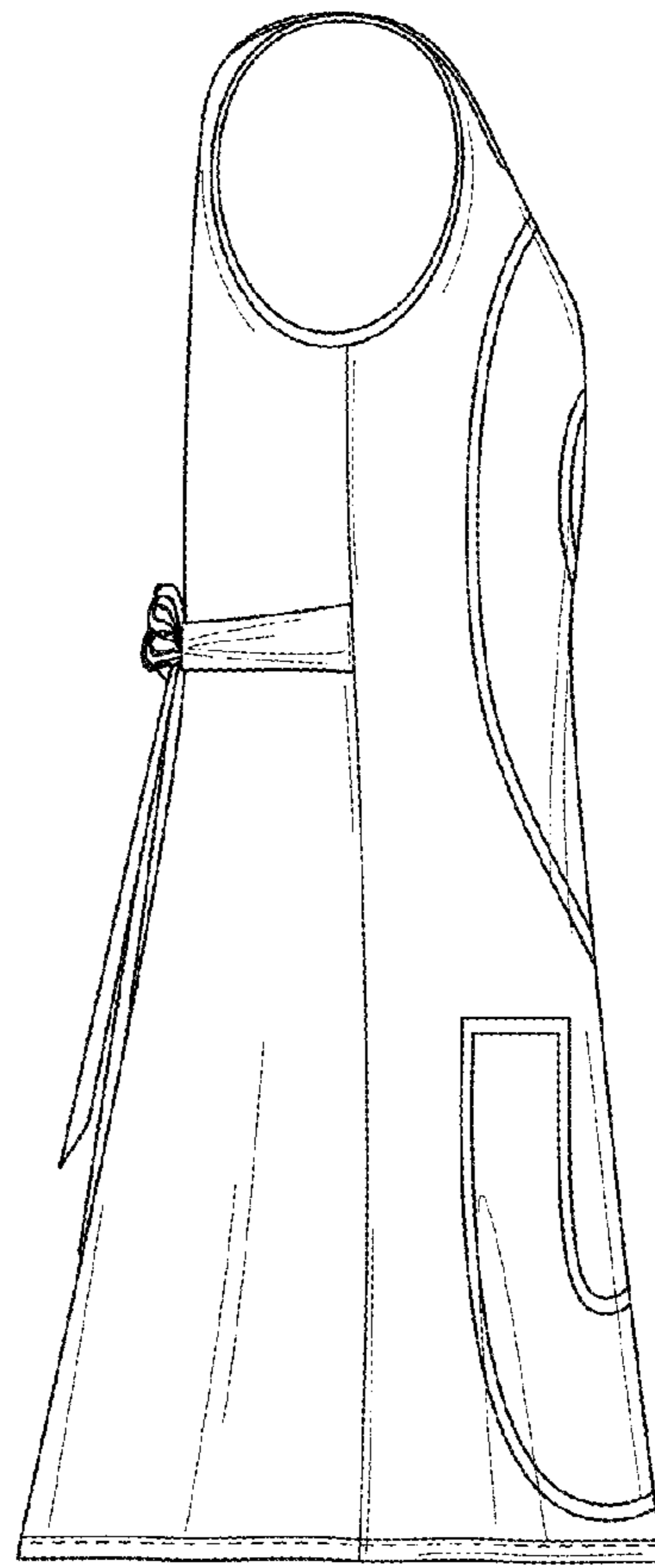


FIG. 35

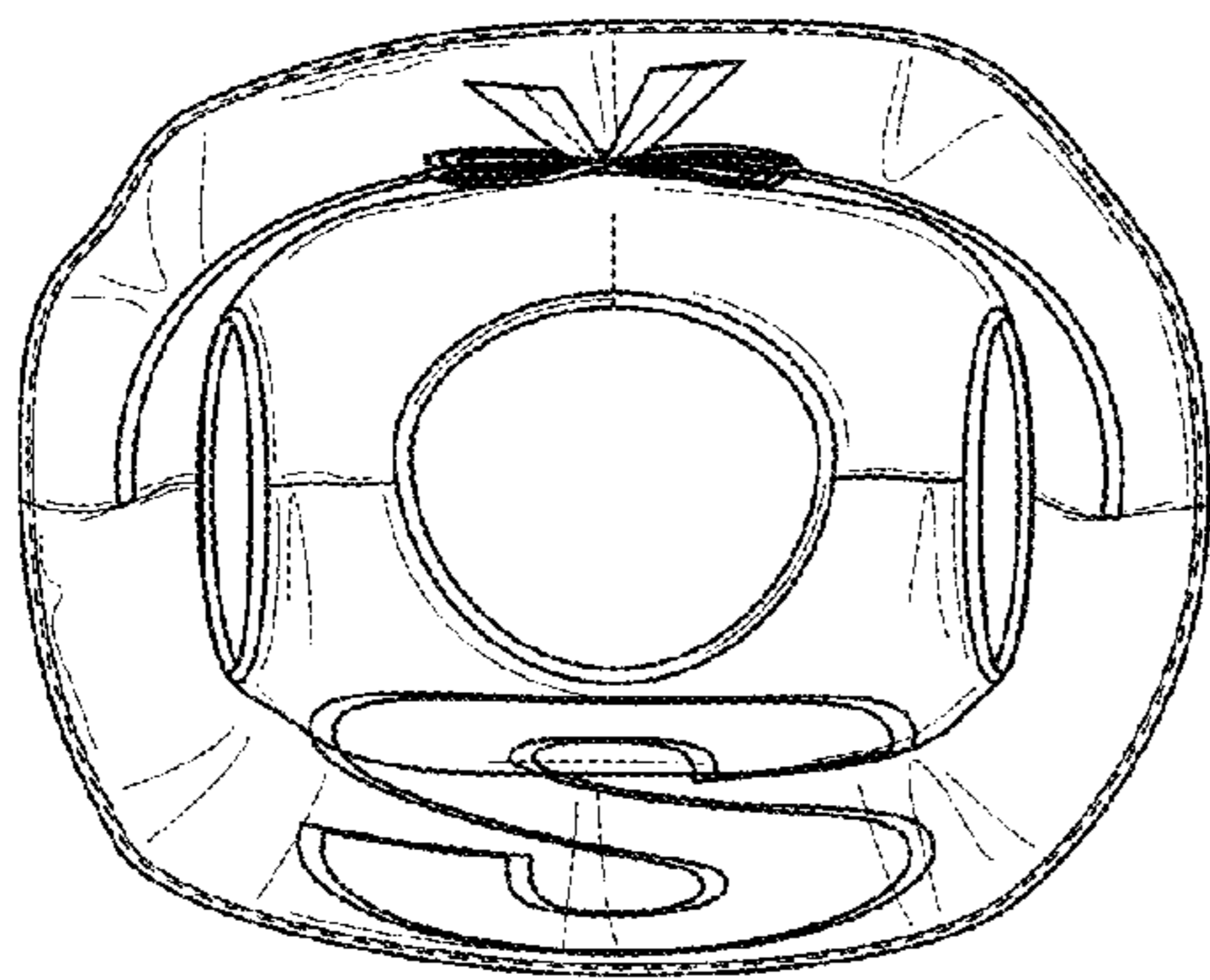


FIG. 36

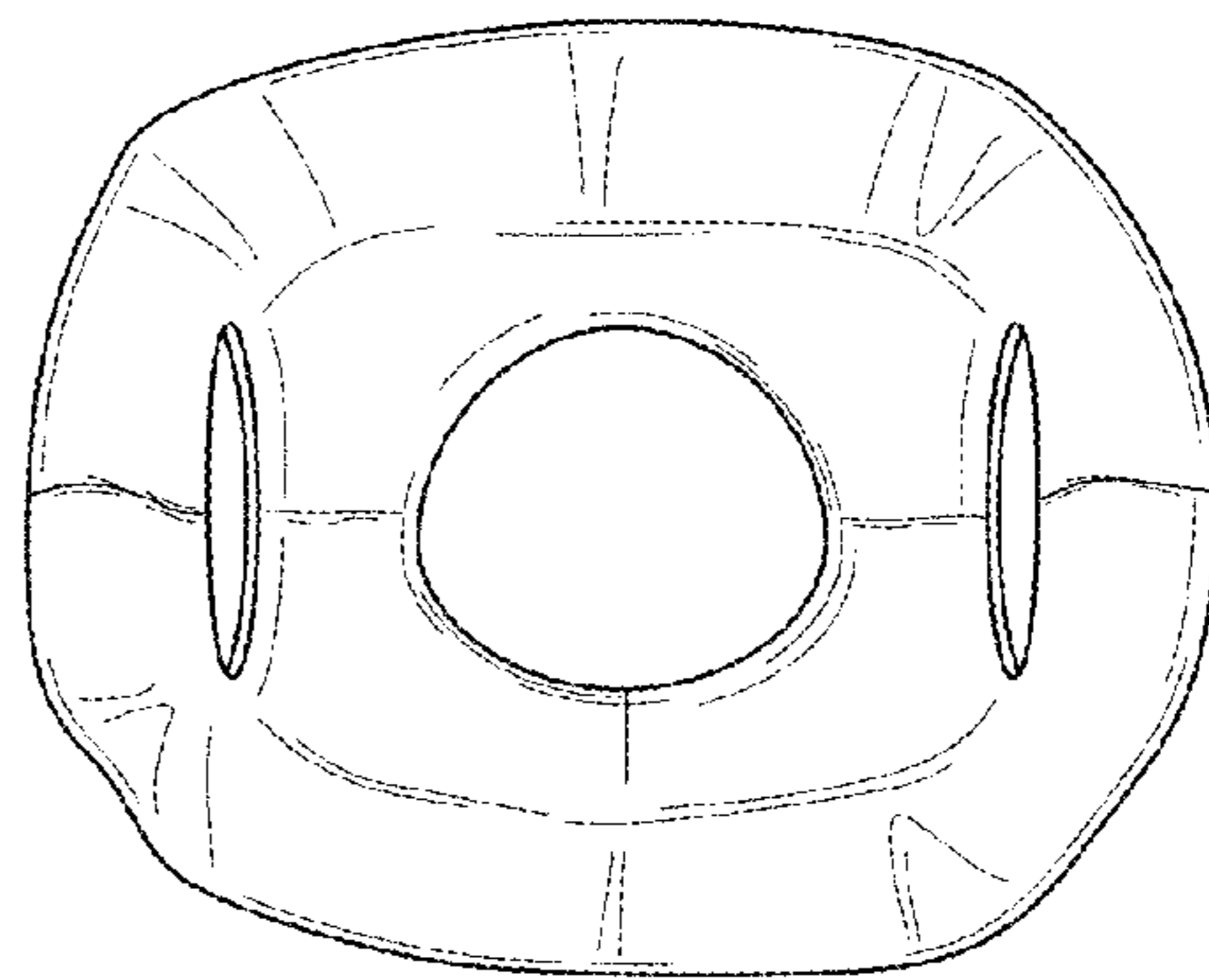


FIG. 37