

US00D733993S

(12) **United States Design Patent**
Sutaria et al.

(10) **Patent No.:** **US D733,993 S**
(45) **Date of Patent:** **** Jul. 14, 2015**

(54) **CONFECTIONARY**

(75) Inventors: **Devang Sutaria**, Landing, NJ (US);
Juan Salinas, West Orange, NJ (US)

(73) Assignee: **INTERCONTINENTAL GREAT BRANDS LLC**, East Hanover, NJ (US)

(**) Term: **14 Years**

(21) Appl. No.: **29/422,736**

(22) Filed: **May 23, 2012**

Related U.S. Application Data

(63) Continuation-in-part of application No. 29/407,684, filed on Dec. 1, 2011, now abandoned.

(51) **LOC (10) Cl.** **01-01**

(52) **U.S. Cl.**
USPC **D1/127**

(58) **Field of Classification Search**
USPC D1/100-130, 199; 426/87, 89, 94, 95, 426/128, 144, 383, 543, 275, 282; D32/40, D32/43; D6/601, 599; D3/271.1; D30/160; D21/635; 119/709, 710
See application file for complete search history.

(56) **References Cited**

U.S. PATENT DOCUMENTS

1,524,146	A *	1/1925	Murray	52/302.4
2,093,341	A *	9/1937	Reiche	446/104
2,132,647	A *	10/1938	Robins	446/94
2,246,770	A *	6/1941	Wessel	426/87
2,493,435	A *	1/1950	Arehambault	446/122
3,005,131	A *	10/1961	Melcher et al.	361/735
3,235,975	A *	2/1966	Pierson	434/189
3,281,510	A *	10/1966	Lovret	264/46.2
3,538,240	A *	11/1970	Sherlock	174/88 R
3,766,667	A *	10/1973	Glassman	434/195
3,766,699	A *	10/1973	Dinkel	52/591.4
D271,534	S *	11/1983	Huzinec	D1/127
D276,926	S *	12/1984	Petersson	D21/501
4,582,495	A *	4/1986	Orgass et al.	446/102
4,602,908	A *	7/1986	Kroeber	446/128
4,719,738	A *	1/1988	Lee	52/607

D304,385	S *	11/1989	Spiel et al.	D1/106
D305,950	S *	2/1990	Spiel et al.	D1/106
D325,942	S *	5/1992	Hoyer	D21/491
5,471,808	A *	12/1995	De Pieri et al.	52/603
D384,993	S *	10/1997	Rasmussen et al.	D21/491
6,571,525	B2 *	6/2003	Coleman	52/592.5
6,582,744	B1 *	6/2003	Babacan	426/513
D497,182	S *	10/2004	McCartney	D19/59
6,996,945	B2 *	2/2006	Doty	52/585.1
7,191,571	B2 *	3/2007	Schools et al.	52/607
D594,742	S *	6/2009	Meier et al.	D9/432
D605,768	S *	12/2009	Zhukauskas et al.	D24/155
D614,349	S *	4/2010	Long	D28/8.1
D614,707	S *	4/2010	Ryaa	D21/501
D629,920	S *	12/2010	Tezak et al.	D25/114
D632,946	S *	2/2011	Hartgens	D8/339
D644,000	S *	8/2011	Bruyea et al.	D1/127
D644,001	S *	8/2011	Bruyea et al.	D1/127
D647,277	S *	10/2011	Bruyea et al.	D1/127
8,211,488	B2 *	7/2012	Merkle et al.	426/614
D665,514	S *	8/2012	MacDonald	D25/113
D665,515	S *	8/2012	MacDonald	D25/113
8,297,012	B2 *	10/2012	Nunez-Vargas	52/223.7
D674,032	S *	1/2013	Howard, II	D21/698
2007/0086912	A1 *	4/2007	Dowling et al.	422/1
2013/0171295	A1 *	7/2013	Marshall et al.	426/5

* cited by examiner

OTHER PUBLICATIONS

Guedes, R. M. and C.M.L. Tavares, A.J.M. Ferreira. "Experimental and theoretical study of the creep behavior of GFRP-reinforced polymer concrete". Composites Science and Technology Jan. 17, 2004; 1251-1258. Science Direct. Web. Sep. 18, 2013.*

Primary Examiner — Deanna L Pratt

Assistant Examiner — Katie Mroczka

(74) *Attorney, Agent, or Firm* — Cantor Colburn LLP

(57) **CLAIM**

We claim, the ornamental design for a confectionary, as shown and described.

DESCRIPTION

FIG. 1 is a perspective view of a confectionary, showing our new design in an exemplary embodiment;

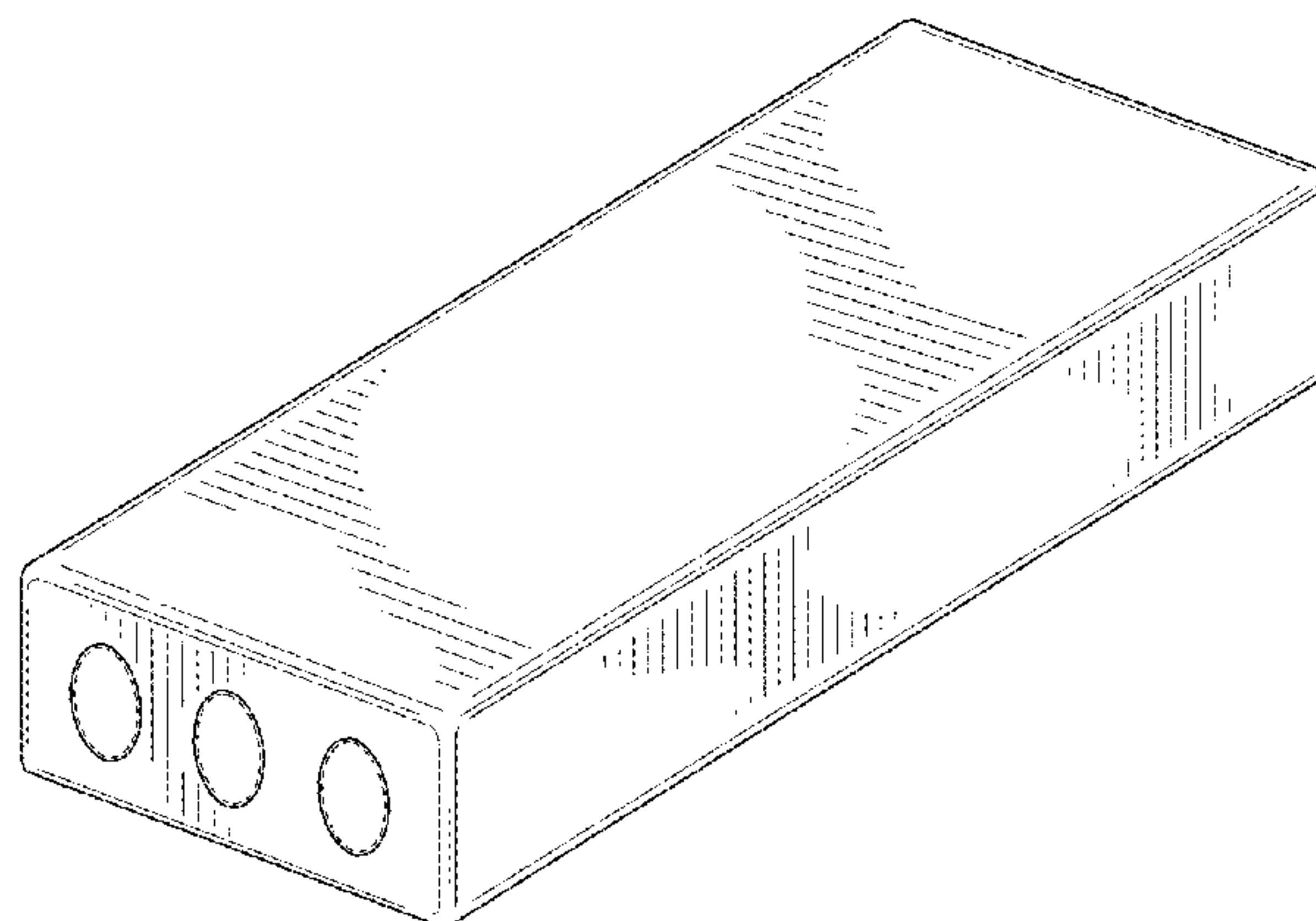
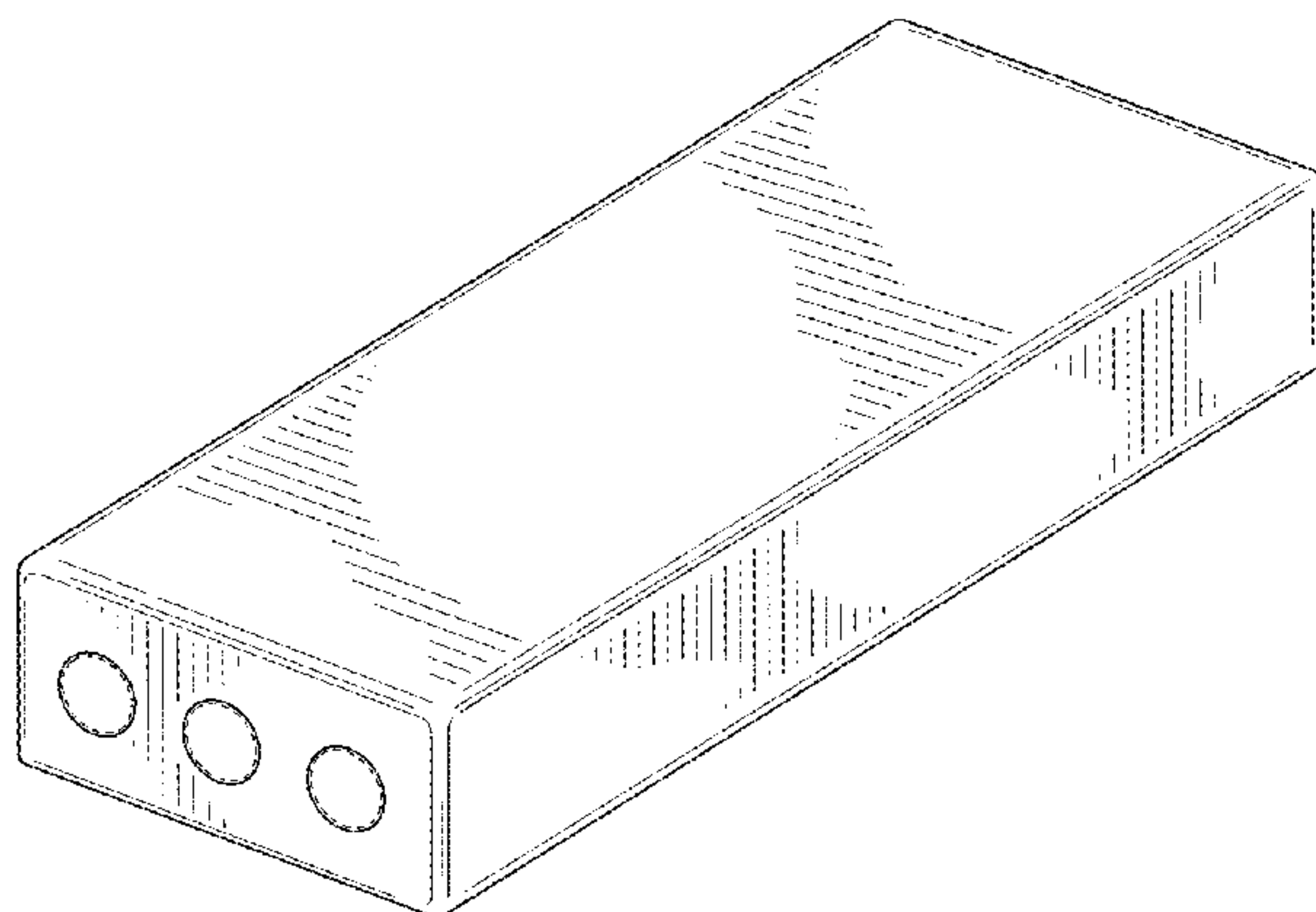


FIG. 2 is a front elevation view of the embodiment shown in FIG. 1;
FIG. 3 is a back elevation view of the embodiment shown in FIG. 1;
FIG. 4 is a top plan view of the embodiment shown in FIG. 1;
FIG. 5 is a side elevation view of the embodiment shown in FIG. 1;
FIG. 6 is a bottom plan view of the embodiment shown in FIG. 1;
FIG. 7 is another side elevation view of the embodiment shown in FIG. 1;
FIG. 8 is a perspective view of a confectionary, showing our new design in an exemplary embodiment;
FIG. 9 is a front elevation view of the embodiment shown in FIG. 8;
FIG. 10 is a back elevation view of the embodiment shown in FIG. 8;
FIG. 11 is a top plan view of the embodiment shown in FIG. 8;
FIG. 12 is a side elevation view of the embodiment shown in FIG. 8;
FIG. 13 is a bottom plan view of the embodiment shown in FIG. 8;
FIG. 14 is another side elevation view of the embodiment shown in FIG. 8;
FIG. 15 is a perspective view of a confectionary, showing our new design in an exemplary embodiment;
FIG. 16 is a front elevation view of the embodiment shown in FIG. 15;
FIG. 17 is a back elevation view of the embodiment shown in FIG. 15;
FIG. 18 is a top plan view of the embodiment shown in FIG. 15;
FIG. 19 is a side elevation view of the embodiment shown in FIG. 15;

FIG. 20 is a bottom plan view of the embodiment shown in FIG. 15;
FIG. 21 is another side elevation view of the embodiment shown in FIG. 15;
FIG. 22 is a perspective view of a confectionary, showing our new design in an exemplary embodiment;
FIG. 23 is a front elevation view of the embodiment shown in FIG. 22;
FIG. 24 is a back elevation view of the embodiment shown in FIG. 22;
FIG. 25 is a top plan view of the embodiment shown in FIG. 22;
FIG. 26 is a side elevation view of the embodiment shown in FIG. 22;
FIG. 27 is a bottom plan view of the embodiment shown in FIG. 22;
FIG. 28 is another side elevation view of the embodiment shown in FIG. 22;
FIG. 29 is a perspective view of a confectionary, showing our new design in an exemplary embodiment;
FIG. 30 is a front elevation view of the embodiment shown in FIG. 29;
FIG. 31 is a back elevation view of the embodiment shown in FIG. 29;
FIG. 32 is a top plan view of the embodiment shown in FIG. 29;
FIG. 33 is a side elevation view of the embodiment shown in FIG. 29;
FIG. 34 is a bottom plan view of the embodiment shown in FIG. 29; and,
FIG. 35 is another side elevation view of the embodiment shown in FIG. 29.
The broken lines shown in the Drawings represent portions of the confectionary that form no part of the claimed design.

1 Claim, 10 Drawing Sheets

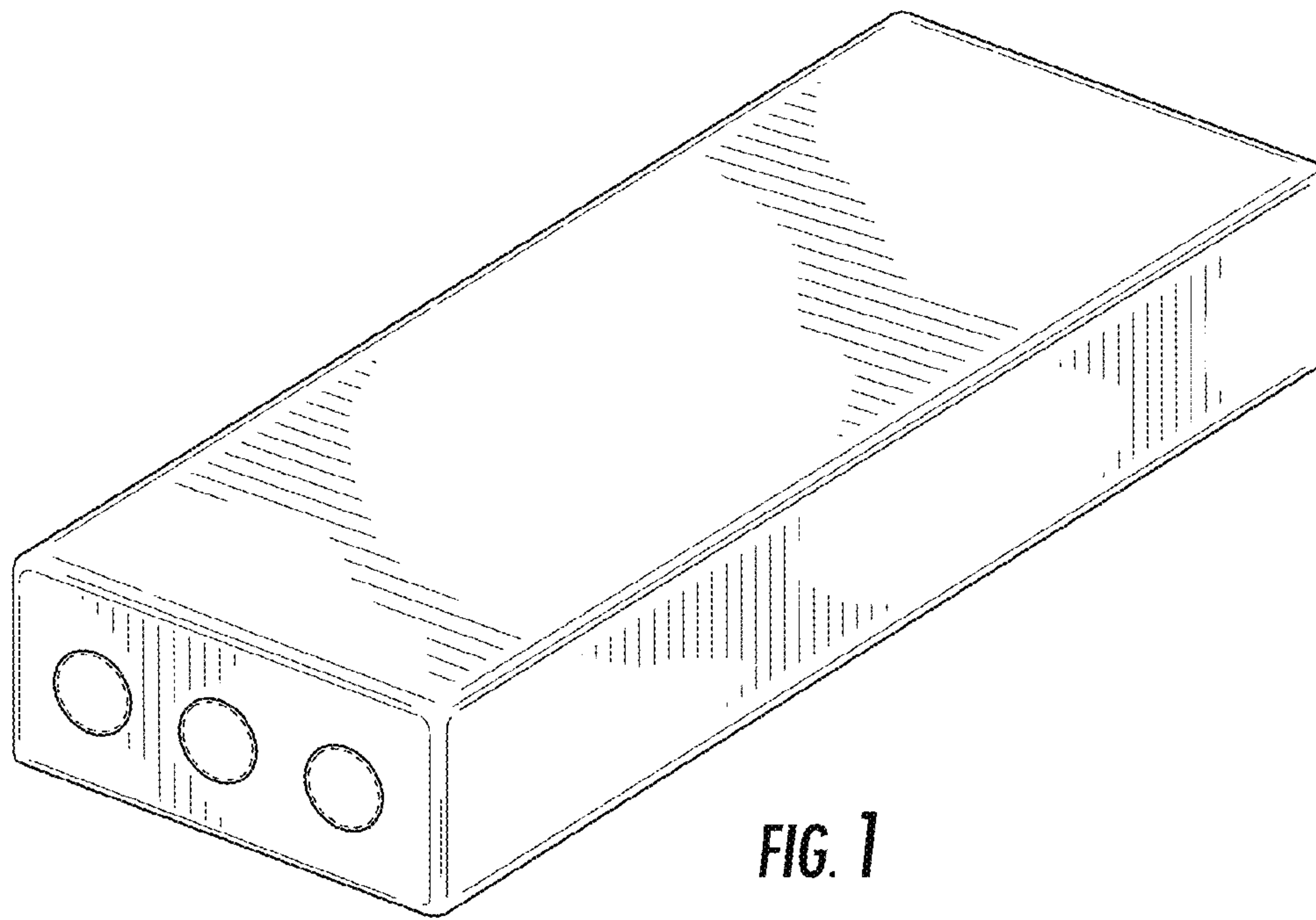


FIG. 1

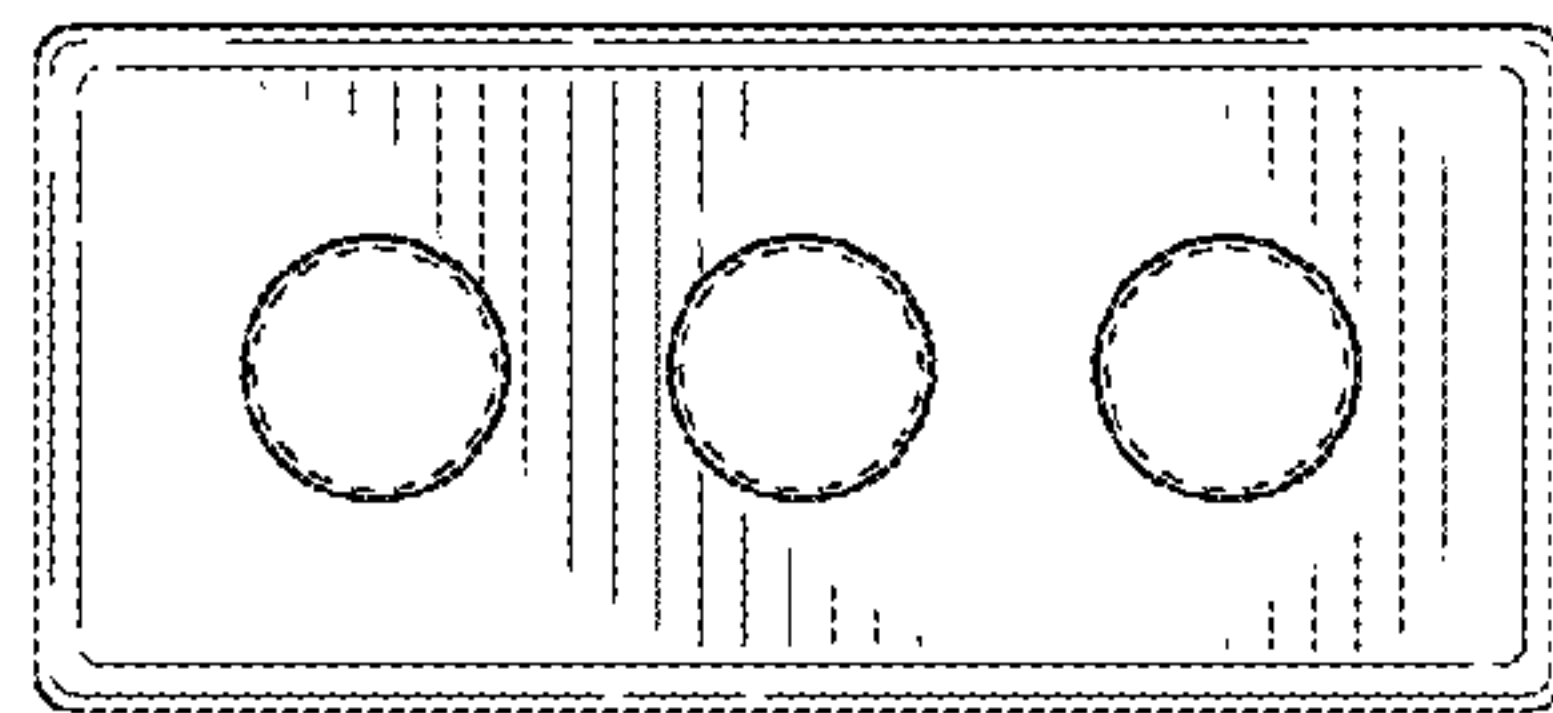


FIG. 2

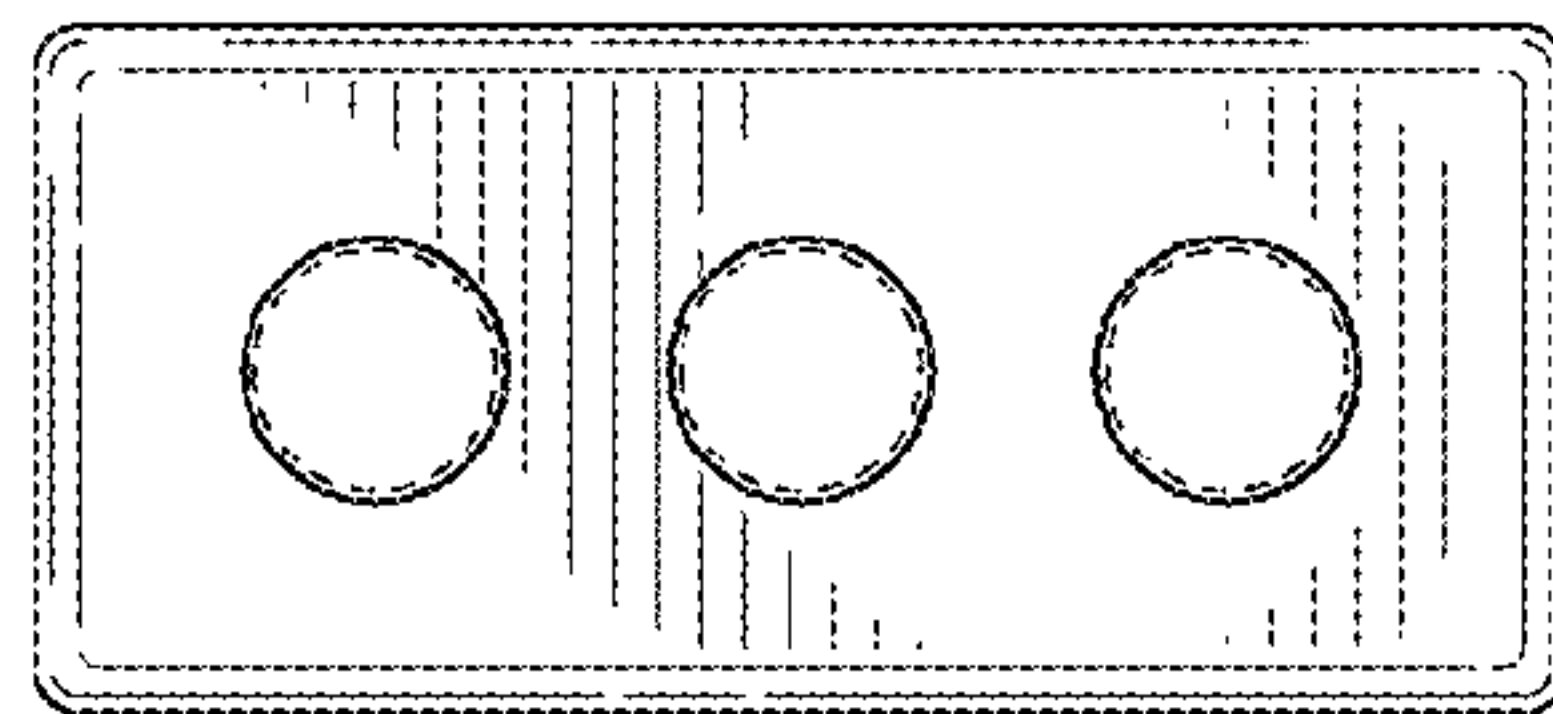


FIG. 3

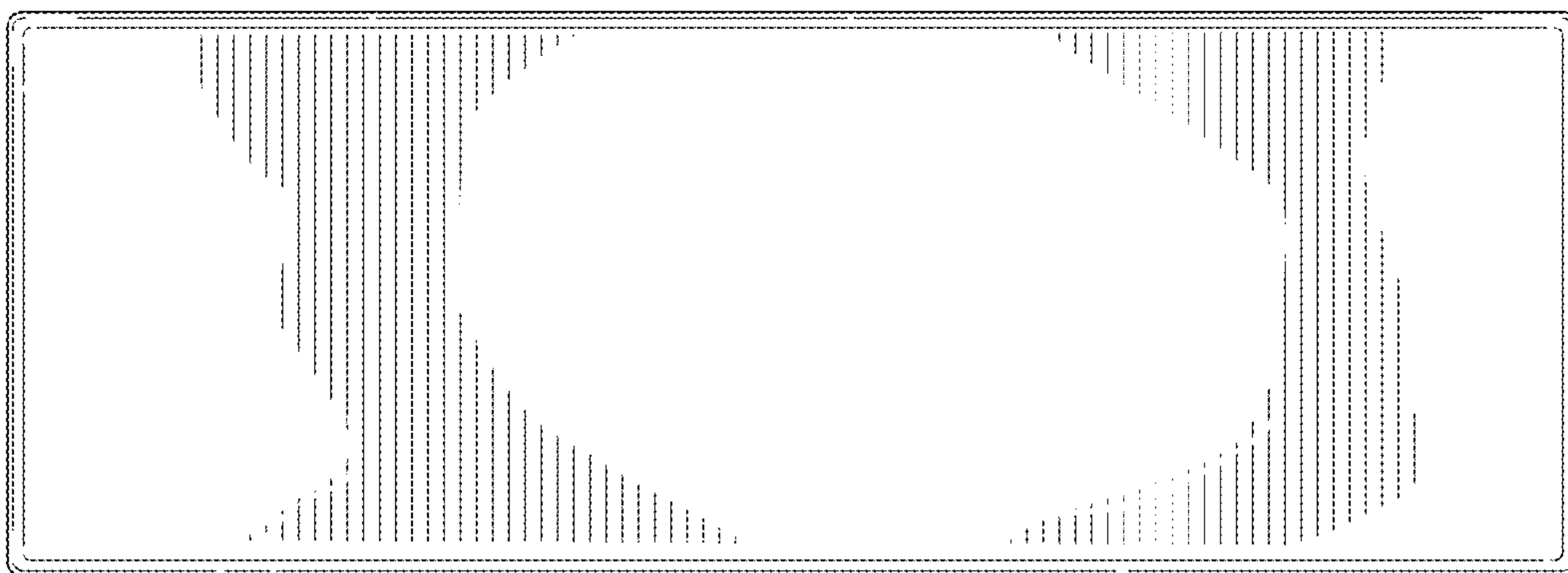


FIG. 4

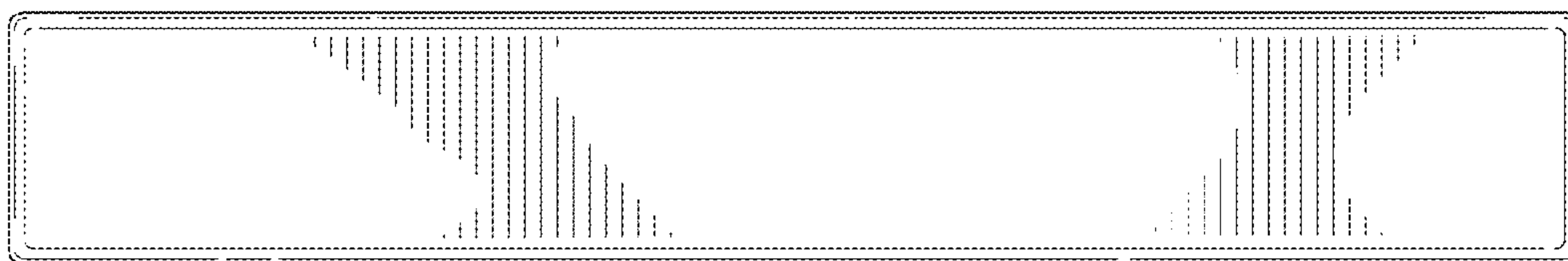


FIG. 5

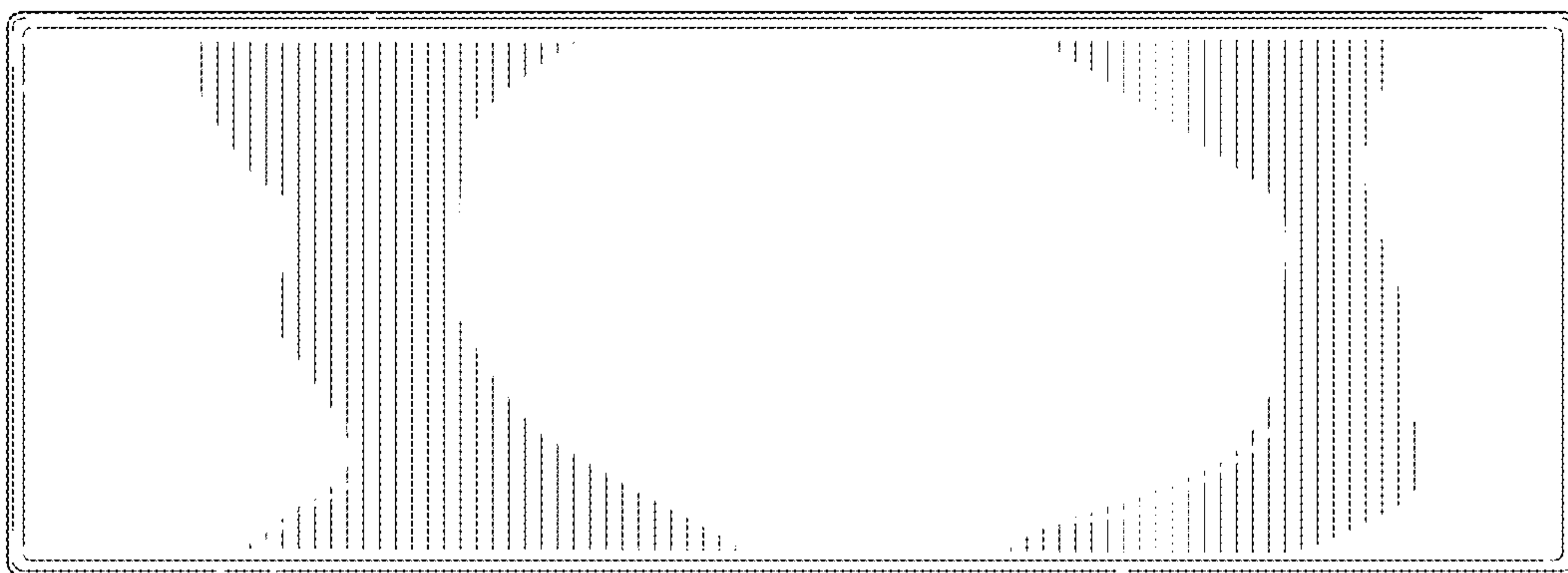


FIG. 6

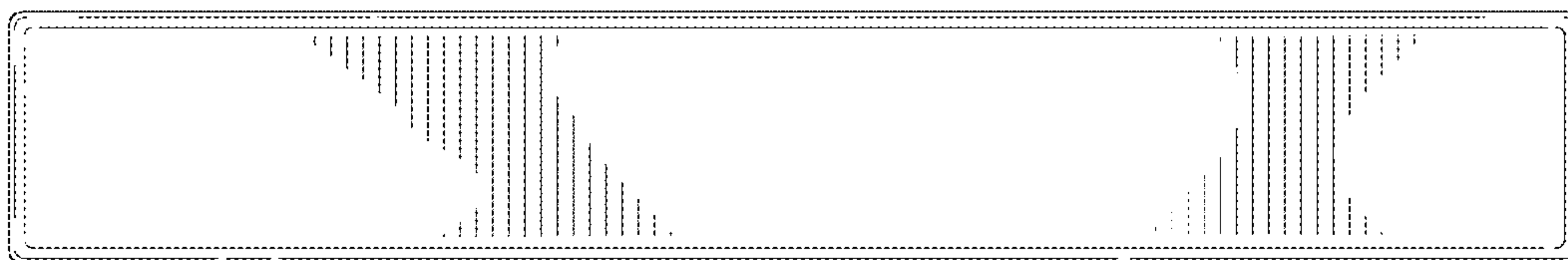


FIG. 7

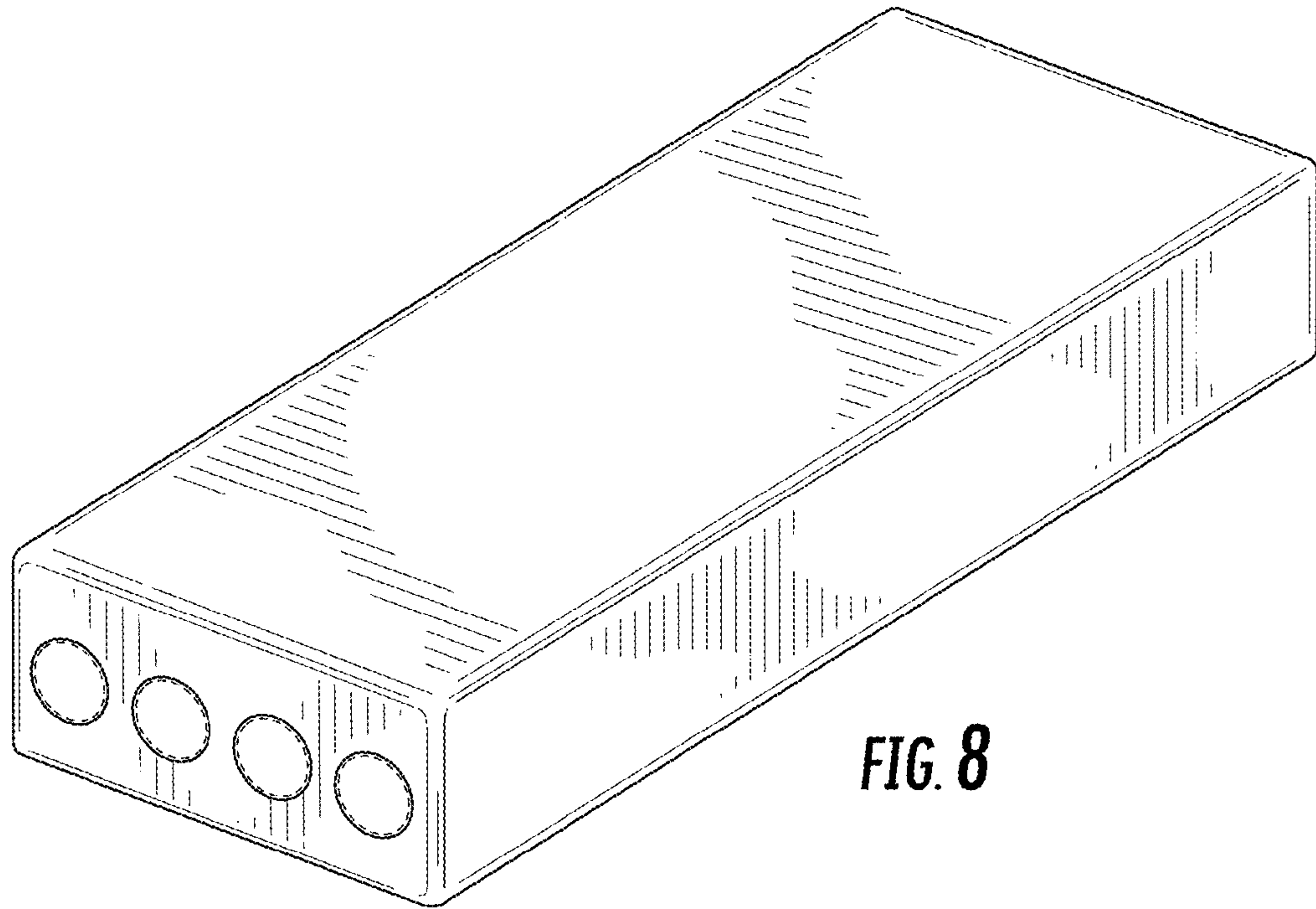


FIG. 8

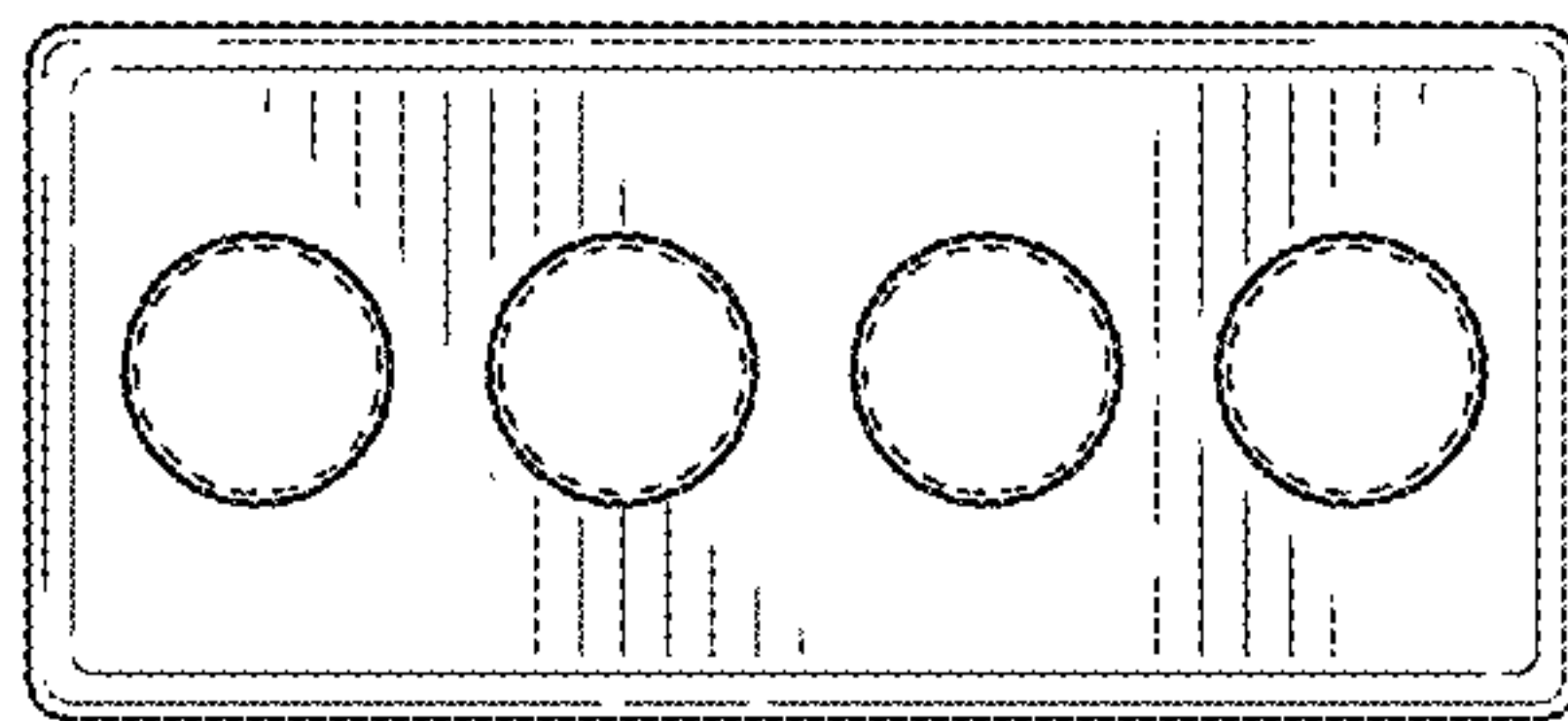


FIG. 9

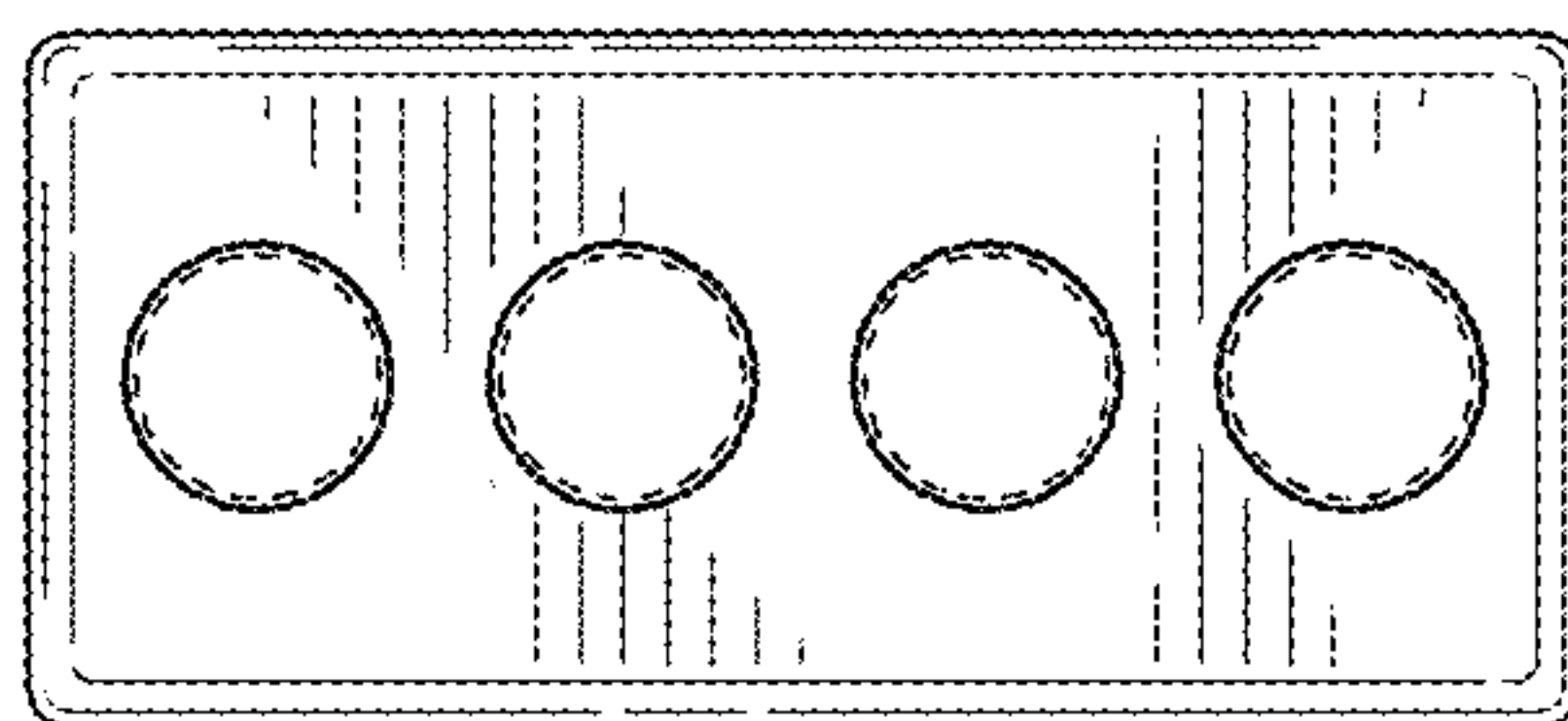


FIG. 10

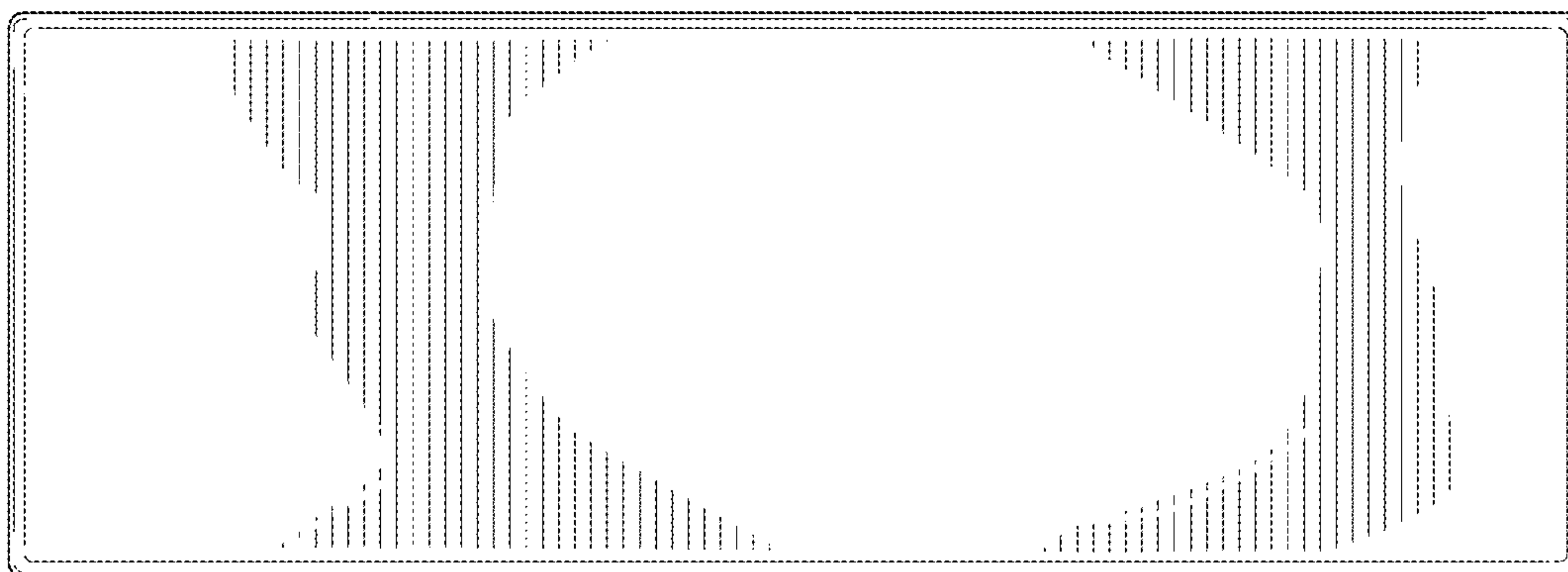


FIG. 11

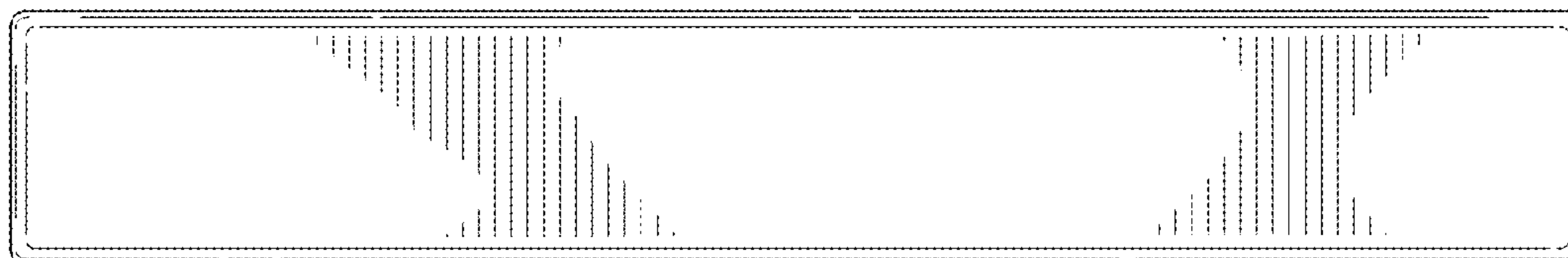


FIG. 12

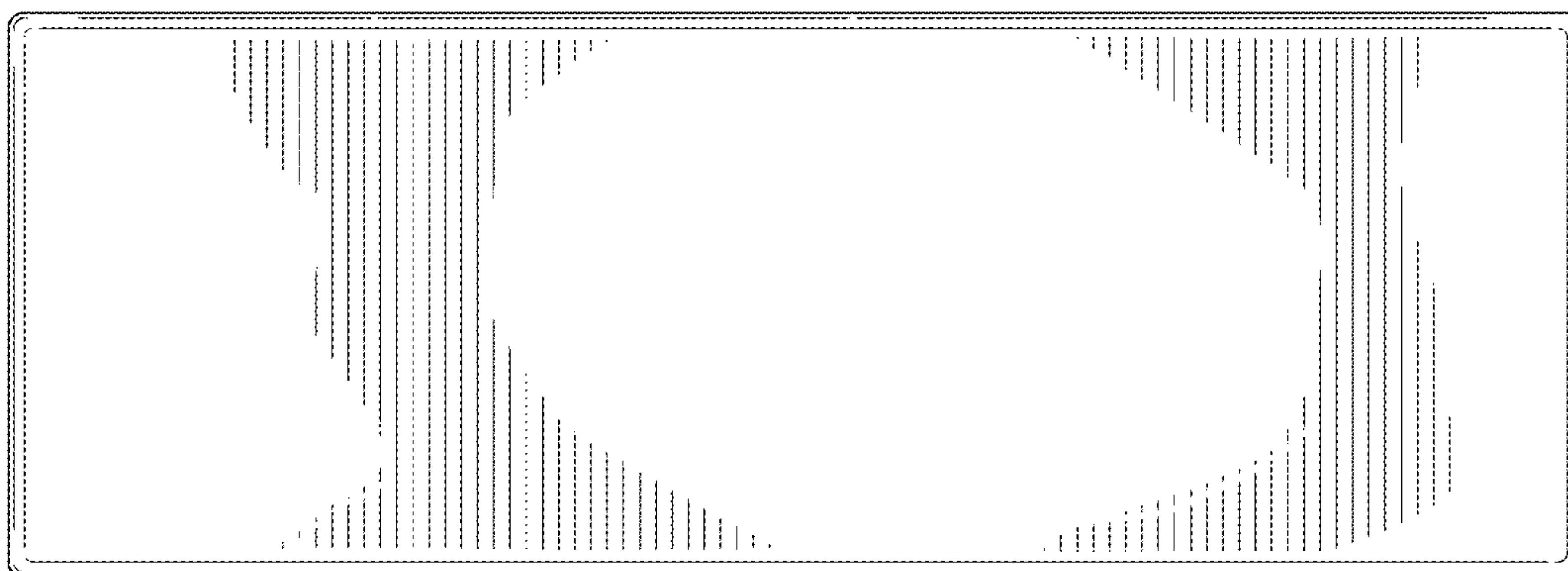


FIG. 13

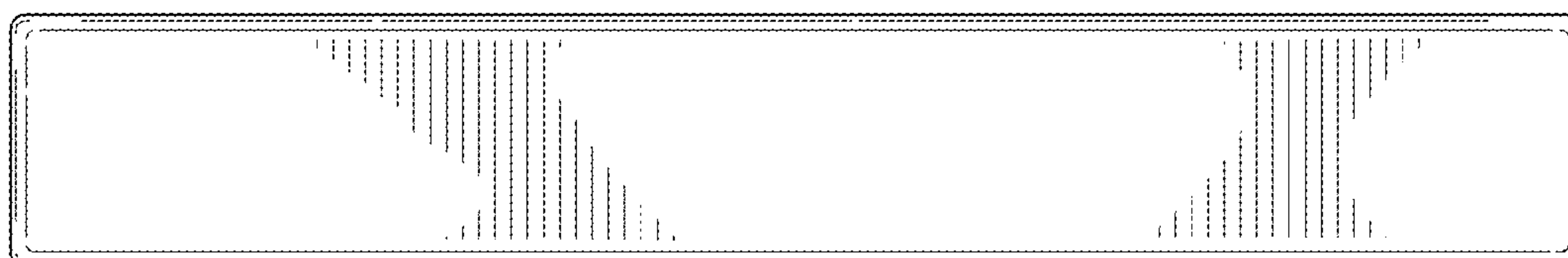


FIG. 14

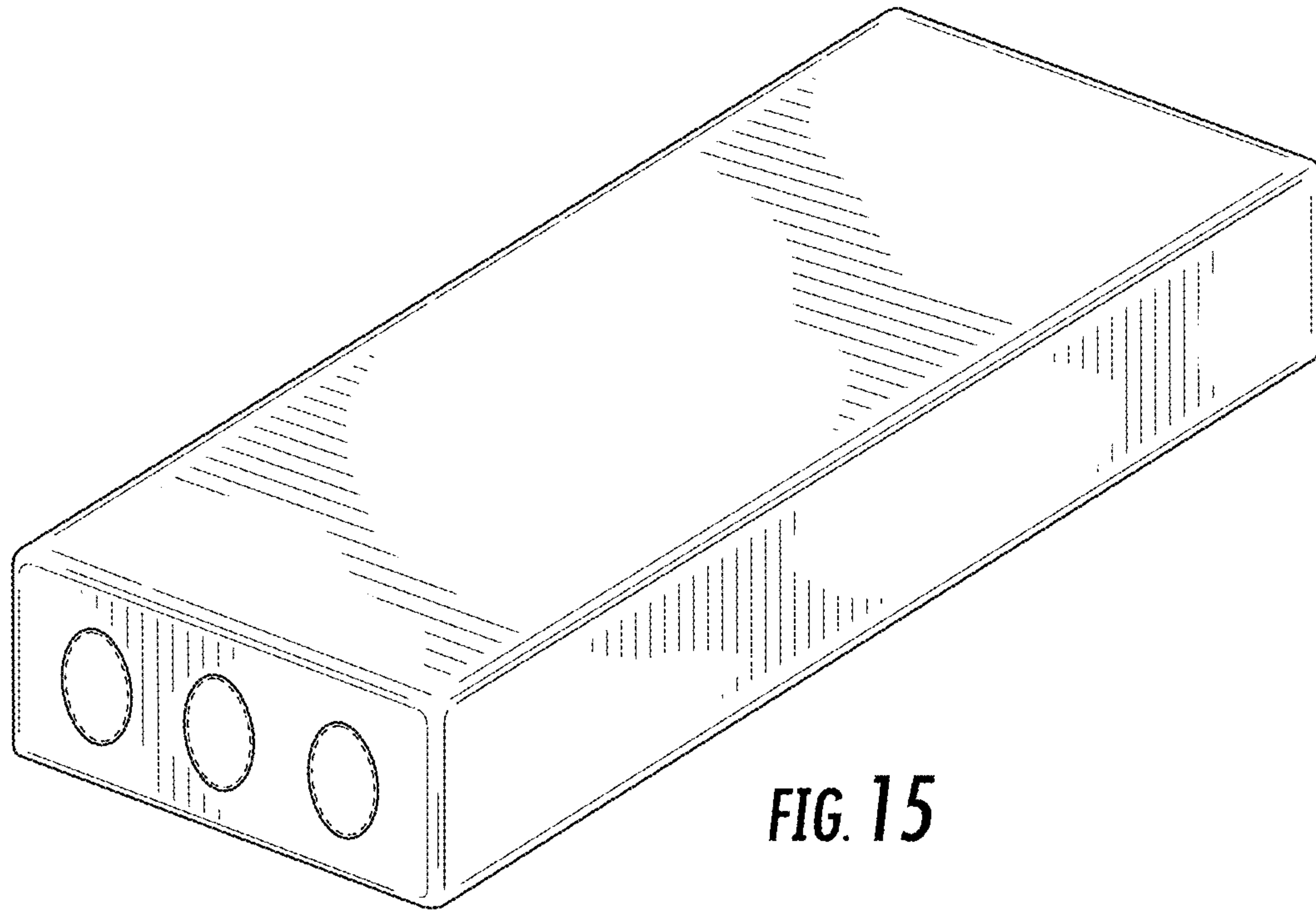


FIG. 15

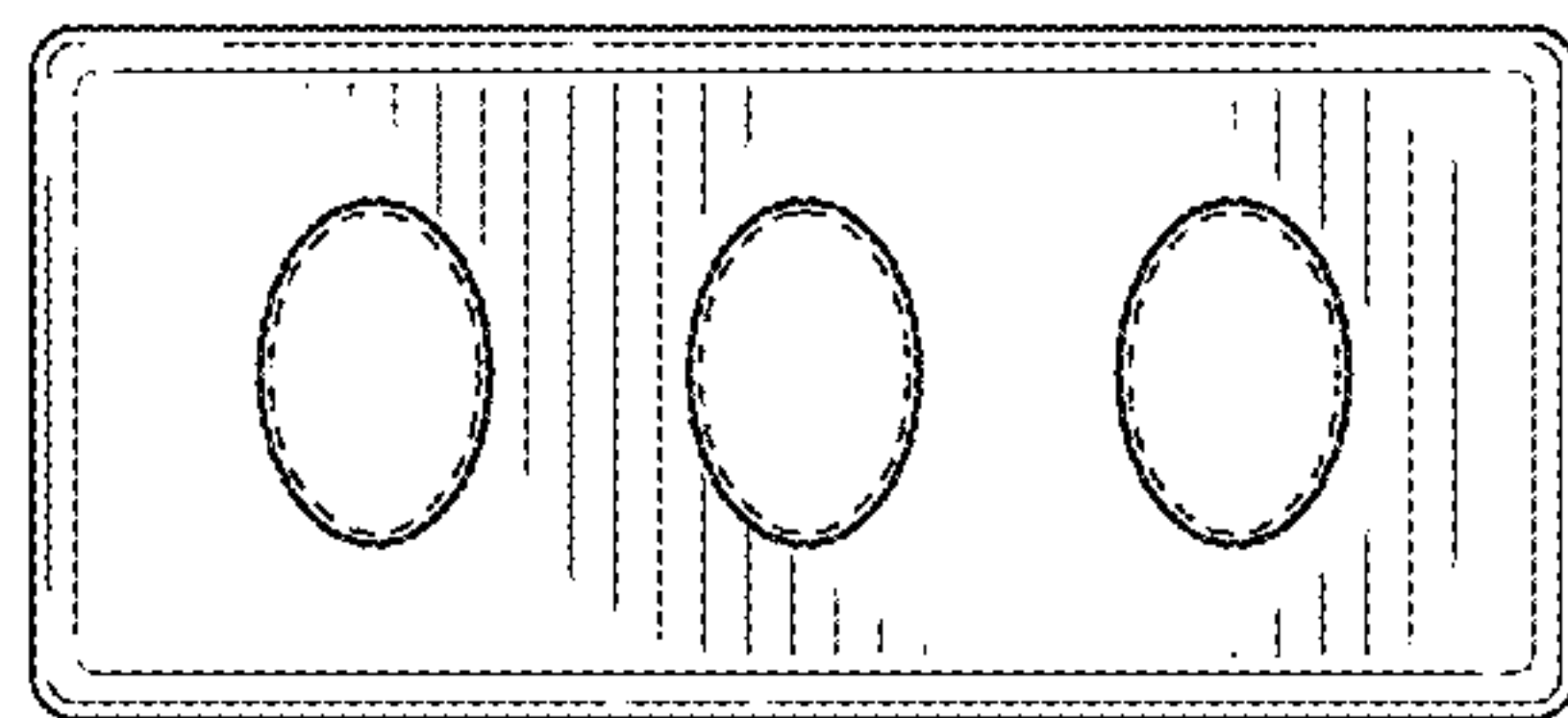


FIG. 16

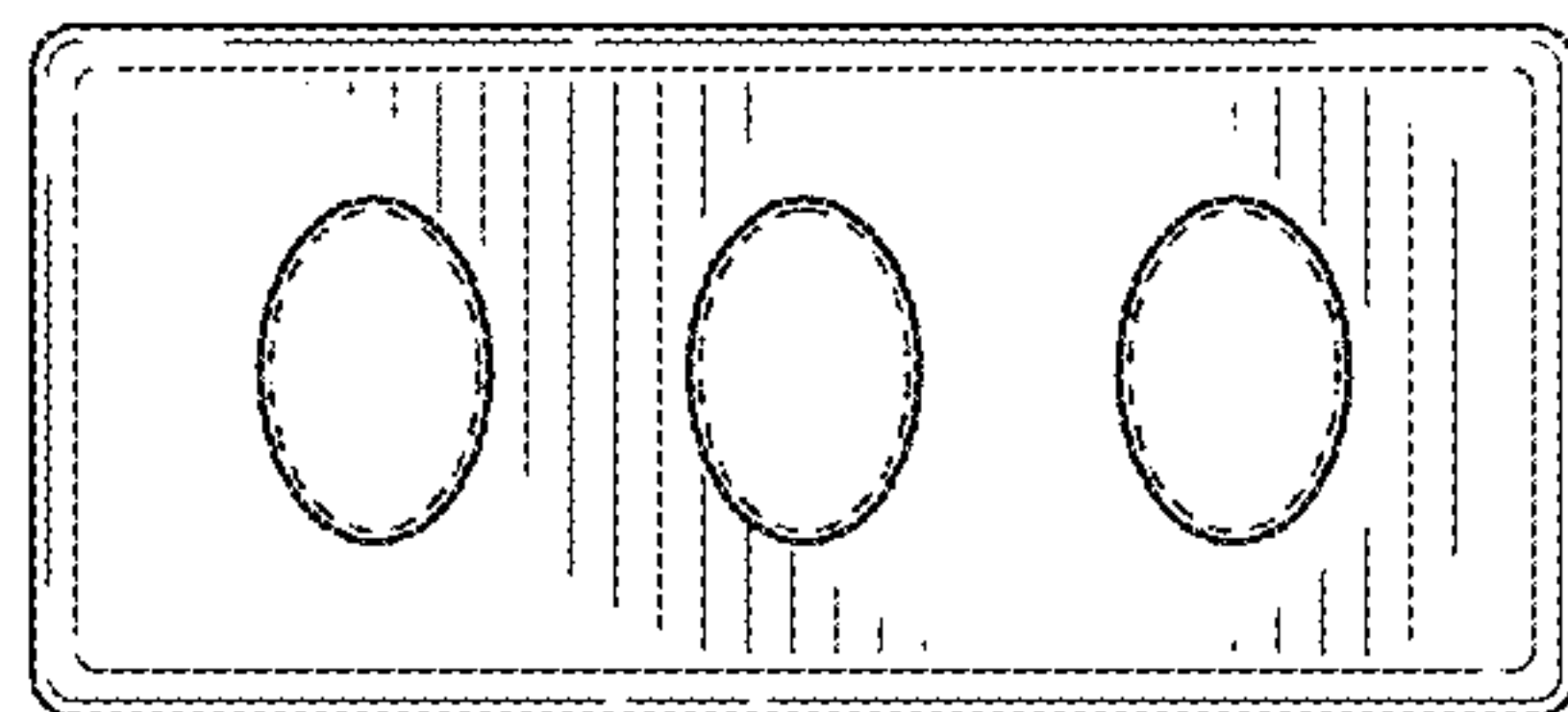


FIG. 17

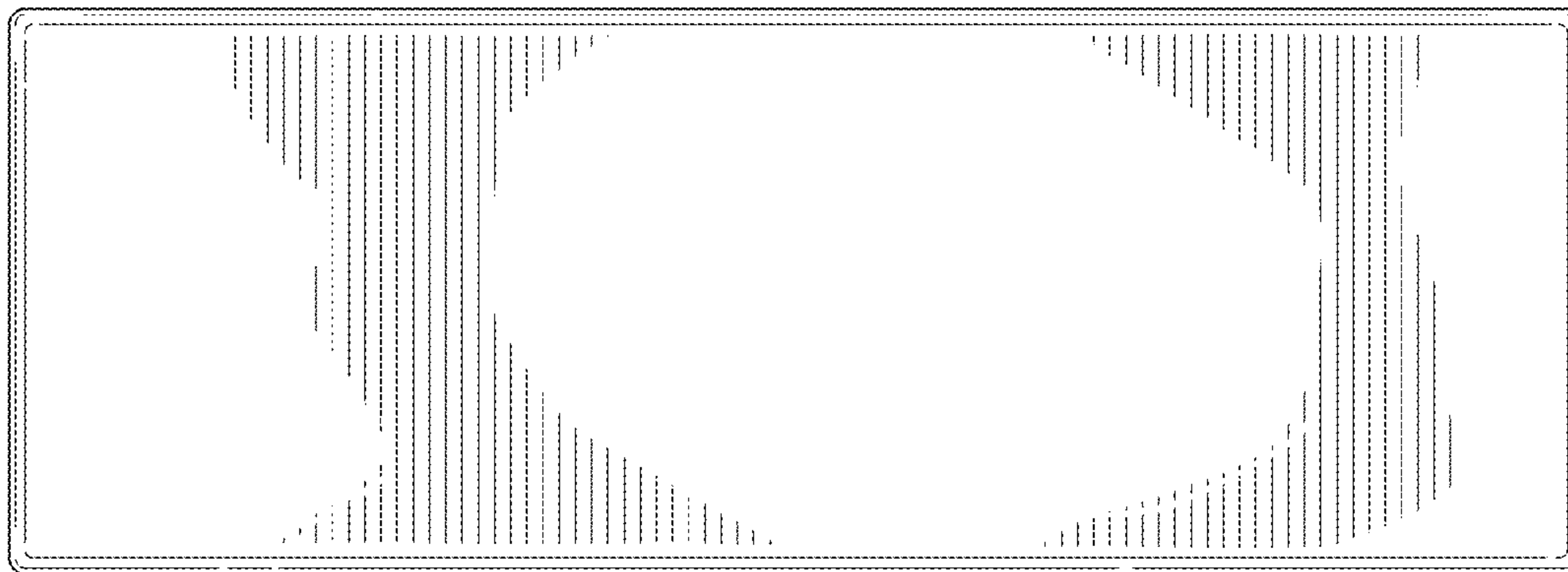


FIG. 18

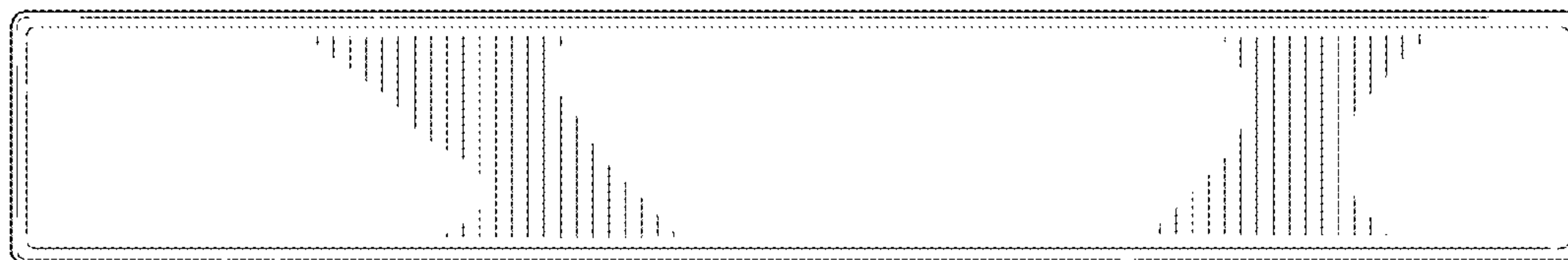


FIG. 19

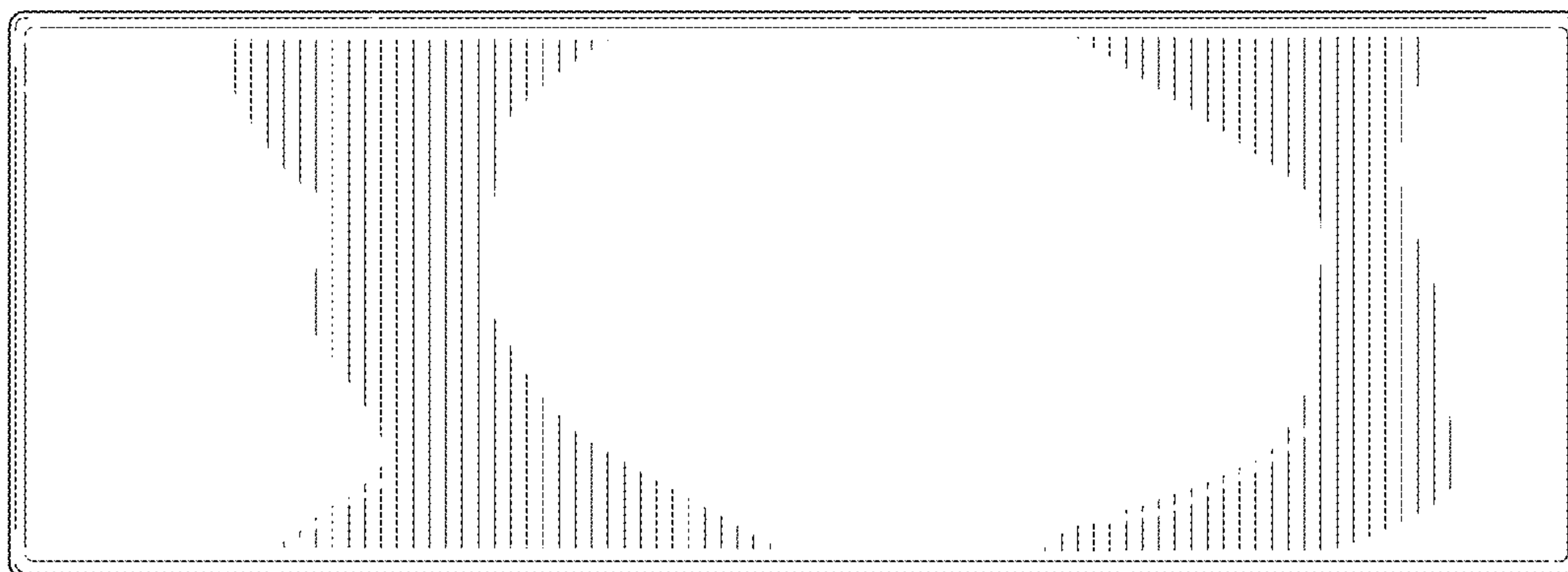


FIG. 20

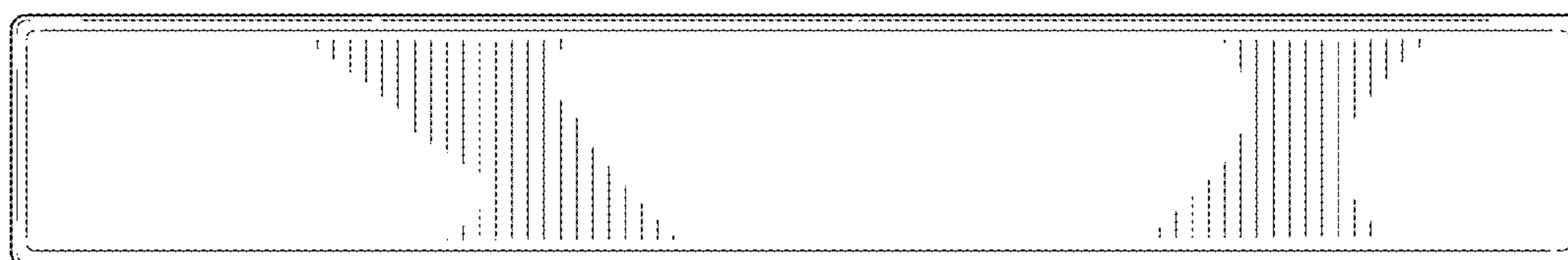


FIG. 21

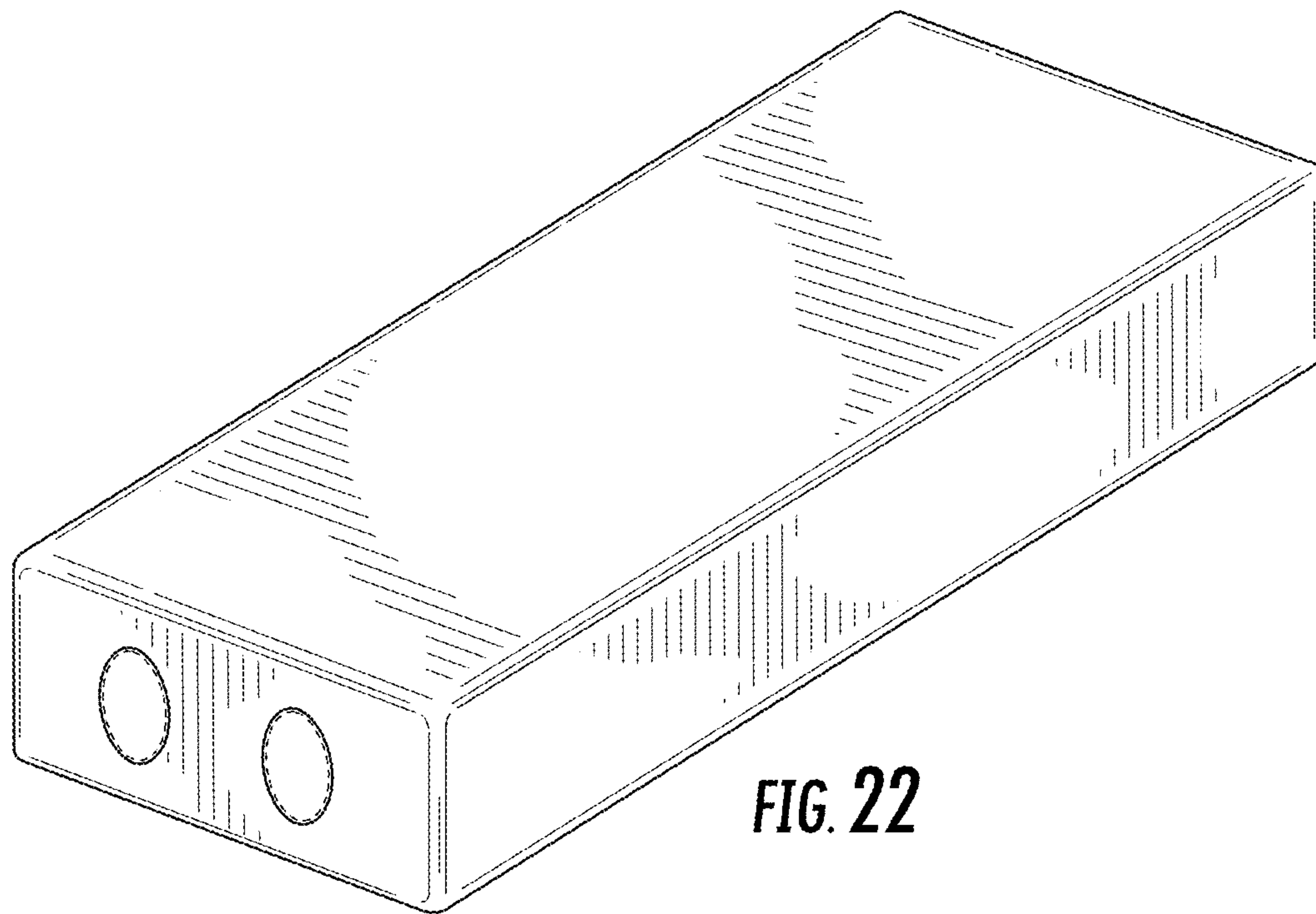


FIG. 22

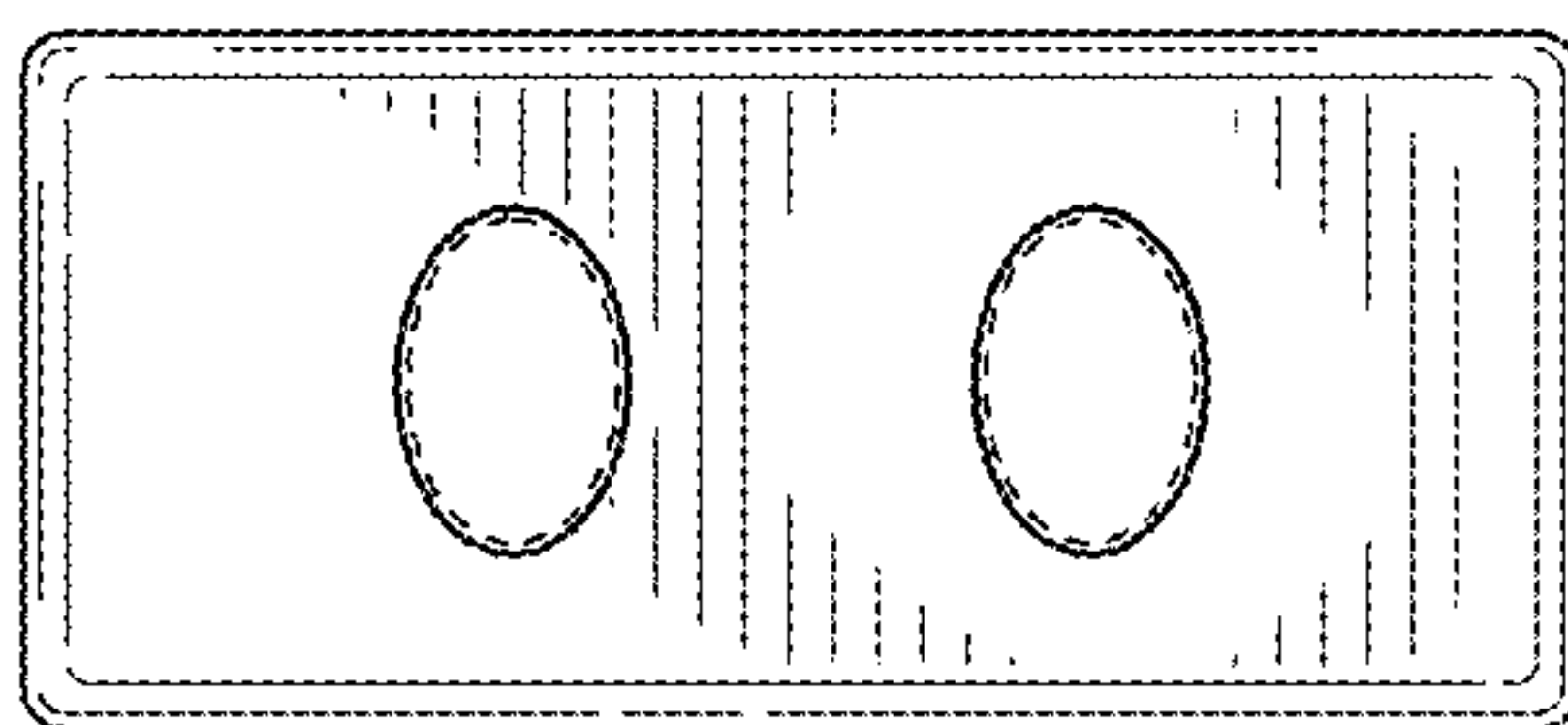


FIG. 23

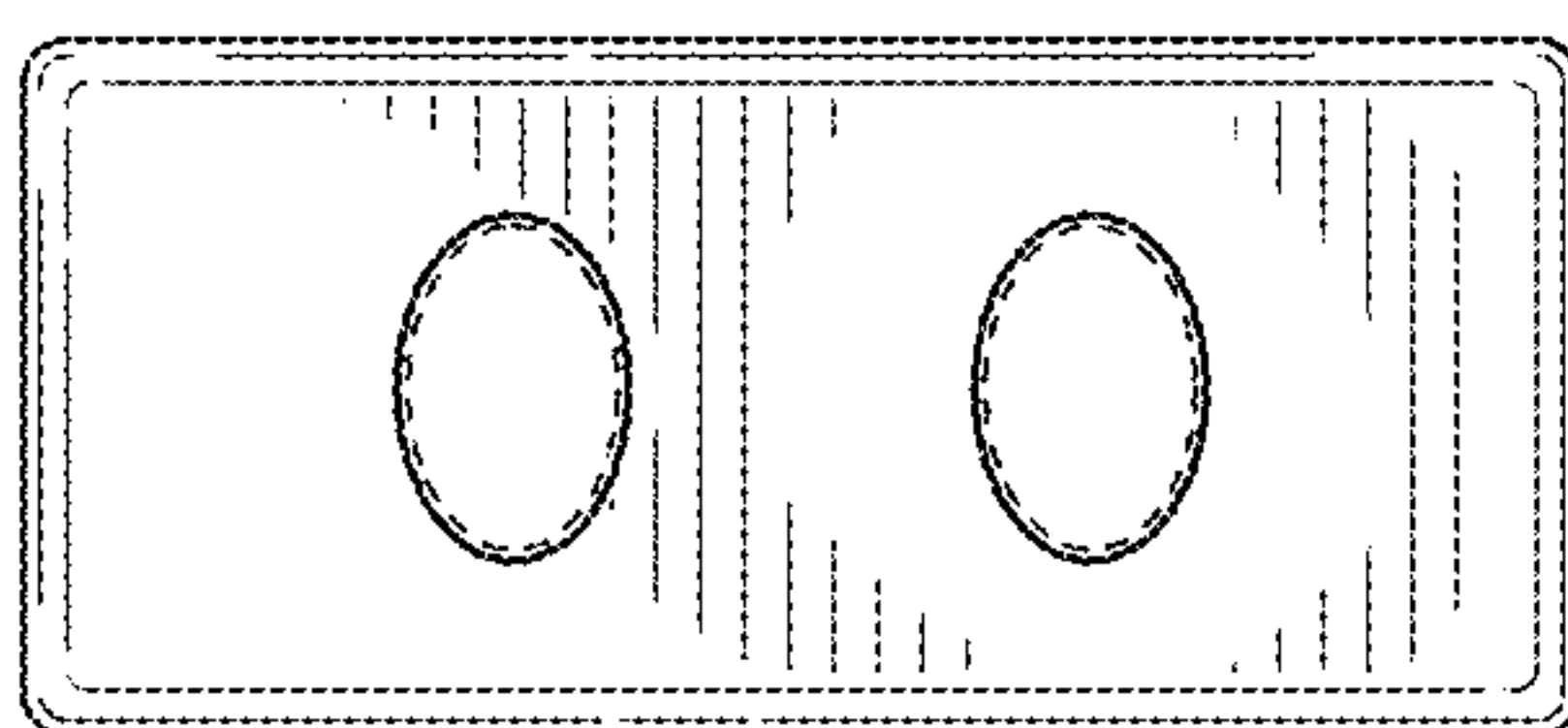


FIG. 24

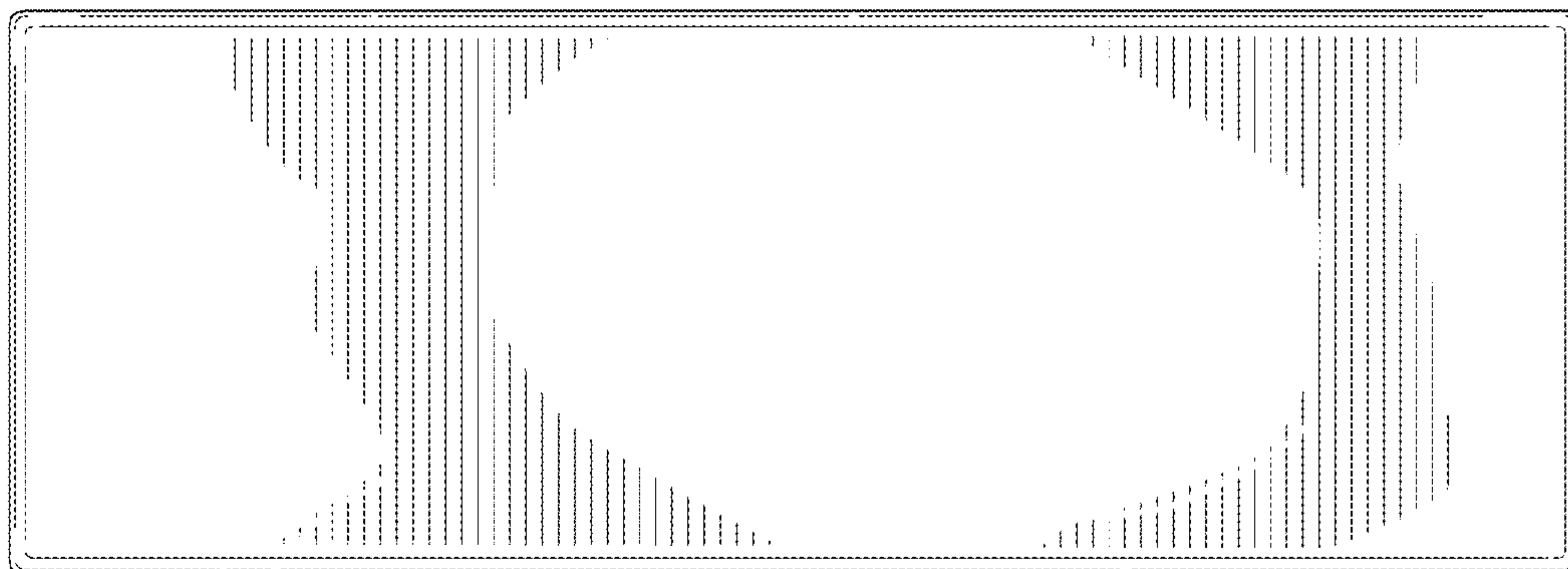


FIG. 25

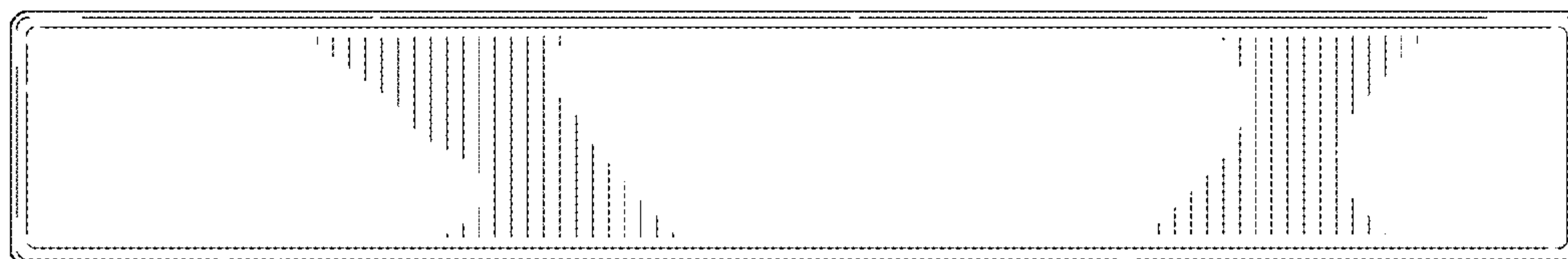


FIG. 26

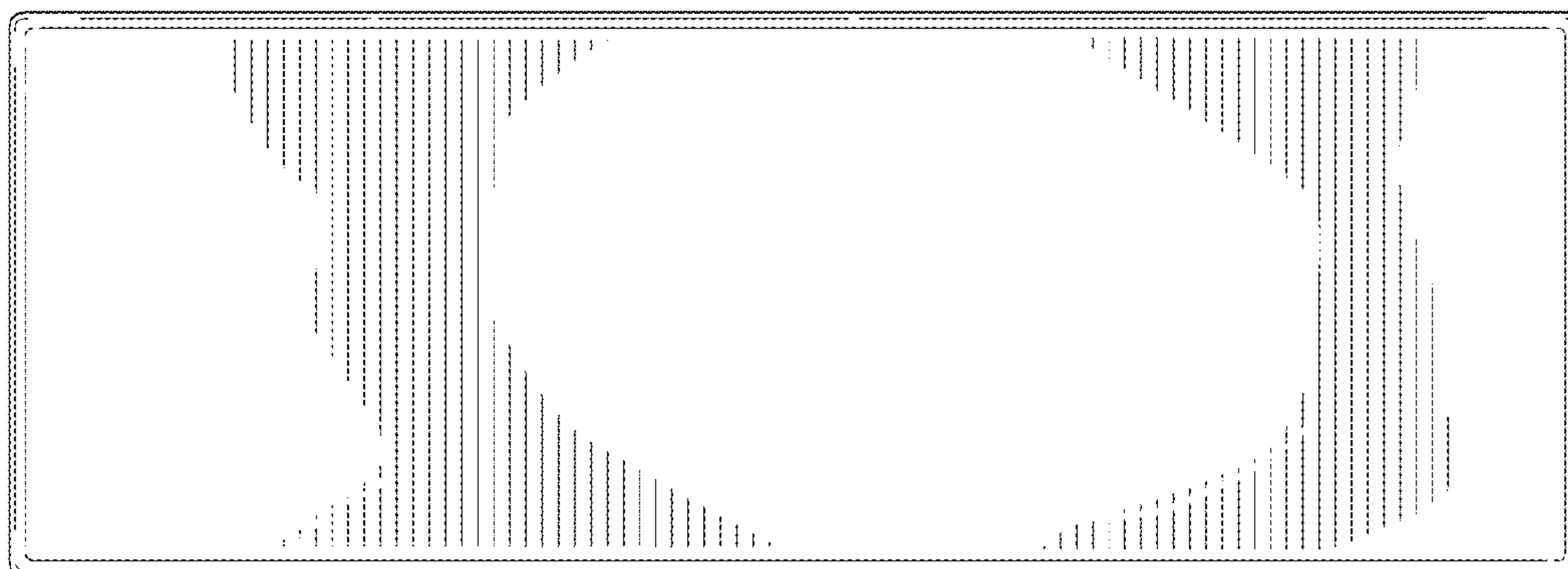


FIG. 27

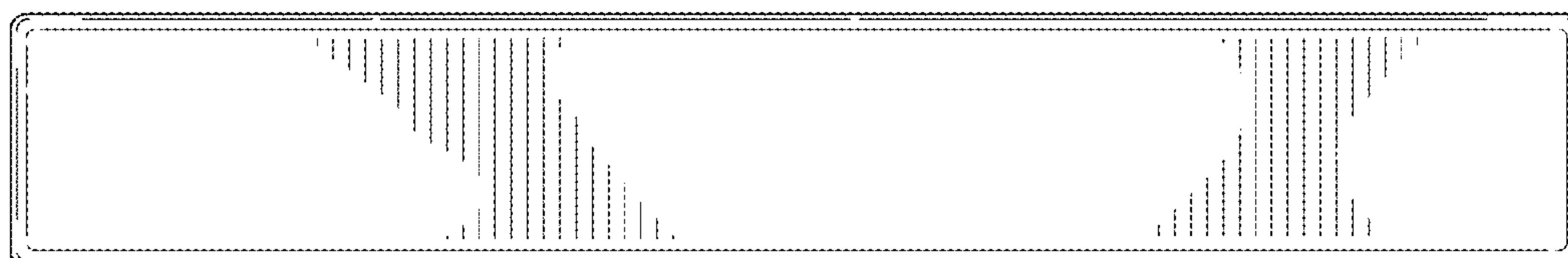


FIG. 28

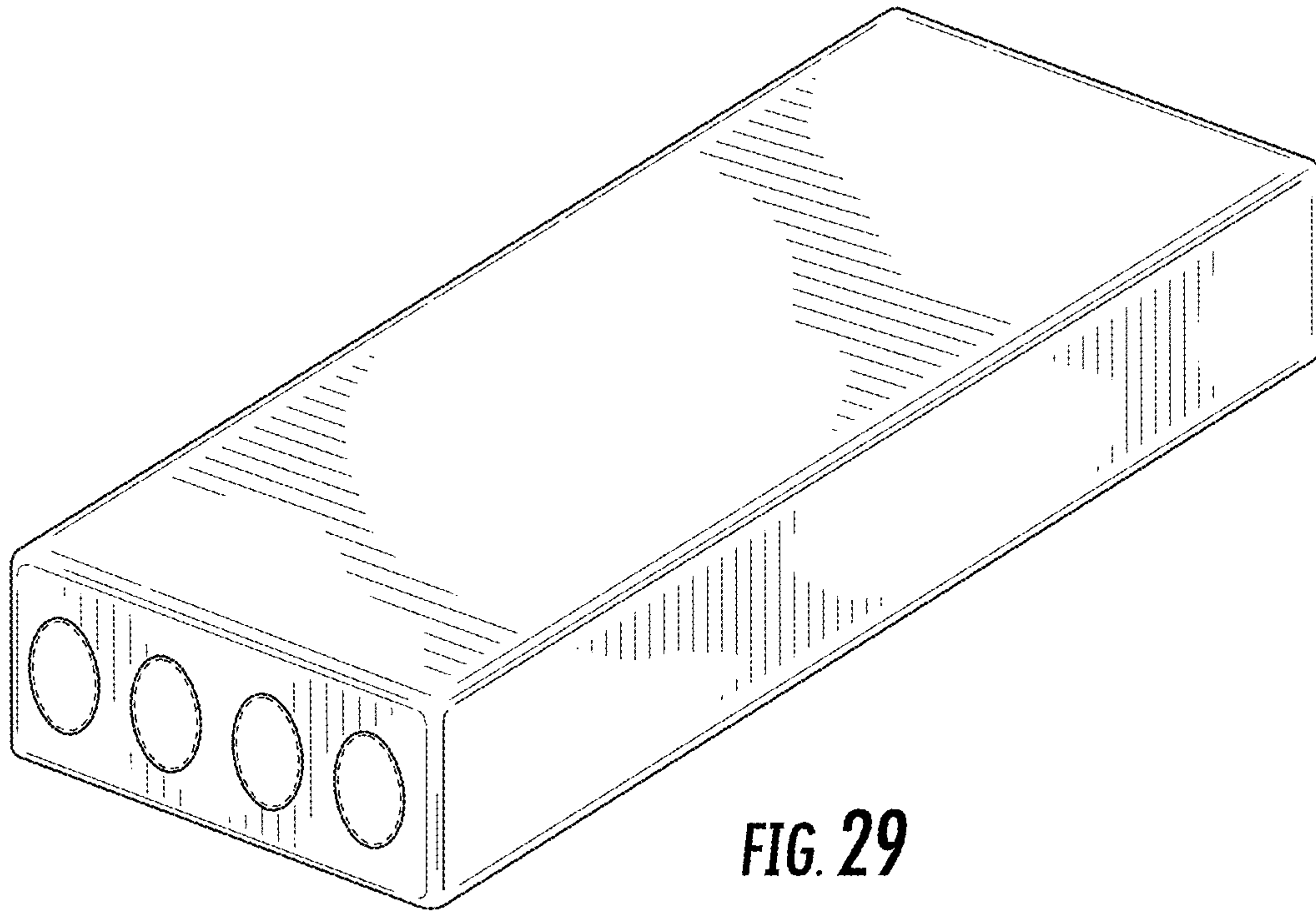


FIG. 29

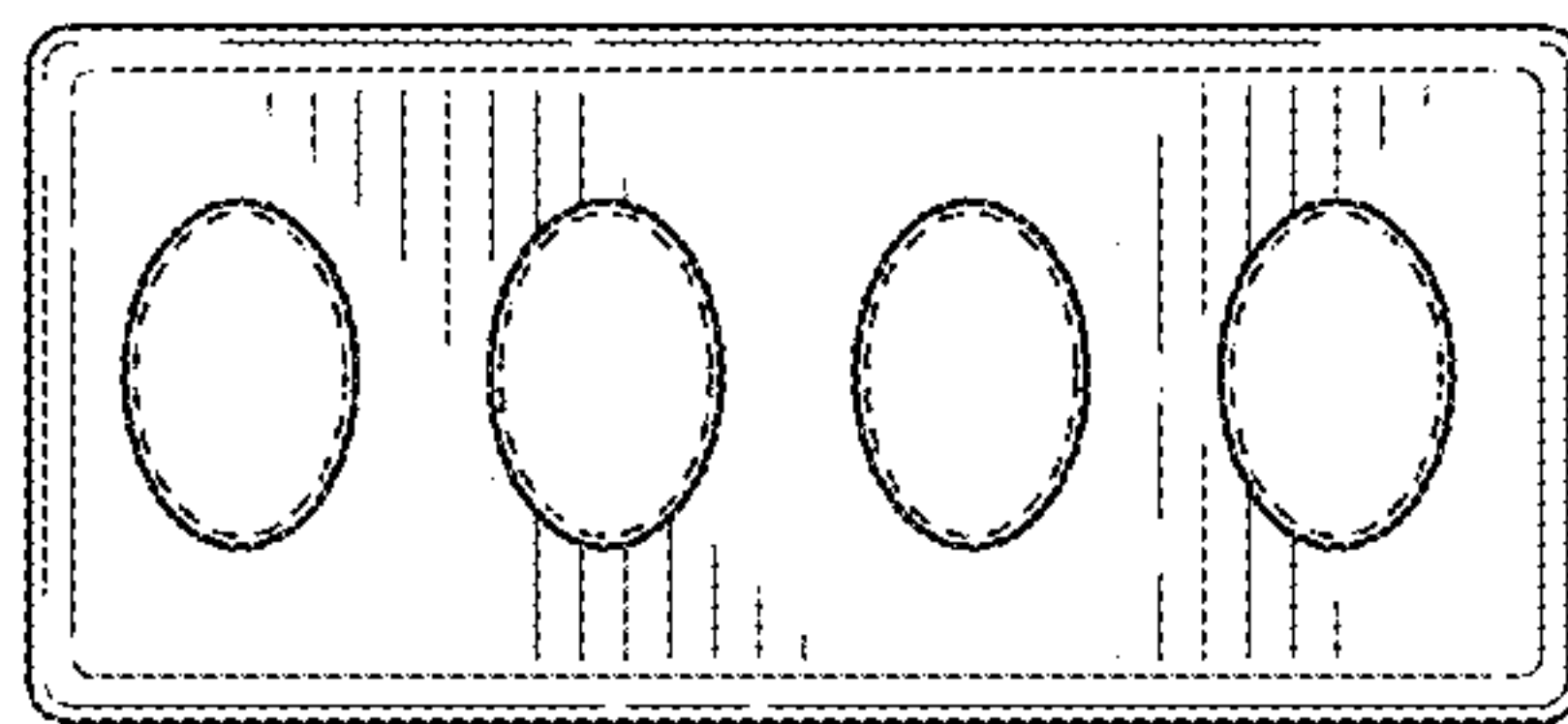


FIG. 30

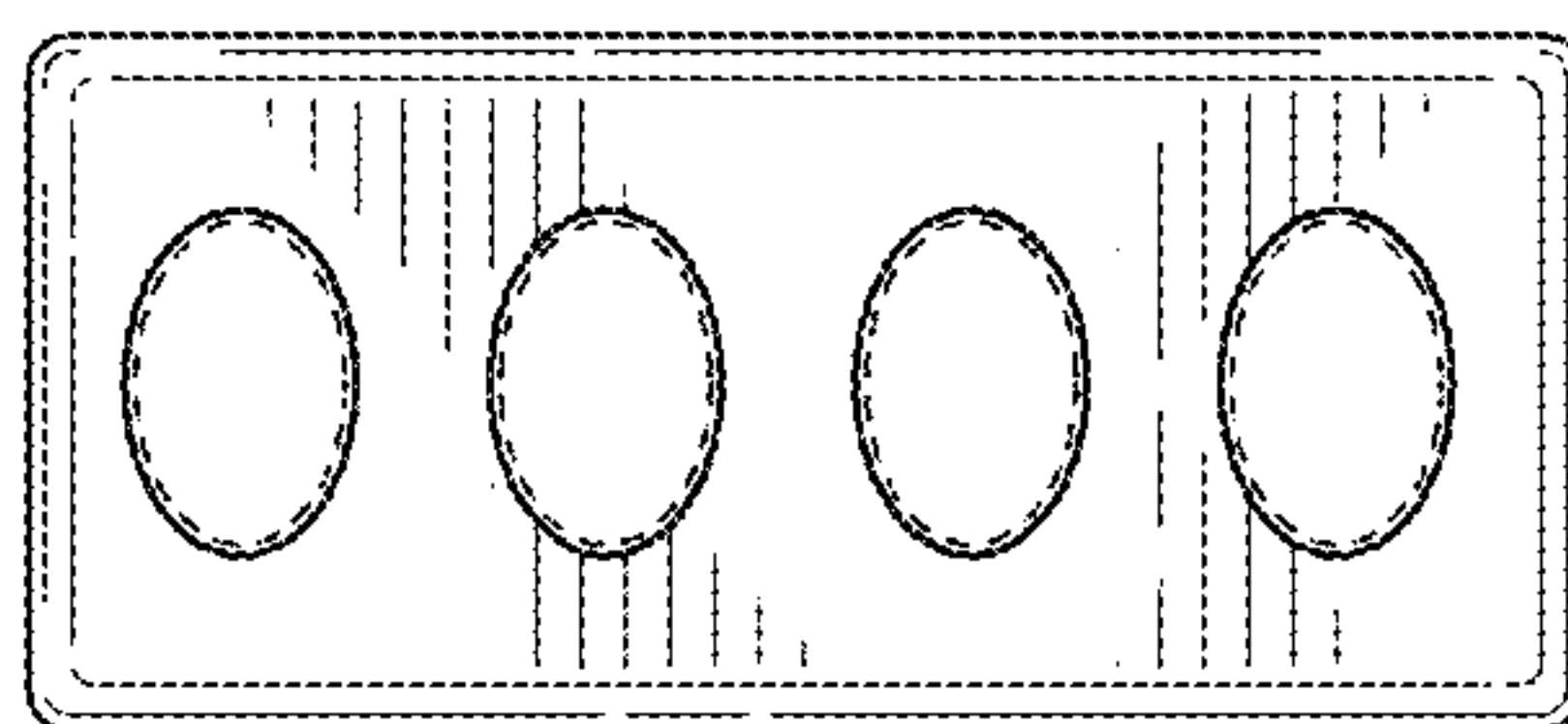


FIG. 31

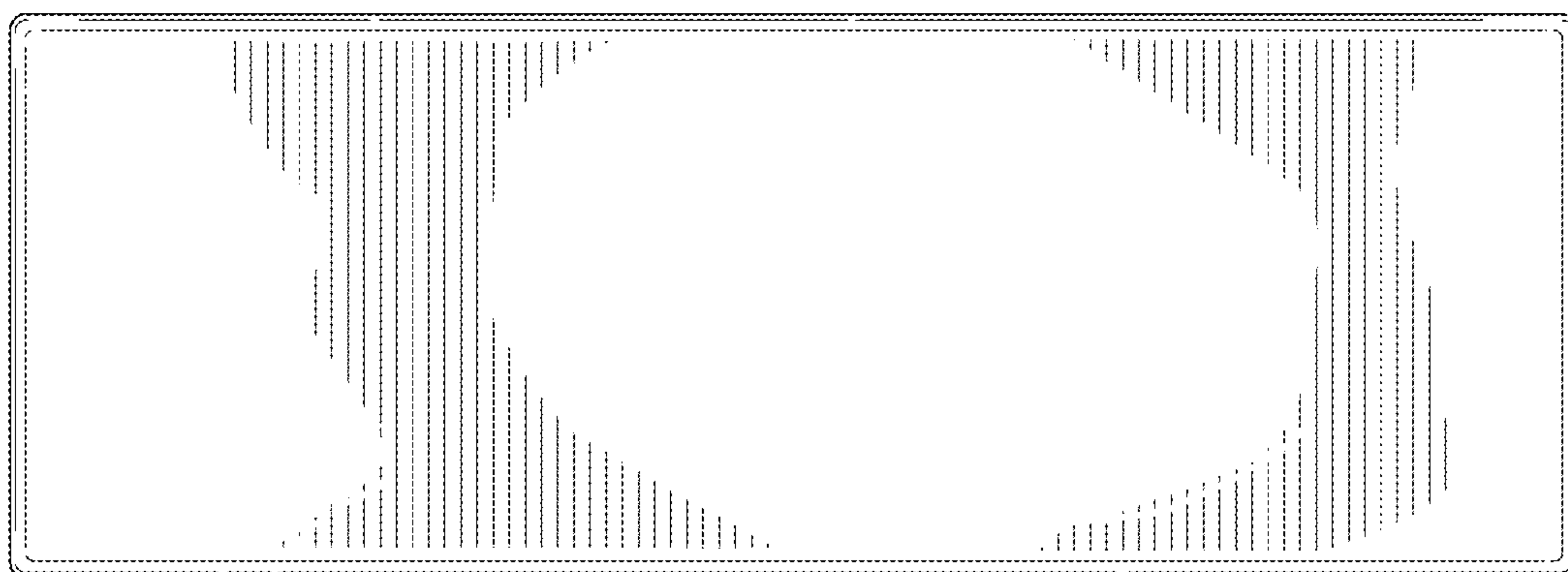


FIG. 32

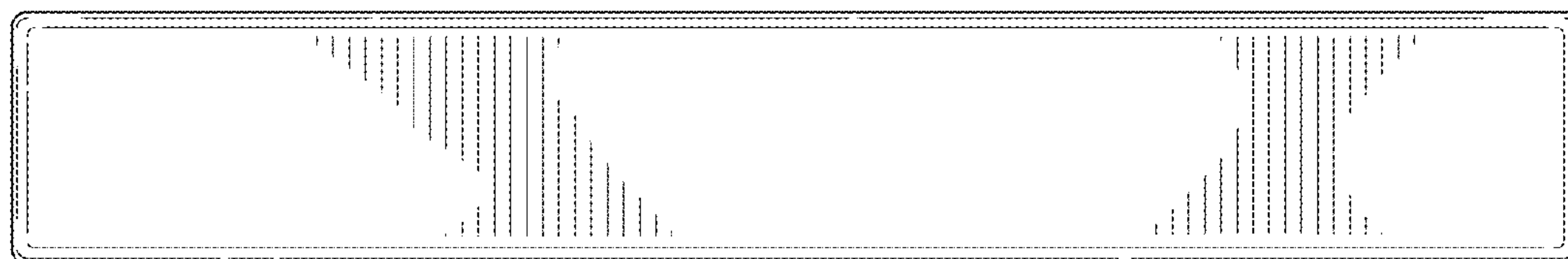


FIG. 33

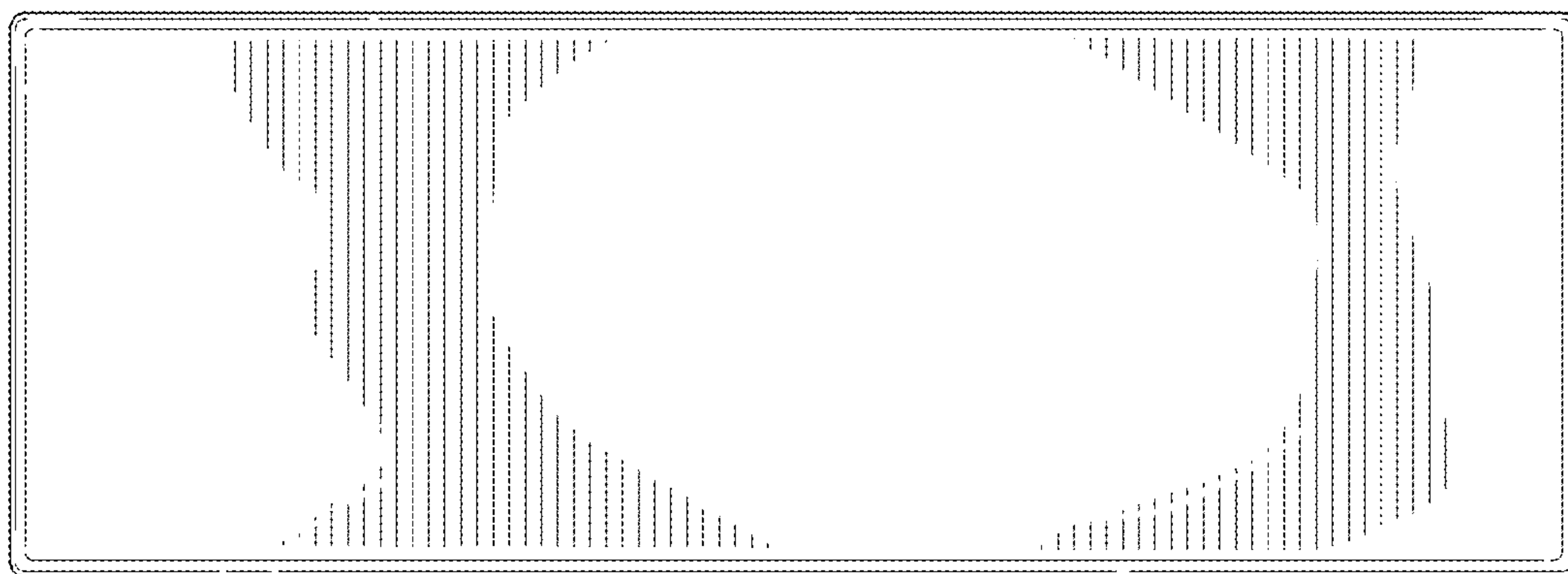


FIG. 34

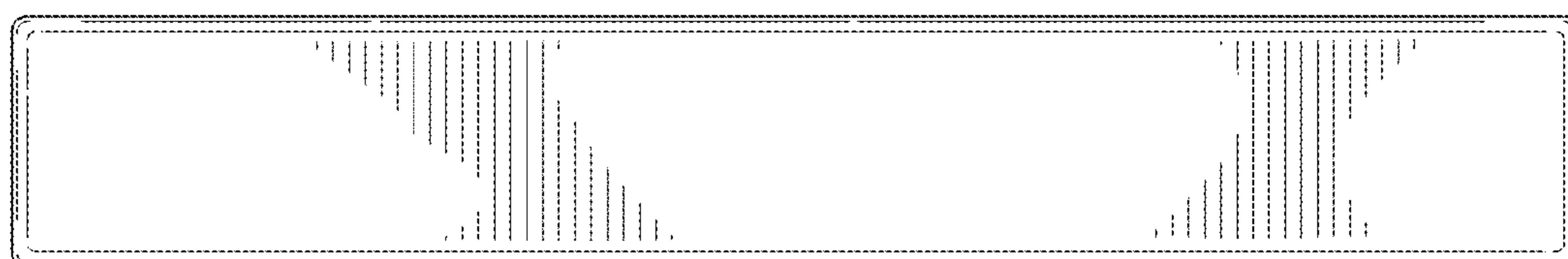


FIG. 35