



US00D733992S

(12) **United States Design Patent**  
**Kimura et al.**

(10) **Patent No.:** **US D733,992 S**  
(45) **Date of Patent:** **\*\* Jul. 14, 2015**

- (54) **MACARONI**
- (71) Applicant: **NISSHIN FOODS INC.**, Tokyo (JP)
- (72) Inventors: **Ryusuke Kimura**, Tokyo (JP); **Fusaki Kajio**, Tokyo (JP)
- (73) Assignee: **NISSHIN FOODS INC.**, Tokyo (JP)
- (\*\*) Term: **14 Years**
- (21) Appl. No.: **29/488,931**
- (22) Filed: **Apr. 24, 2014**

**Related U.S. Application Data**

- (62) Division of application No. 29/445,131, filed on Feb. 7, 2013, now Pat. No. Des. 707,419.
- (51) **LOC (10) Cl.** ..... **01-01**
- (52) **U.S. Cl.**  
USPC ..... **D1/126**
- (58) **Field of Classification Search**  
USPC ..... D1/100–130, 199; 426/5, 76, 87, 92, 426/94, 95, 99, 101, 103, 104, 108, 134, 426/138–139, 143, 144, 279, 282, 283, 391, 426/514, 549, 559, 560, 660, 808; D9/439; 521/50; 251/364; 220/574; D8/83; D21/487  
See application file for complete search history.

(56) **References Cited**

**U.S. PATENT DOCUMENTS**

- 1,589,850 A \* 6/1926 Haskell ..... 426/138
  - D134,414 S \* 11/1942 Orme, Jr. .... D1/120
- (Continued)

**FOREIGN PATENT DOCUMENTS**

- JP D 1464824 3/2001
  - JP D 1464623 3/2013
- (Continued)

**OTHER PUBLICATIONS**

Japanese Design Patent Application No. 2012-18358 filed Aug. 1, 2012.

Japanese Design Patent Application No. 2012-18359 filed Aug. 1, 2012.

(Continued)

*Primary Examiner* — Garth Rademaker

*Assistant Examiner* — Katie Mroczka

(74) *Attorney, Agent, or Firm* — Muncy, Geissler, Olds & Lowe, P.C.

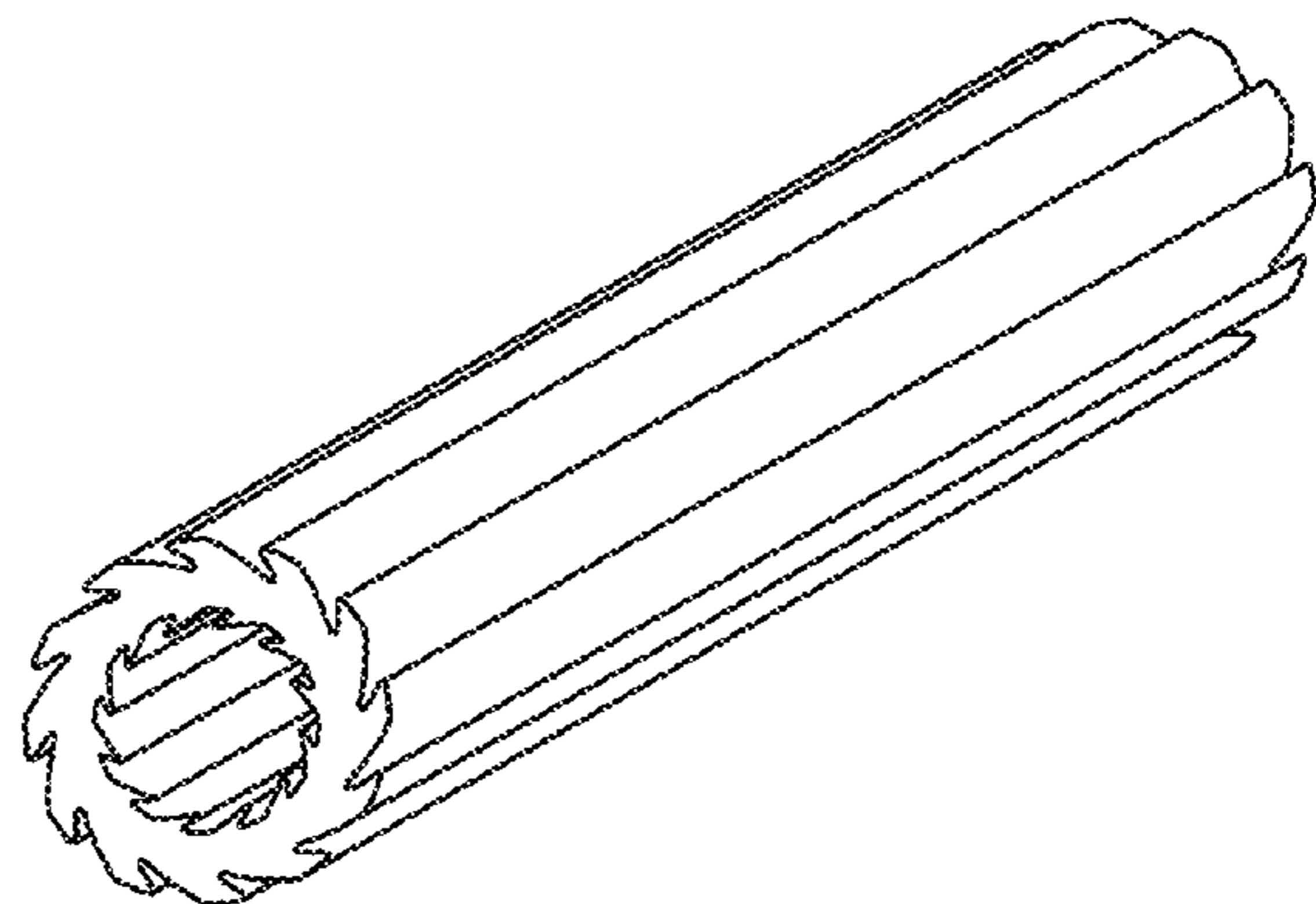
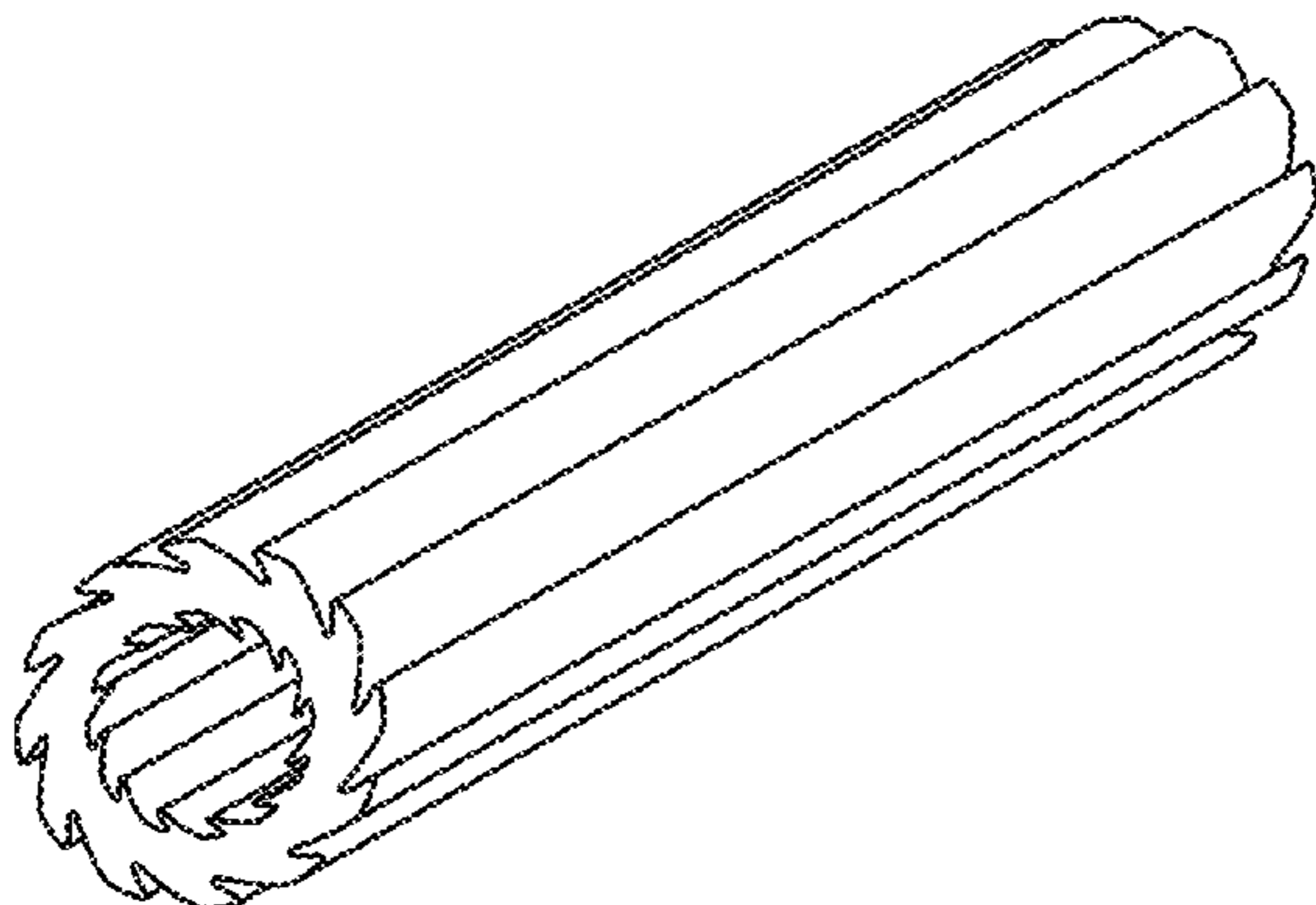
(57) **CLAIM**

The ornamental design for a macaroni, as shown and described.

**DESCRIPTION**

FIG. 1 is a perspective view of a macaroni according to Embodiment 1;  
 FIG. 2 is a front view of the macaroni according to Embodiment 1;  
 FIG. 3 is a rear view of the macaroni according to Embodiment 1;  
 FIG. 4 is a right side view of the macaroni according to Embodiment 1;  
 FIG. 5 is a left side view of the macaroni according to Embodiment 1;  
 FIG. 6 is a top plan view of the macaroni according to Embodiment 1;  
 FIG. 7 is a bottom plan view of the macaroni according to Embodiment 1;  
 FIG. 8 is a perspective view of a macaroni according to Embodiment 2;  
 FIG. 9 is a front view of the macaroni according to Embodiment 2;  
 FIG. 10 is a rear view of the macaroni according to Embodiment 2;  
 FIG. 11 is a right side view of the macaroni according to Embodiment 2;  
 FIG. 12 is a left side view of the macaroni according to Embodiment 2;  
 FIG. 13 is a top plan view of the macaroni according to Embodiment 2; and,  
 FIG. 14 is a bottom plan view of the macaroni according to Embodiment 2.

**1 Claim, 2 Drawing Sheets**



(56)

**References Cited**

U.S. PATENT DOCUMENTS

D311,625 S 10/1990 Starck  
 D347,665 S \* 6/1994 Hatting ..... D21/487  
 D380,886 S 7/1997 Hauser et al.  
 D381,185 S 7/1997 Hauser et al.  
 D392,435 S 3/1998 Mocking et al.  
 D423,312 S \* 4/2000 Hames ..... D8/38  
 D428,782 S 8/2000 Hames  
 D445,322 S 7/2001 Hames  
 D485,661 S 1/2004 Harris  
 D489,865 S 5/2004 Pavan  
 D492,467 S \* 7/2004 Pittard et al. .... D1/125  
 D507,691 S \* 7/2005 Leiweke et al. .... D1/121  
 D538,507 S \* 3/2007 Tansey et al. .... D1/125  
 D575,612 S \* 8/2008 Clampitt et al. .... D8/83  
 D593,277 S 6/2009 Wylie  
 D660,546 S 5/2012 Joseph et al.  
 D684,337 S \* 6/2013 Tansey et al. .... D1/125  
 D692,206 S 10/2013 Slusarczyk et al.

8,647,694 B2 2/2014 Kimura et al.  
 2010/0034930 A1 2/2010 Ko  
 2012/0196015 A1 8/2012 Fuentes et al.

FOREIGN PATENT DOCUMENTS

JP D 1464624 3/2013  
 JP D 1464625 3/2013  
 JP D 1464823 3/2013  
 JP D 1464825 3/2013

OTHER PUBLICATIONS

Japanese Design Patent Application No. 2012-236549 filed Oct. 26, 2012.  
 International Patent Application No. PCT/JP2013/52731 filed Feb. 6, 2013.  
 Japanese Office Action dated Mar. 26, 2013, for Design Application No. 2012-018358.  
 Japanese Office Action dated Mar. 26, 2012, for Design Application No. 2012-018359.

\* cited by examiner

FIG. 1

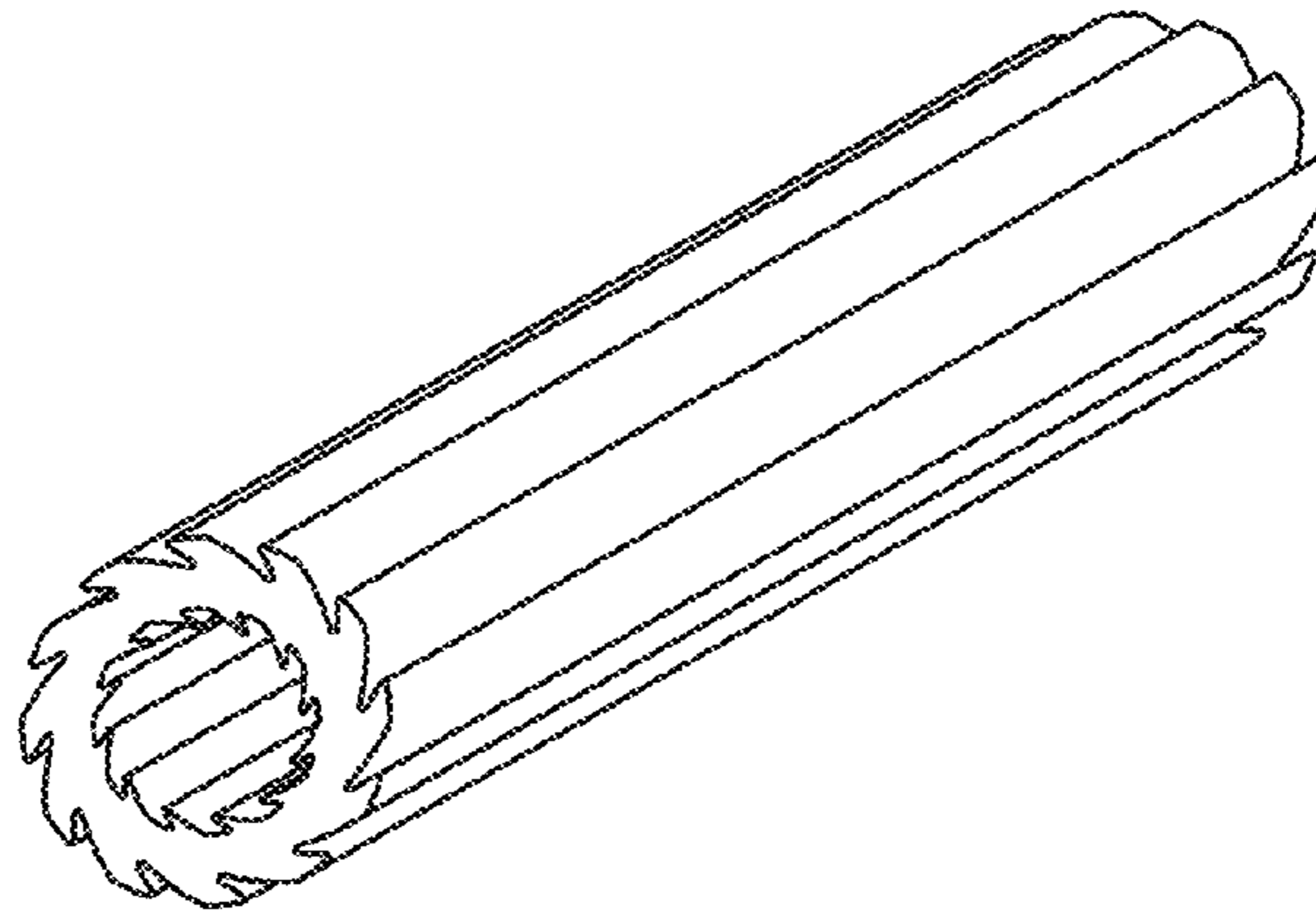


FIG. 2

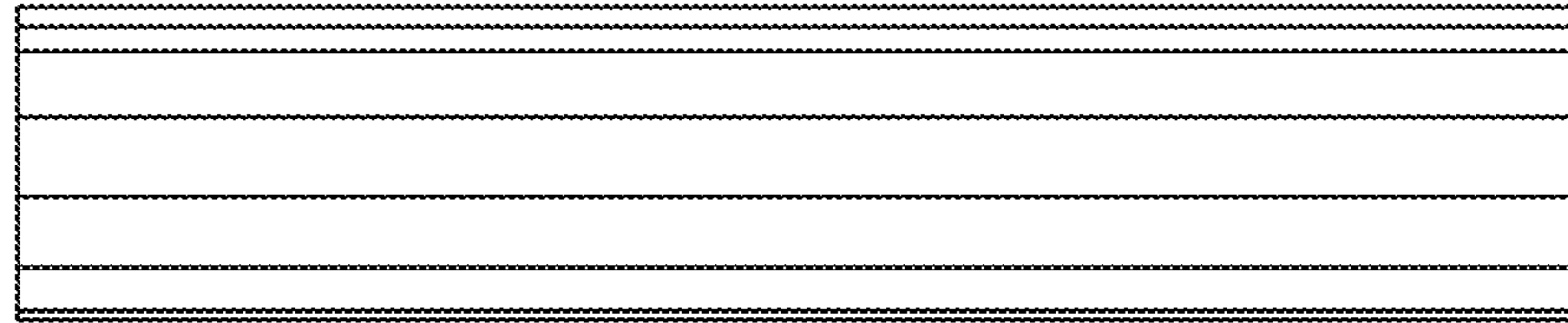


FIG. 3

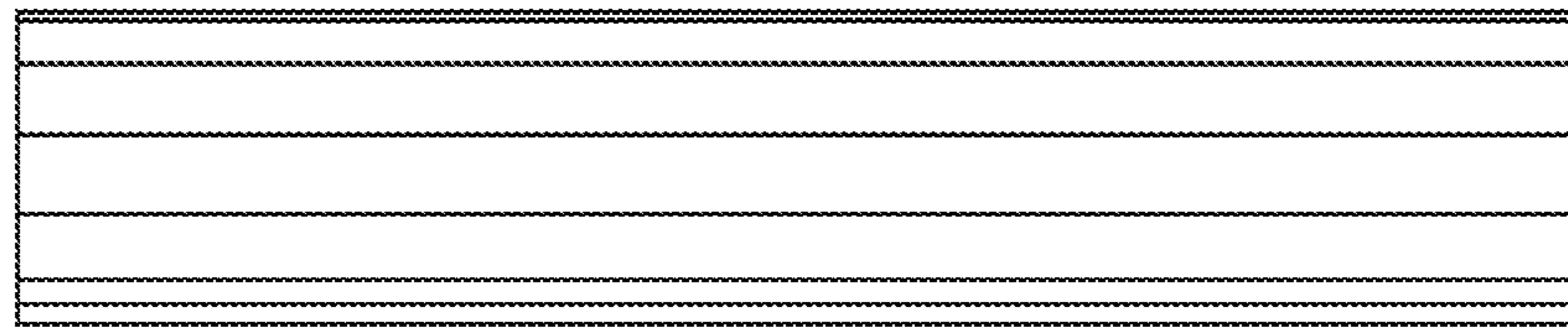


FIG. 4



FIG. 5

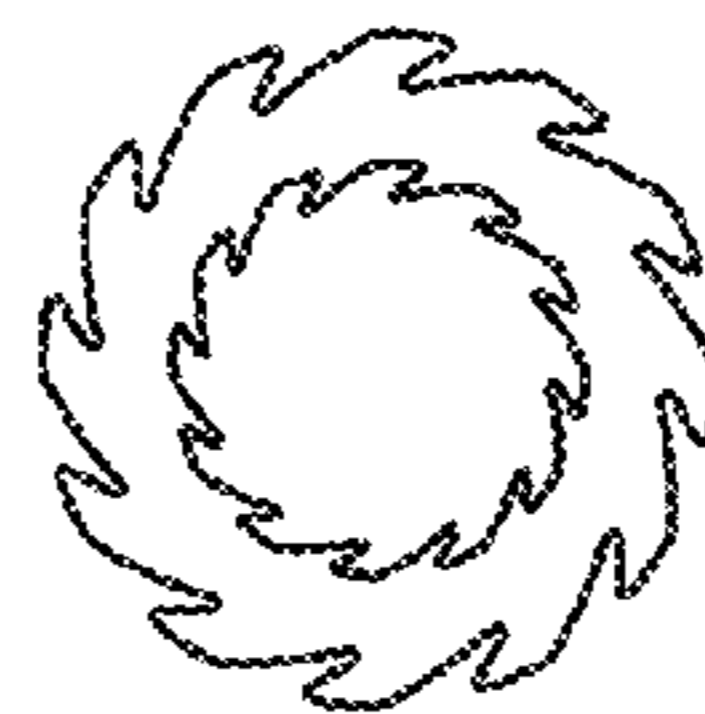


FIG. 6

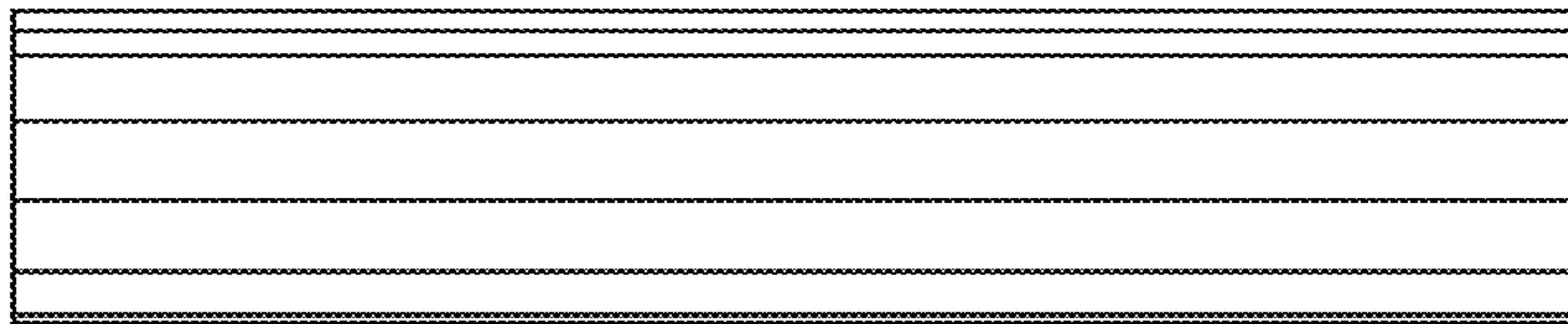


FIG. 7

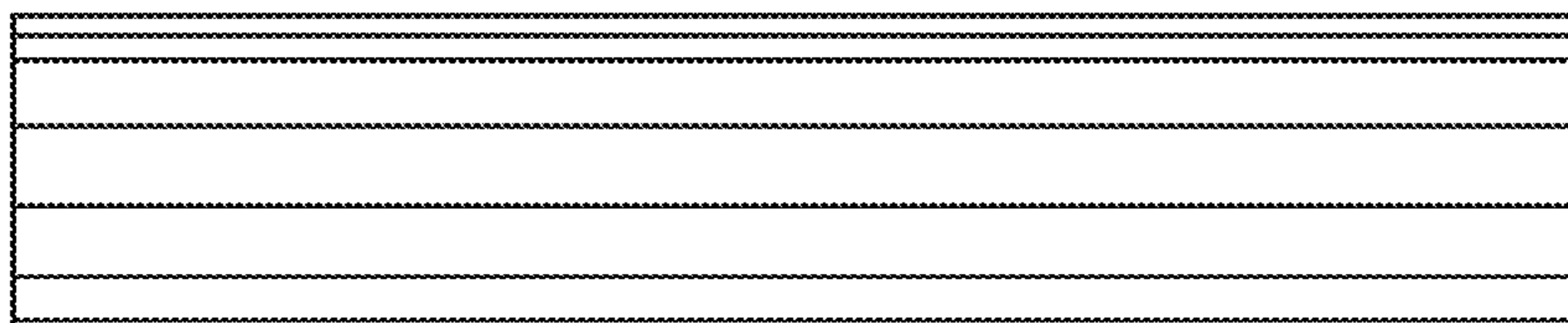


FIG. 8

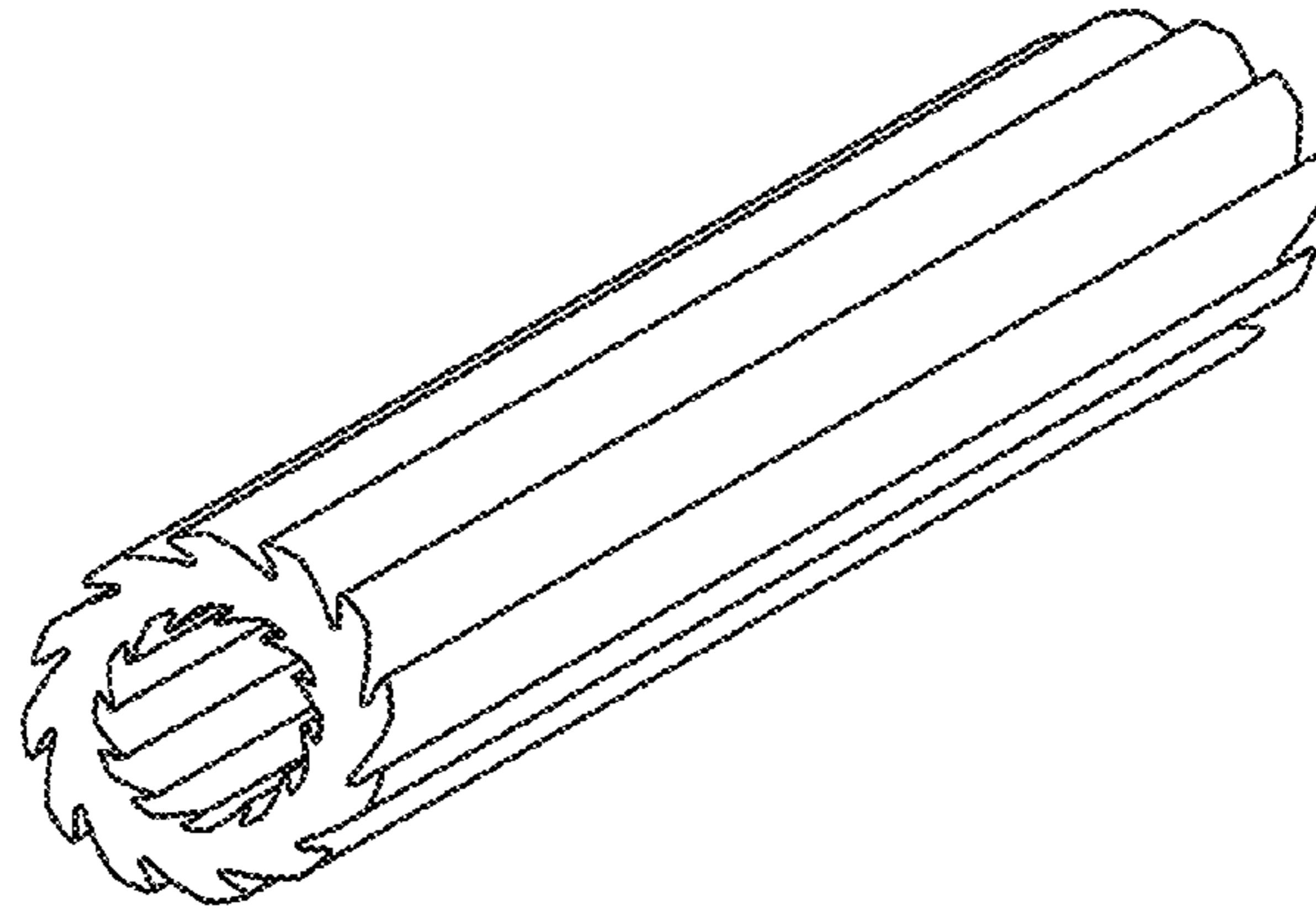


FIG. 9

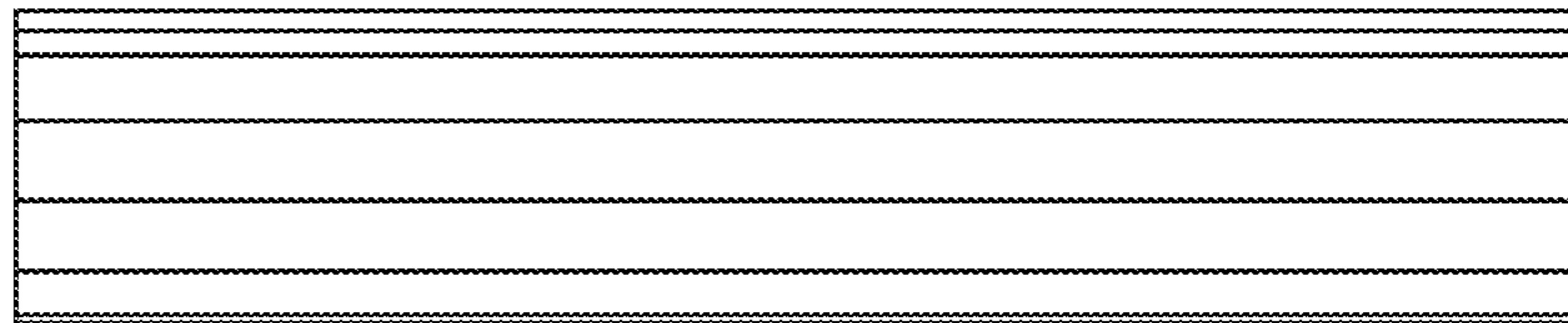


FIG. 10

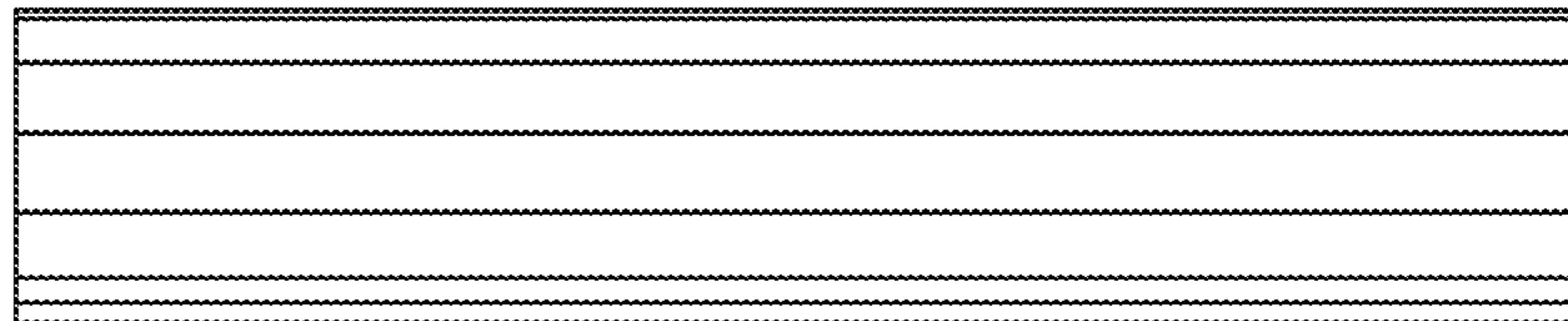


FIG. 11



FIG. 12

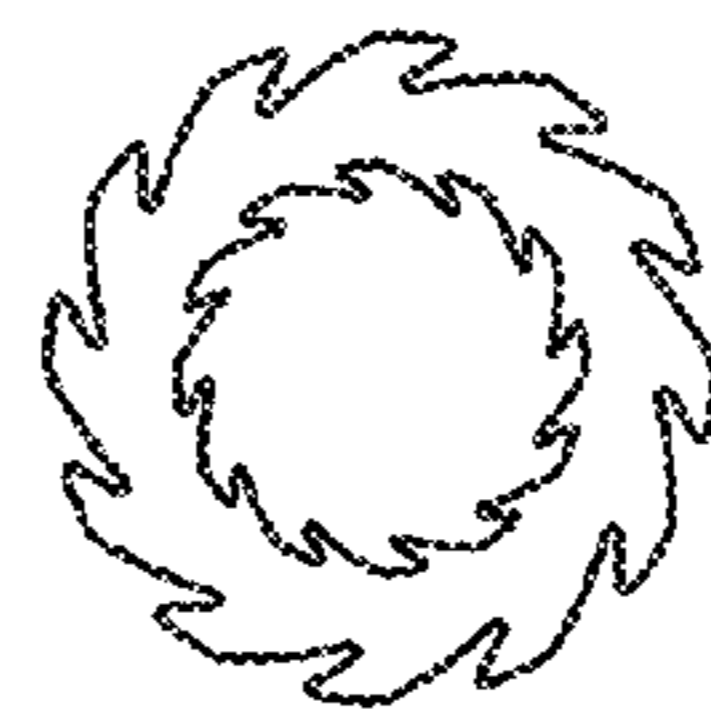


FIG. 13

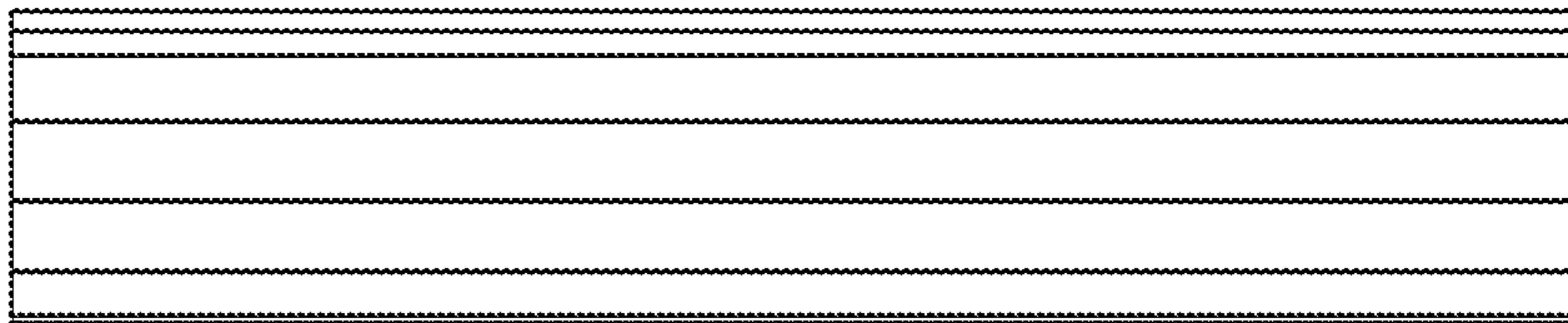


FIG. 14

