



US00D733989S

(12) **United States Design Patent**
Berkshire

(10) **Patent No.:** **US D733,989 S**

(45) **Date of Patent:** **** Jul. 7, 2015**

(54) **MATTRESS CARRIER**

(71) Applicant: **Glen Berkshire**, Harrisonburg, VA (US)

(72) Inventor: **Glen Berkshire**, Harrisonburg, VA (US)

(**) Term: **14 Years**

(21) Appl. No.: **29/463,636**

(22) Filed: **Jan. 22, 2014**

(51) **LOC (10) Cl.** **12-05**

(52) **U.S. Cl.**
USPC **D34/28**

(58) **Field of Classification Search**
USPC D34/28; D8/14; 294/1.2, 15, 19.2, 137,
294/153, 26

CPC A61F 9/0061; B65G 7/12; B65G 7/08;
B25B 9/00; A45F 2005/1073; A45F 5/1026
See application file for complete search history.

(56) **References Cited**

U.S. PATENT DOCUMENTS

D284,331 S * 6/1986 O'Toole D3/315
D312,164 S * 11/1990 Pierotti D34/28
D404,985 S * 2/1999 Fredrickson D8/14
D423,309 S * 4/2000 Sirmans D8/14

D434,199 S * 11/2000 Alviso D34/28
D665,963 S * 8/2012 Liljedahl D34/28
D674,981 S * 1/2013 Liljedahl D34/28
D684,443 S * 6/2013 Thompson D8/14
D698,105 S * 1/2014 Huster D30/199
D726,387 S * 4/2015 McBrearty et al. D34/28

* cited by examiner

Primary Examiner — Cynthia Ramirez

(74) *Attorney, Agent, or Firm* — Daniel L. Fitch

(57) **CLAIM**

The ornamental design for a mattress carrier, as shown and described.

DESCRIPTION

FIG. 1 is a top perspective view of a mattress carrier showing the new design;

FIG. 2 is a top view thereof;

FIG. 3 is a bottom view thereof;

FIG. 4 is a right side view thereof;

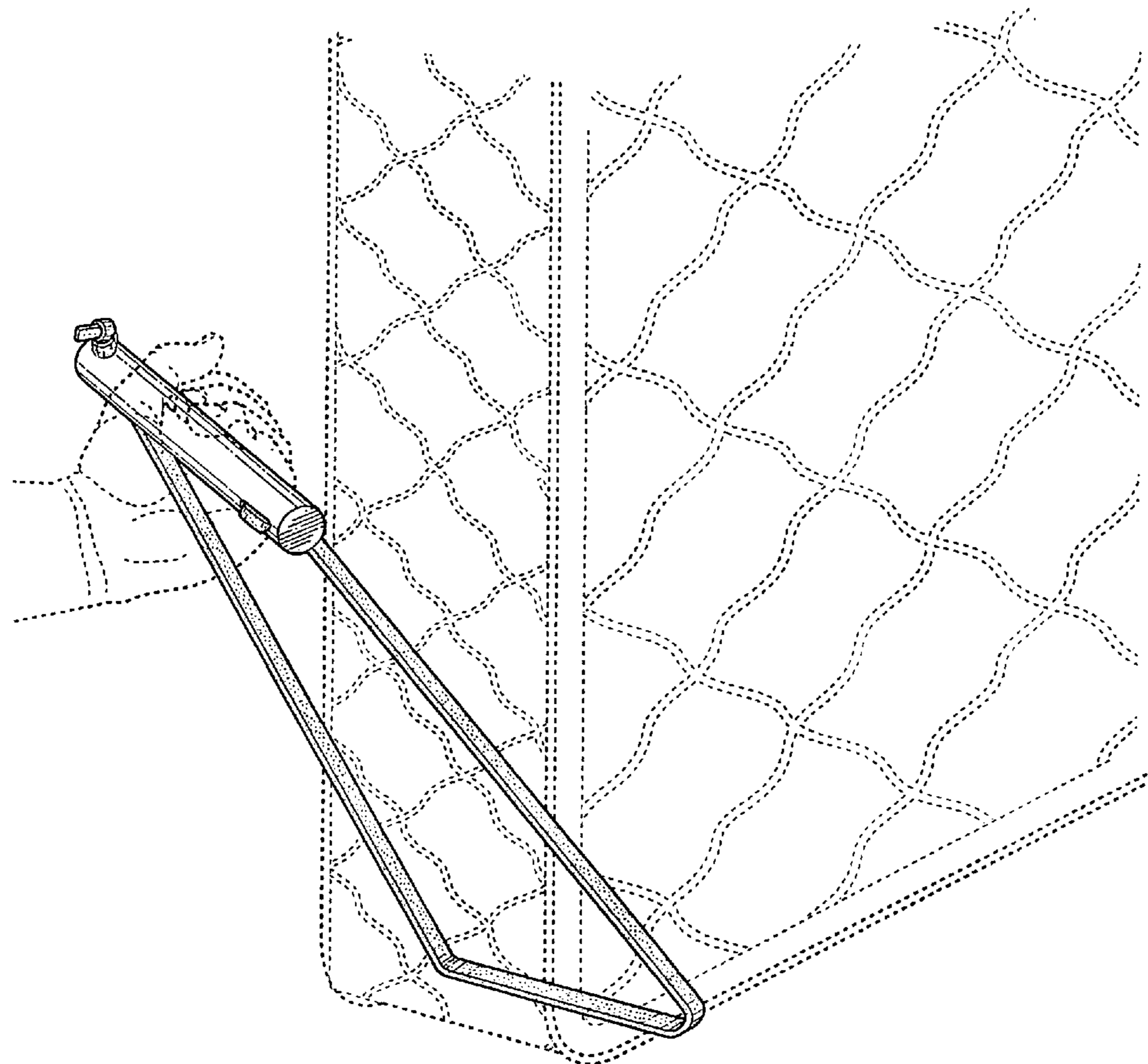
FIG. 5 is a left side view thereof;

FIG. 6 is a back view thereof; and,

FIG. 7 is a front view thereof.

The carrier is shown with a symbolic break in its length for ease of illustration in FIGS. 2-5.

1 Claim, 4 Drawing Sheets



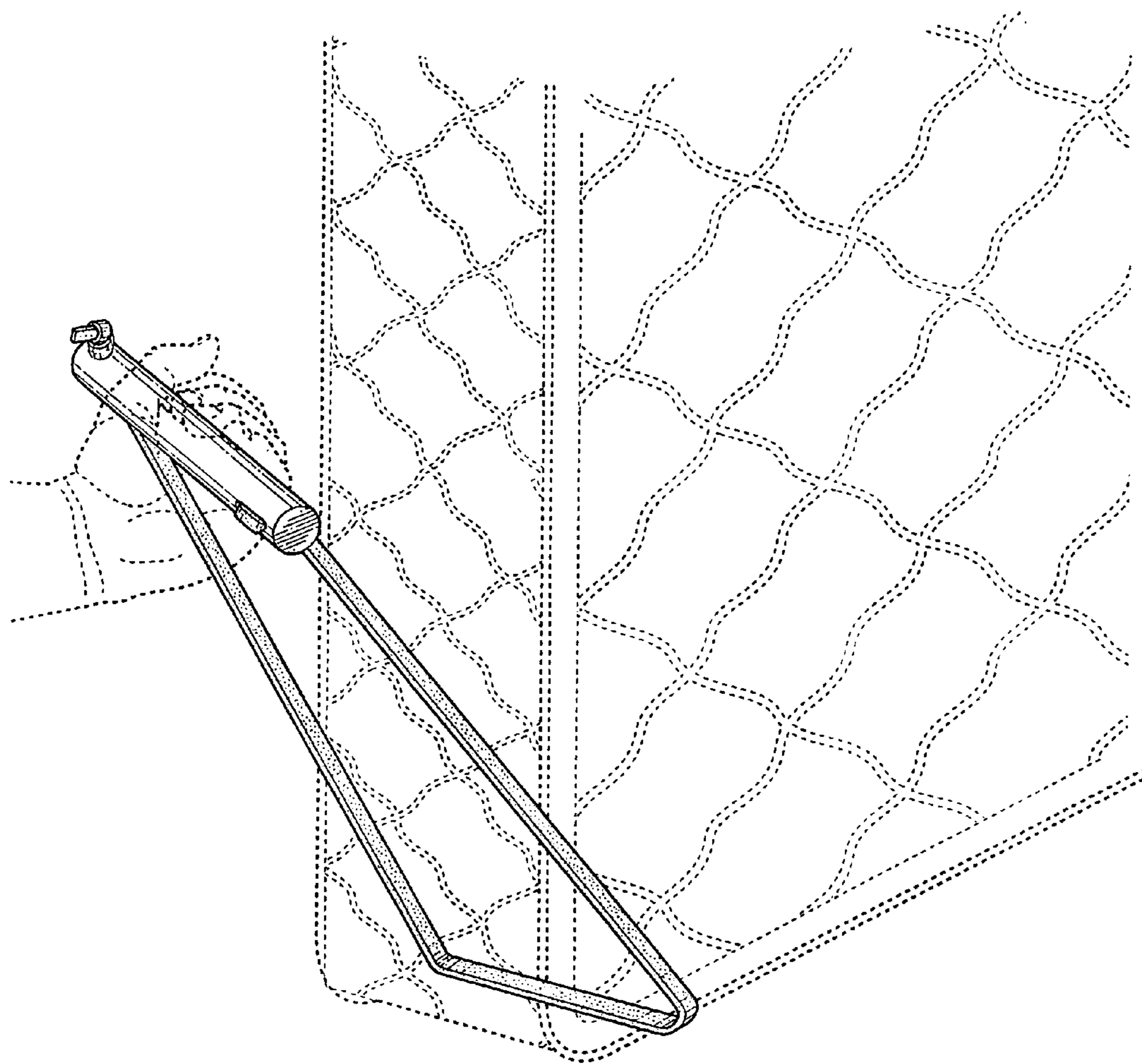


FIG. 1

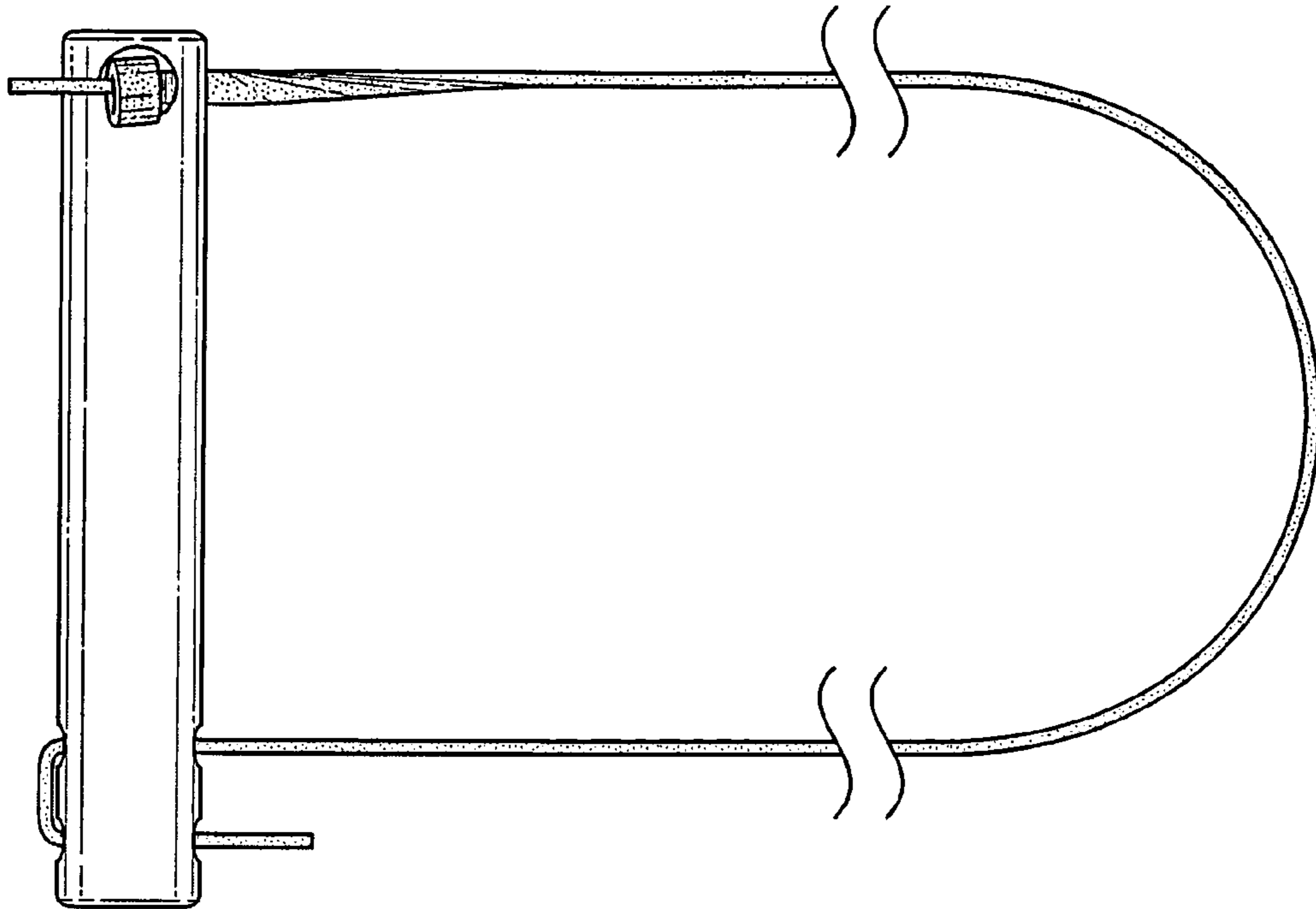


FIG. 2

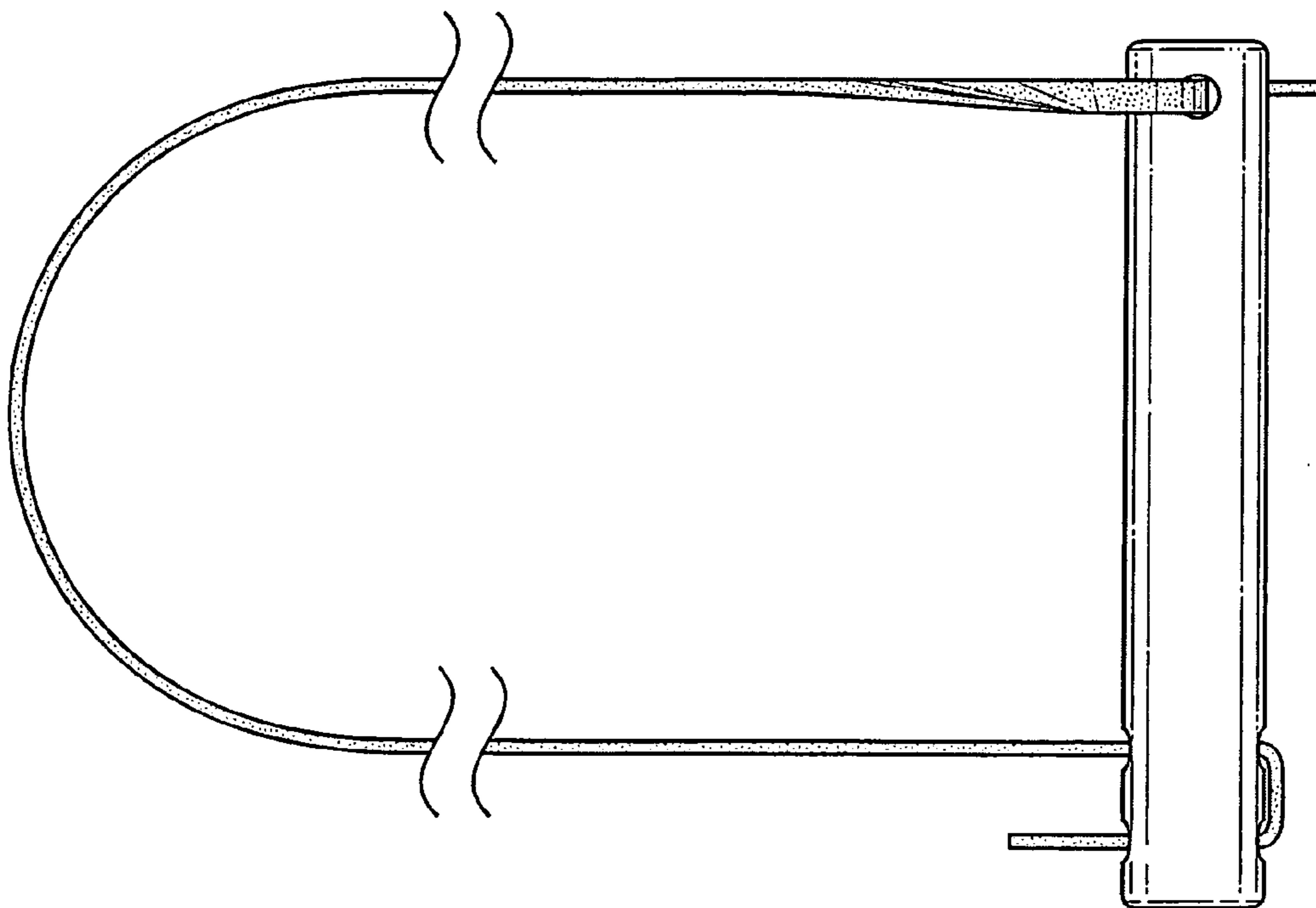


FIG. 3

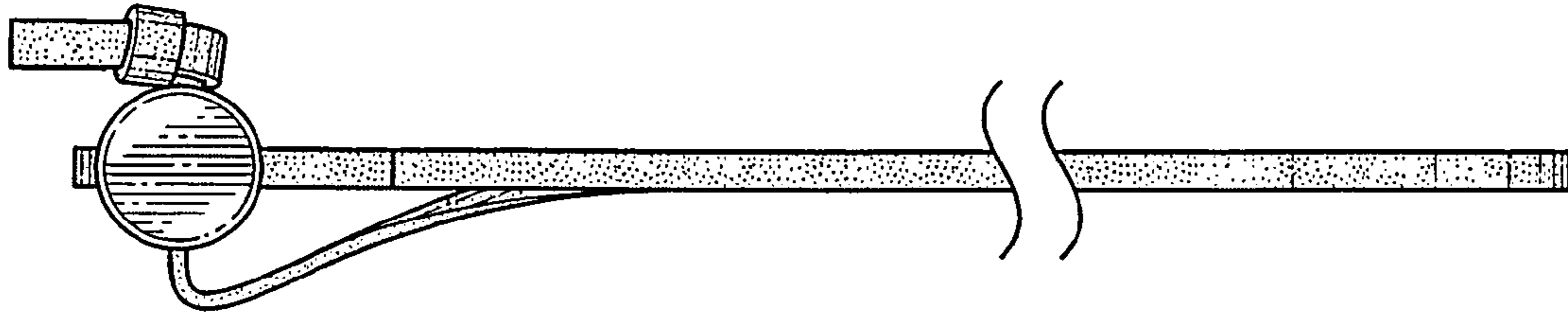


FIG. 4

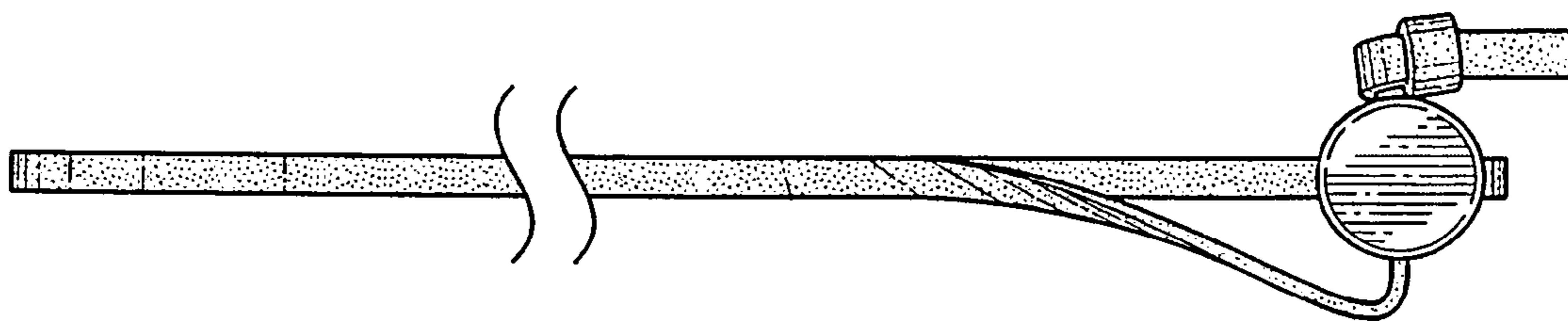


FIG. 5

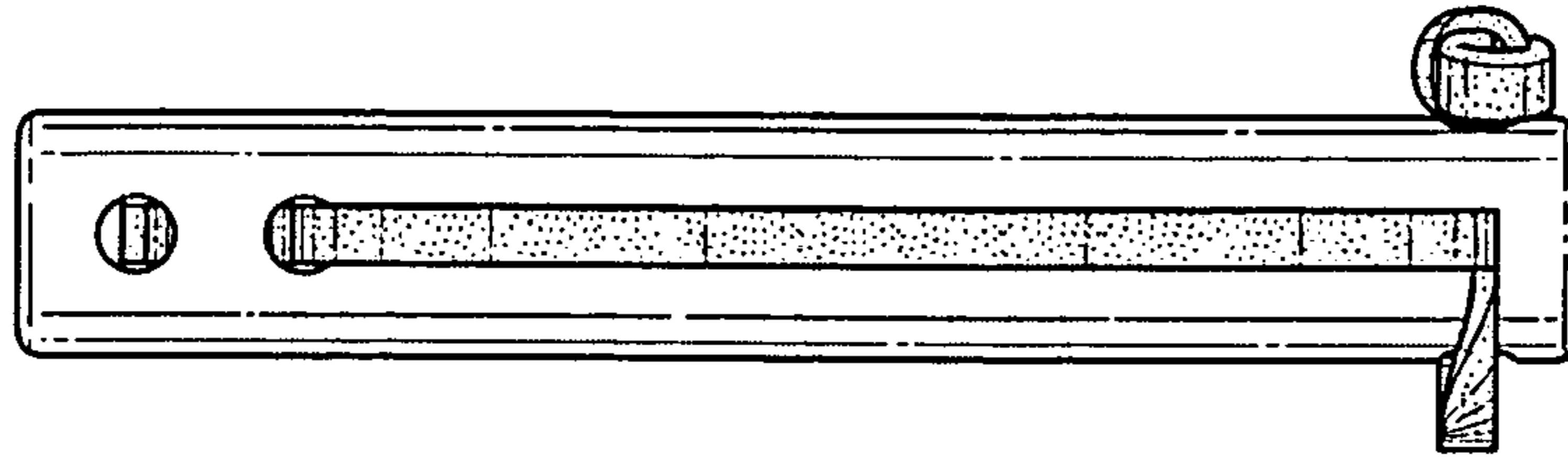


FIG. 6

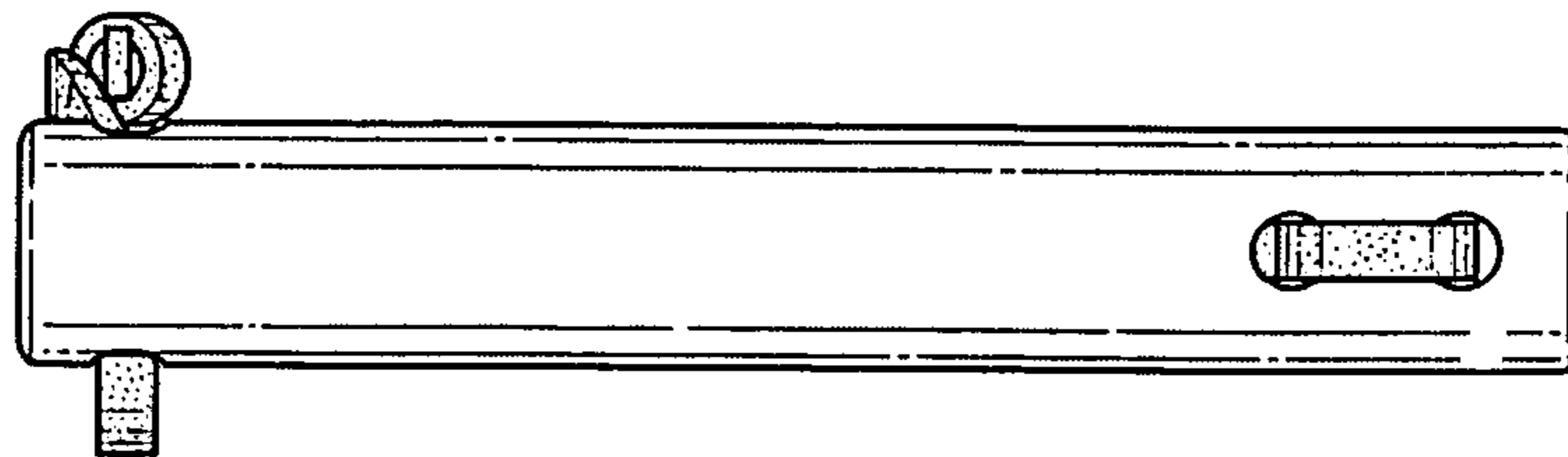


FIG. 7