



US00D733988S

(12) **United States Design Patent**
Raninen et al.

(10) **Patent No.:** **US D733,988 S**

(45) **Date of Patent:** **** Jul. 7, 2015**

(54) **SHELF FOR STORAGE TROLLEYS**

(56) **References Cited**

(71) Applicant: **K. Hartwall Oy Ab**, Soderkulla (FI)

U.S. PATENT DOCUMENTS

(72) Inventors: **Jussi Raninen**, Soderkulla (FI);
Markku Tiilikainen, Soderkulla (FI)

3,953,044	A *	4/1976	Wilson	280/33.996
4,268,049	A *	5/1981	Salvador	280/33.996
4,595,107	A *	6/1986	Welsch	211/187
D304,115	S *	10/1989	Cohn	D34/27
6,450,513	B1 *	9/2002	Bernstein	280/33.992
6,533,297	B2 *	3/2003	Saccani	280/33.995
D588,774	S *	3/2009	Peota et al.	D34/27
D699,414	S *	2/2014	Poplawski	D34/27
D700,762	S *	3/2014	Walter	D34/27
2009/0309322	A1 *	12/2009	Selvig et al.	280/33.996
2010/0307998	A1 *	12/2010	Chen	211/184
2012/0000867	A1 *	1/2012	Saving	211/59.2

(73) Assignee: **K. Hartwell Oy Ab**, Soderkulla (FI)

(**) Term: **14 Years**

(21) Appl. No.: **29/487,352**

* cited by examiner

(22) Filed: **Apr. 8, 2014**

Primary Examiner — Cynthia Ramirez

(30) **Foreign Application Priority Data**

(74) *Attorney, Agent, or Firm* — McCormick, Paulding & Huber LLP

Oct. 11, 2013 (EP) 002324830

(51) **LOC (10) Cl.** **12-02**

(57) **CLAIM**

The ornamental design for a shelf for storage trolleys, as shown and described.

(52) **U.S. Cl.**

DESCRIPTION

USPC **D34/27**

(58) **Field of Classification Search**

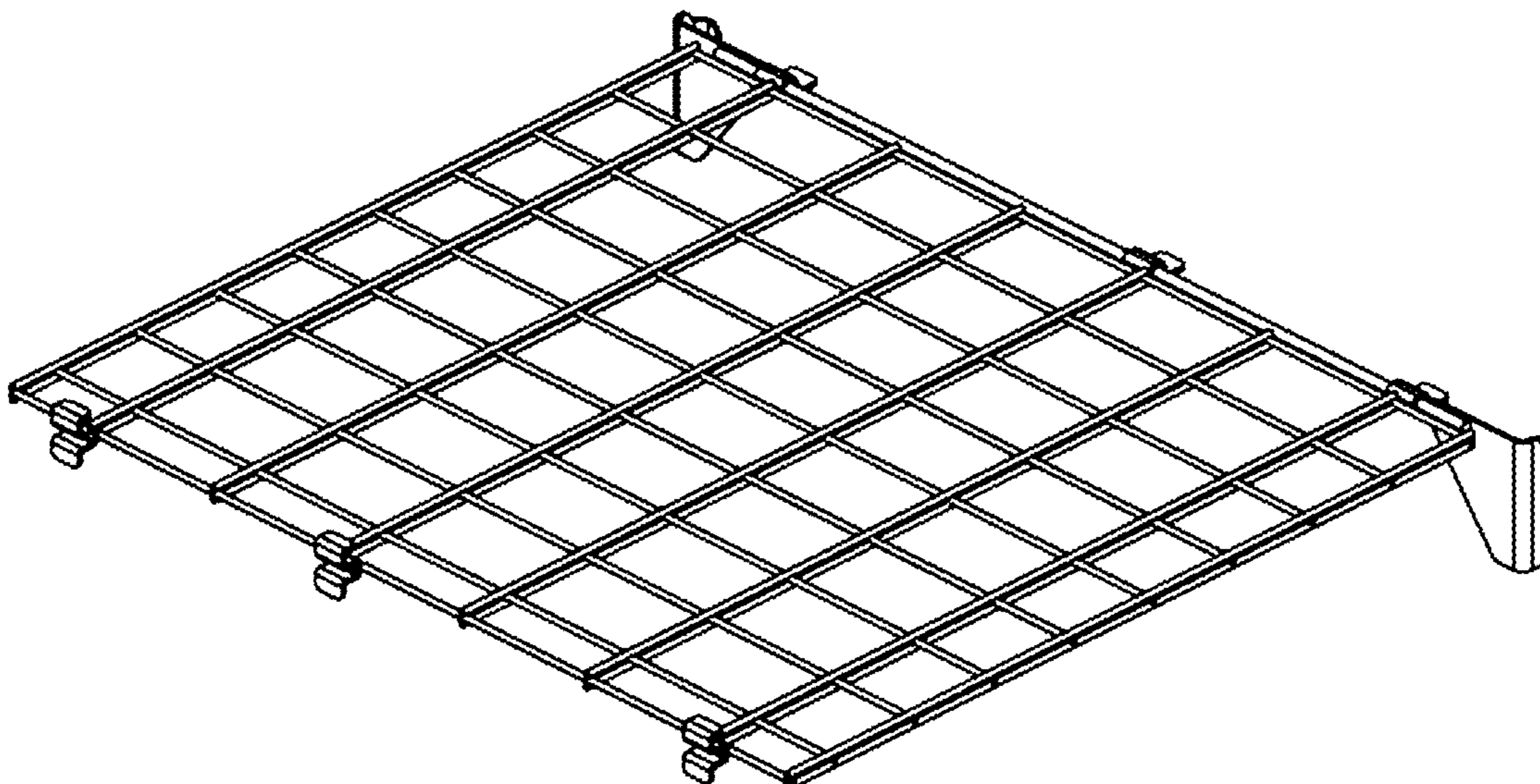
USPC D34/12-27; 280/33.992, 33.996,
280/33.997, 35; 211/59.2

CPC B62B 3/14; B62B 3/1476; B62B 3/1408;
B62B 3/1488; B62B 3/1472; B62B 3/02;
B62B 3/182; B62B 3/186; A47F 5/08; A47F
5/0018; A47F 5/0031; A47F 5/0043; A47F
5/14

FIG. 1 is a front, top, right-hand side perspective view of a shelf for storage trolleys comprising a new, original and ornamental design;
FIG. 2 is a rear, top, left-hand side perspective view thereof;
FIG. 3 is a top view thereof;
FIG. 4 is a bottom view thereof;
FIG. 5 is a right-hand side view thereof;
FIG. 6 is a front view thereof;
FIG. 7 is a rear view thereof; and,
FIG. 8 is a left-hand side view thereof.

See application file for complete search history.

1 Claim, 6 Drawing Sheets



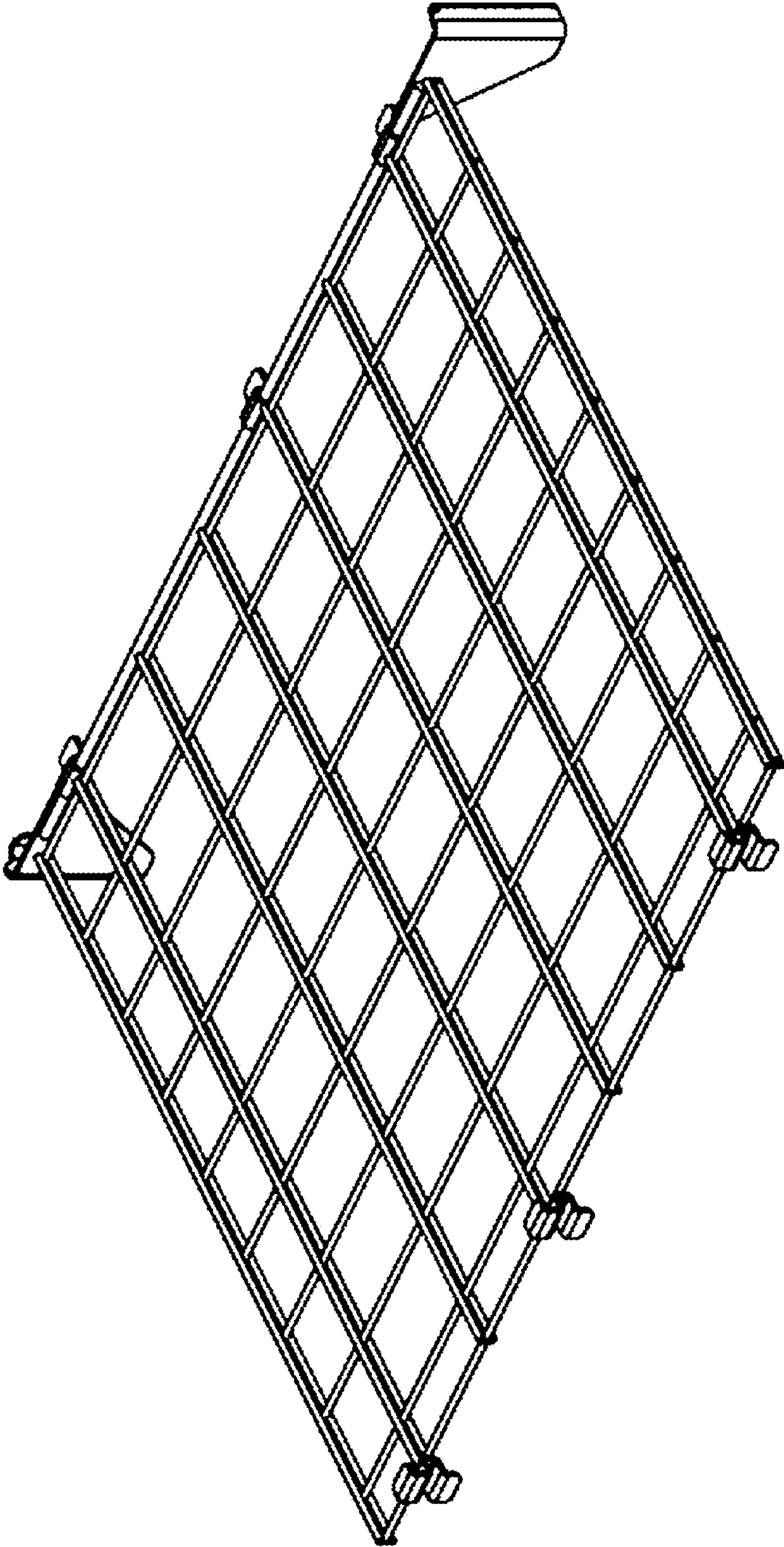


FIG. 1

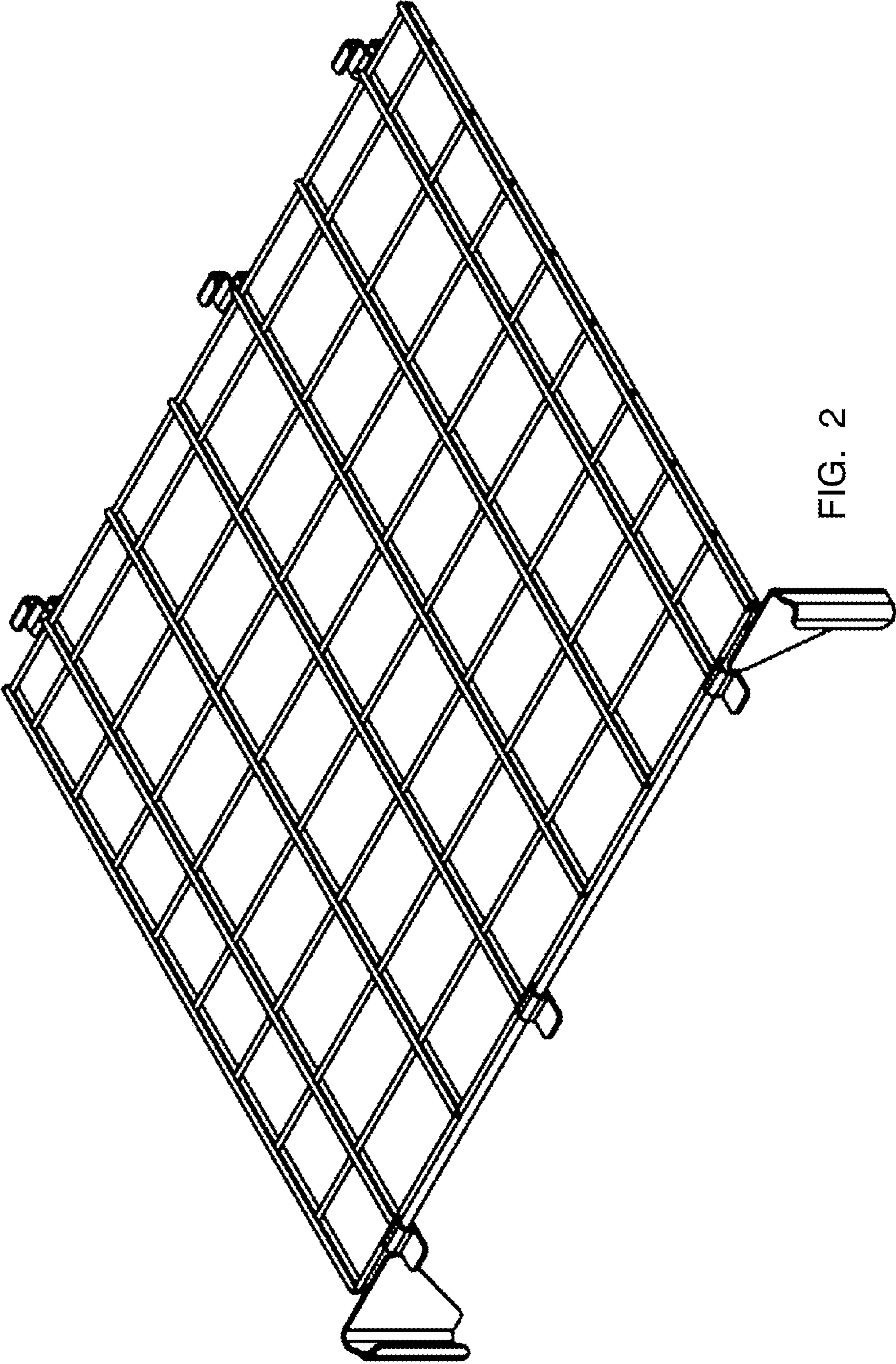


FIG. 2

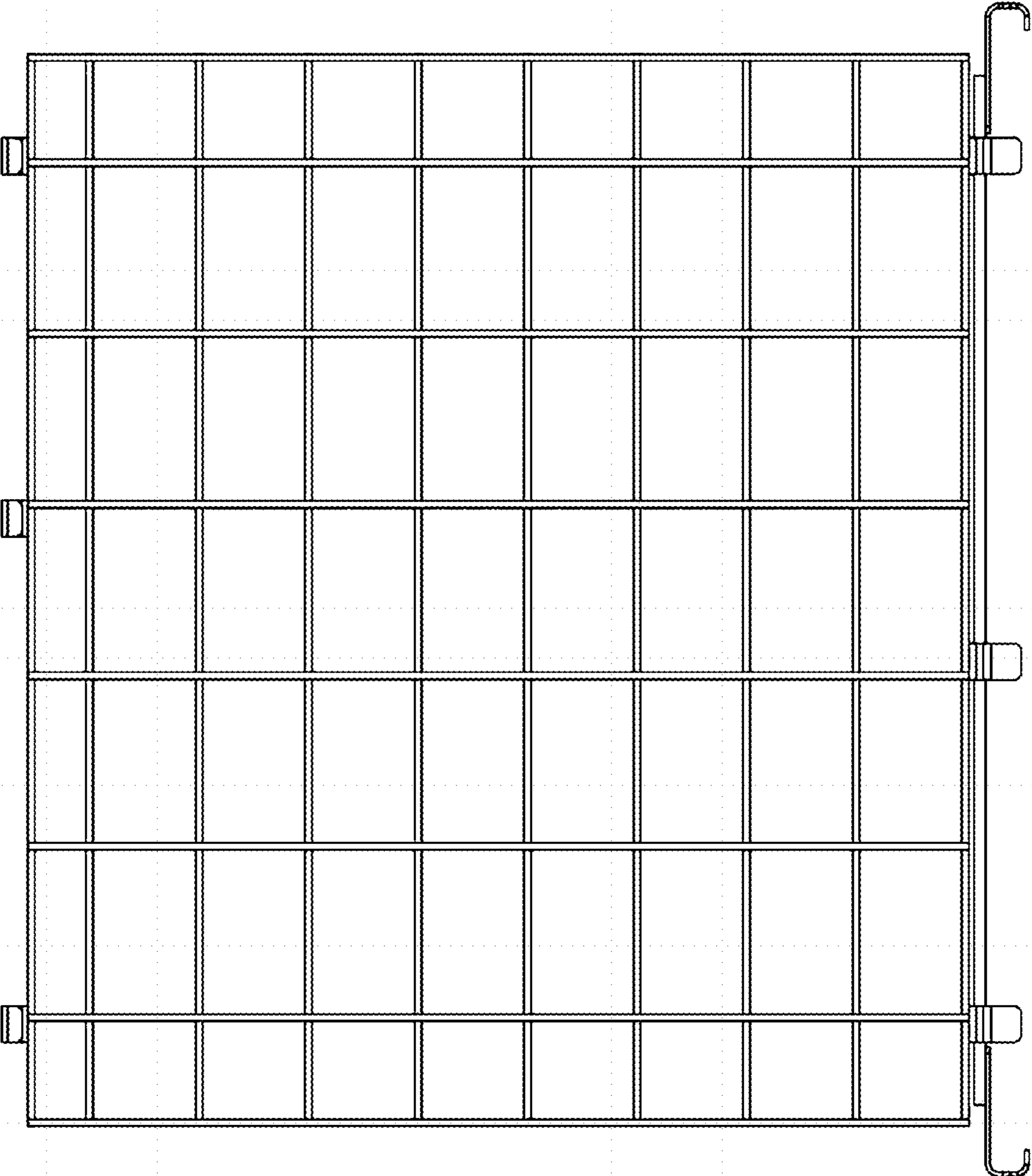


FIG. 3

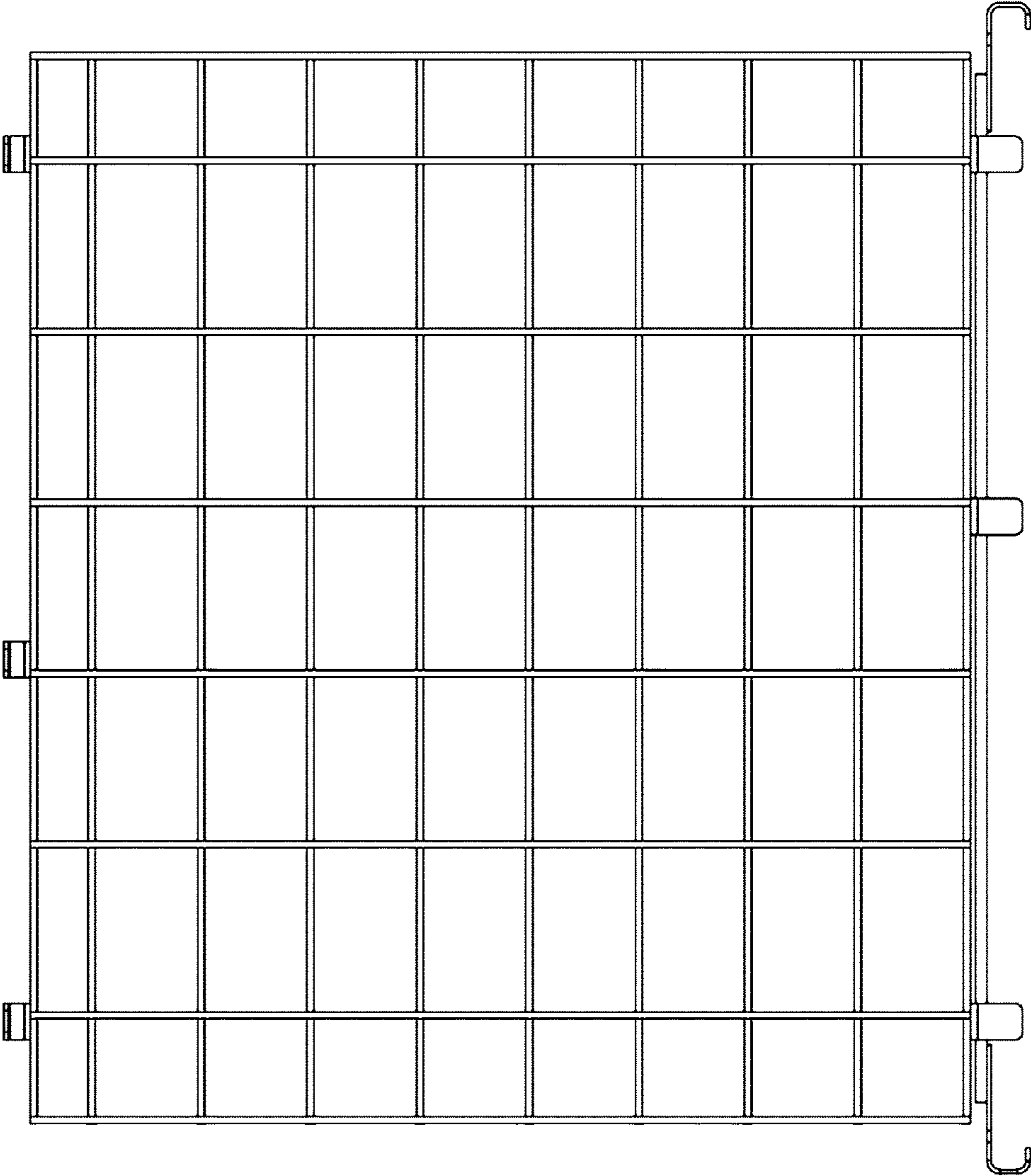


FIG. 4

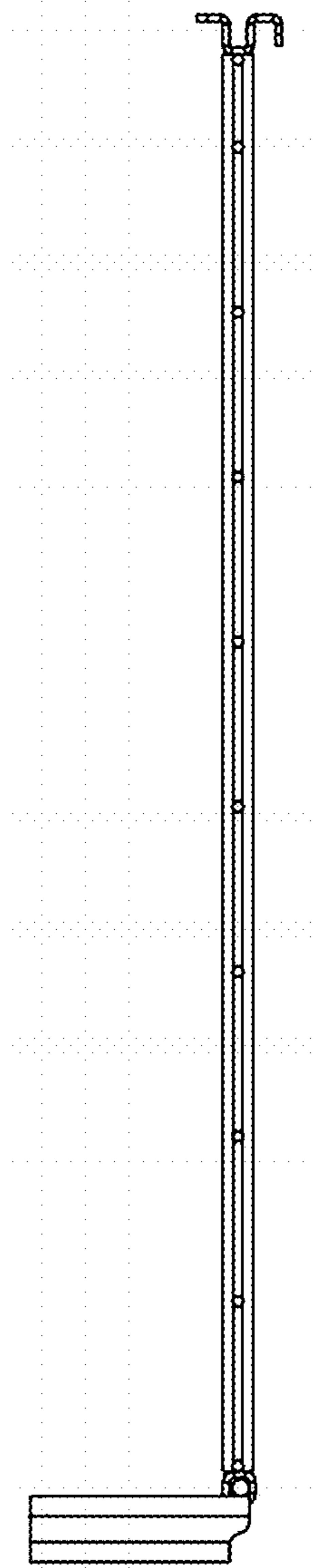


FIG. 5

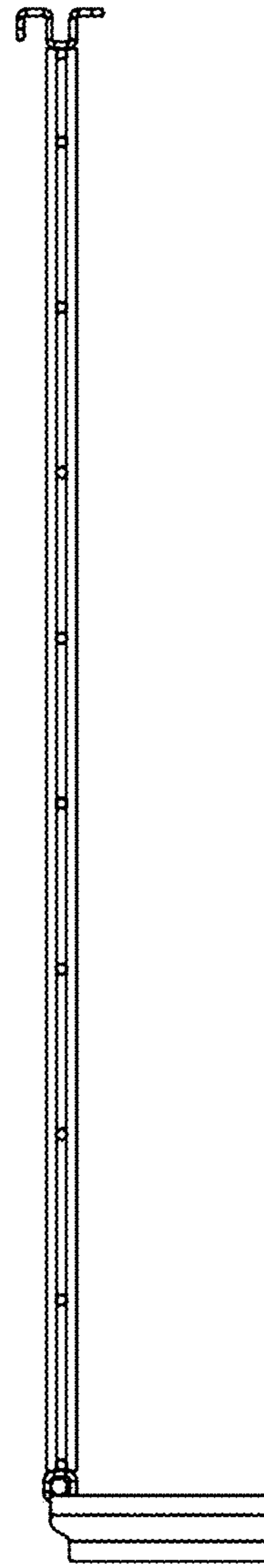


FIG. 8

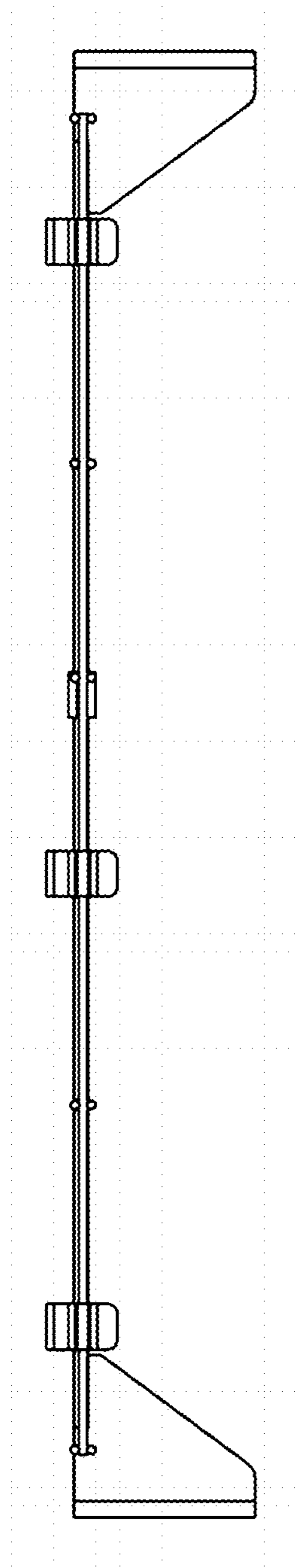


FIG. 6

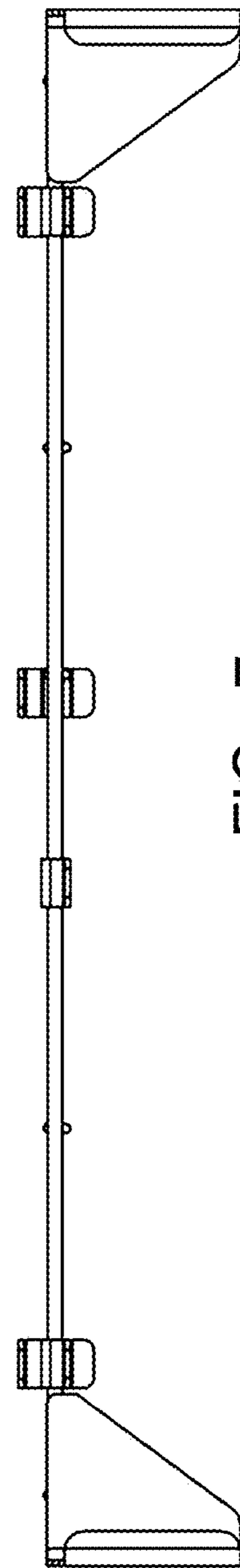


FIG. 7