

US00D733984S

(12) **United States Design Patent**
Tsai

(10) **Patent No.:** **US D733,984 S**

(45) **Date of Patent:** **** Jul. 7, 2015**

(54) **LAUNDRY SORTER CART**

(71) Applicant: **Tsung-Yu Tsai**, Rowland Heights, CA (US)

(72) Inventor: **Tsung-Yu Tsai**, Rowland Heights, CA (US)

(73) Assignee: **Pretty Star Store, LLC**, Rowland Heights, CA (US)

(**) Term: **14 Years**

(21) Appl. No.: **29/484,781**

(22) Filed: **Mar. 12, 2014**

(51) **LOC (10) Cl.** **07-07**

(52) **U.S. Cl.**
USPC **D32/37**

(58) **Field of Classification Search**
USPC D32/35, 37, 53; D3/201, 304, 305, 306, D3/307, 308, 309, 312, 314; D9/420, 423, D9/501, 721, 742; D34/5, 6, 11; 206/292, 206/299; 220/752; 248/95, 97, 98
See application file for complete search history.

(56) **References Cited**

U.S. PATENT DOCUMENTS

2,625,973	A *	1/1953	Weldon et al.	206/459.5
3,388,882	A *	6/1968	Burroughs et al.	248/97
D279,038	S *	5/1985	Thompson, Jr.	D32/37
4,585,283	A *	4/1986	Redmon et al.	220/495.07
4,588,154	A *	5/1986	Basore	248/99

5,154,359	A *	10/1992	Junta et al.	280/79.2
5,967,342	A *	10/1999	Steffine	D32/37
6,691,879	B1 *	2/2004	Alvarez	211/175
8,910,813	B1 *	12/2014	Barre et al.	220/23.83
2006/0157358	A1 *	7/2006	Heidel	206/278
2006/0255213	A1 *	11/2006	Lawson et al.	248/95
2012/0241398	A1 *	9/2012	Lam	211/85.3
2014/0217247	A1 *	8/2014	Kemmer et al.	248/98

* cited by examiner

Primary Examiner — George D Kirschbaum

Assistant Examiner — Natasha Vujcic

(74) *Attorney, Agent, or Firm* — QuickPatents; Kevin Prince

(57) **CLAIM**

I claim the ornamental design for a laundry sorter cart, as shown and described.

DESCRIPTION

FIG. 1 is a perspective view of a laundry sorter cart, showing our new design with laundry bags omitted from a frame for clarity of illustration;

FIG. 2 is a perspective view thereof with the laundry bags included;

FIG. 3 is a front elevational view of FIG. 2, the rear elevational view being a mirror image thereof;

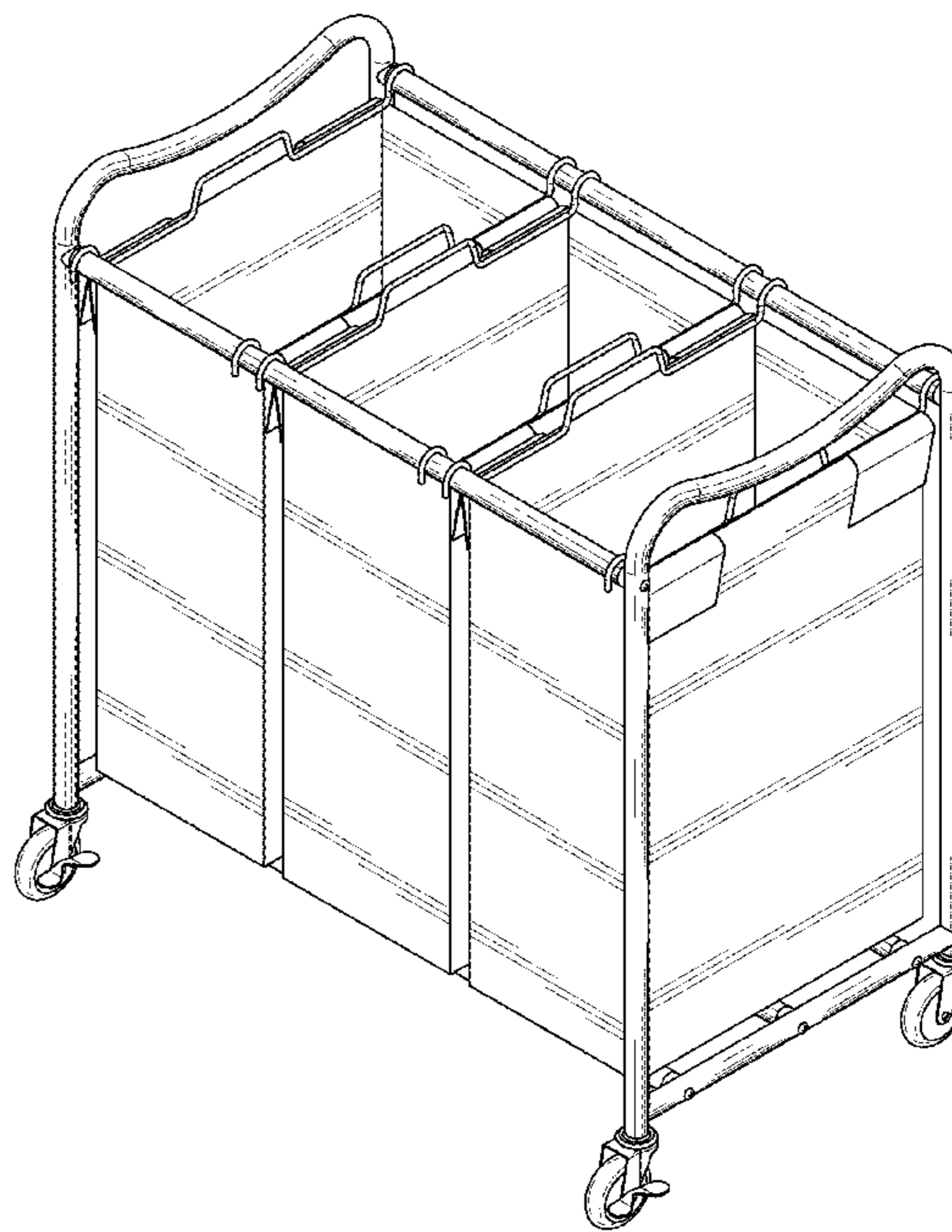
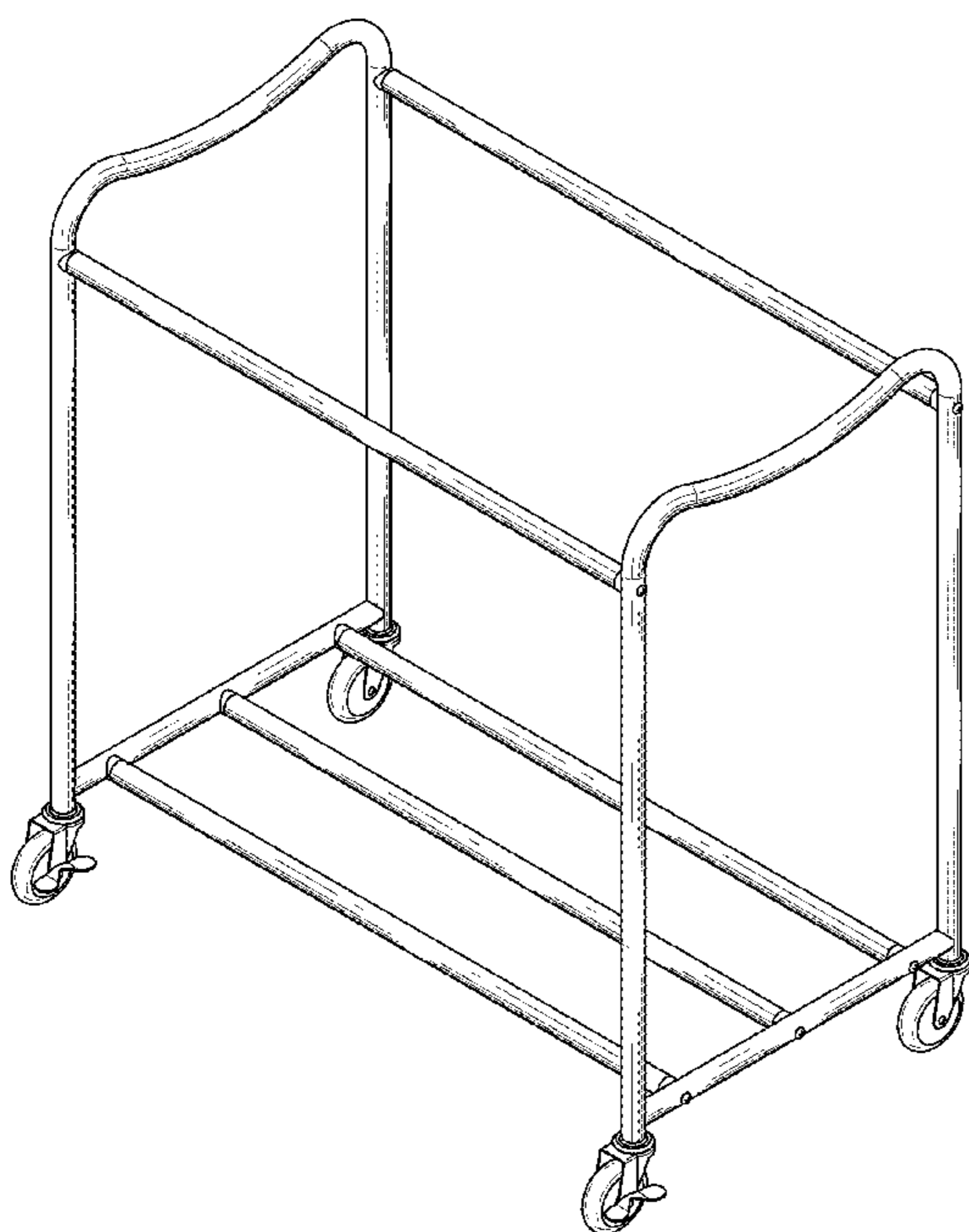
FIG. 4 is a left-side elevational view of FIG. 2;

FIG. 5 is a right-side elevational view of FIG. 2;

FIG. 6 is a top plan view of FIG. 2; and,

FIG. 7 is a bottom plan view of FIG. 2.

1 Claim, 5 Drawing Sheets



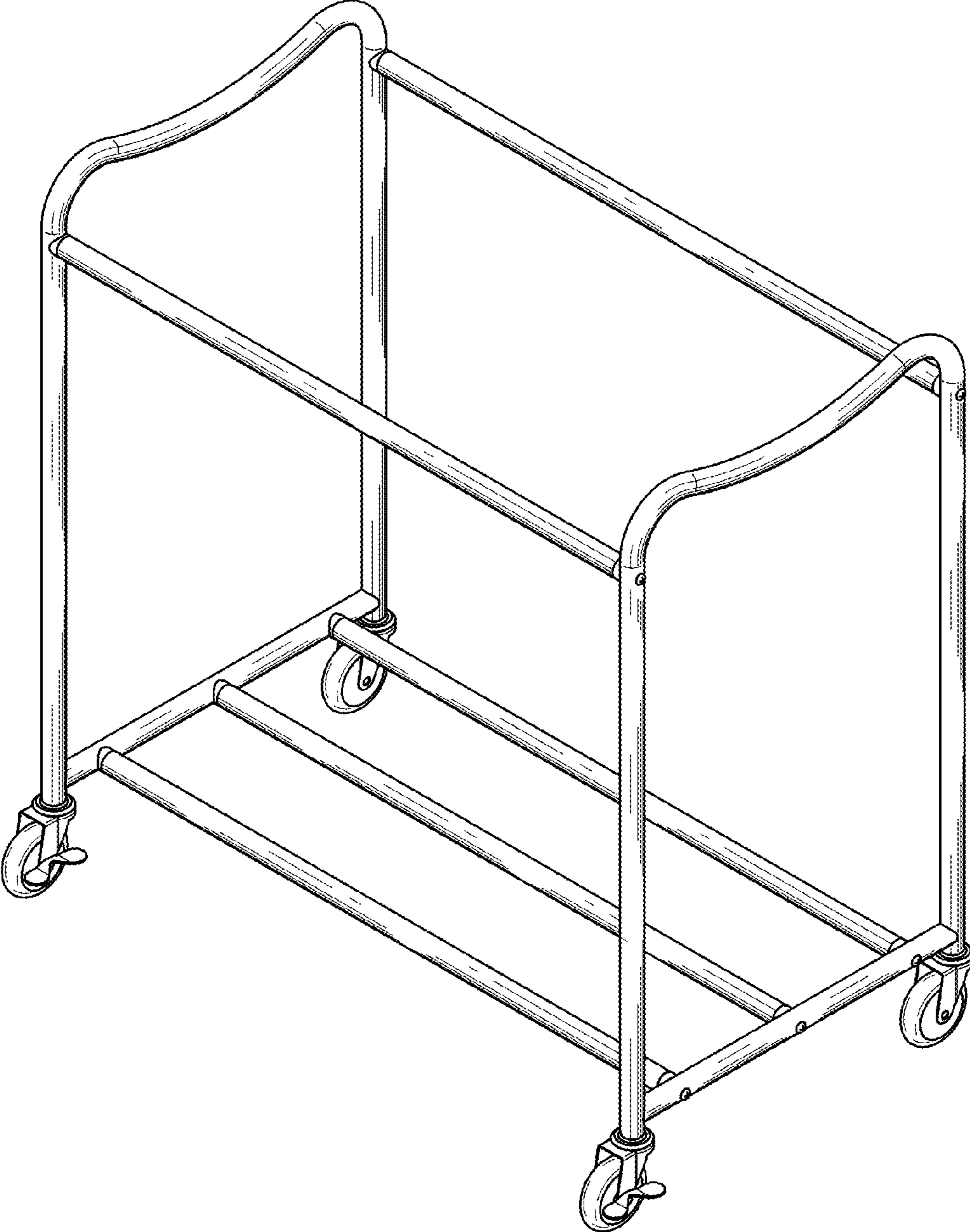


FIG. 1



FIG. 2

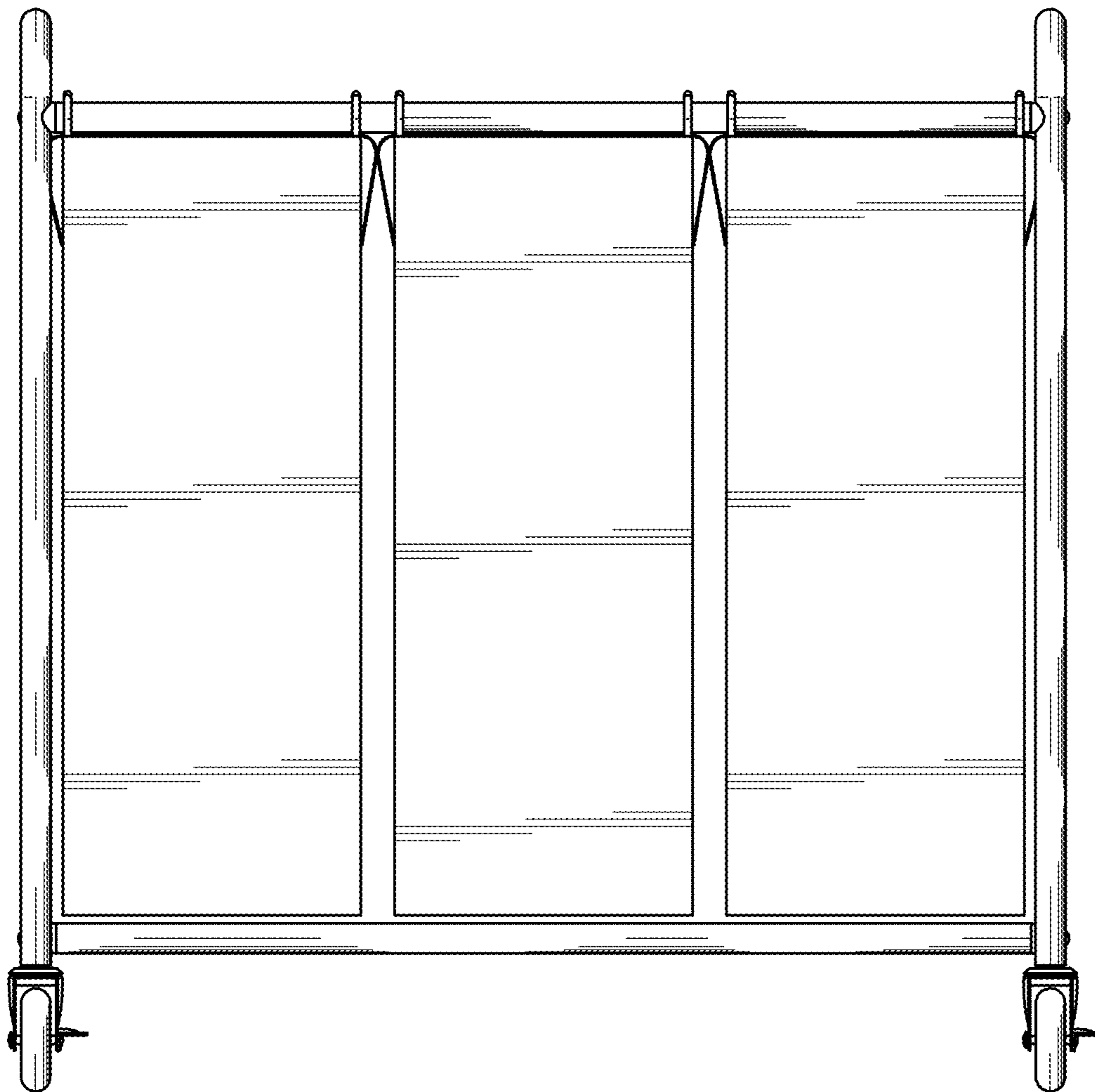


FIG. 3

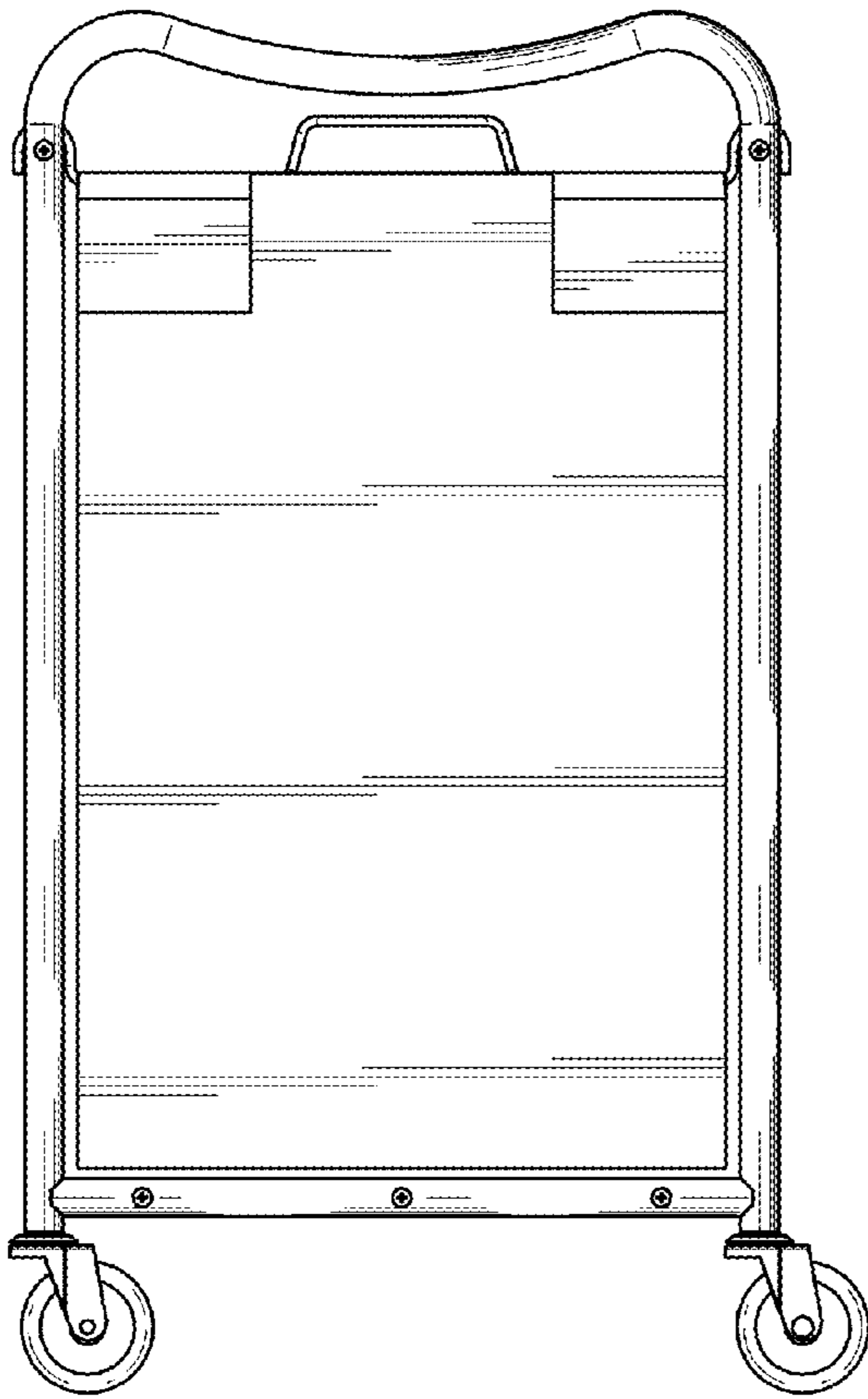


FIG. 4

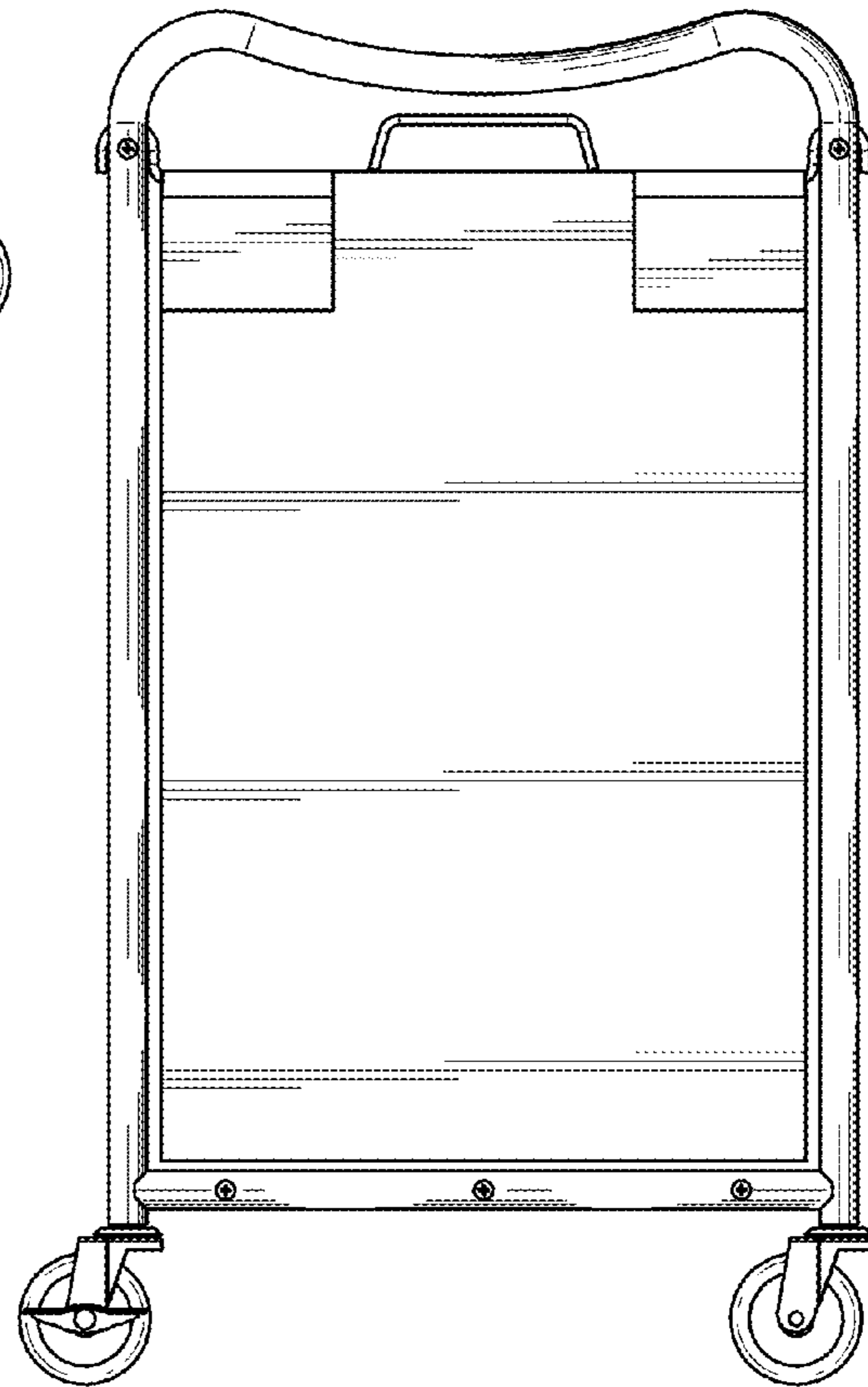


FIG. 5

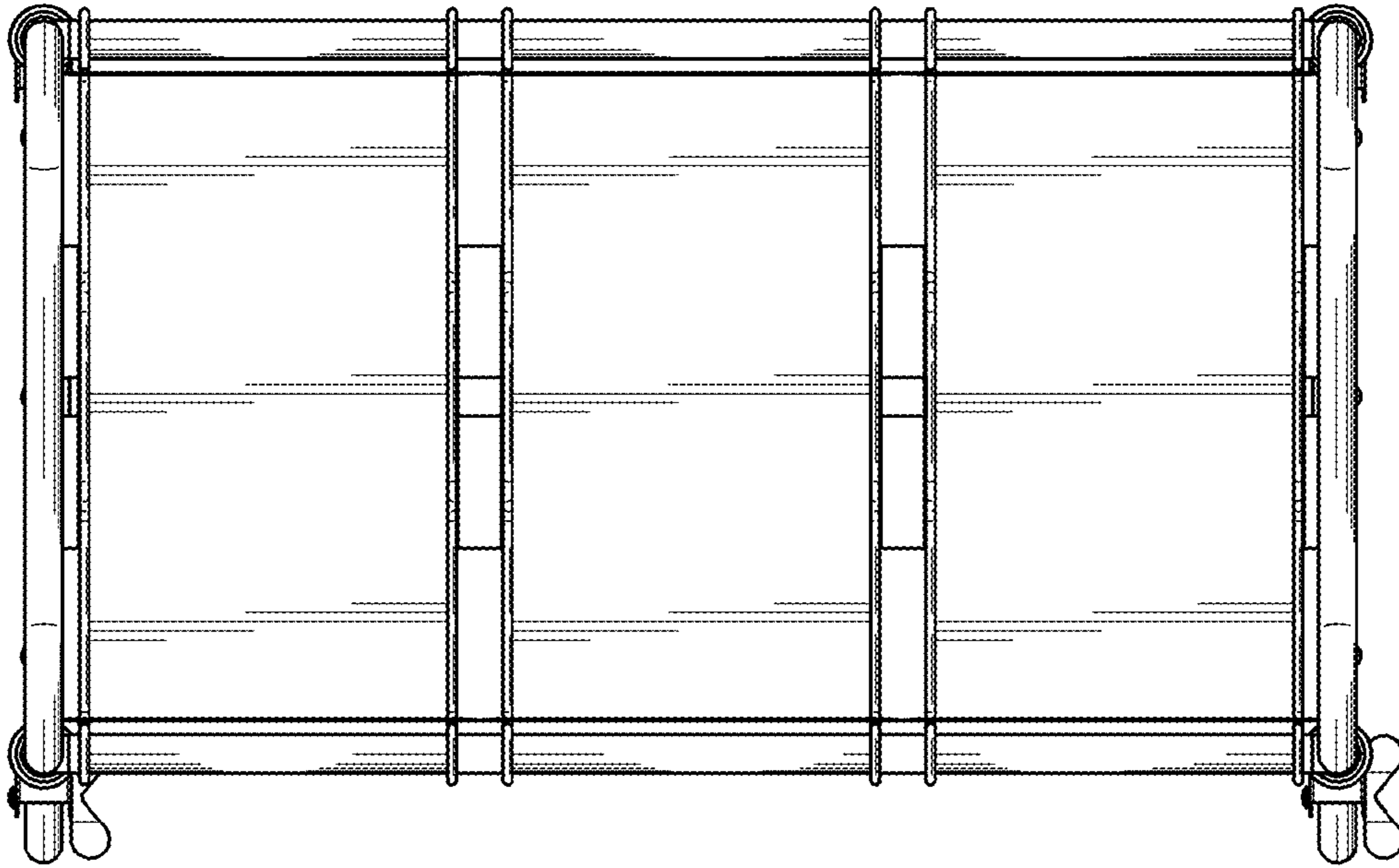


FIG. 6

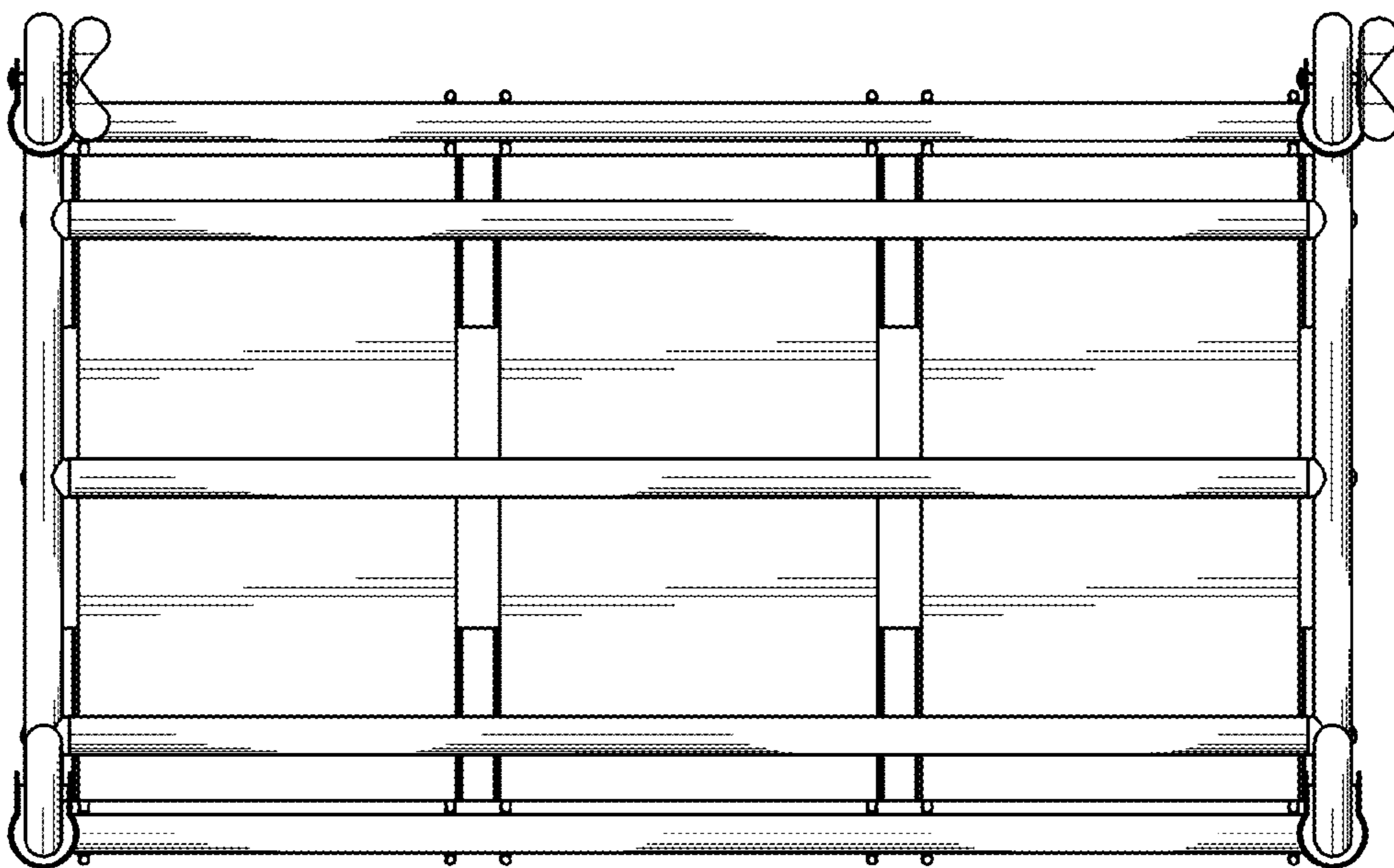


FIG. 7