

US00D733982S

(12) **United States Design Patent**  
**Cui**

(10) **Patent No.:** **US D733,982 S**  
(45) **Date of Patent:** **\*\* Jul. 7, 2015**

- (54) **DUST BLOWING MACHINE**
- (71) Applicant: **Foshan Naibao Electric Co., Ltd.,**  
Guangdong (CN)
- (72) Inventor: **Jiayao Cui,** Guangdong (CN)
- (73) Assignee: **Foshan Naibao Electric Co., Ltd. (CN)**
- (\*\*) Term: **14 Years**
- (21) Appl. No.: **29/507,916**
- (22) Filed: **Oct. 31, 2014**
- (51) **LOC (10) Cl.** ..... **15-05**
- (52) **U.S. Cl.**  
USPC ..... **D32/17**
- (58) **Field of Classification Search**  
USPC ..... D32/17-18, 31, 34, 15-16, 1, 22;  
D30/158  
CPC ..... A47L 5/24; A47L 5/362; A47L 15/28;  
A47L 9/325; A47L 9/2857; A47L 9/1427;  
A47L 15/14; B26B 19/44; B60S 3/002;  
F28G 3/166  
See application file for complete search history.

- (56) **References Cited**  
U.S. PATENT DOCUMENTS
- |           |     |         |                 |         |
|-----------|-----|---------|-----------------|---------|
| 4,718,140 | A * | 1/1988  | Johnson         | 15/330  |
| D315,232  | S * | 3/1991  | Belanger et al. | D32/4   |
| D319,902  | S * | 9/1991  | Russell         | D32/15  |
| 5,924,166 | A * | 7/1999  | Jones et al.    | 15/330  |
| 5,938,410 | A * | 8/1999  | Lee             | 417/234 |
| D452,051  | S * | 12/2001 | Antonio         | D32/17  |
| D620,208  | S * | 7/2010  | Mangano         | D32/17  |

D656,693	S *	3/2012	Lavy	D32/17
D668,822	S *	10/2012	Tinius	D32/15
D702,406	S *	4/2014	Mu	D32/17
D708,801	S *	7/2014	Israel	D32/17
2007/0246579	A1 *	10/2007	Blateri	239/599
2009/0038108	A1 *	2/2009	Shaanan et al.	15/344
2014/0237760	A1 *	8/2014	Conrad	15/344

**OTHER PUBLICATIONS**

“Metro DataVac Electric Duster 500” retrieved from internet on Apr. 17, 2015. <https://whatsonmypc.wordpress.com/2013/02/20/metro-datavac/>.\*

\* cited by examiner

*Primary Examiner* — Ruth McInroy

(74) *Attorney, Agent, or Firm* — Lerner, David, Littenberg, Krumholz & Mentlik, LLP

(57) **CLAIM**

The ornamental design for a dust blowing machine, as shown and described.

**DESCRIPTION**

FIG. 1 is a rear perspective view of a dust blowing machine according to my design;  
FIG. 2 is a rear view thereof;  
FIG. 3 is a front view thereof;  
FIG. 4 is a right side view thereof;  
FIG. 5 is a left side view thereof;  
FIG. 6 is a top view thereof; and,  
FIG. 7 is a bottom view thereof.  
The details shown in broken lines form no part of the claimed design.

**1 Claim, 6 Drawing Sheets**

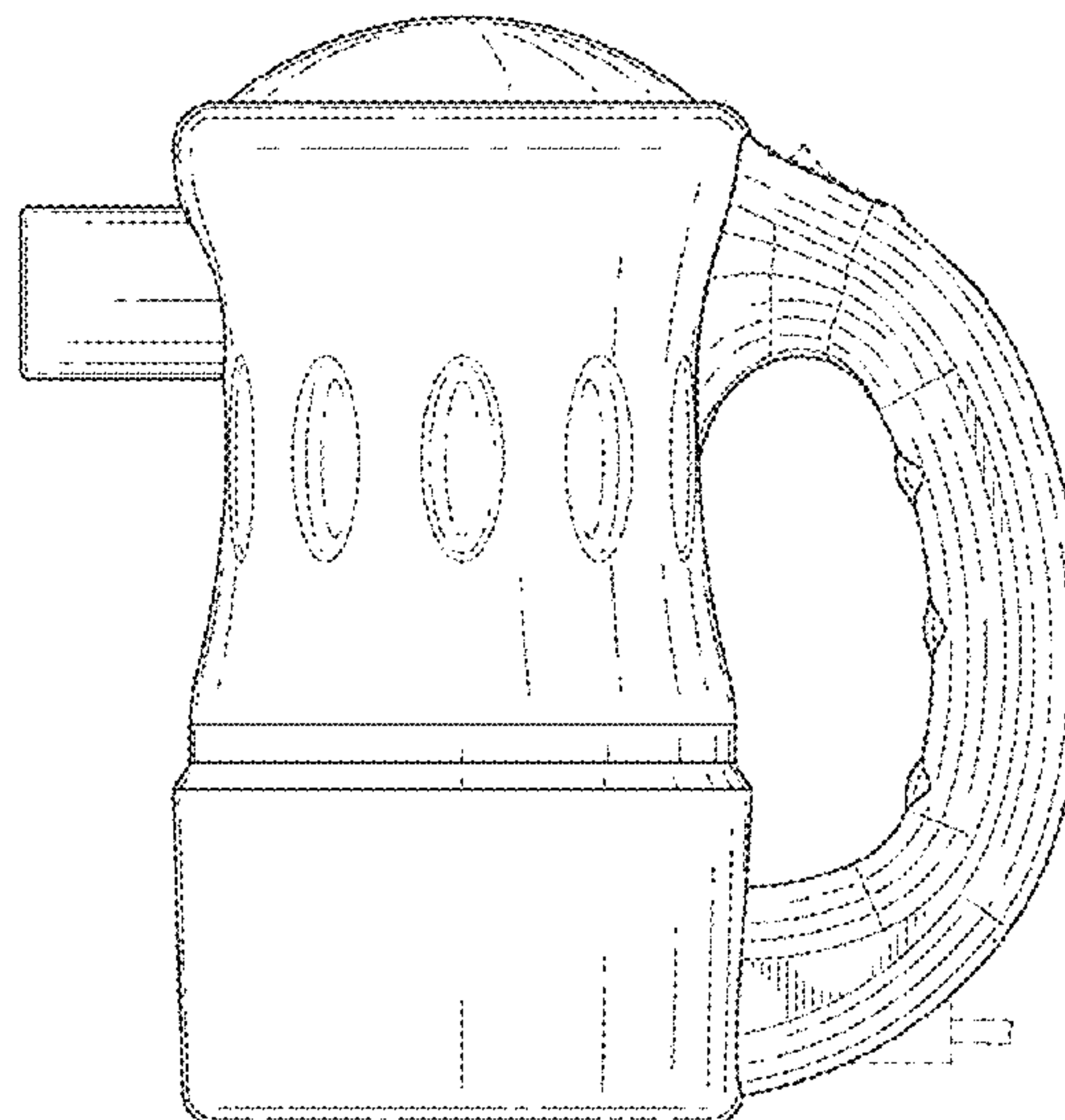
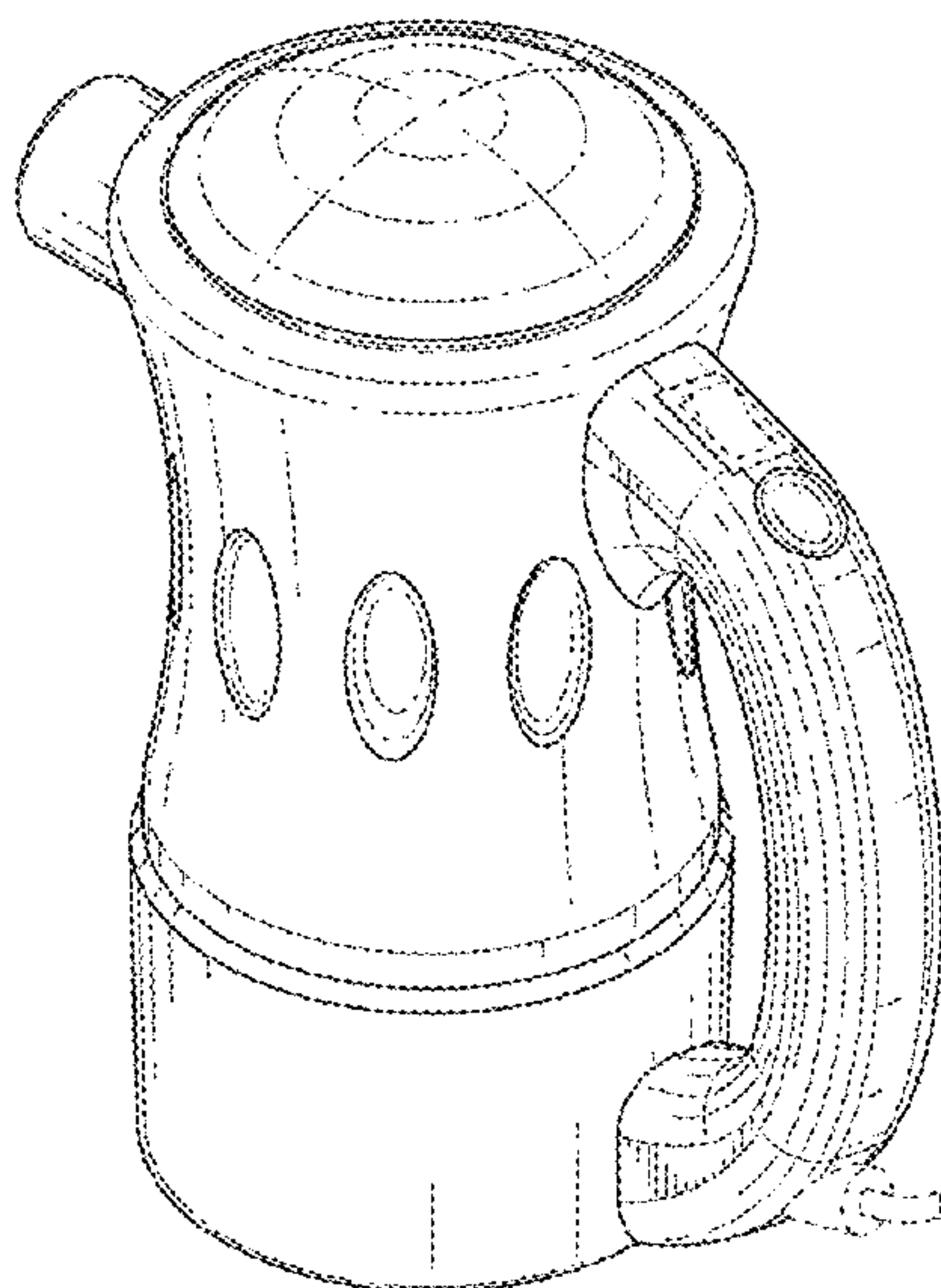


FIG. 1

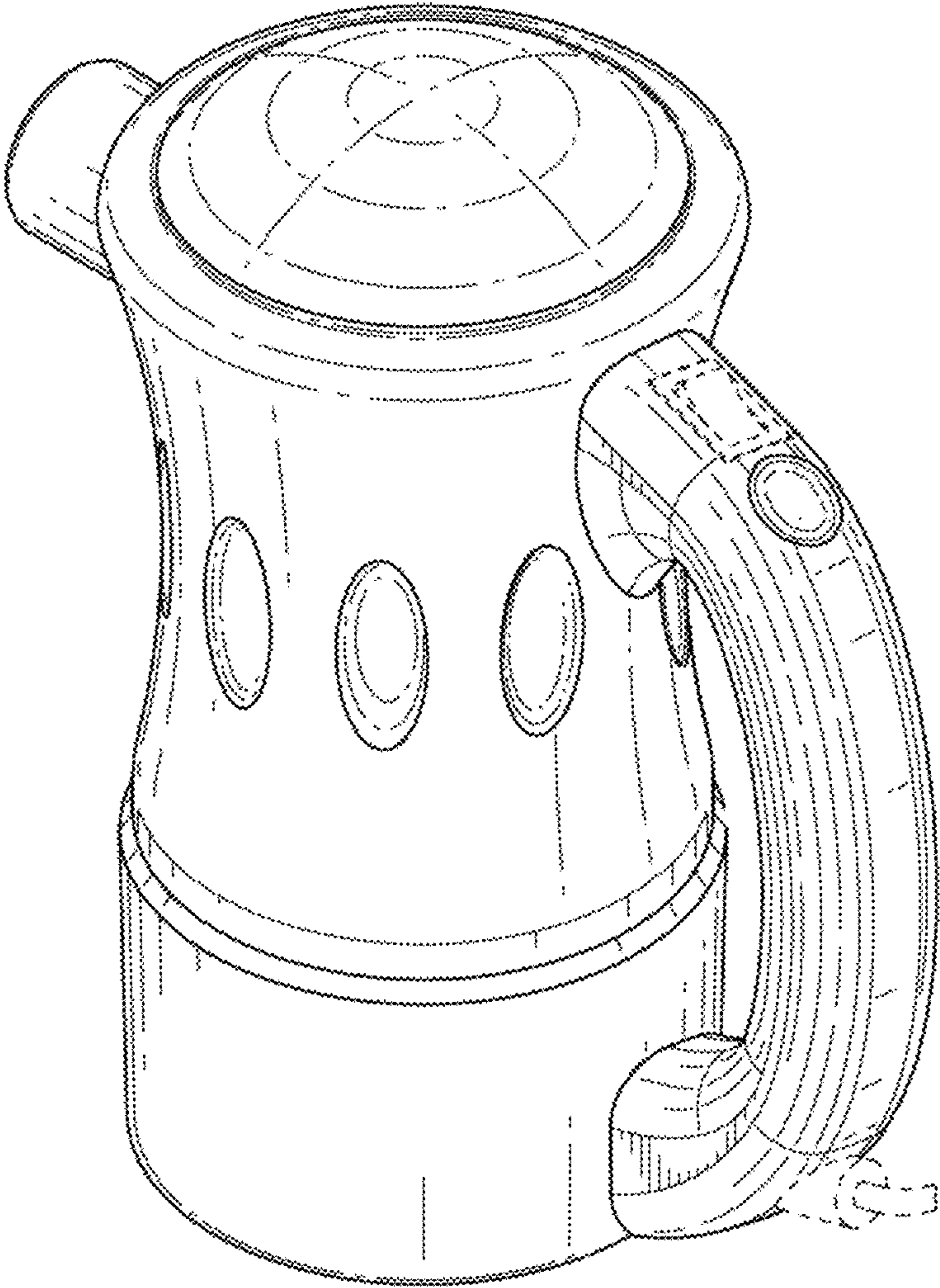


FIG. 2

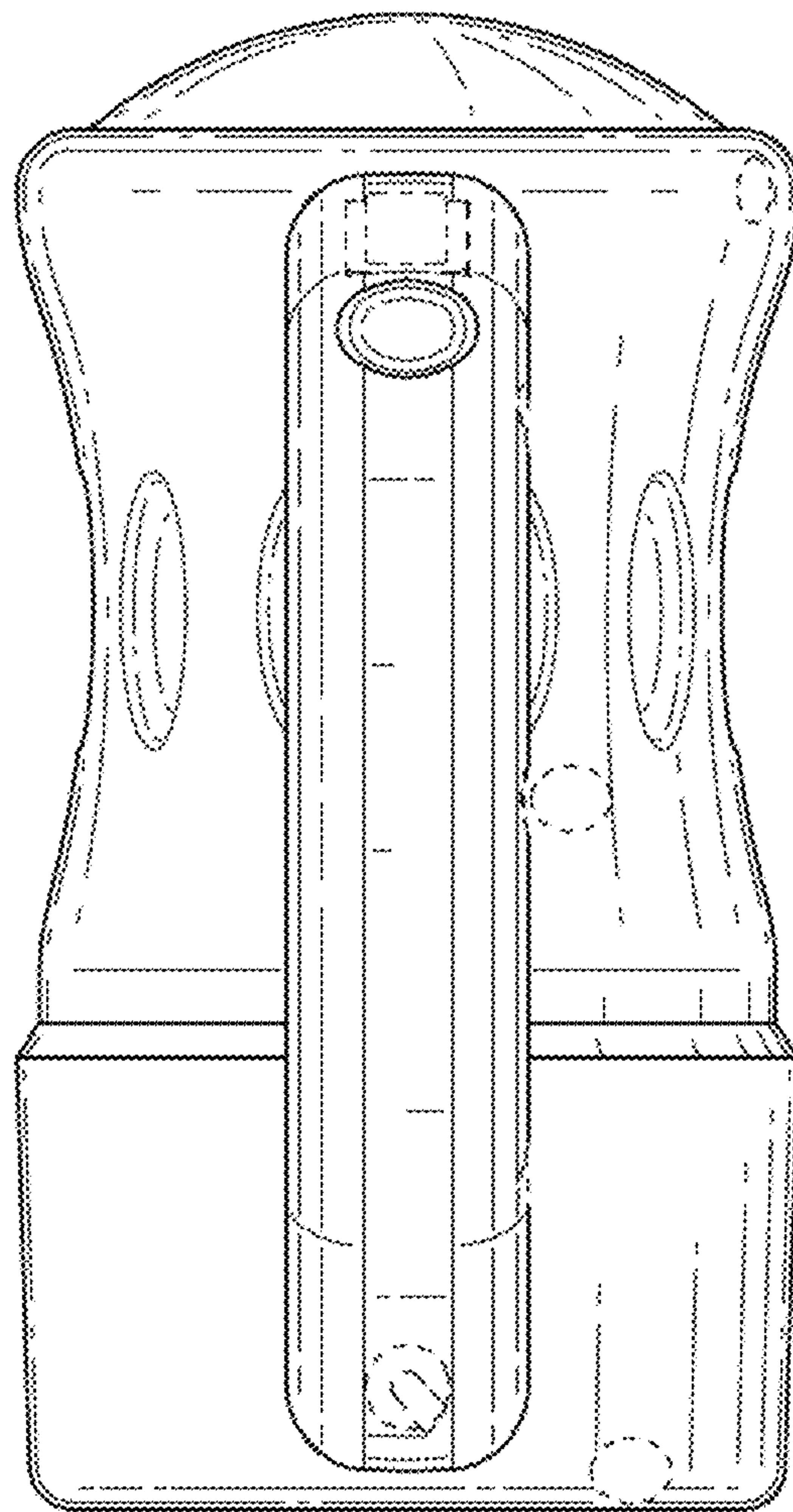


FIG. 3

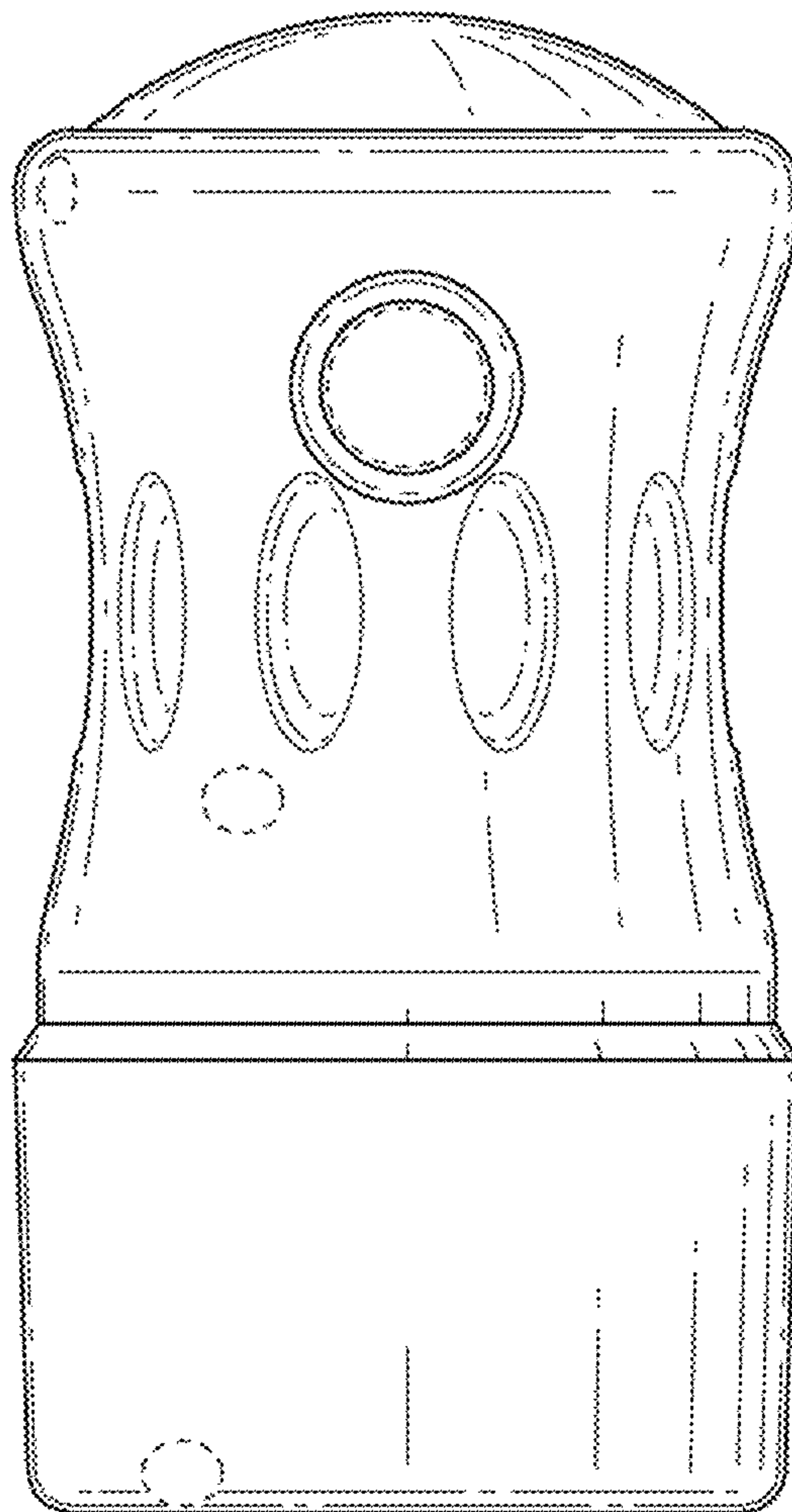




FIG. 4

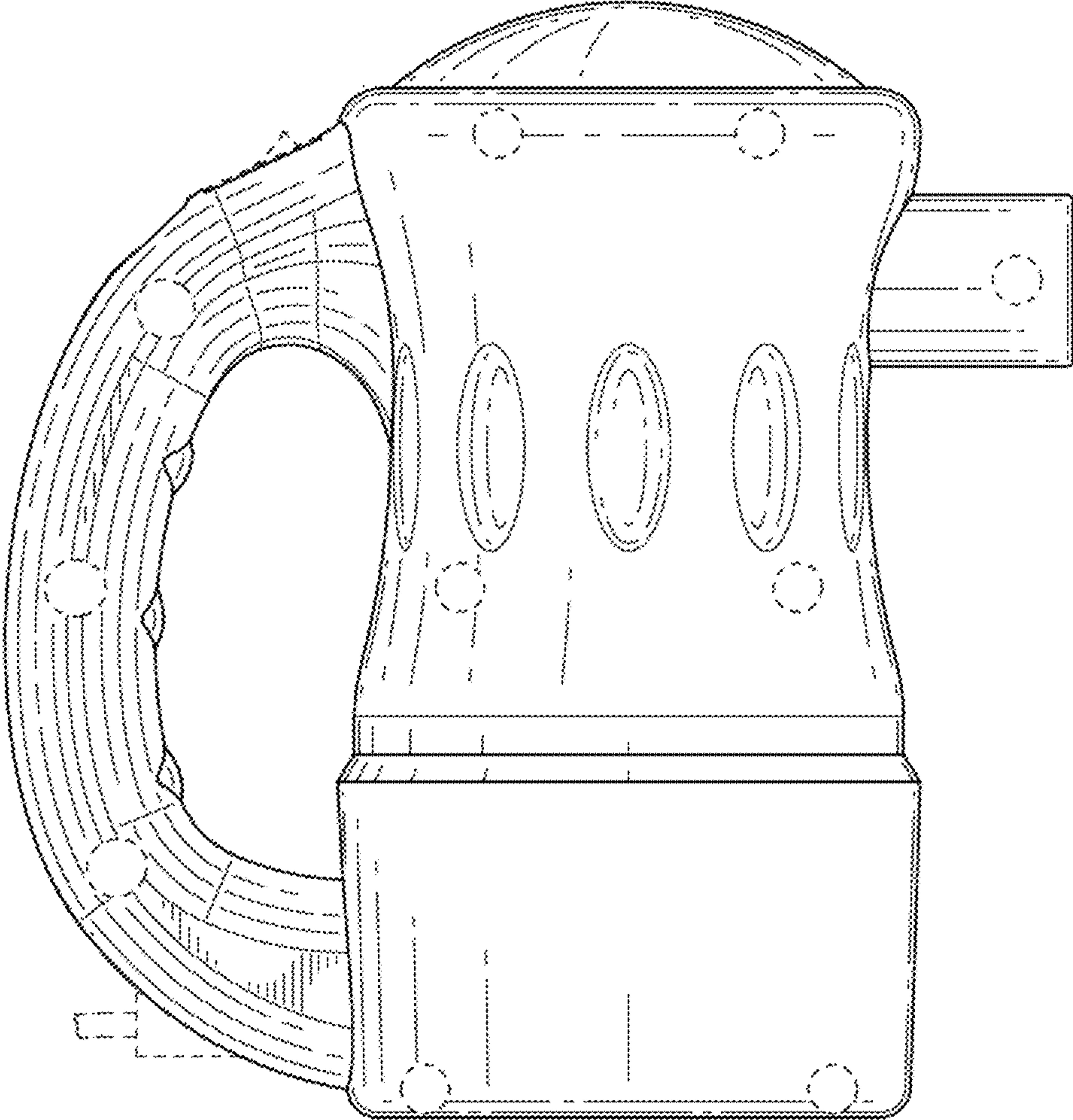


FIG. 5

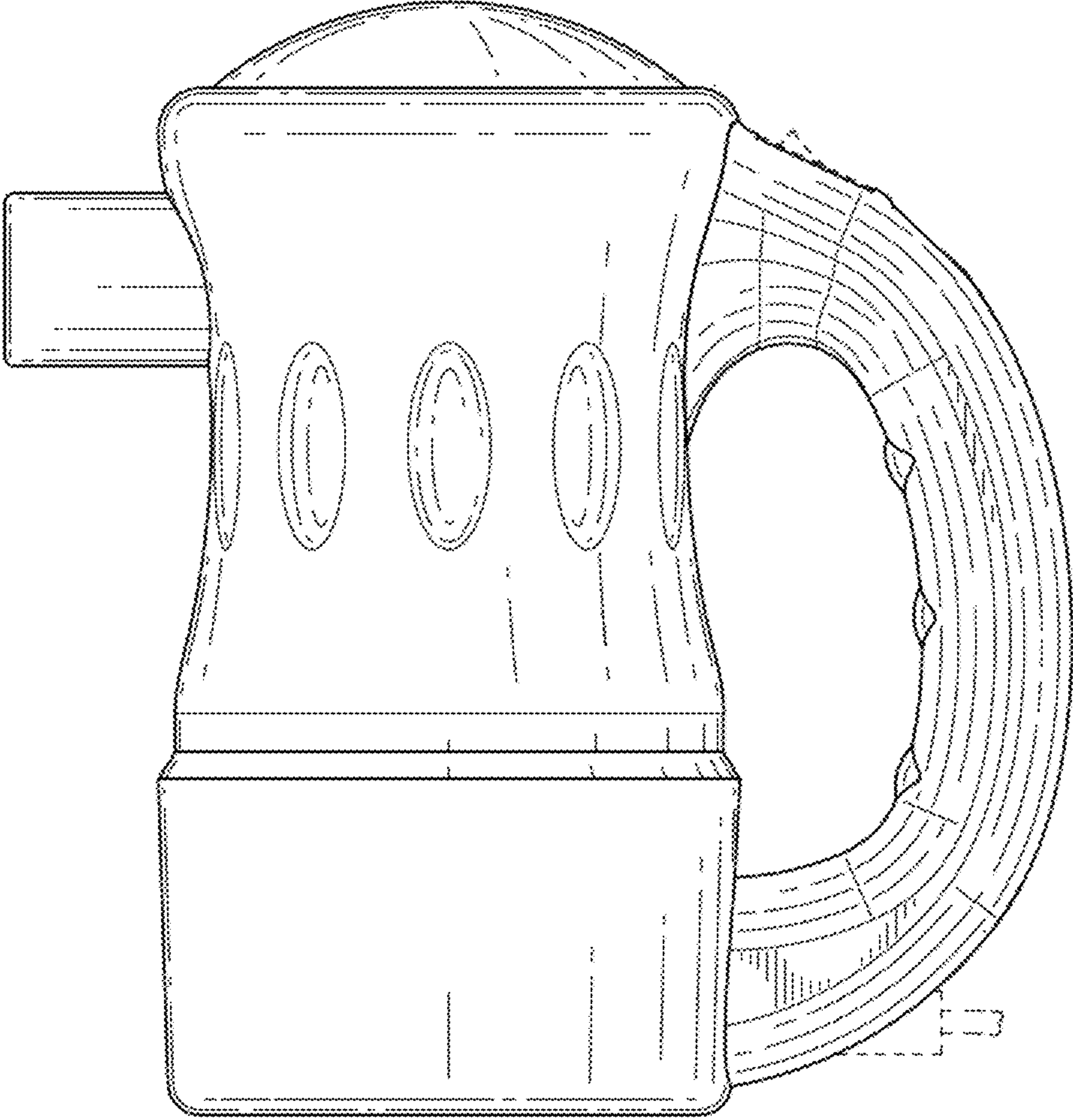


FIG. 6

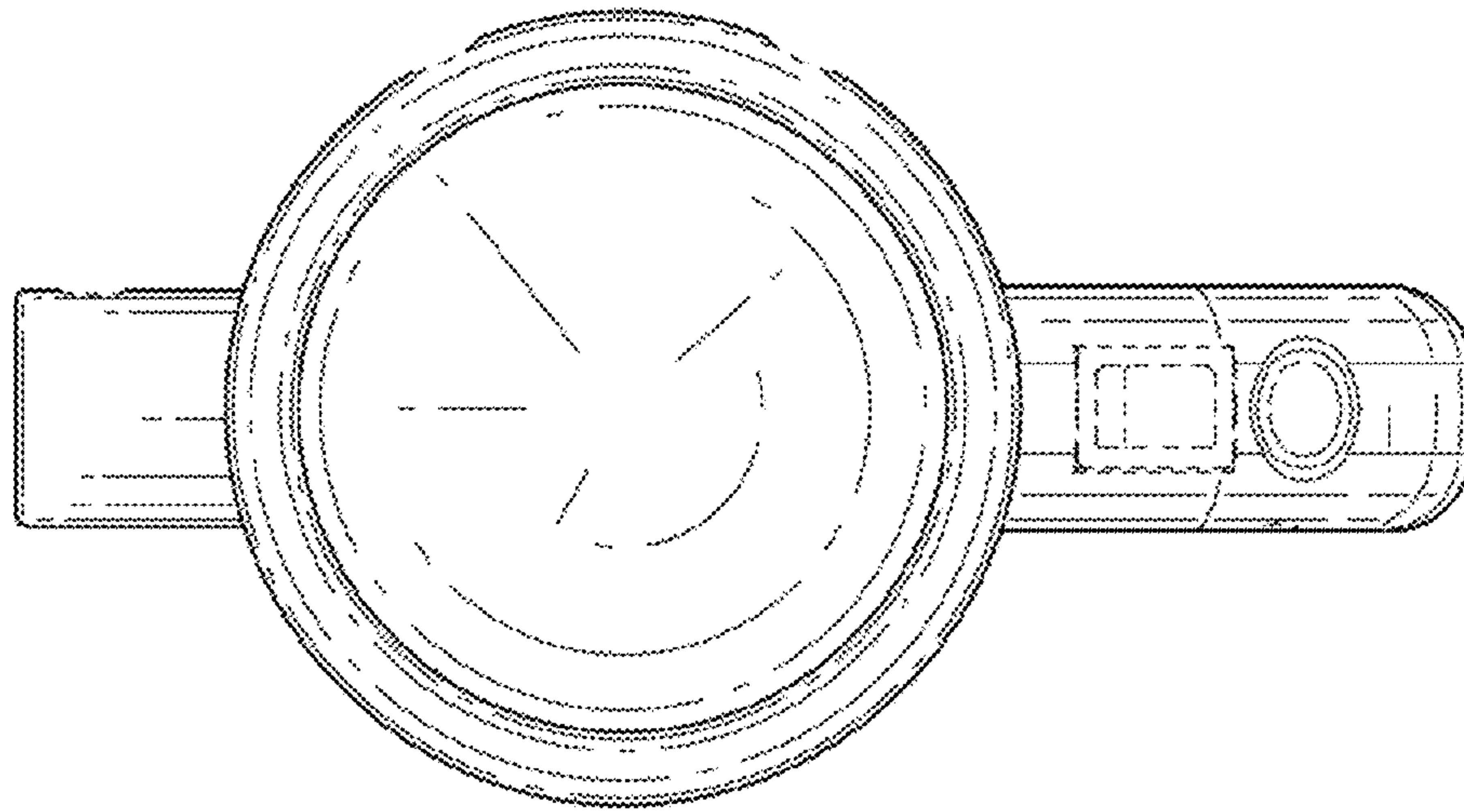


FIG. 7

