



US00D733980S

(12) **United States Design Patent**
Grobleben et al.

(10) **Patent No.:** **US D733,980 S**

(45) **Date of Patent:** **** Jul. 7, 2015**

(54) **DISPLAY FOR DISHWASHER**

(71) Applicant: **BSH Bosch und Siemens Hausgeräte GmbH**, Munich (DE)

(72) Inventors: **Ralf Grobleben**, Bretten (DE); **Thomas Knöller**, Neusäß (DE); **Elena Leinmüller**, Ottobrunn (RU); **Gerhard Nüssler**, München (DE)

(73) Assignee: **BSH Bosch und Siemens Hausgeraete GmbH**, Munich (DE)

(**) Term: **14 Years**

(21) Appl. No.: **29/467,293**

(22) Filed: **Sep. 18, 2013**

Related U.S. Application Data

(62) Division of application No. 29/405,398, filed on Nov. 2, 2011, now Pat. No. Des. 693,069, which is a division of application No. 29/385,097, filed on Feb. 9, 2011, now Pat. No. Des. 653,821, which is a division of application No. 29/359,268, filed on Apr. 8, 2010, now Pat. No. Des. 640,429, which is a division of application No. 29/312,250, filed on Oct. 8, 2008, now Pat. No. Des. 620,648.

(30) **Foreign Application Priority Data**

Apr. 15, 2008 (EM) 000927512

(51) **LOC (10) Cl.** **15-05**

(52) **U.S. Cl.**
USPC **D32/3**

(58) **Field of Classification Search**
USPC D32/1, 2, 3, 25, 28; 134/56 D, 57 D,
134/58 D, 58 DL, 201; 312/31, 228; D7/340,
D7/348-350, 405

See application file for complete search history.

(56) **References Cited**

U.S. PATENT DOCUMENTS

D385,069	S	*	10/1997	Hughes et al.	D32/3
D493,581	S	*	7/2004	Ott et al.	D32/3
D495,104	S	*	8/2004	Kaczmarek	D32/3
D511,031	S	*	10/2005	Ott et al.	D32/3
D530,048	S	*	10/2006	Knochner	D32/3
D530,460	S	*	10/2006	Knochner	D32/3
D533,691	S	*	12/2006	Knochner	D32/3
D539,992	S	*	4/2007	Yamamoto et al.	D32/2
D545,009	S	*	6/2007	Jung et al.	D32/2
D568,563	S	*	5/2008	Stephens	D32/28
D625,475	S	*	10/2010	Kim et al.	D32/3
D629,574	S	*	12/2010	Kaczmarek	D32/3
D629,979	S	*	12/2010	Kaczmarek	D32/3
D630,804	S	*	1/2011	Ott	D32/3
D630,805	S	*	1/2011	Ott	D32/3
D630,806	S	*	1/2011	Kaczmarek	D32/3
D633,664	S	*	3/2011	Jenkins et al.	D32/3
D635,312	S	*	3/2011	Kaczmarek	D32/3
D640,429	S	*	6/2011	Grobleben et al.	D32/3

(Continued)

Primary Examiner — Eric Goodman

Assistant Examiner — Amy Wierenga

(74) *Attorney, Agent, or Firm* — James E. Howard; Andre Pallapies

(57) **CLAIM**

The ornamental design for a display for dishwasher, as shown and described.

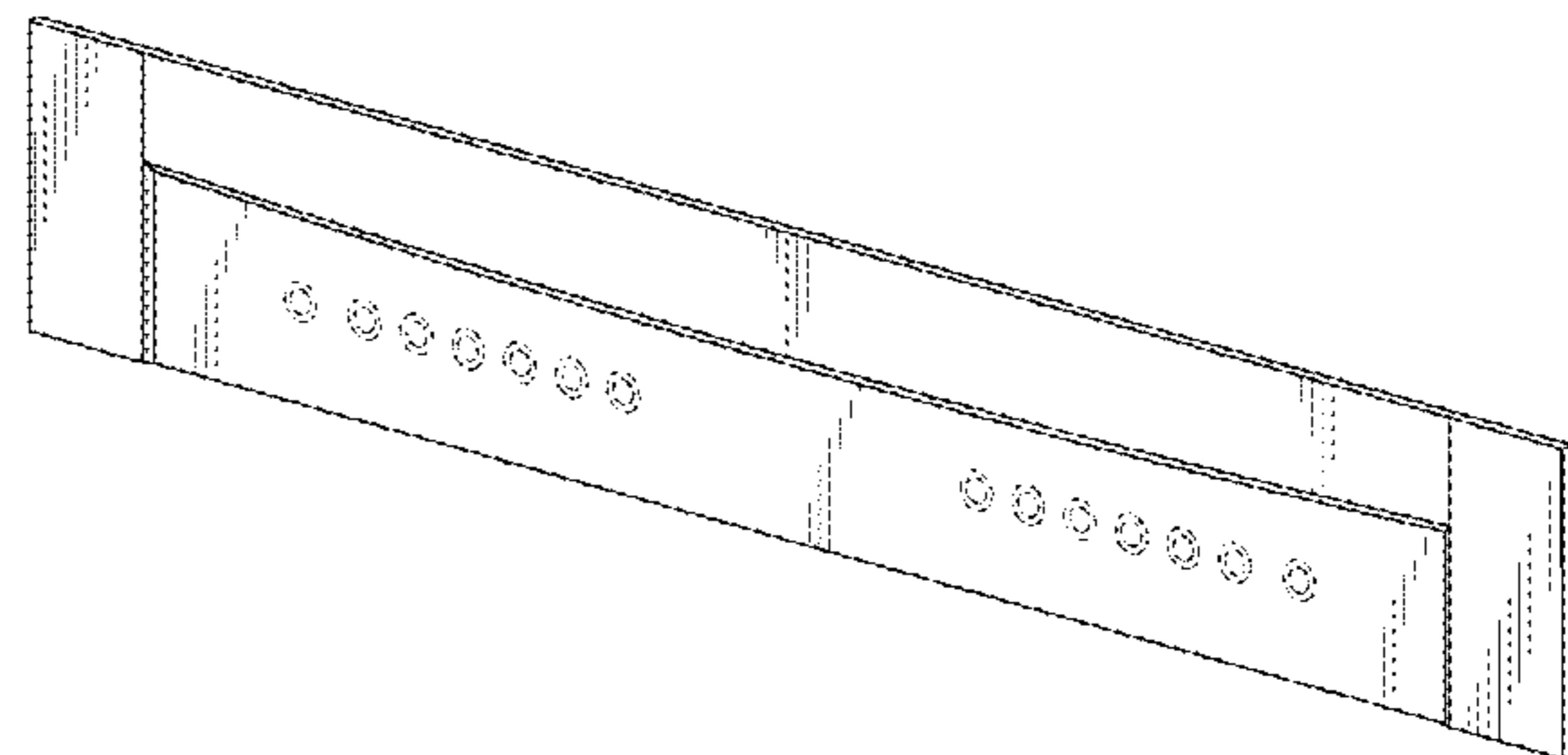
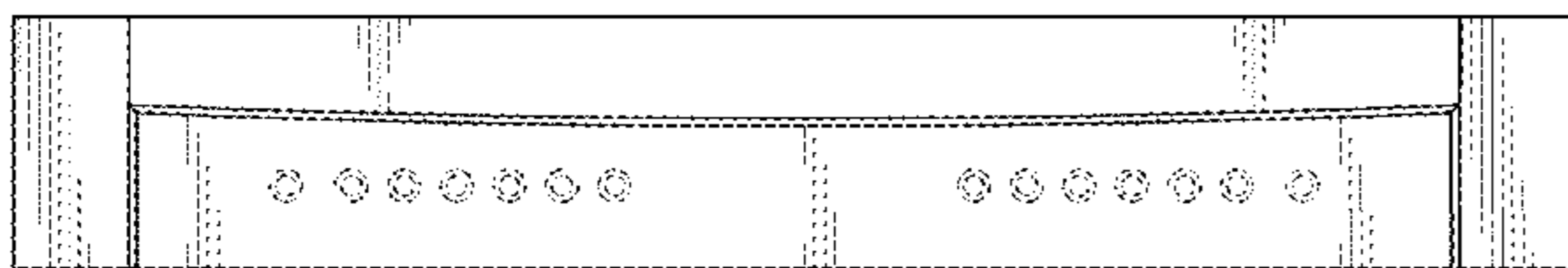
DESCRIPTION

FIG. 1 is a front view of a display for dishwasher showing our new design; and,

FIG. 2 is a perspective view thereof.

The broken lines represent unclaimed subject matter and form no part of the claimed design.

1 Claim, 2 Drawing Sheets



US D733,980 S

Page 2

(56)

References Cited

U.S. PATENT DOCUMENTS

D640,843 S *	6/2011	Benold	D32/3	
D640,844 S *	6/2011	Benold	D32/3	* cited by examiner
D641,939 S *	7/2011	Ott	D32/3	
D642,751 S *	8/2011	Jenkins et al.	D32/3	
D645,621 S *	9/2011	Jenkins et al.	D32/3	

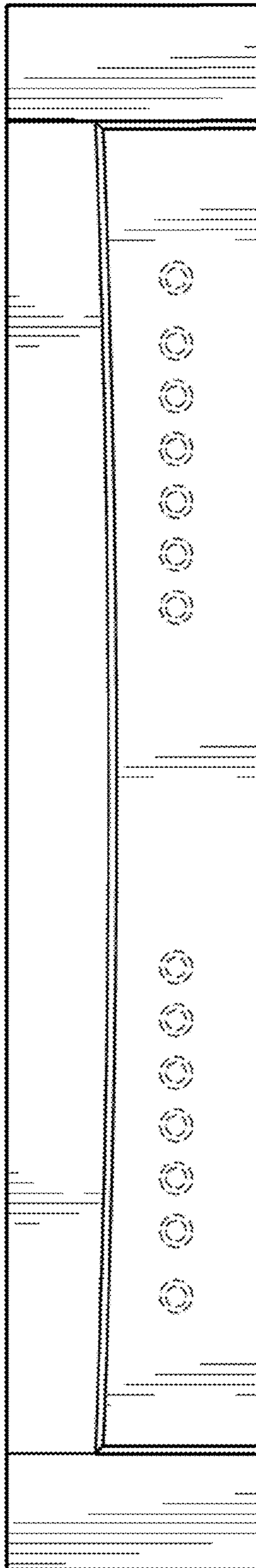


FIG. 1

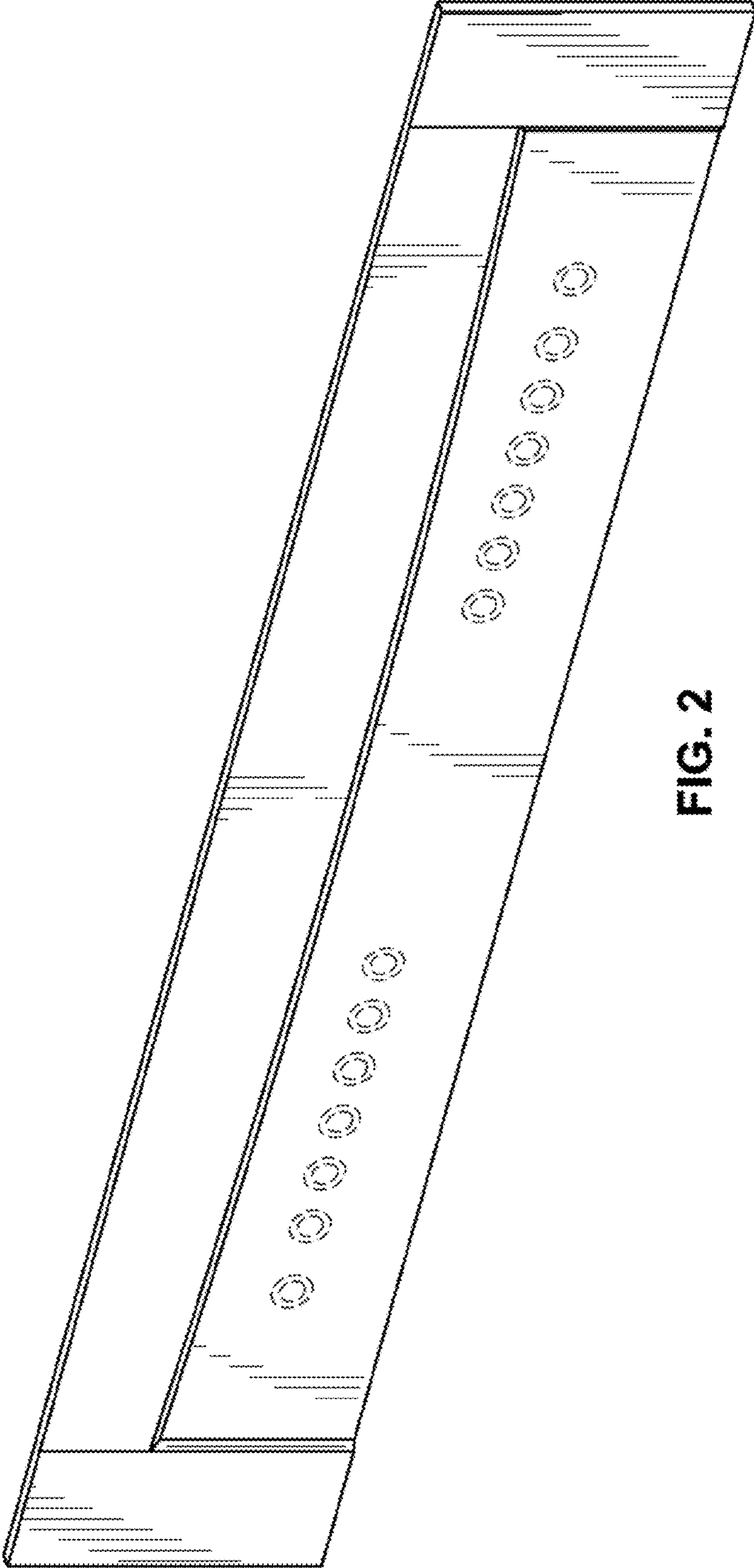


FIG. 2