



US00D733979S

(12) **United States Design Patent**
Marks et al.

(10) **Patent No.:** **US D733,979 S**
(45) **Date of Patent:** **** Jul. 7, 2015**

(54) **PARTS WASHER**

FOREIGN PATENT DOCUMENTS

- (71) Applicant: **Chemfree Corporation**, Norcross, GA (US)
- (72) Inventors: **Francis A. Marks**, Sandy Springs, GA (US); **Walter F. Ottmann**, Duluth, GA (US); **Thomas W. McNally**, Norcross, GA (US)
- (73) Assignee: **Chemfree Corporation**, Norcross, GA (US)

JP D133612 * 6/2008

OTHER PUBLICATIONS

Engineering Ultrasonic Cleaning, article date Mar. 15, 2011, [online], [site visited Dec. 3, 2014 3:14:35 PM], <<http://engg-learning.blogspot.com/2011/03/ultrasonic-cleaning.html>>.*
Sink Parts Washer, wayback date Oct. 10, 2010, [online], [site visited Dec. 3, 2014 2:13:37 PM], <<http://web.archive.org/web/20101010084426/http://s-kstore.com/index.php/sink-parts-washer-aqueous-model-90.html>>.*

(Continued)

- (**) Term: **14 Years**
- (21) Appl. No.: **29/435,652**
- (22) Filed: **Oct. 26, 2012**
- (51) **LOC (10) Cl.** **15-05**
- (52) **U.S. Cl.**
USPC **D32/1**

Primary Examiner — John Windmuller

Assistant Examiner — John R Yeh

(74) *Attorney, Agent, or Firm* — Womble Carlyle Sandridge & Rice LLP

- (58) **Field of Classification Search**
USPC D32/1, 15, 16, 25; 134/6, 47, 52–54, 134/56 R, 57 R, 103.1, 103.2, 109, 115 R, 134/117, 129, 198, 200; 15/1.51, 24, 15/104.061; 451/64–66, 74, 92, 165; D7/605, 619.1; D3/218, 272, 273, 276, D3/294, 321, 279, 281, 905; D24/185–187, 217; D13/169, 131, D13/162, 174, 176

(57) **CLAIM**

The ornamental design for a parts washer, as shown and described herein.

See application file for complete search history.

DESCRIPTION

FIG. 1 is a perspective view of a parts washer shown in a closed configuration;
FIG. 2 is a top view of the parts washer thereof;
FIG. 3 is a bottom view of the parts washer thereof;
FIG. 4 is a right side view of the parts washer thereof;
FIG. 5 is a left side view of the parts washer thereof;
FIG. 6 is a back end view of the parts washer thereof;
FIG. 7 is a front end view of the parts washer thereof;
FIG. 8 is a perspective top view of the parts washer in an open configuration thereof; and,
FIG. 9 is a perspective left view of the parts washer in an open configuration.
The broken lines represent portions of the parts washer that form no part of the claimed design.

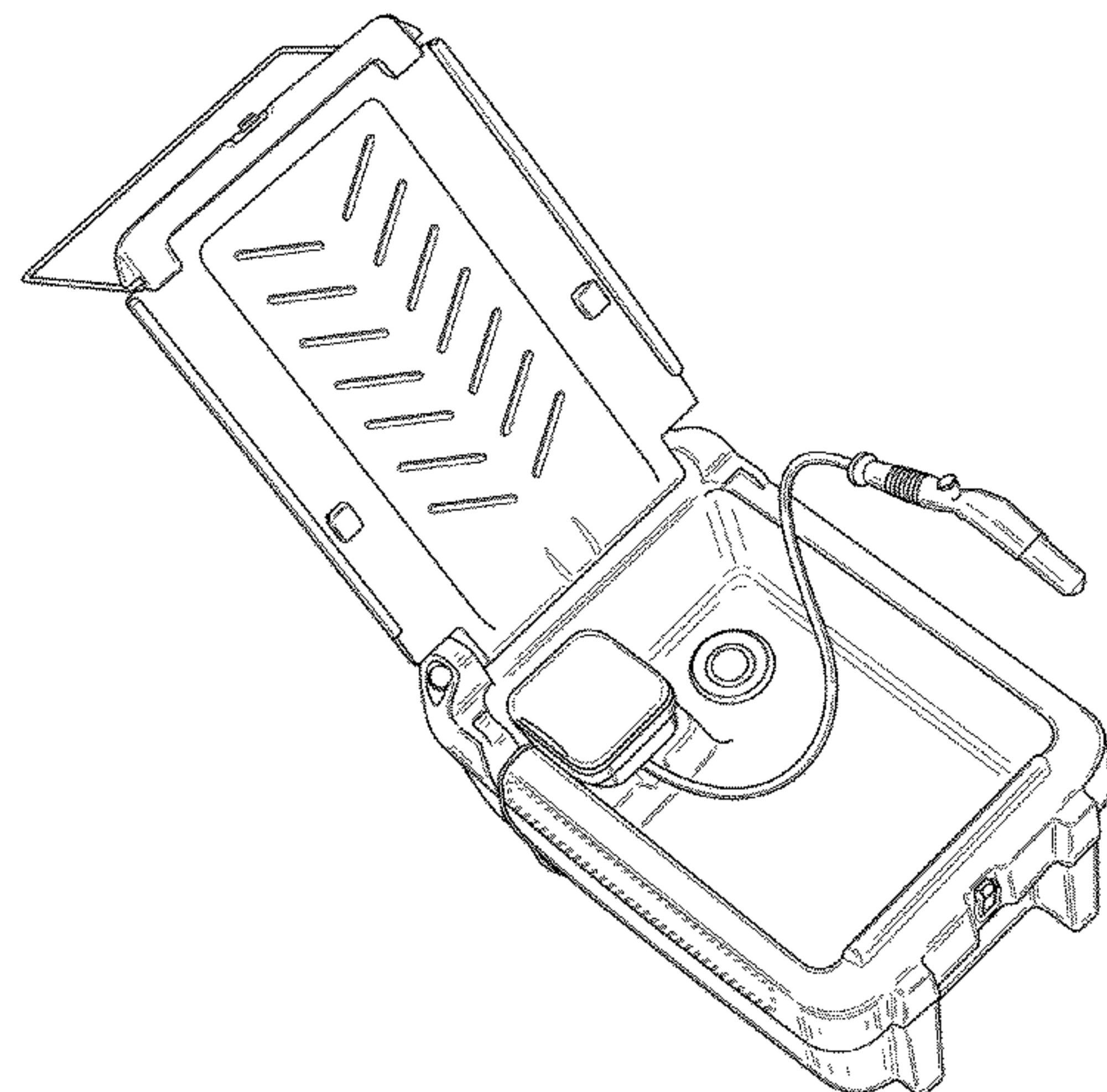
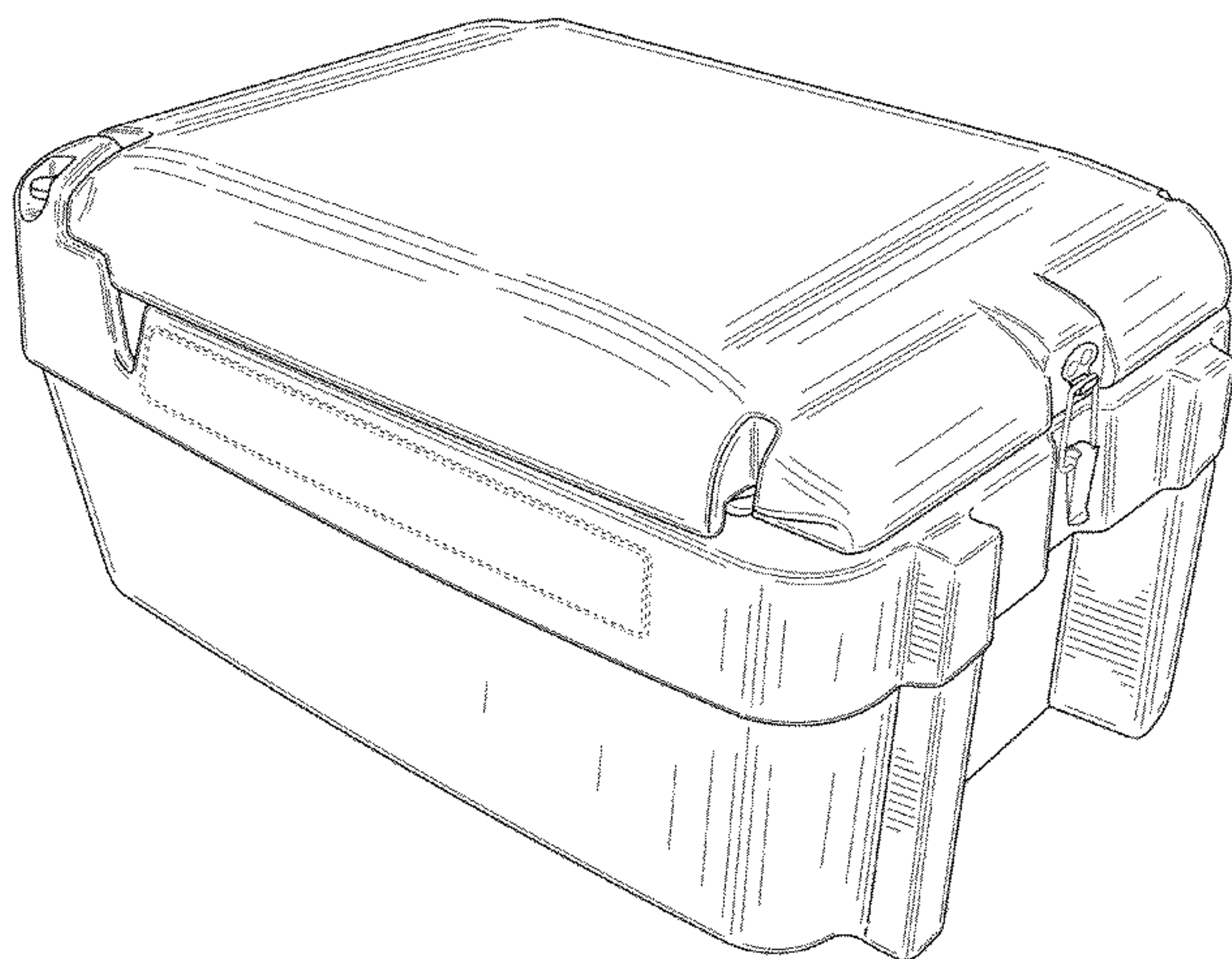
(56) **References Cited**

U.S. PATENT DOCUMENTS

- D204,365 S * 4/1966 Trombetta D32/1
- 3,343,555 A 9/1967 Kasner
- 3,416,544 A 12/1968 Paiva
- 4,051,858 A 10/1977 Mele
- 4,052,227 A * 10/1977 Delo et al. 134/56 R
- 4,056,114 A * 11/1977 Boutillette 134/104.4
- 4,226,548 A 10/1980 Reith

(Continued)

1 Claim, 5 Drawing Sheets



(56)

References Cited

U.S. PATENT DOCUMENTS

4,601,300 A 7/1986 Sundheimer
D286,937 S * 11/1986 Schafer D3/272
4,995,409 A * 2/1991 Watts 134/58 R
5,213,119 A 5/1993 Kusz et al.
D335,960 S * 6/1993 Kahl et al. D7/709
D338,989 S * 8/1993 Ambrosiano D32/15
5,373,708 A * 12/1994 Dumoulin, Jr. 62/457.7
5,419,349 A 5/1995 Swain
D360,527 S * 7/1995 Corney et al. D3/279
D361,220 S * 8/1995 Cacciola D6/440
D370,096 S * 5/1996 Niemela et al. D32/1
D378,721 S * 4/1997 Ramsey et al. D6/634
5,622,196 A 4/1997 Luongo
D414,038 S * 9/1999 van Rhiene D3/302
5,961,733 A 10/1999 Strange
6,019,110 A 2/2000 McClure et al.
6,044,854 A 4/2000 Marks et al.
6,074,491 A 6/2000 McClure et al.
6,095,163 A 8/2000 McClure et al.
D448,623 S * 10/2001 Gatipon et al. D7/605
6,318,387 B1 11/2001 McClure et al.
6,328,045 B1 12/2001 Strange
6,374,835 B1 4/2002 McClure et al.
6,440,226 B2 8/2002 McClure et al.
D462,561 S * 9/2002 Bellin et al. D6/634
6,451,125 B1 9/2002 McClure et al.
6,523,556 B2 2/2003 Abad et al.
6,571,810 B1 6/2003 McClure et al.
6,609,258 B1 * 8/2003 Clements 4/655
D634,982 S * 3/2011 Melchert et al. D7/605
D678,634 S * 3/2013 Liao D32/1
8,763,619 B2 * 7/2014 Lele et al. 134/147
2011/0023279 A1 * 2/2011 Porter et al. 29/402.03
2012/0012493 A1 * 1/2012 Cleveland et al. 206/508
2014/0116479 A1 * 5/2014 Marks et al. 134/110

OTHER PUBLICATIONS

Well-Bilt Portable Washer, user review date Feb. 4, 2011, [online], [site visited Dec. 3, 2014 2:10:12 PM]<<http://www.harborfreight.com/6-1-2-half-gallon-parts-washer-96952.html#pr-header-back-to-top-link>>.*
Well-Bilt 40 gal parts washer, review date Nov. 9, 2009, [online], [site visited Dec. 3, 2014 2:04:20 PM], <http://www.northerntool.com/shop/tools/product_200381753_200381753>.*
ATD-8524 3.5 Gallon Bench Top Parts Washer brochure—ATD Tools, Inc.—<http://atdtools.com/8524>, prior to Oct. 26, 2012.
Baron Portable Parts Washer brochure—Parts Unlimited Street—http://www.motorcycleworld.com/enthusiasts/catalog_itemdetail.asp?catalog=8024&lev . . . , prior to Oct. 26, 2012.
Black Bull Parts Washer brochure—<http://www.sears.com/black-bull-pwash35-parts-washer-with-3.5-gallon-capacity/p-SPM> . . . , prior to Oct. 26, 2012.
JobSmart Portable Parts Washer, 20 gallon brochure—Tractor Supply Company—<http://www.tractorsupply.com/parts-washer-accessories/jobsmart-reg-portable-parts-was> . . . , prior to Oct. 26, 2012.
Wash 'N Go Compact Sink/Organizer (00983403) brochure—Reliance Products—<http://www.relianceproducts.com/products/sanitation/91.html>, prior to Oct. 26, 2012.
Safety-Kleen Benchtop Parts Washer (Model 14) brochure—<http://s-kstore.com/index.php/benchtop-parts-washer-model-14.html?SID=5f578bec8454> . . . , prior to Oct. 26, 2012.
Speedway 3.5 Gallon Portable Parts Washer brochure—North American Tool Industries—<http://northamericantoolindustries.com/speedway-3-5-gallon-portable-parts-washer.html>, prior to Oct. 26, 2012.
Well-Bilt 3 1/2 Gallon Portable Parts Washer brochure—Northern Tool—http://www.northerntool.com/shop/tools/product_200381752_200381752, prior to Oct. 26, 2012.

* cited by examiner

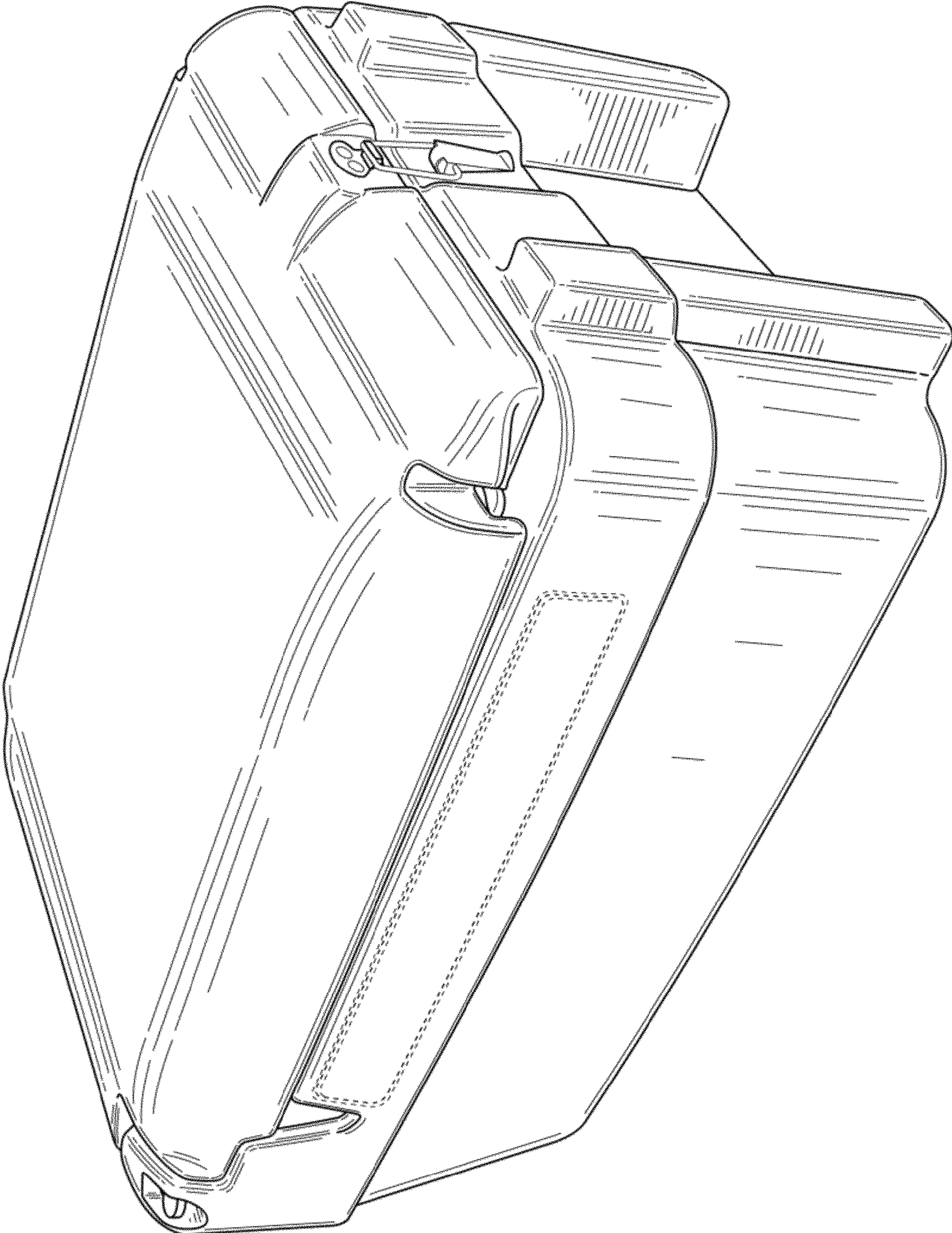


FIG. 1

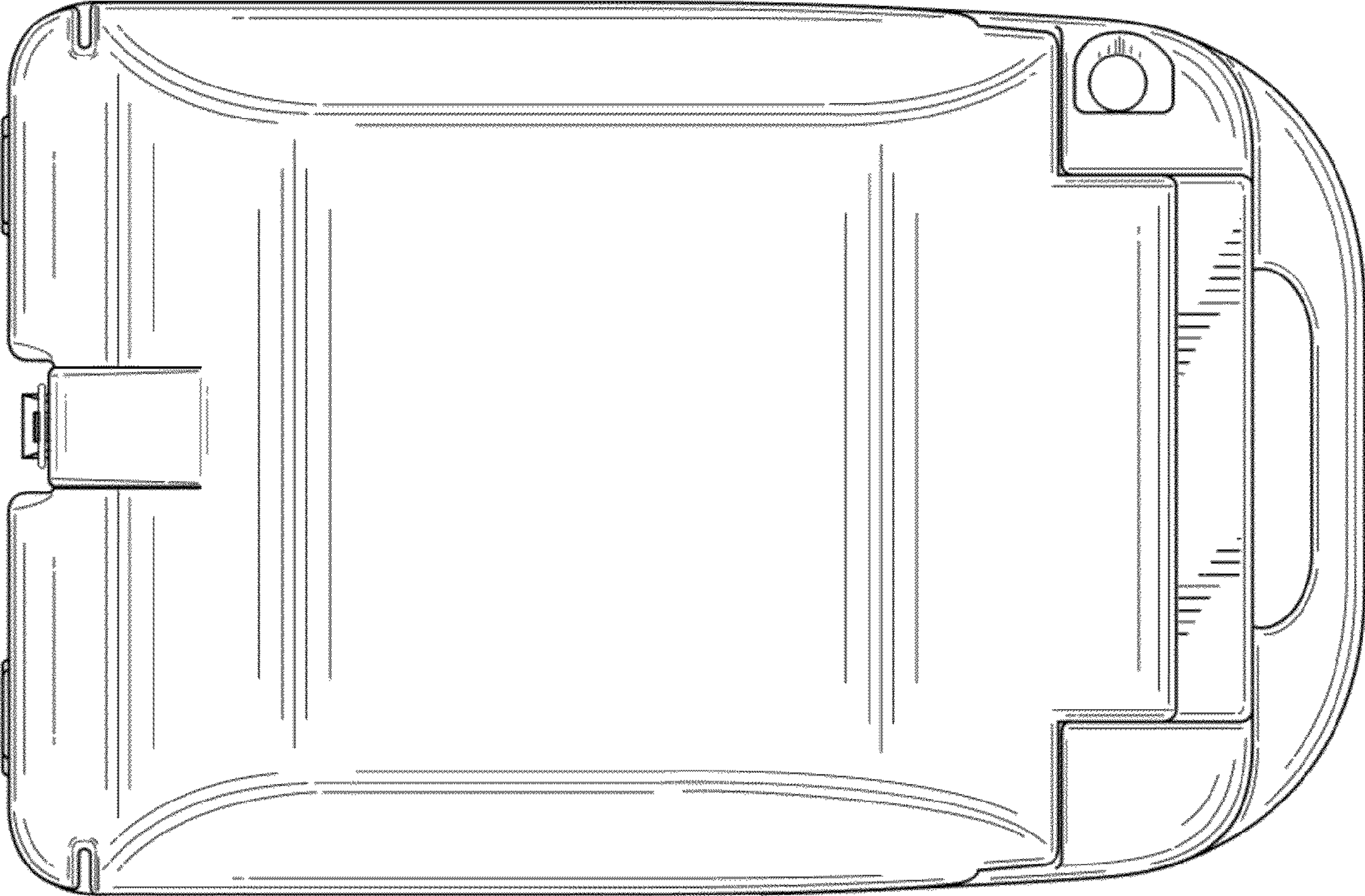


FIG. 2

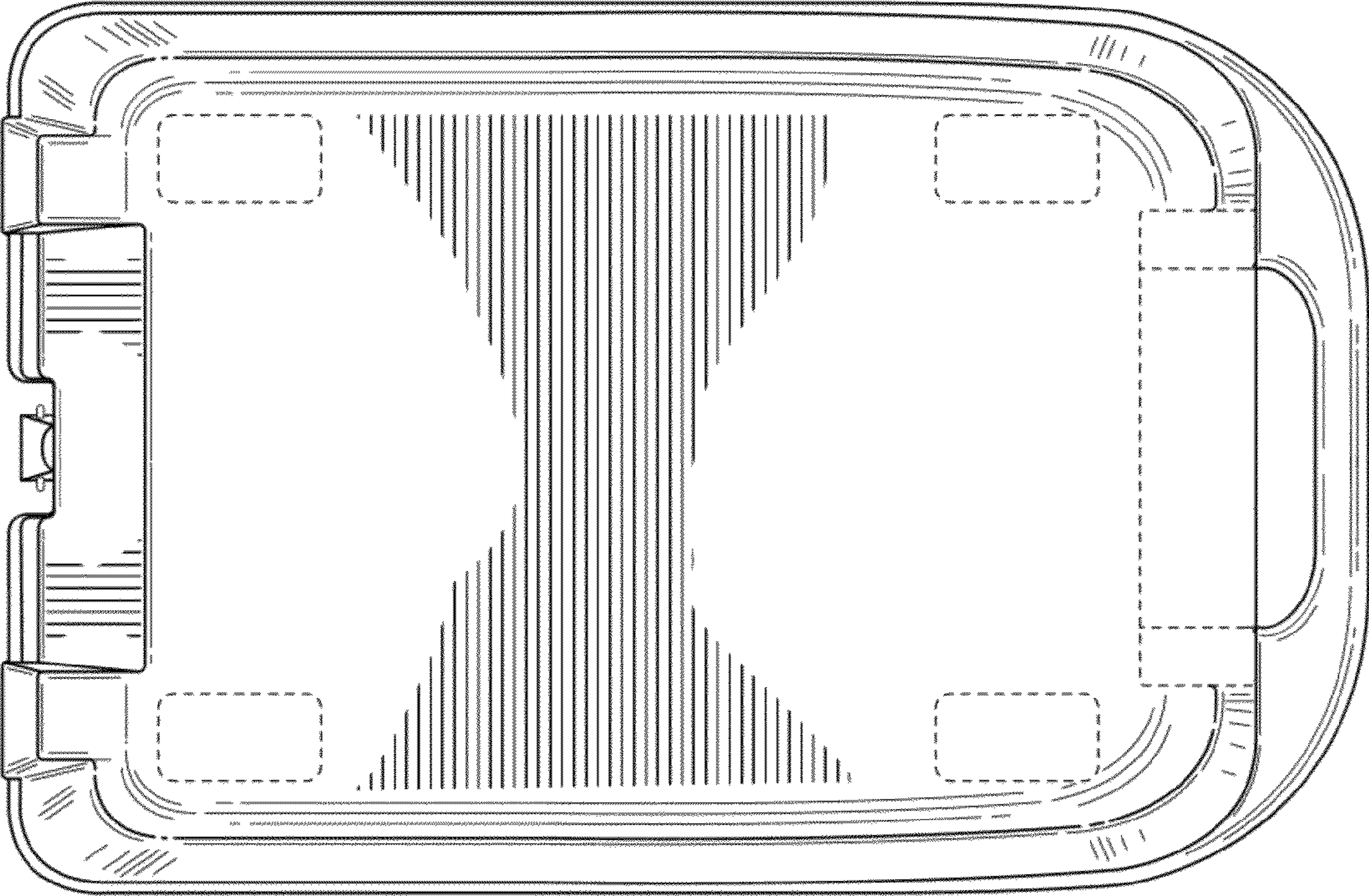


FIG. 3

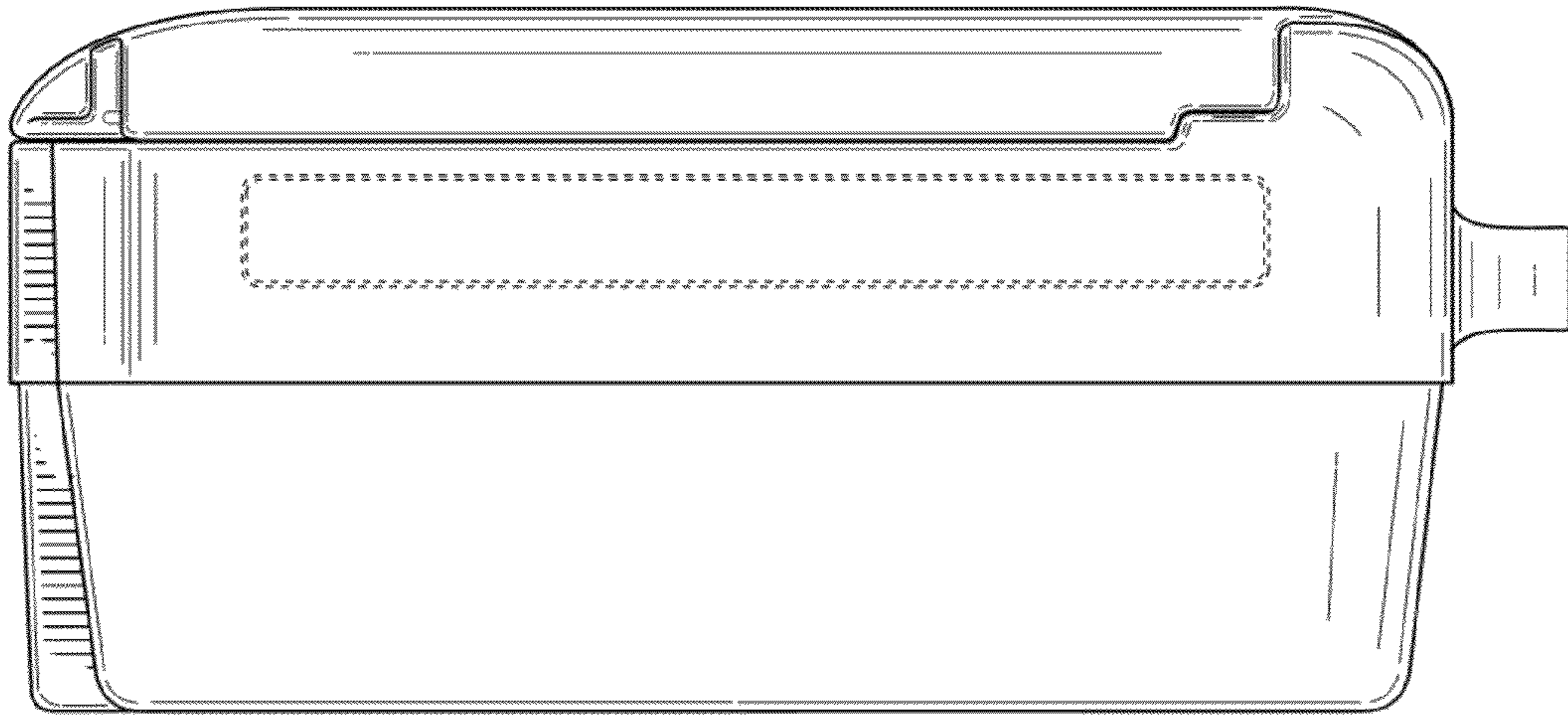


FIG. 4

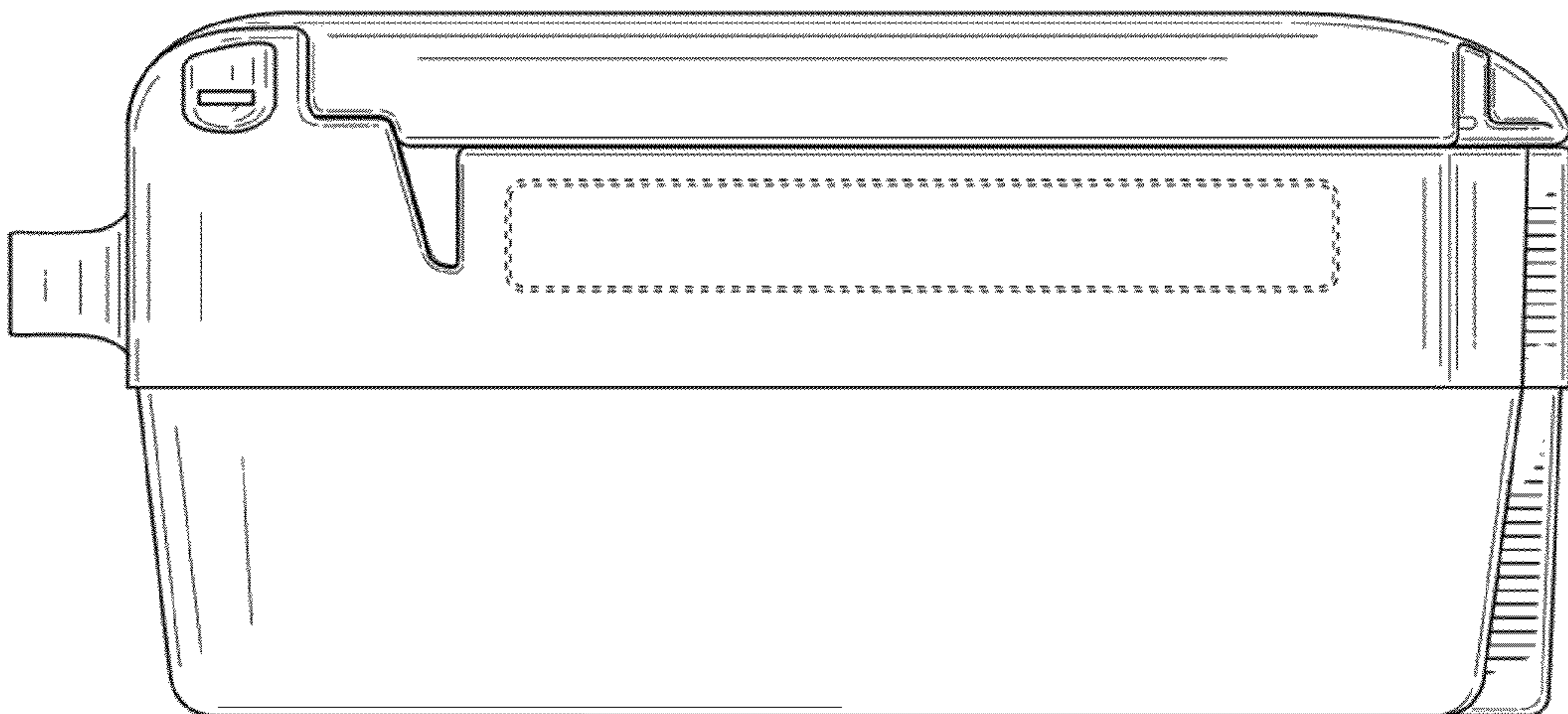


FIG. 5

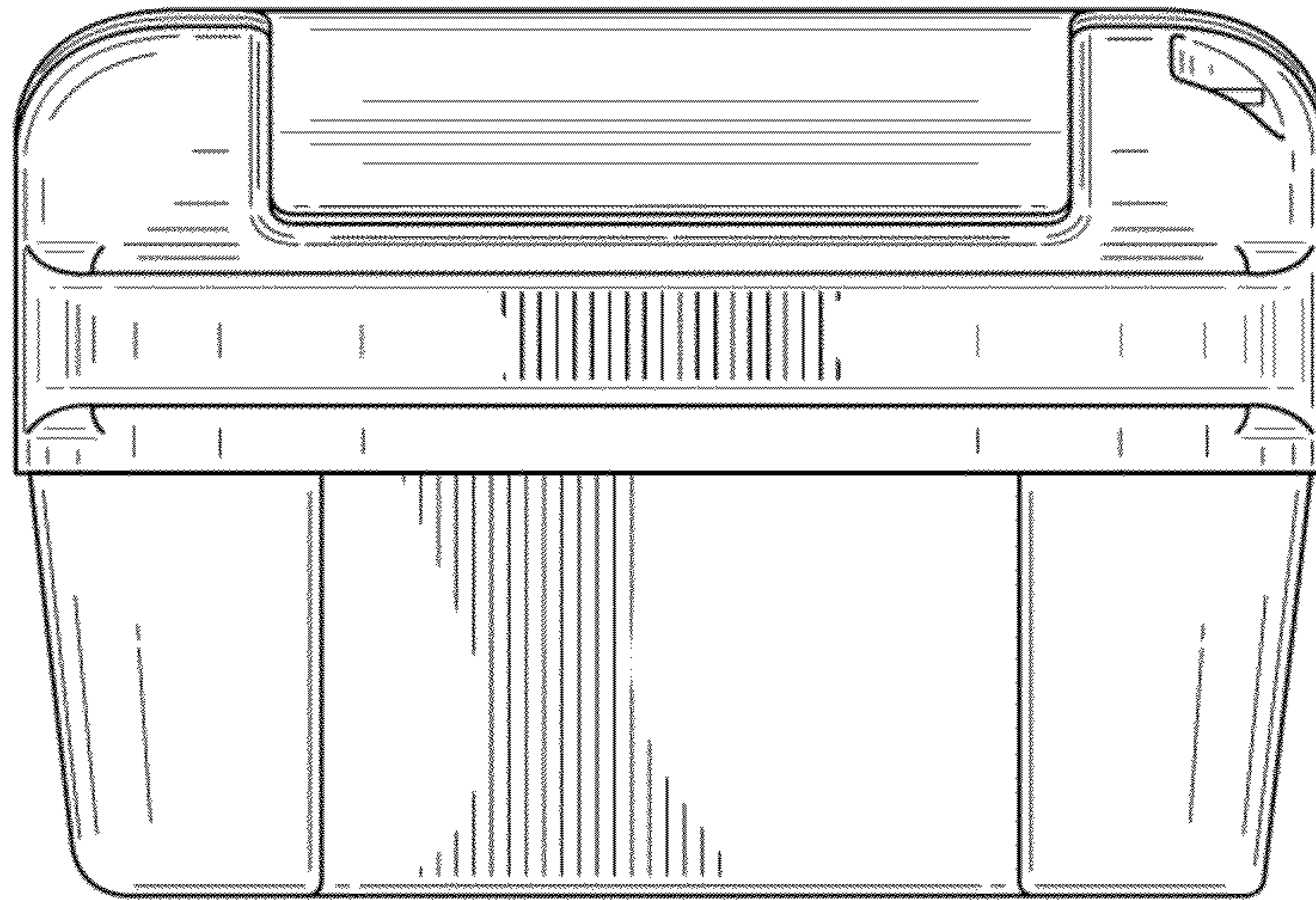


FIG. 6

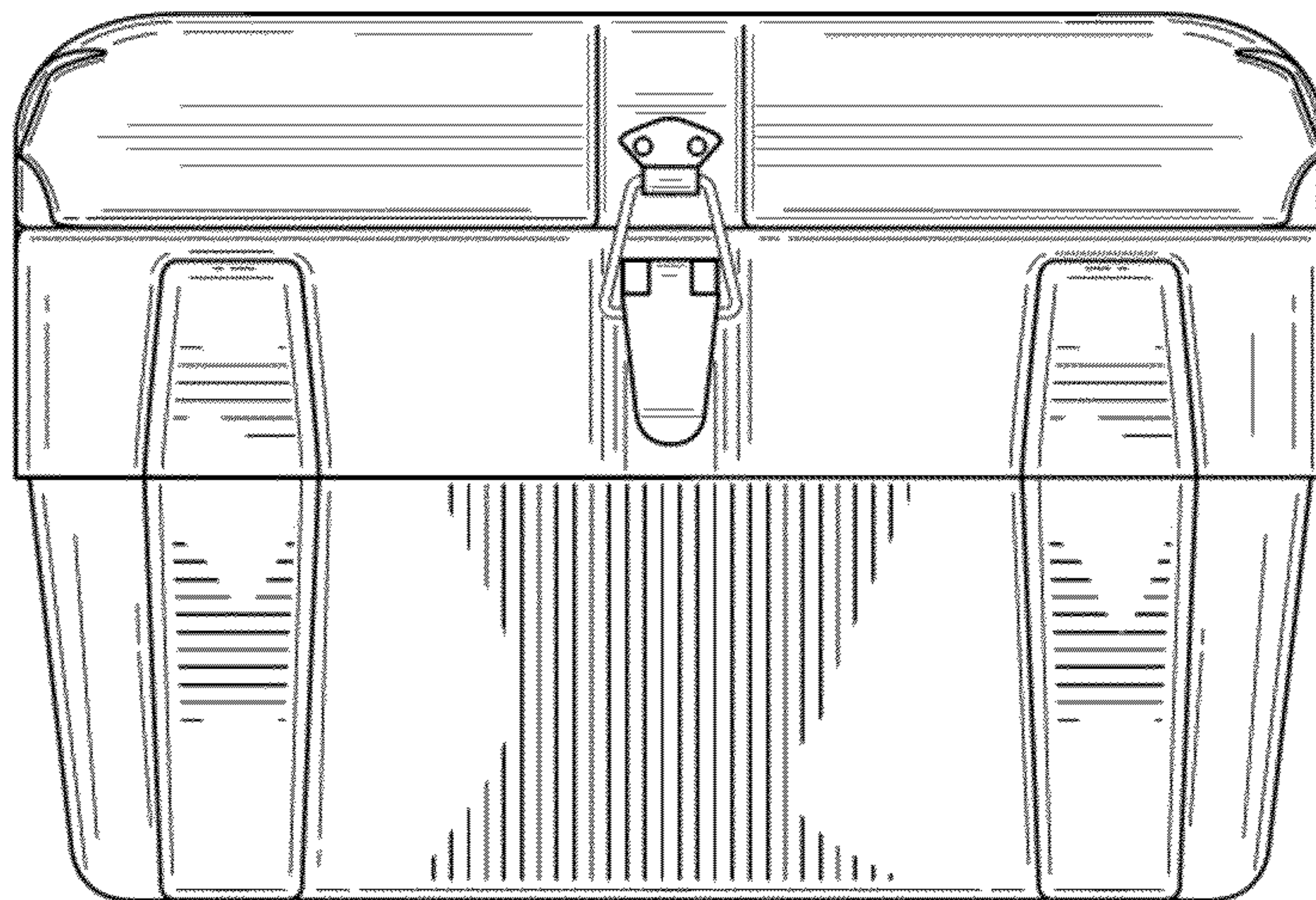


FIG. 7

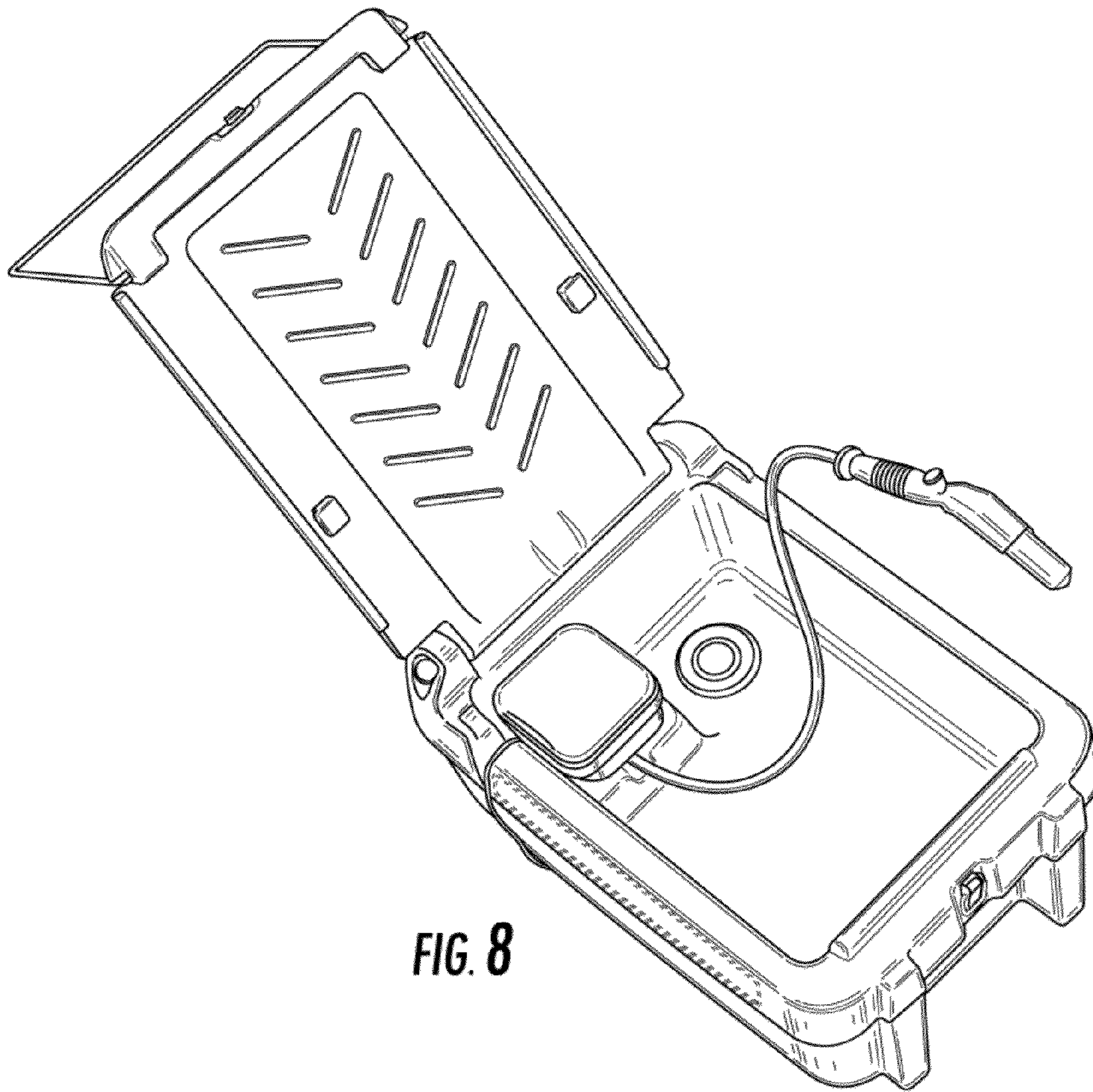


FIG. 8

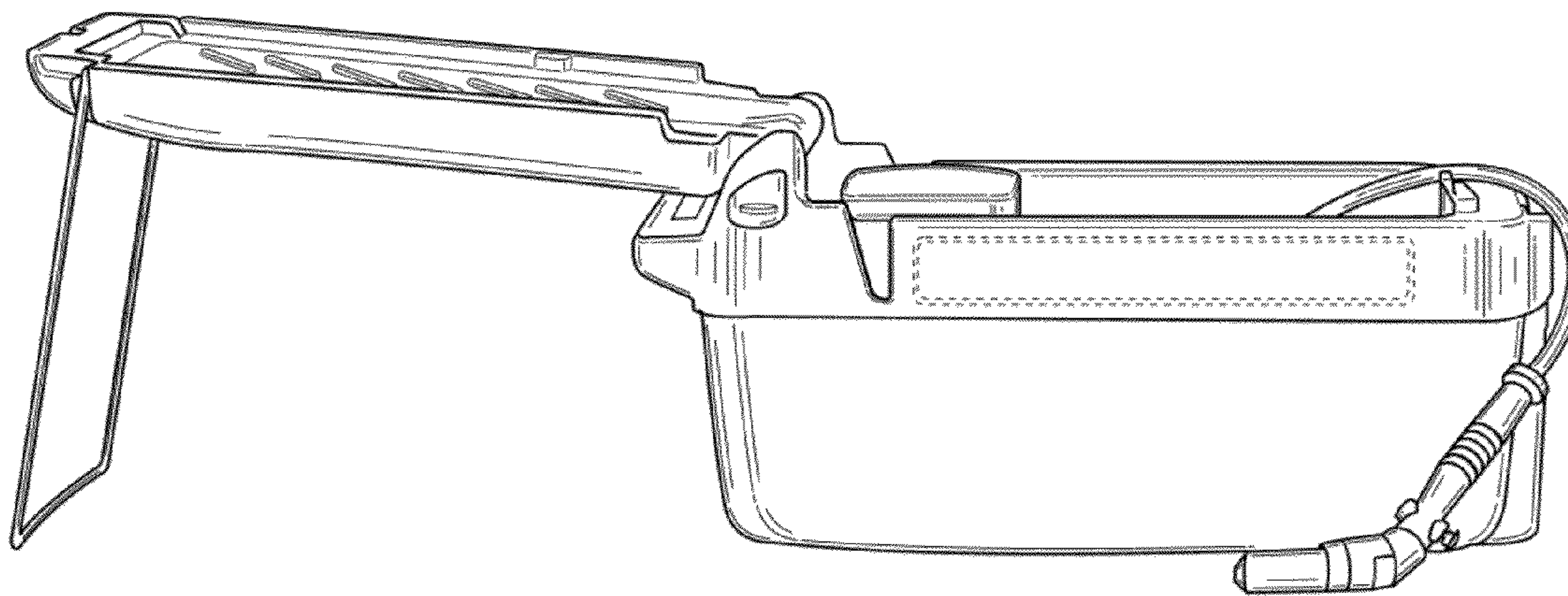


FIG. 9