



US00D733978S

(12) **United States Design Patent**
Bayless

(10) **Patent No.:** **US D733,978 S**

(45) **Date of Patent:** **** Jul. 7, 2015**

(54) **PET LEASH WITH STORAGE POUCH**

(71) Applicant: **Colleen Carr Bayless**, Laguna Niguel,
CA (US)

(72) Inventor: **Colleen Carr Bayless**, Laguna Niguel,
CA (US)

(**) Term: **14 Years**

(21) Appl. No.: **29/499,983**

(22) Filed: **Aug. 20, 2014**

(51) **LOC (10) Cl.** **30-04**

(52) **U.S. Cl.**
USPC **D30/153; D3/226**

(58) **Field of Classification Search**
USPC D30/144, 145, 151, 152, 153, 199
CPC ... A01K 27/00; A01K 27/003; A01K 27/005;
A01K 27/006; A01K 27/008; A45F 5/021;
E01H 2001/1273; E01H 2001/128
See application file for complete search history.

(56) **References Cited**

U.S. PATENT DOCUMENTS

5,233,942	A	8/1993	Cooper et al.	
5,441,017	A *	8/1995	Lindsay	119/795
5,718,192	A *	2/1998	Sebastian	119/795
5,727,500	A *	3/1998	Conboy	119/174
D393,504	S *	4/1998	Eisman	D30/153
D408,598	S *	4/1999	Martell	D30/153
5,890,637	A *	4/1999	Furieux	224/191
5,950,571	A *	9/1999	Schade	119/859
6,019,067	A *	2/2000	Carey	119/795
D425,266	S *	5/2000	Rubinstein	D30/153
6,073,590	A *	6/2000	Polding	119/795
6,085,695	A	7/2000	Miller et al.	
D454,416	S *	3/2002	Kaplan	D30/153
6,418,881	B1	7/2002	Starratt	
D492,454	S *	6/2004	Saunders	D30/153

D509,329	S	9/2005	Willner et al.	
D553,853	S	10/2007	Willows et al.	
D613,500	S	4/2010	Overton	
D618,907	S	7/2010	Overton	
D651,767	S	1/2012	Dias	
D653,028	S	1/2012	Willows et al.	
D685,957	S *	7/2013	Schiffman et al.	D30/153
D702,894	S *	4/2014	Bayless	D30/153
2008/0149235	A1 *	6/2008	Jay	150/143
2009/0095225	A1	4/2009	O'Connell	
2009/0205585	A1 *	8/2009	La Herran et al.	119/795

* cited by examiner

Primary Examiner — Martie K Holtje

(74) *Attorney, Agent, or Firm* — Stetina Brunda Garred & Brucker

(57) **CLAIM**

The ornamental design for a pet leash with storage pouch, as shown and described.

DESCRIPTION

FIG. 1 is an upper perspective view of the pet leash with storage pouch of the present invention showing the new design;

FIG. 2 is a lower perspective view thereof;

FIG. 3 is a top plan view thereof;

FIG. 4 is a front elevational view thereof;

FIG. 5 is a bottom plan view thereof;

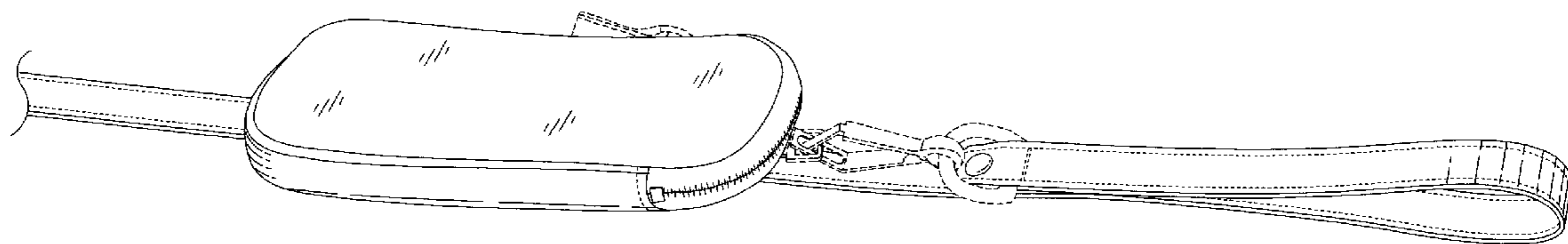
FIG. 6 is a rear elevational view thereof; and

FIG. 7 is an end elevational view thereof; and,

FIG. 8 is an end elevational view opposite to the end depicted in FIG. 7.

The hardware and zipper pulls depicted by broken lines in the drawings have been shown for the purpose of illustrating portions of the pet leash with storage pouch that form no part of the claimed design.

1 Claim, 3 Drawing Sheets



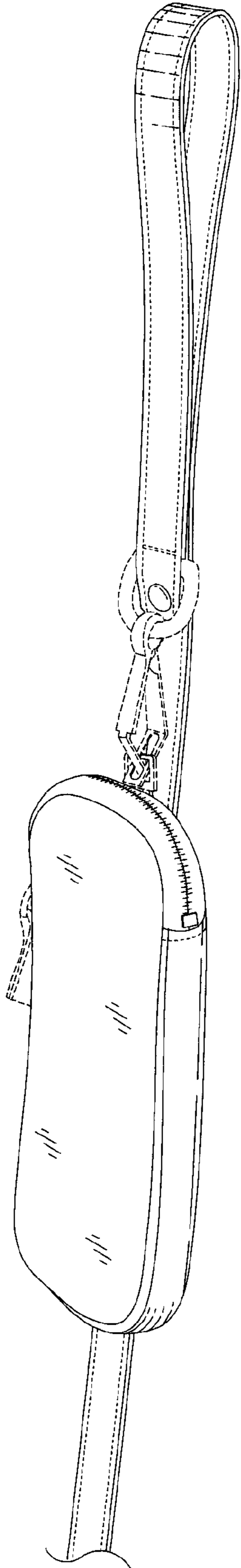


Fig. 1

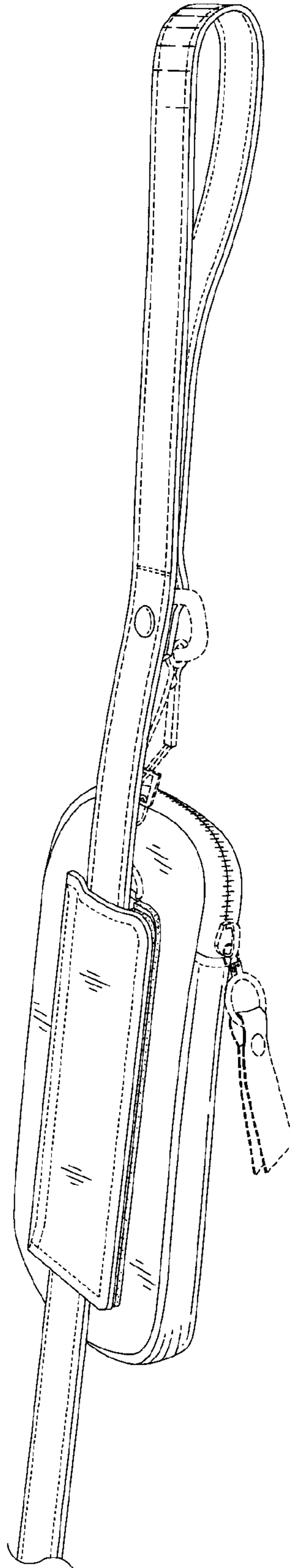


Fig. 2

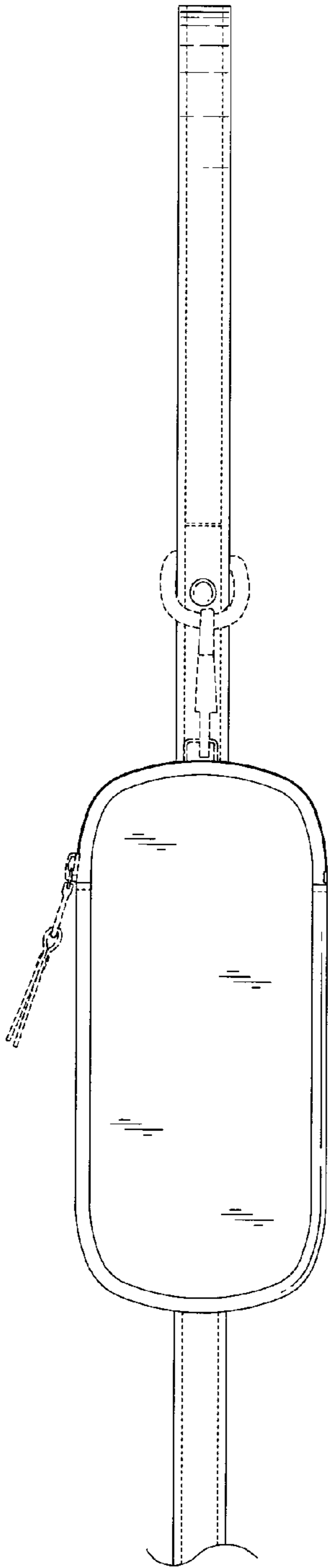


Fig. 3

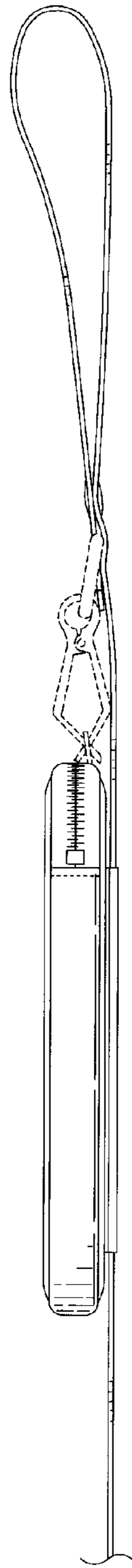


Fig. 4

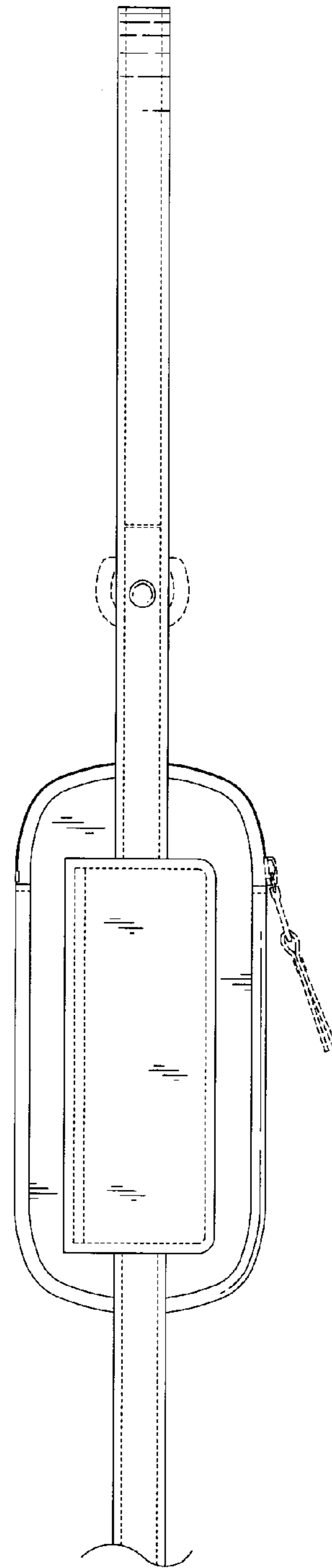


Fig. 5

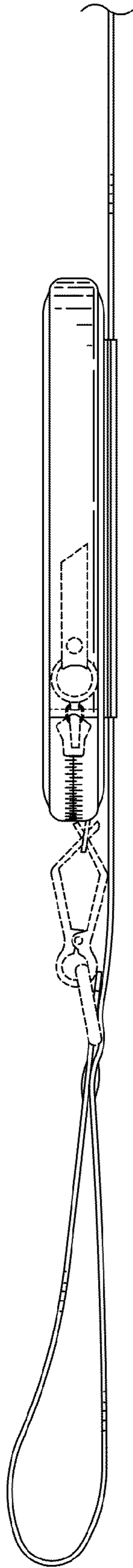


Fig. 6

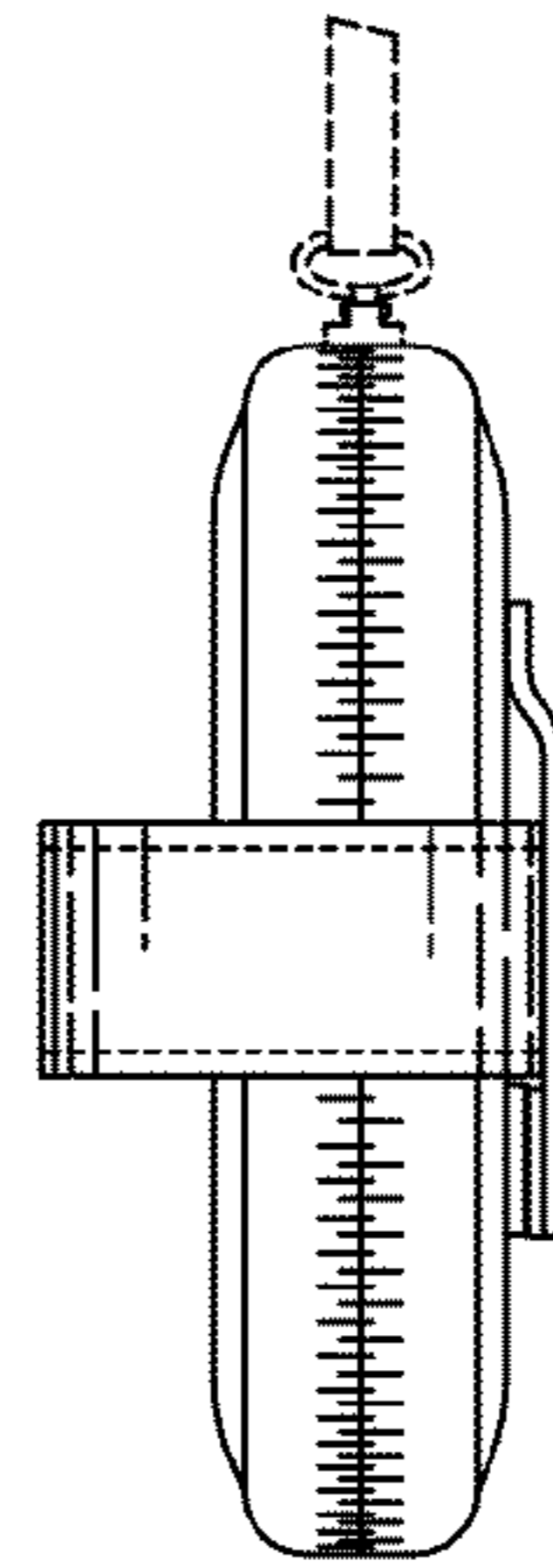


Fig. 7

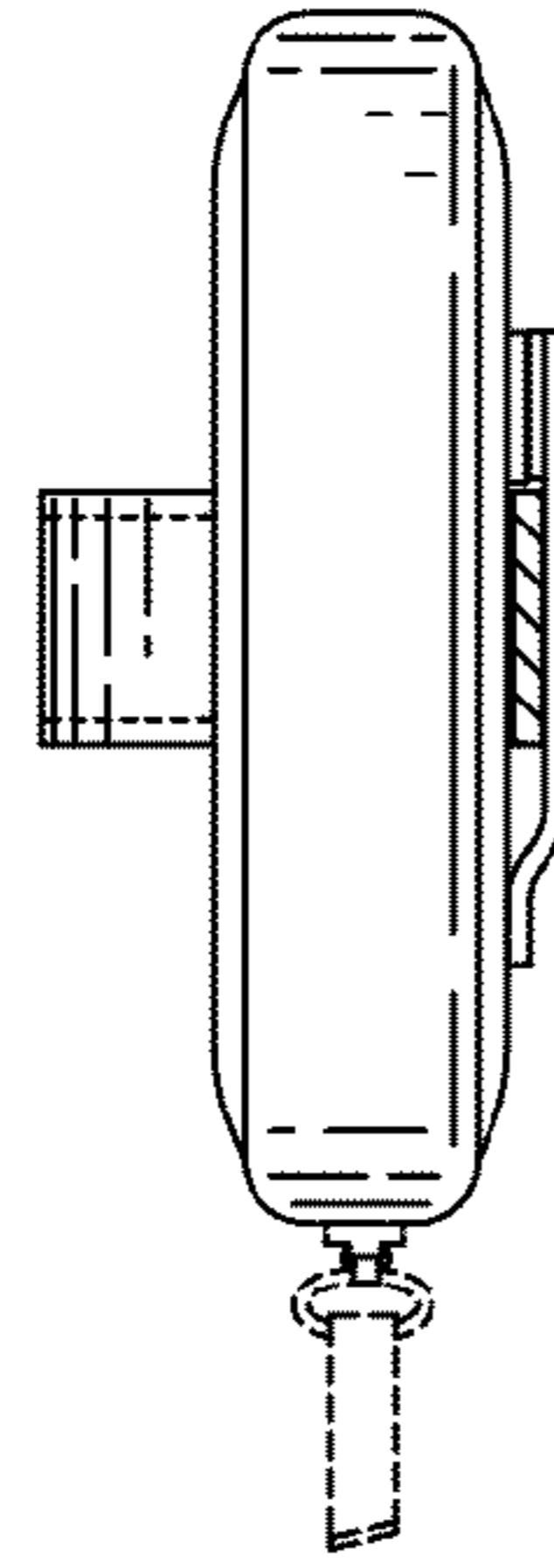


Fig. 8