



US00D733977S

(12) **United States Design Patent**
Lang

(10) **Patent No.:** **US D733,977 S**

(45) **Date of Patent:** **** Jul. 7, 2015**

(54) **ANKLE OR BICYCLE ACCESSORY STRAP**

(56) **References Cited**

(71) Applicant: **ANDREW LANG PRODUCT DESIGN LIMITED**, London (GB)

U.S. PATENT DOCUMENTS

(72) Inventor: **Andrew Lang**, London (GB)

D369,568	S	*	5/1996	Sloot	D10/111
6,953,064	B2	*	10/2005	Golz	139/383 R
7,121,628	B2	*	10/2006	Lo	297/482
D636,659	S	*	4/2011	Rothbaum et al.	D8/356
D645,333	S	*	9/2011	Rothbaum et al.	D8/356
D667,291	S	*	9/2012	Rothbaum et al.	D8/356
D675,505	S	*	2/2013	Rothbaum et al.	D8/356
8,397,354	B2	*	3/2013	Hanlon	24/442
D682,070	S	*	5/2013	Rothbaum et al.	D8/356
D685,254	S	*	7/2013	Rothbaum et al.	D8/356
D685,484	S	*	7/2013	Brambilla	D24/190

(73) Assignee: **ANDREW LANG PRODUCT DESIGN LIMITED**, London (GB)

(**) Term: **14 Years**

(21) Appl. No.: **29/472,733**

* cited by examiner

(22) Filed: **Nov. 15, 2013**

Primary Examiner — Randall Gholson

(30) **Foreign Application Priority Data**

(74) *Attorney, Agent, or Firm* — Saul Ewing LLP

May 15, 2013 (EM) 002237586

(51) **LOC (10) Cl.** **29-02**

(57) **CLAIM**

The ornamental design for an ankle or bicycle accessory strap, as shown and described.

(52) **U.S. Cl.**

USPC **D29/120.1**

DESCRIPTION

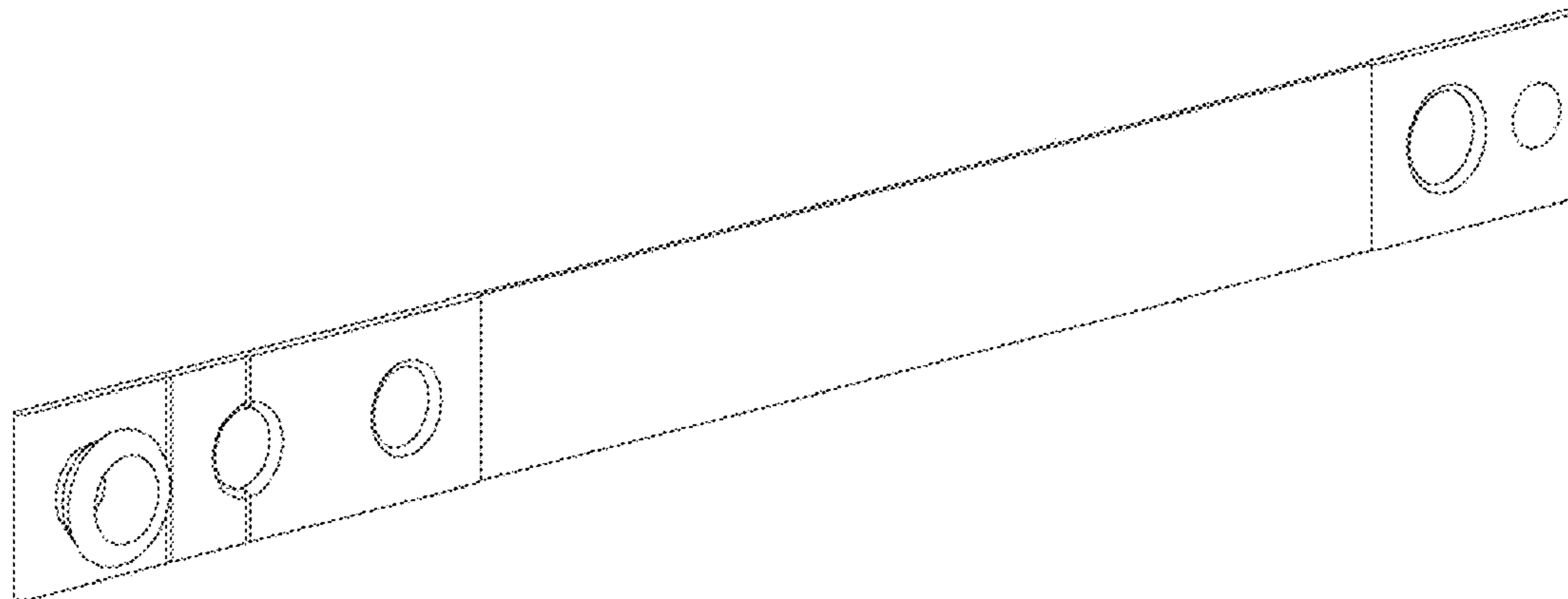
(58) **Field of Classification Search**

USPC D8/356, 354, 349; 220/575;
206/521.15; 439/501; 381/374;
D29/120.1; 24/302, 16 R, 306;
D14/217, 205; 224/651

FIG. 1 is a front perspective view of an ankle or bicycle accessory strap;
FIG. 2 is a front view thereof;
FIG. 3 is a back view thereof;
FIG. 4 is a side view thereof;
FIG. 5 is a top view thereof;
FIG. 6 is a top section view thereof; and,
FIG. 7 is a closed front perspective view thereof.

CPC A44B 13/00; A44B 17/00; A45C 13/30
See application file for complete search history.

1 Claim, 2 Drawing Sheets



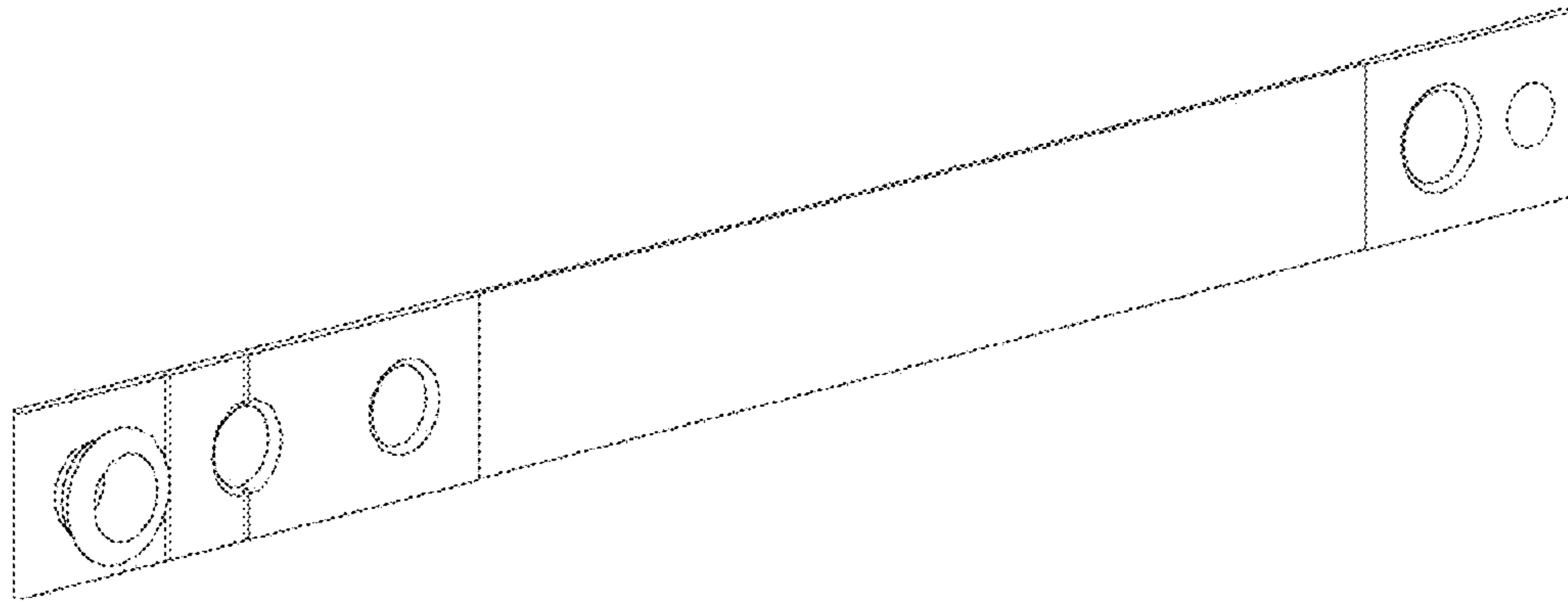


Figure 1

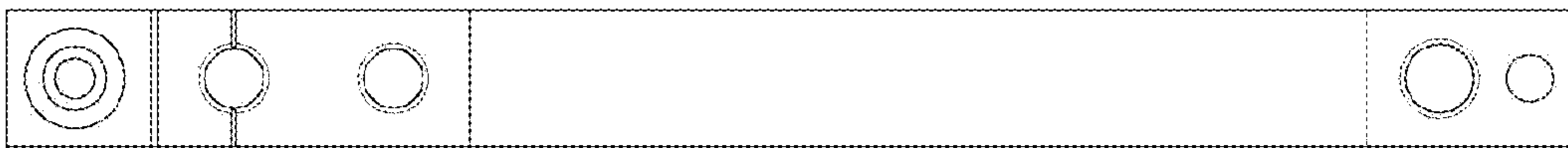


Figure 2



Figure 3



Figure 4



Figure 5

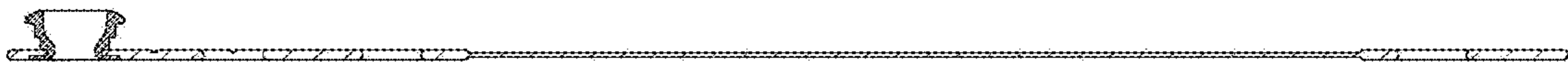


Figure 6

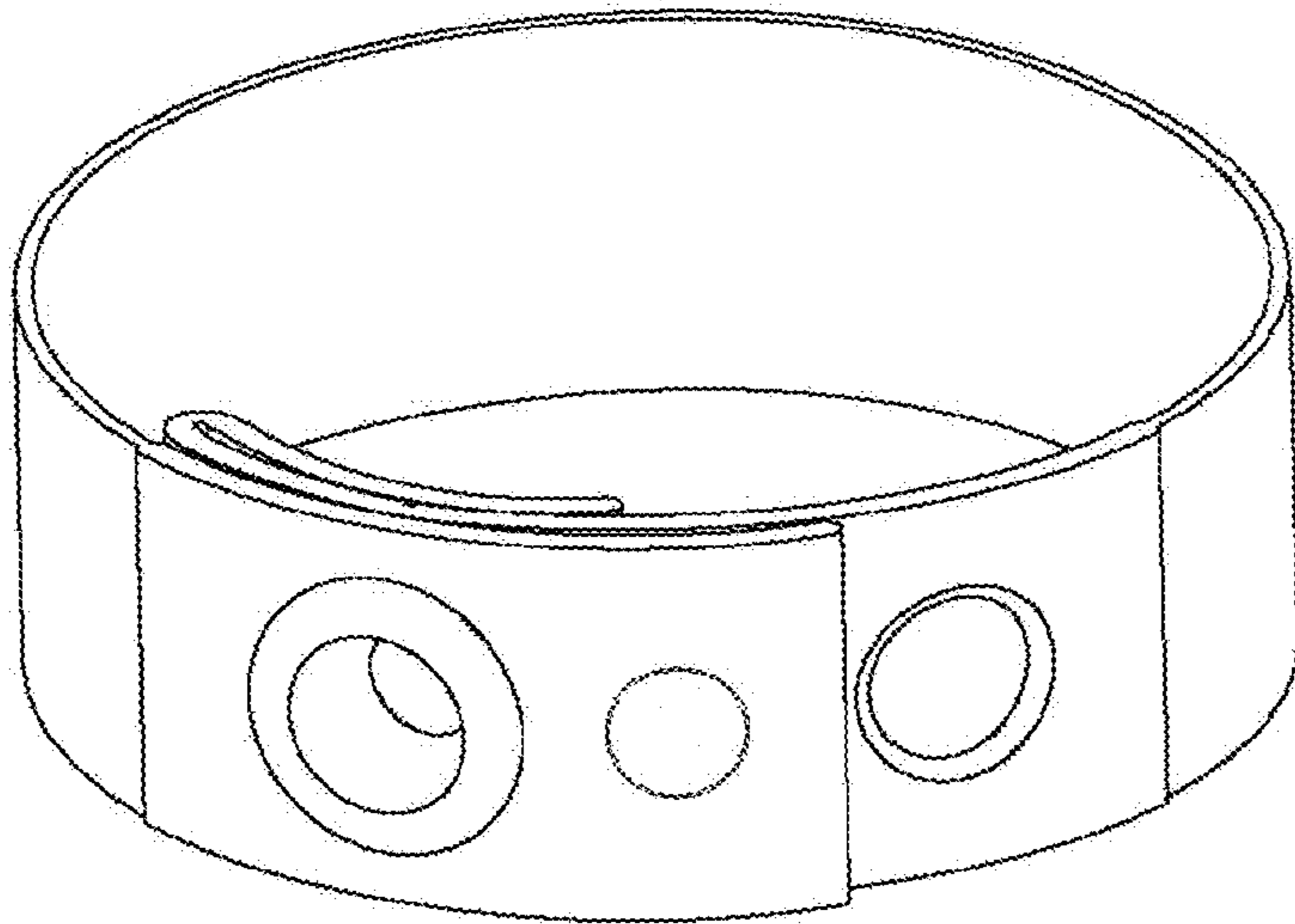


Figure 7