

US00D733969S

(12) **United States Design Patent**
Kun

(10) **Patent No.:** **US D733,969 S**

(45) **Date of Patent:** **** Jul. 7, 2015**

- (54) **VEST**
- (71) Applicant: **Bunthoeun Kun**, Stockon, CA (US)
- (72) Inventor: **Bunthoeun Kun**, Stockon, CA (US)
- (73) Assignee: **Bunthoeun Kun**, Stockton, CA (US)

5,974,585	A *	11/1999	Bachner, Jr.	2/2.5
5,996,115	A *	12/1999	Mazelsky	2/2.5
6,526,862	B1 *	3/2003	Lyons	89/36.05
6,681,400	B1 *	1/2004	Mills	2/2.5
7,424,748	B1 *	9/2008	McDunn et al.	2/2.5
D600,055	S *	9/2009	Hanes	D6/523
D617,501	S *	6/2010	Richardson	D29/101.3
D684,513	S *	6/2013	Spencer et al.	D12/193

(**) Term: **14 Years**

* cited by examiner

(21) Appl. No.: **29/449,321**

Primary Examiner — Randall Gholson

(22) Filed: **Mar. 14, 2013**

(74) *Attorney, Agent, or Firm* — Morgan, Lewis & Bockius LLP

(51) **LOC (10) Cl.** **29-02**

(52) **U.S. Cl.**
USPC **D29/101.4**

(57) **CLAIM**
The ornamental design for a vest, as shown and described.

(58) **Field of Classification Search**
USPC D29/10, 11, 99, 100, 101.2, 101.3; 2/2, 2/2.5, 27, 44.45, 69, 92, 102, 108, 268, 2/326, 410, 411, 412, 413; 428/113, 911; 89/36.01, 36.02, 36.05; D24/64; 280/290, 808
CPC F41H 1/00; A41D 1/00
See application file for complete search history.

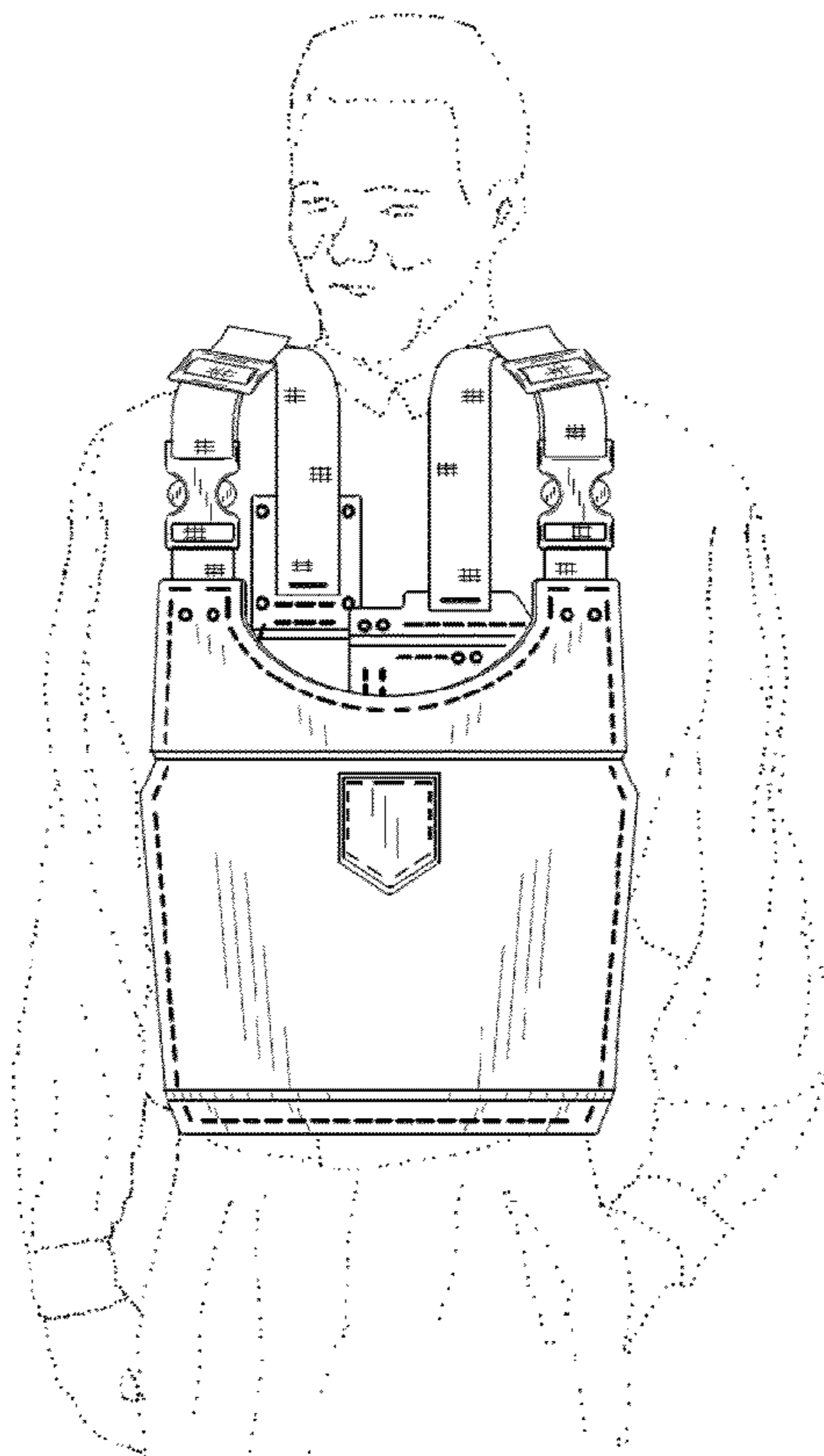
DESCRIPTION

FIG. 1 is a front view of a vest showing my new design; FIG. 2 is a second front view thereof; FIG. 3 is an alternate right side view thereof; FIG. 4 is an alternate rear view thereof; FIG. 5 is an alternate left side view thereof; and, FIG. 6 is an alternate top view thereof. The broken lines shown in the drawings show stitching and are a part of the claimed design.

(56) **References Cited**
U.S. PATENT DOCUMENTS

5,471,906 A * 12/1995 Bachner et al. 2/2.5

1 Claim, 6 Drawing Sheets



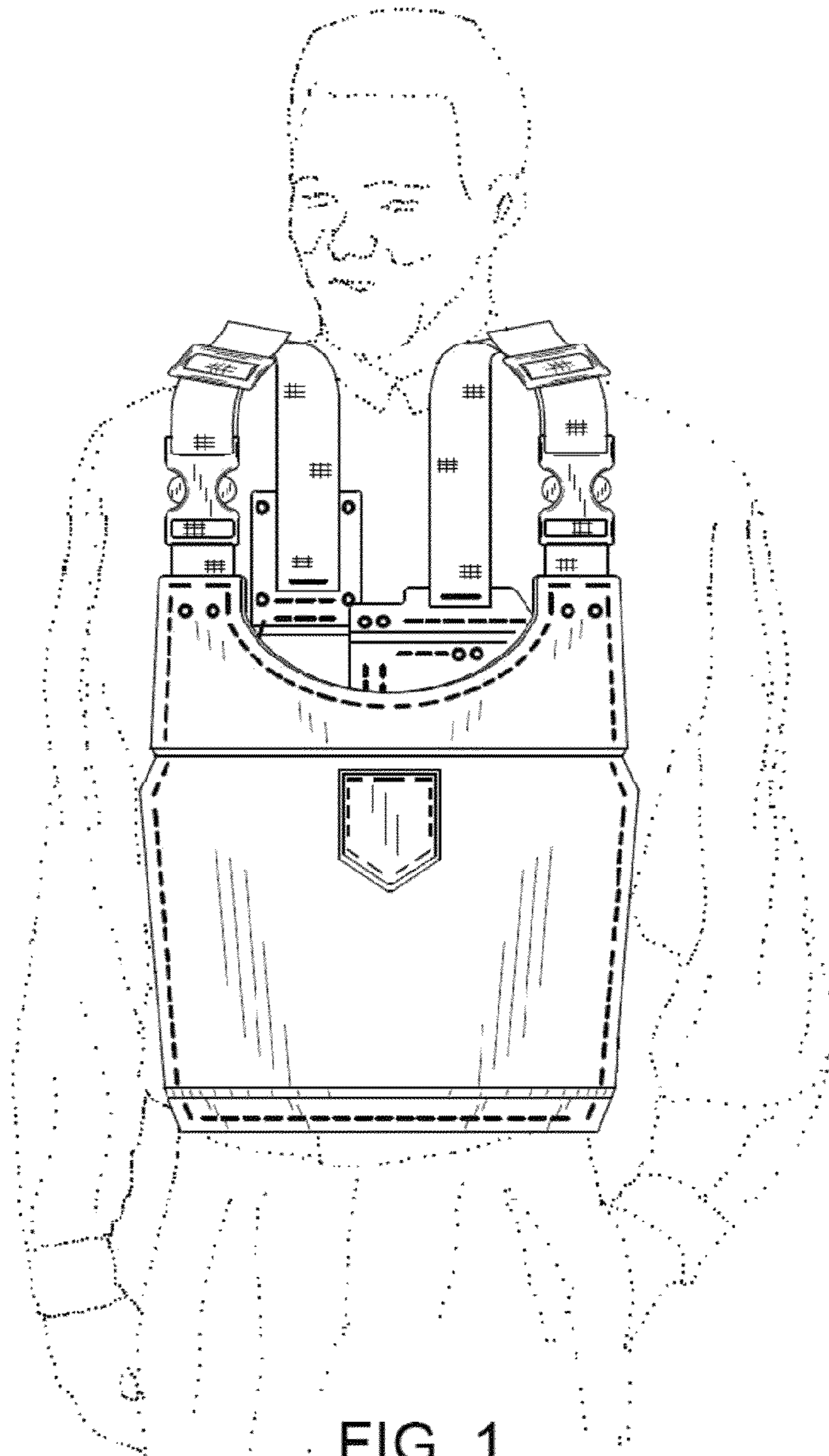


FIG. 1

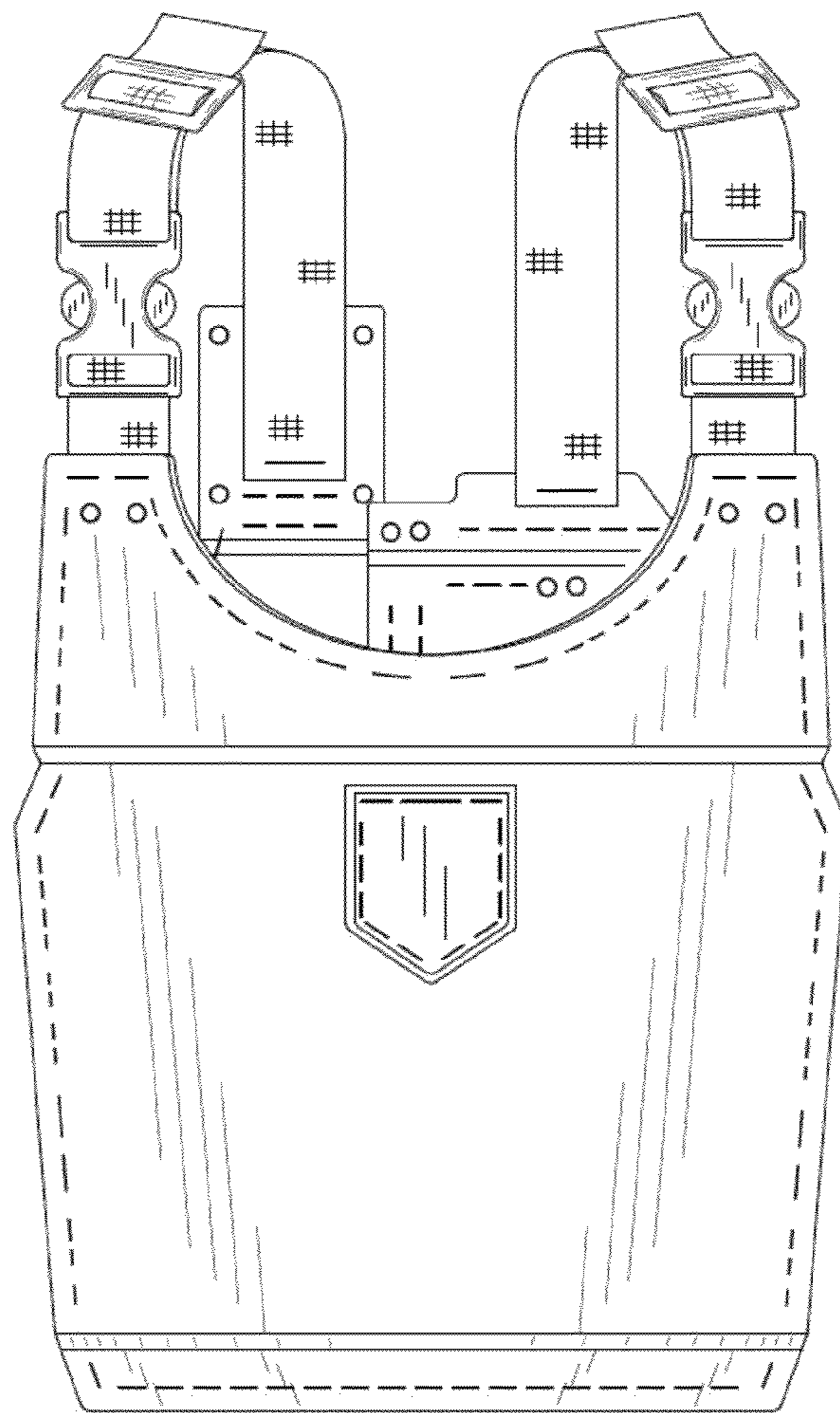


FIG. 2

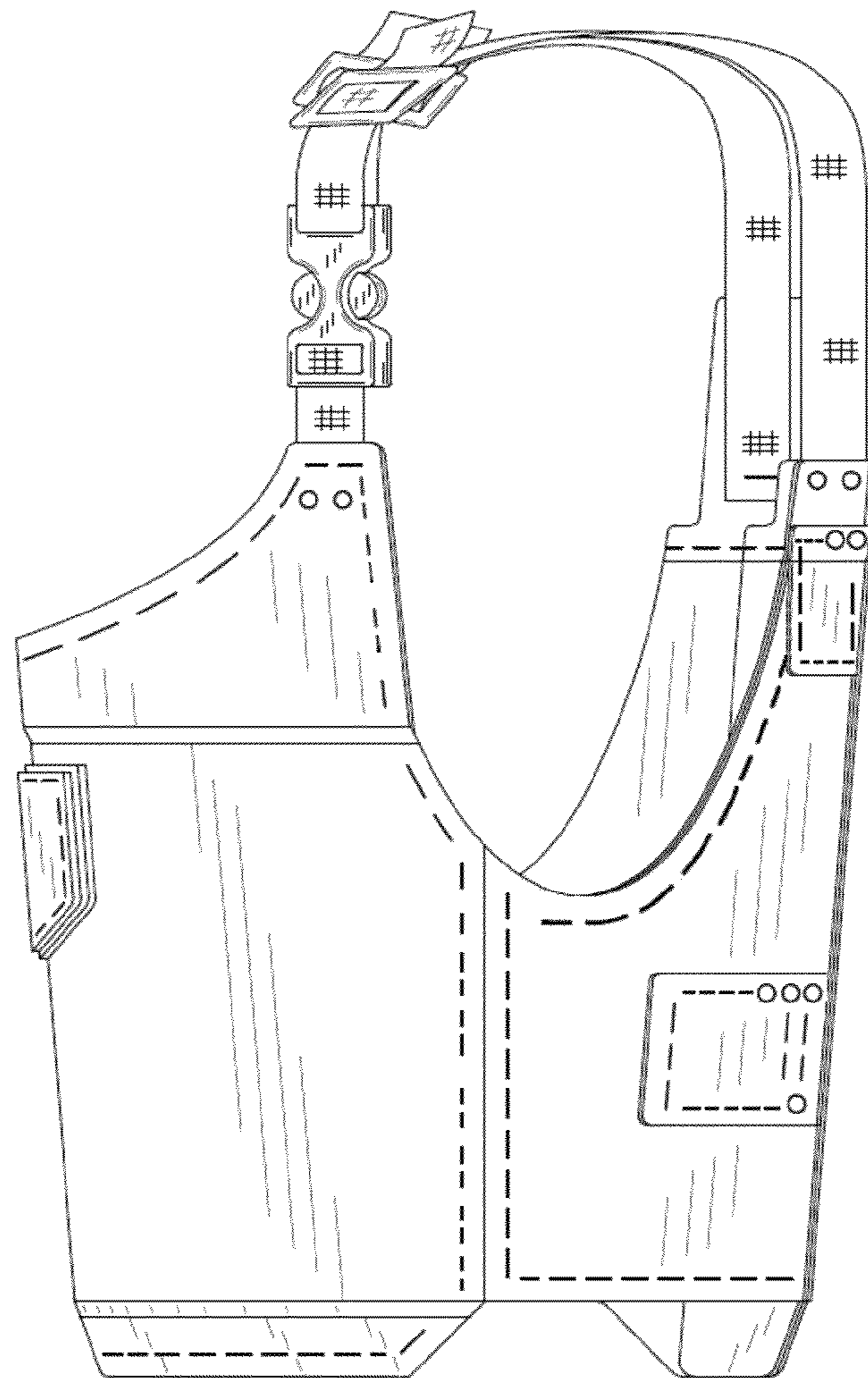


FIG. 3

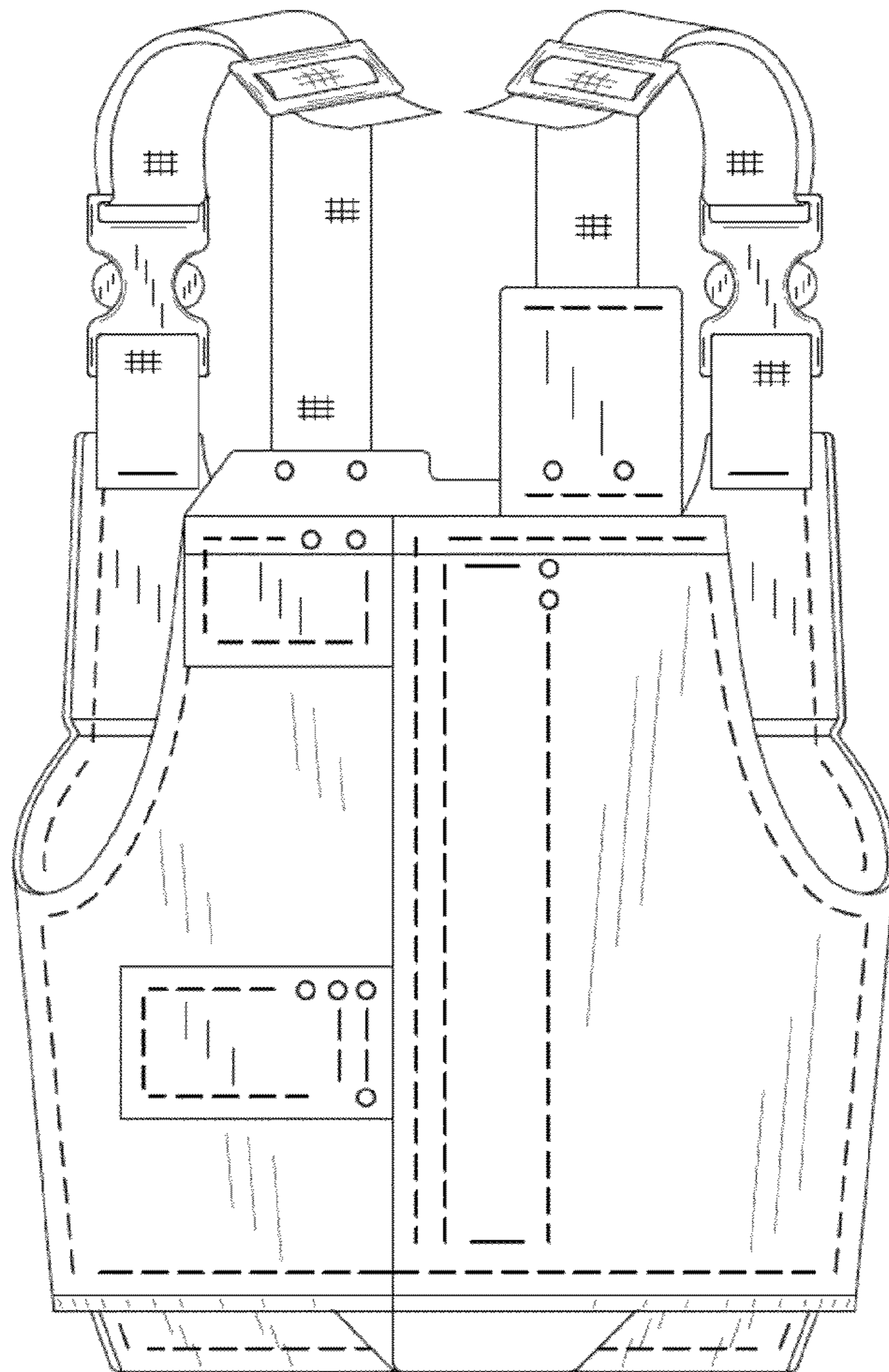


FIG. 4

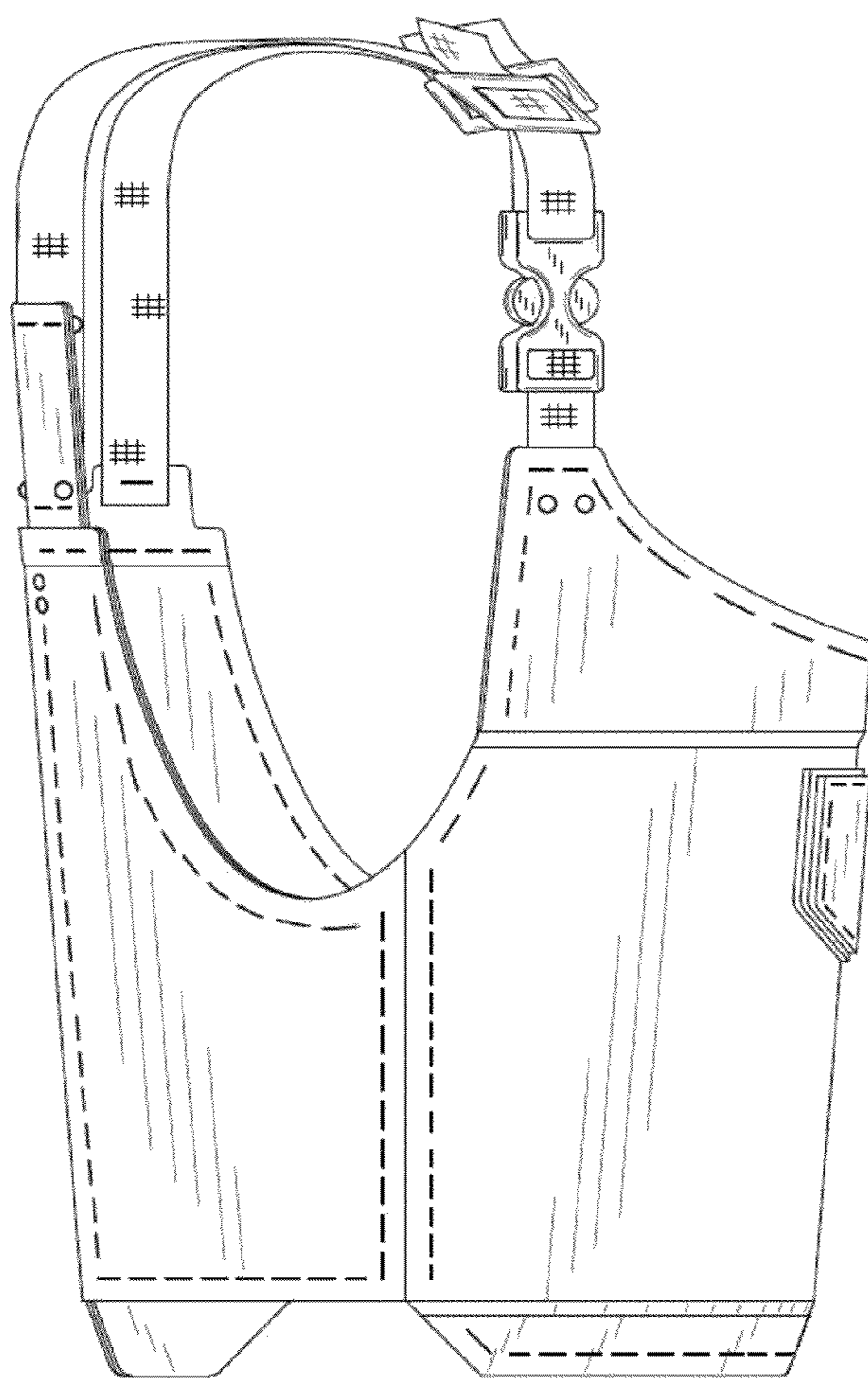


FIG. 5

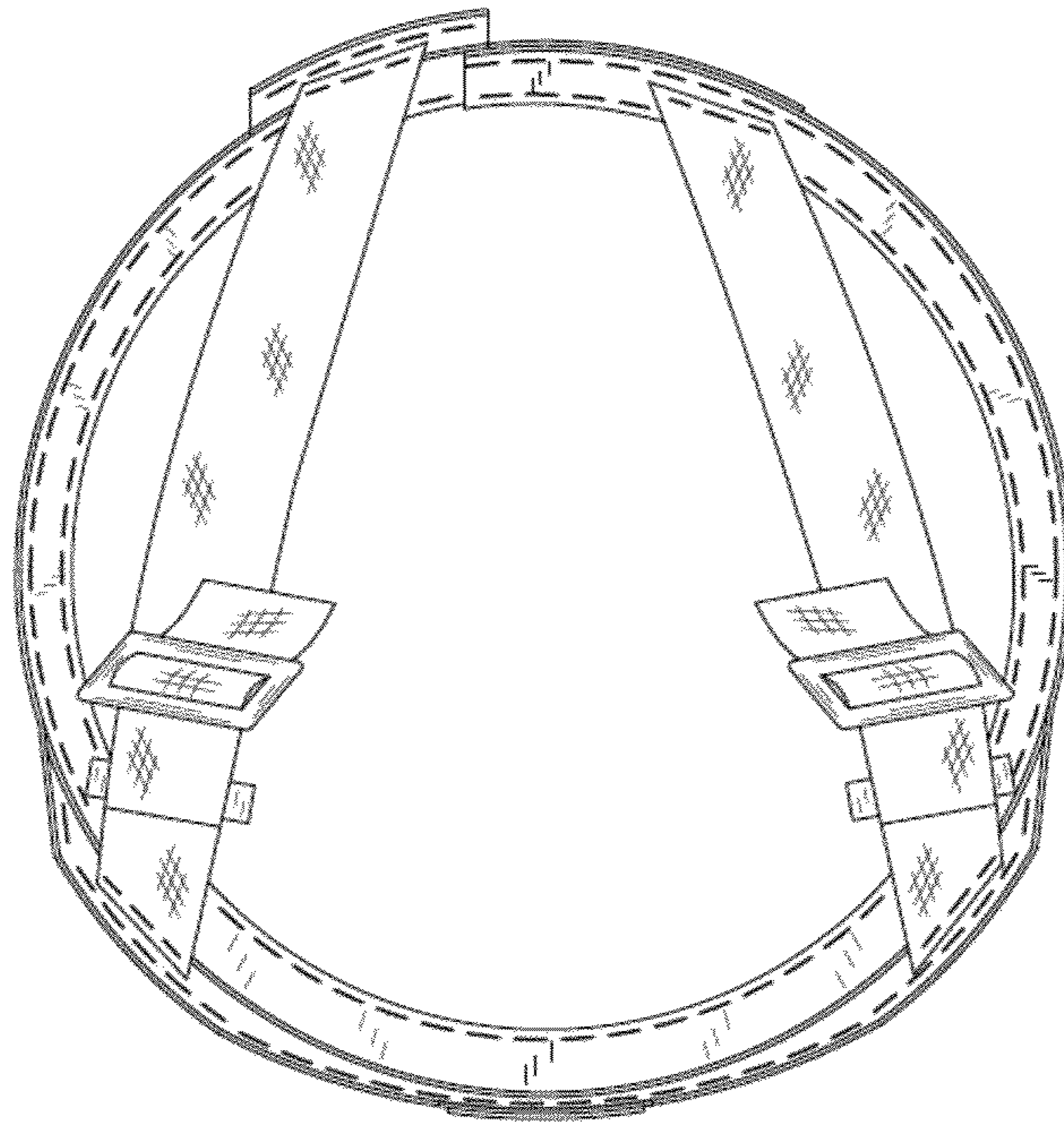


FIG. 6