



US00D733968S

(12) **United States Design Patent**  
**Vandenberg**

(10) **Patent No.:** **US D733,968 S**

(45) **Date of Patent:** **\*\* Jul. 7, 2015**

(54) **ANIMAL ESCORT SHIELD**  
(71) Applicant: **Garry Vandenberg**, Harper Woods, MI (US)  
(72) Inventor: **Garry Vandenberg**, Harper Woods, MI (US)

5,850,052	A *	12/1998	Gabriel	89/36.05
6,131,524	A *	10/2000	Nepper, Sr.	109/49.5
6,367,363	B1 *	4/2002	Widmont	89/36.07
6,389,949	B1 *	5/2002	Carreira	89/36.07
6,925,966	B1 *	8/2005	Wexler	119/850
D512,797	S *	12/2005	Canavan et al.	D29/122
6,990,887	B1 *	1/2006	O'Donnell	89/36.07
7,971,516	B2 *	7/2011	Hogan	89/36.07
8,276,498	B1 *	10/2012	Hannibal et al.	89/36.07
8,356,540	B2 *	1/2013	Priebe et al.	89/36.07

(\*\*) Term: **14 Years**

\* cited by examiner

(21) Appl. No.: **29/484,758**

*Primary Examiner* — Randall Gholson

(22) Filed: **Mar. 12, 2014**

(51) **LOC (10) Cl.** ..... **29-02**

(57) **CLAIM**

(52) **U.S. Cl.**  
USPC ..... **D29/100**

The ornamental design for an improved animal escort shield, as shown and described.

(58) **Field of Classification Search**  
USPC ..... D11/95, 96, 99, 131-133, 140;  
D22/199; D29/100, 101.1, 101.3, 108;  
89/36.01, 36.02, 36.05, 36.06; 2/455,  
2/2.5; 109/49.5; 428/542.2, 542.4, 542.6  
CPC ..... F41H 5/08; F41H 5/00  
See application file for complete search history.

**DESCRIPTION**

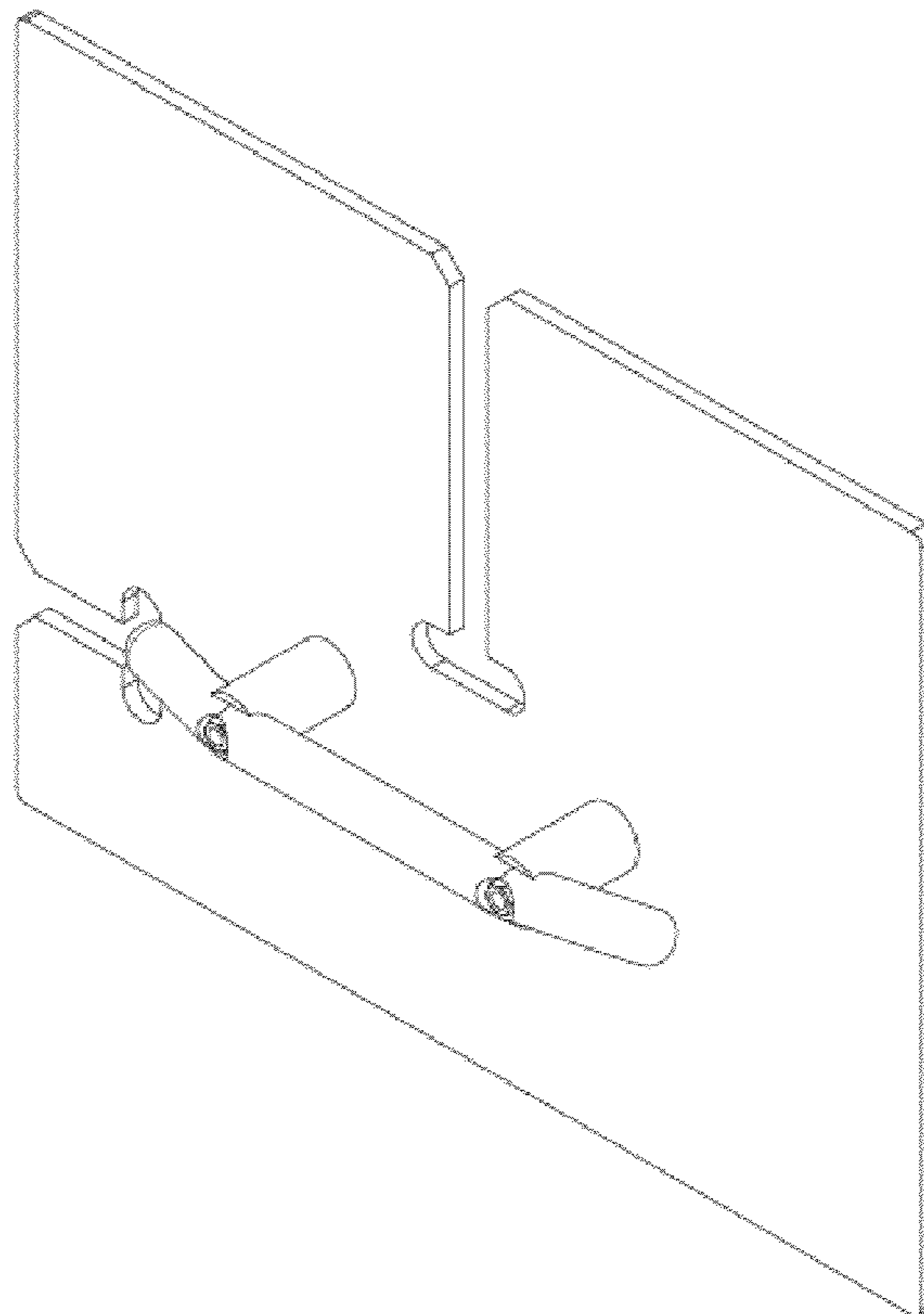
FIG. 1 is a perspective view of an improved animal escort shield;  
FIG. 2 is a top view thereof;  
FIG. 3 is a bottom view thereof;  
FIG. 4 is a right side view thereof;  
FIG. 5 is a left side view thereof;  
FIG. 6 is a front view thereof; and,  
FIG. 7 is a back view thereof.

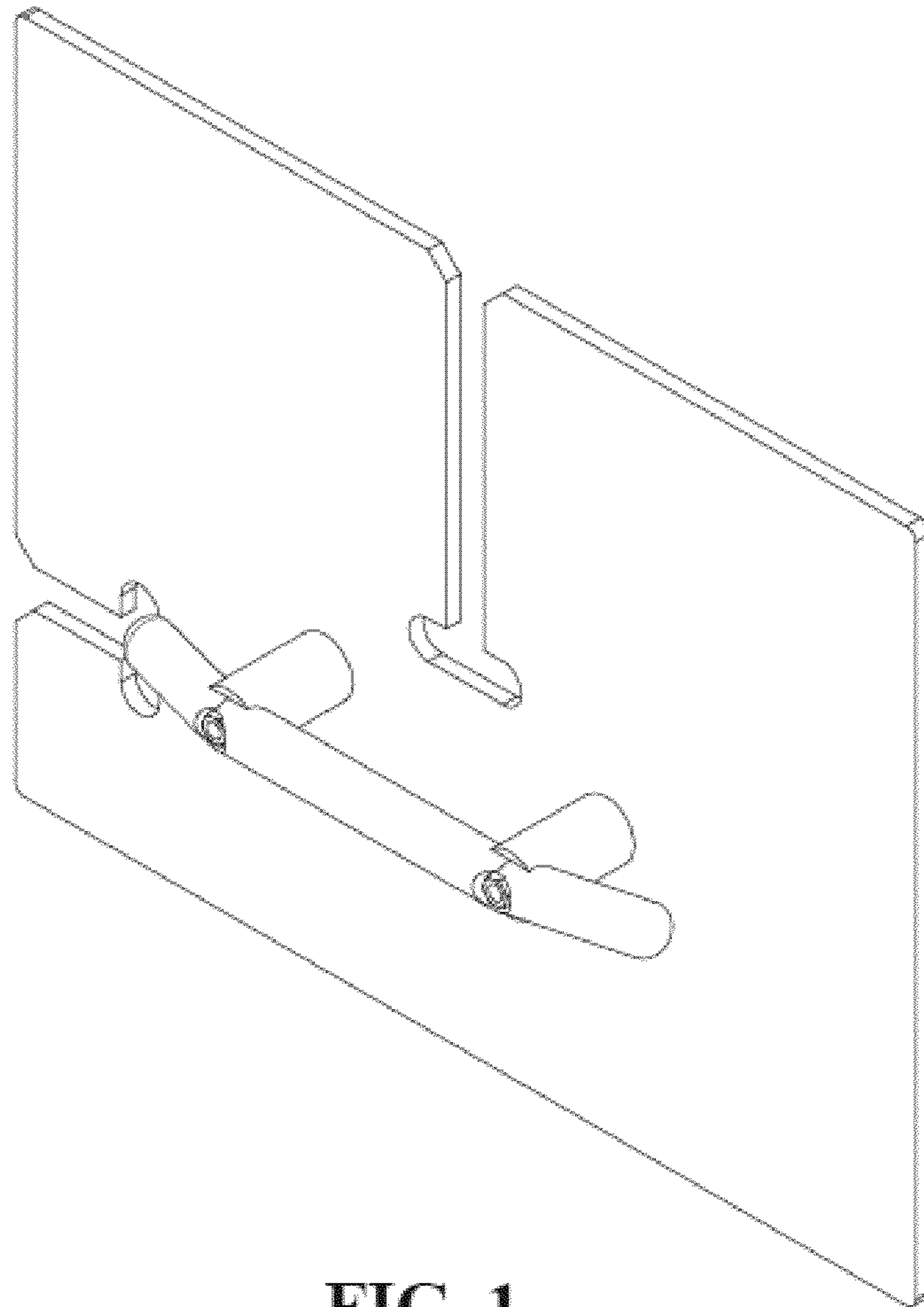
(56) **References Cited**

**U.S. PATENT DOCUMENTS**

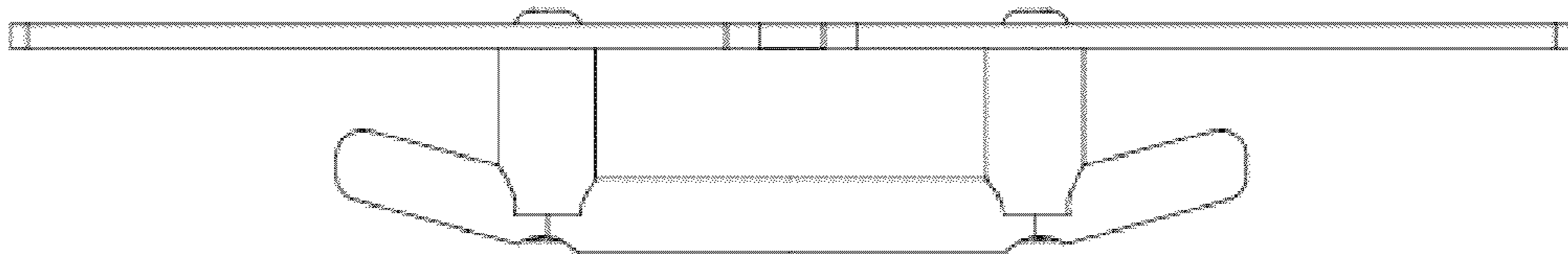
3,370,302	A *	2/1968	Karlyn	2/2.5
3,476,107	A *	11/1969	Matt, Jr. et al.	128/869

**1 Claim, 4 Drawing Sheets**

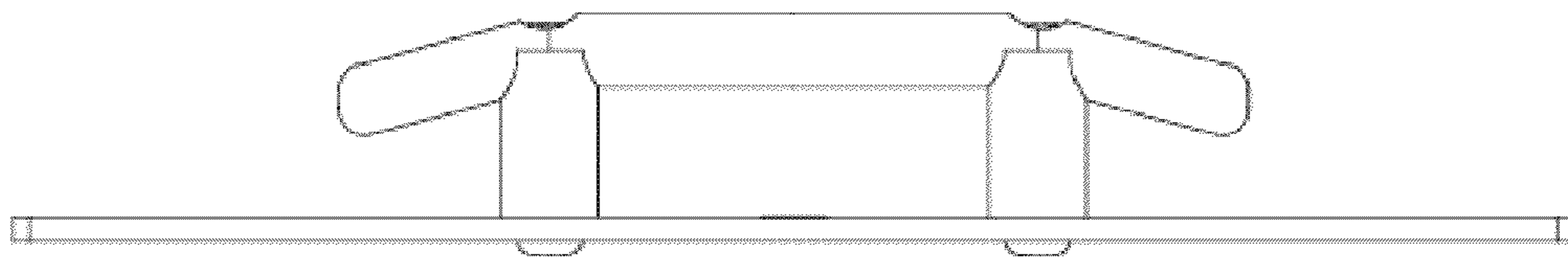




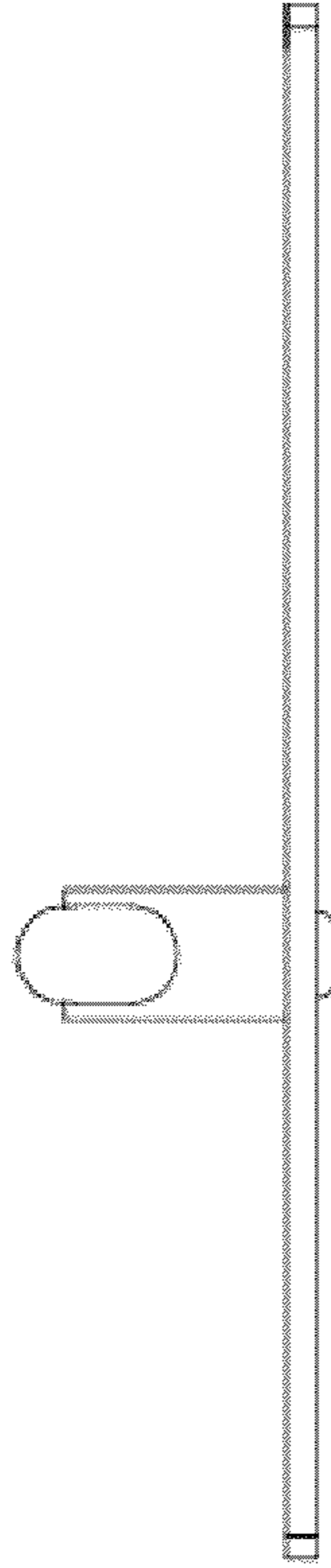
**FIG. 1**



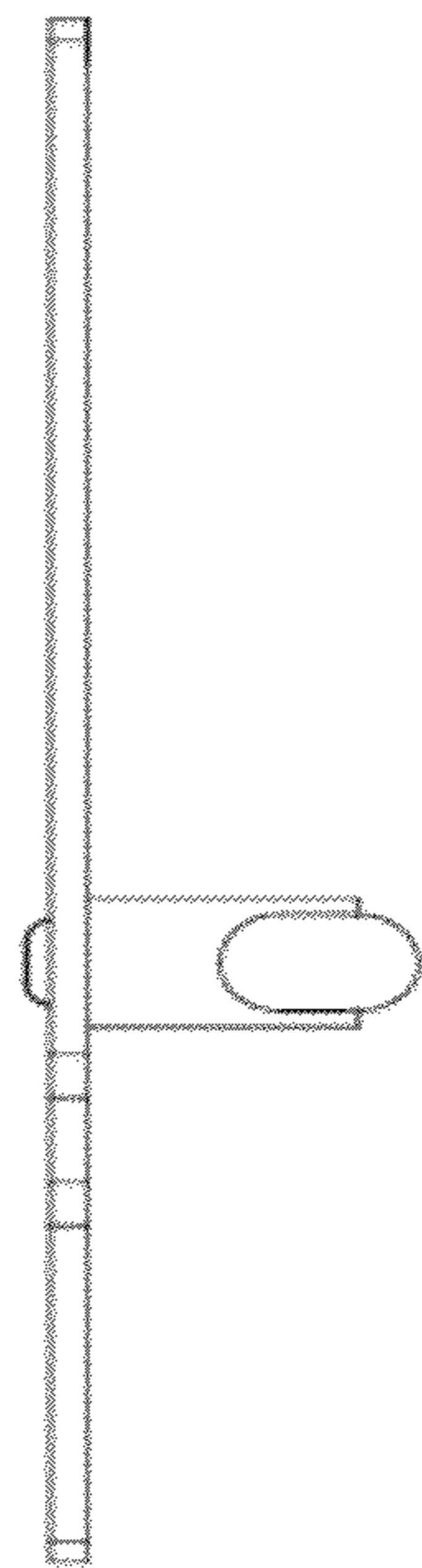
**FIG. 2**



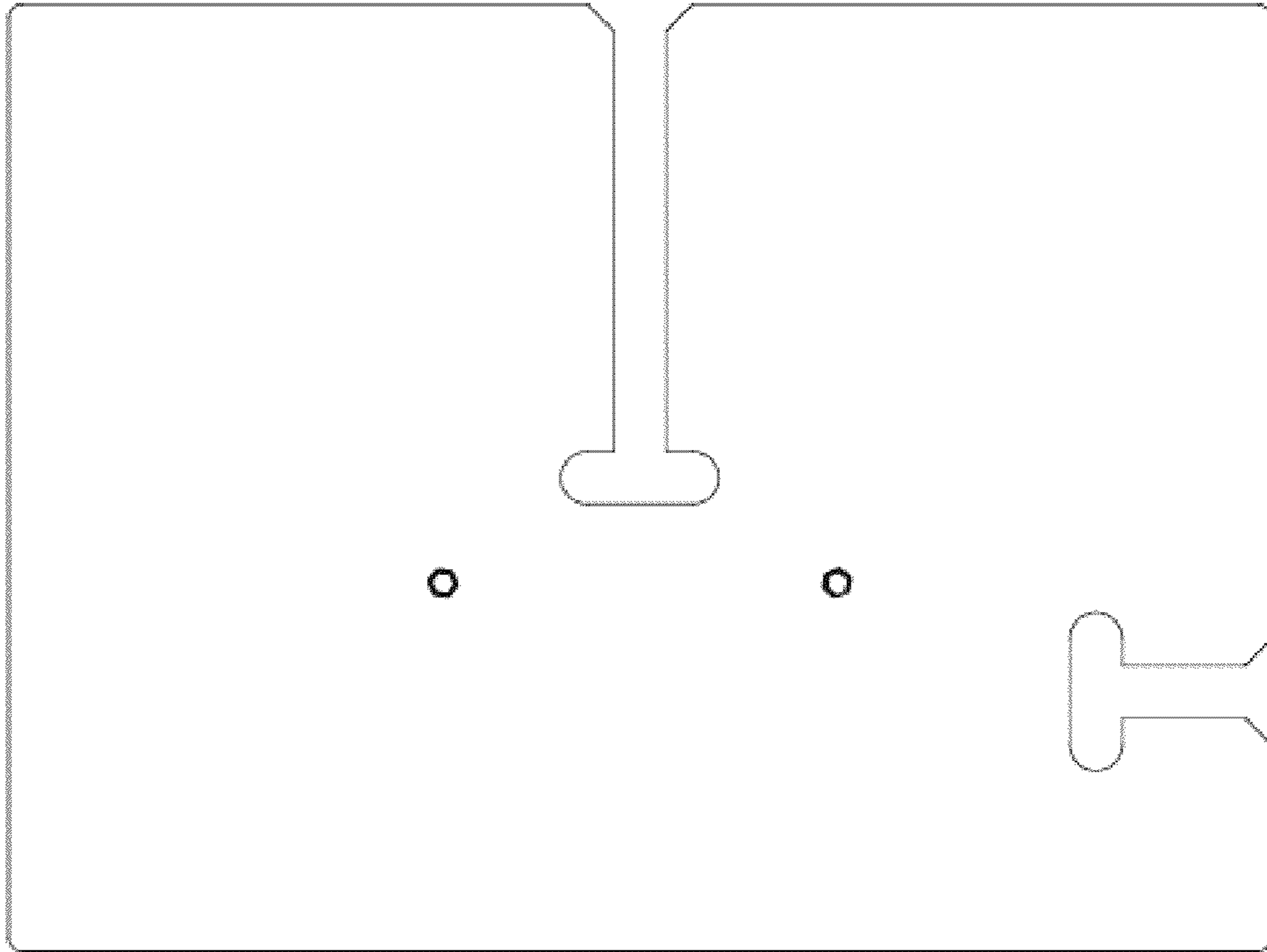
**FIG. 3**



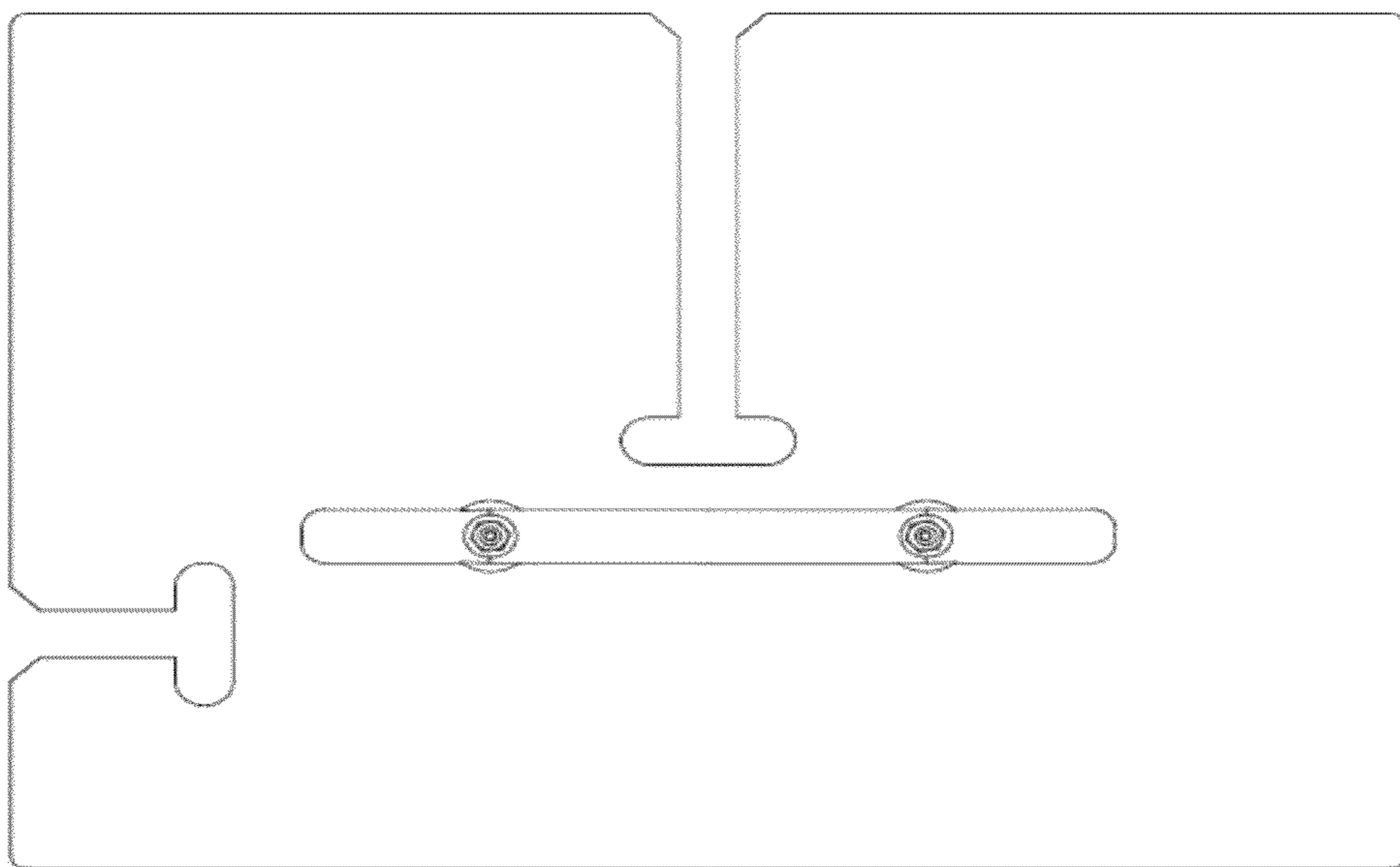
**FIG. 4**



**FIG. 5**



**FIG. 6**



**FIG. 7**