



US00D733967S

(12) **United States Design Patent**
Schlatter

(10) **Patent No.:** **US D733,967 S**

(45) **Date of Patent:** **** Jul. 7, 2015**

(54) **LIP BALM CONTAINER**

(71) Applicant: **ORALABS, INC.**, Parker, CO (US)

(72) Inventor: **Gary Schlatter**, Englewood, CO (US)

(**) Term: **14 Years**

(21) Appl. No.: **29/473,648**

(22) Filed: **Nov. 25, 2013**

(51) **LOC (10) Cl.** **28-03**

(52) **U.S. Cl.**

USPC **D28/88**; D28/85; D9/504; D9/529

(58) **Field of Classification Search**

USPC D28/85-90, 7, 77, 83, 76; 132/317,
132/320, 318; 206/581, 823; 401/68, 88,
401/98, 126-130; D9/726, 503, 504, 770,
D9/432, 424, 529, 428, 551, 539, 561, 684,
D9/546, 556, 559, 569, 553, 566, 519, 541,
D9/542, 560, 438, 449, 721, 724, 733, 425,
D9/423; D7/672, 374, 326; D3/203.1,
D3/203.2, 203.5, 203.6, 203.7, 203.8, 2,
D3/273, 903, 207, 211, 270, 304, 279, 901,
D3/205, 302, 294, 271.1, 257, 245, 202,
D3/203.3, 203.4, 212; D1/127; D23/366;
D18/15, 16, 17; D19/108; D21/499,
D21/500, 488, 501

CPC A45D 34/04; A45D 34/041; A45D 40/26;
A45D 40/261; A45D 33/12; A45D 34/06

See application file for complete search history.

(56) **References Cited**

U.S. PATENT DOCUMENTS

663,415 A * 12/1900 Charles 220/4.21
1,807,239 A * 5/1931 Guentzler 118/270
D232,916 S * 9/1974 Bettonica D9/504
D262,438 S * 12/1981 Sears et al. D9/726
D280,975 S * 10/1985 Van Dine D9/504
D285,657 S * 9/1986 Poore D9/734

5,165,603 A * 11/1992 Hahn 239/55
D377,757 S * 2/1997 Bertolini et al. D9/746
D389,060 S * 1/1998 de Laforcade D9/448
D420,466 S * 2/2000 Coates et al. D28/76
D421,061 S * 2/2000 Yashar D19/70
D432,722 S * 10/2000 Wardlaw D28/76
D445,032 S * 7/2001 Hammer D9/504
D445,690 S * 7/2001 Ekkert D9/504
D480,307 S * 10/2003 Canamasas Puigbo D9/504
D484,644 S * 12/2003 Noh D28/76
D485,017 S * 1/2004 Noh D28/76
D486,393 S * 2/2004 Chuang D9/503
D493,721 S * 8/2004 Puigbo D9/504
D503,829 S * 4/2005 Tanii et al. D28/76

(Continued)

Primary Examiner — Marianne Pandozzi

Assistant Examiner — Jae Liang

(74) *Attorney, Agent, or Firm* — Welsh Flaxman & Gitler LLC

(57) **CLAIM**

The ornamental design for a lip balm container, as shown and described.

DESCRIPTION

FIG. 1 is a top perspective view of a lip balm container showing my new design;

FIG. 2 is a top view thereof;

FIG. 3 is a bottom perspective view thereof;

FIG. 4 is a bottom plan view thereof;

FIG. 5 is a front view thereof;

FIG. 6 is a rear view thereof;

FIG. 7 is a right side view thereof;

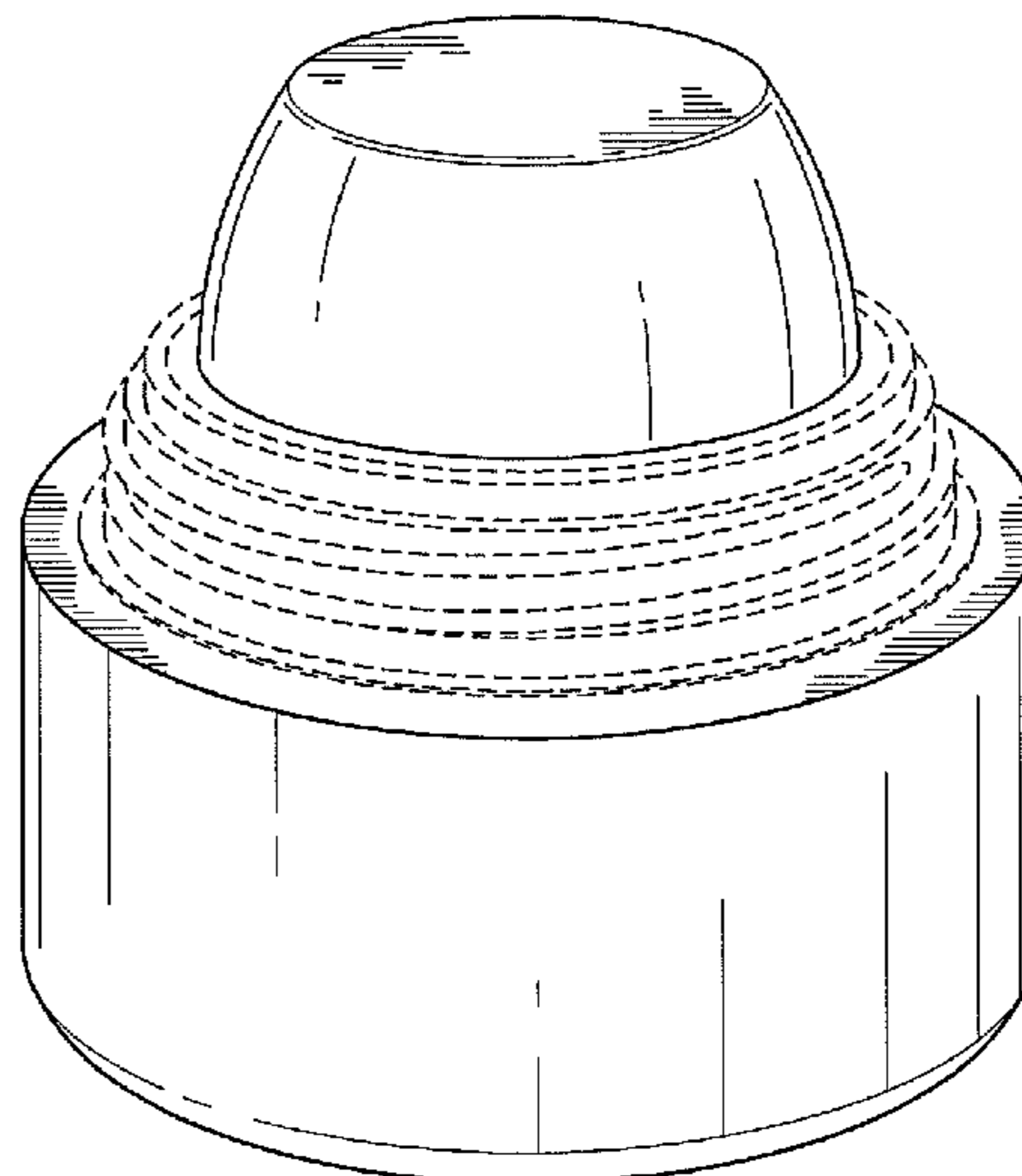
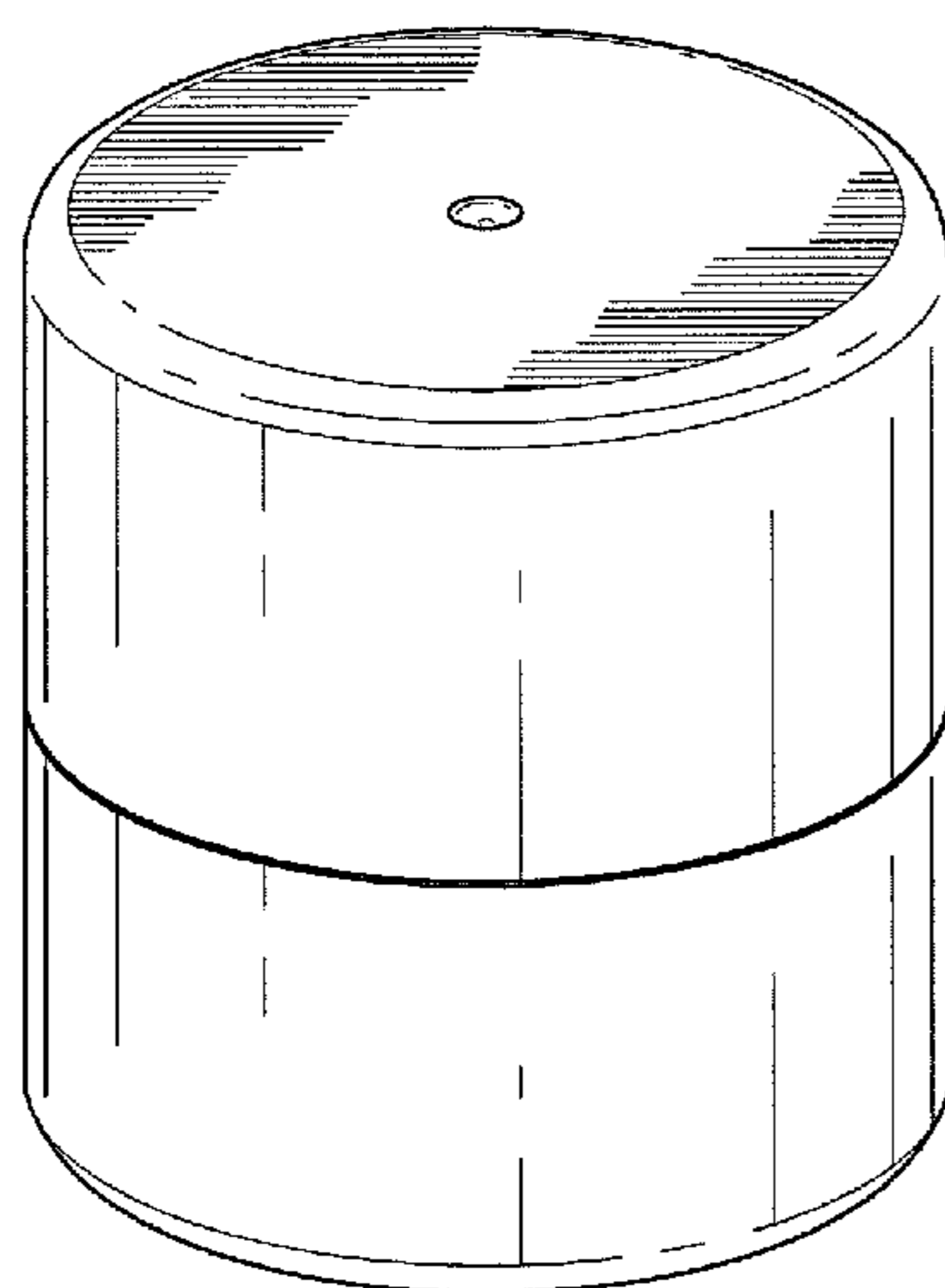
FIG. 8 is left side view thereof;

FIG. 9 is a top perspective view thereof with the top cover removed for ease of illustration; and,

FIG. 10 is a front elevational view of FIG. 9.

The broken line showing in the figure drawings are included for the purpose of illustration and form no part of the claimed design.

1 Claim, 3 Drawing Sheets



(56)

References Cited

U.S. PATENT DOCUMENTS

D504,542 S *	4/2005	Noh	D28/76	D613,168 S *	4/2010	Rowland et al.	D9/504
D512,636 S *	12/2005	Pace	D9/504	D613,603 S *	4/2010	Rowland et al.	D9/504
D539,153 S *	3/2007	Marx et al.	D9/529	D621,261 S *	8/2010	DeMarco	D9/504
D555,505 S *	11/2007	Brandt	D9/688	D630,514 S *	1/2011	Niikura et al.	D9/504
D555,835 S *	11/2007	Song	D28/76	D643,694 S *	8/2011	Lu	D7/629
D562,699 S *	2/2008	Green et al.	D9/726	D649,056 S *	11/2011	Puigbo	D9/504
D577,290 S *	9/2008	Moretti	D9/504	D681,278 S *	4/2013	Schlatter	D28/89
D595,577 S *	7/2009	Uneno	D9/504	D696,948 S *	1/2014	Kim	D9/504
D595,578 S *	7/2009	Del Tedesco Zamberlan et al.	D9/504	D710,544 S *	8/2014	Shen	D28/77
					2002/0003983 A1 *	1/2002	Gueret	401/130
					2002/0127046 A1 *	9/2002	Gueret	401/266
					2006/0198692 A1 *	9/2006	Petit	401/266
					2015/0021458 A1 *	1/2015	Zorovich et al.	249/134

* cited by examiner

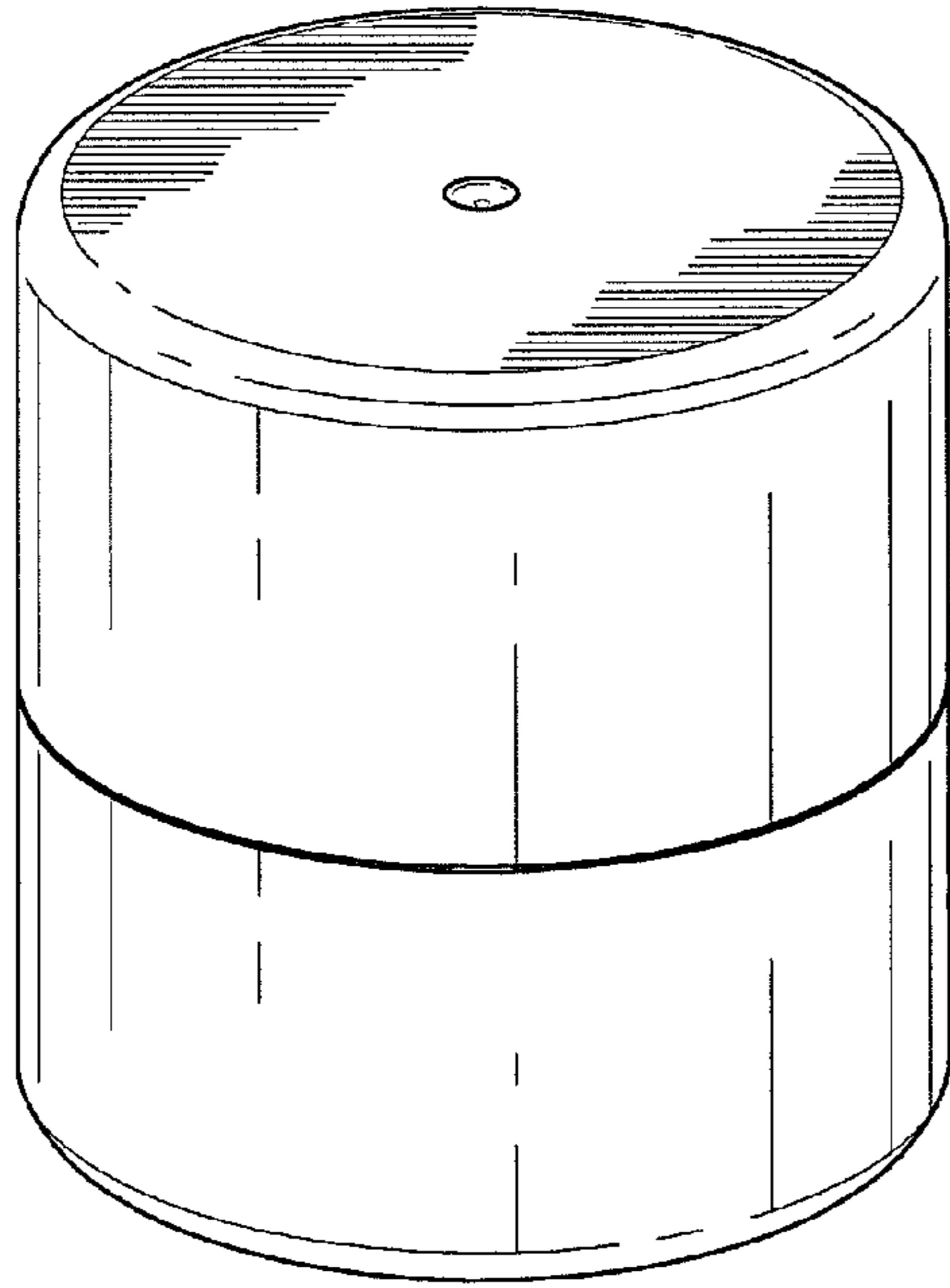


FIG. 1

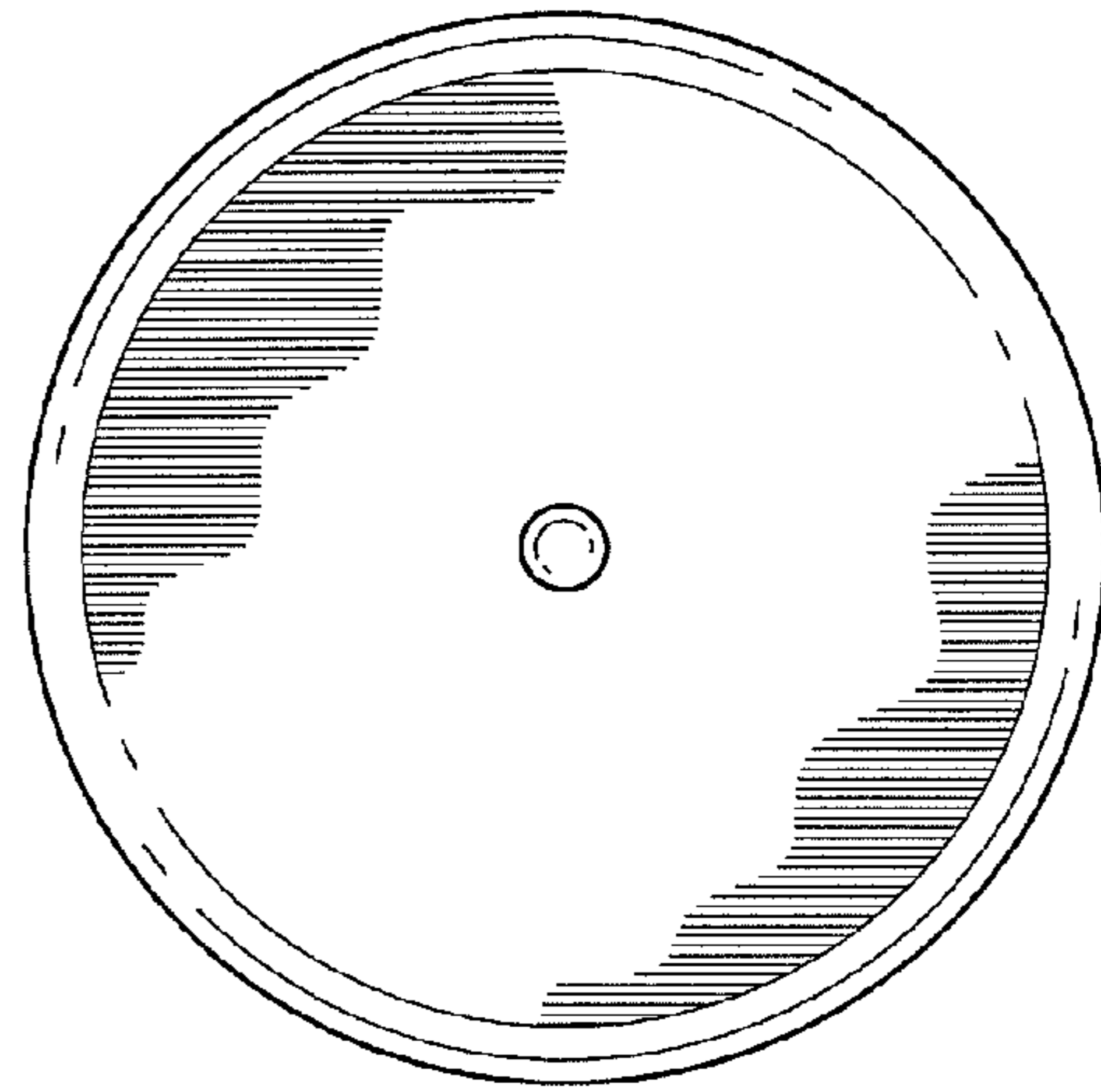


FIG. 2

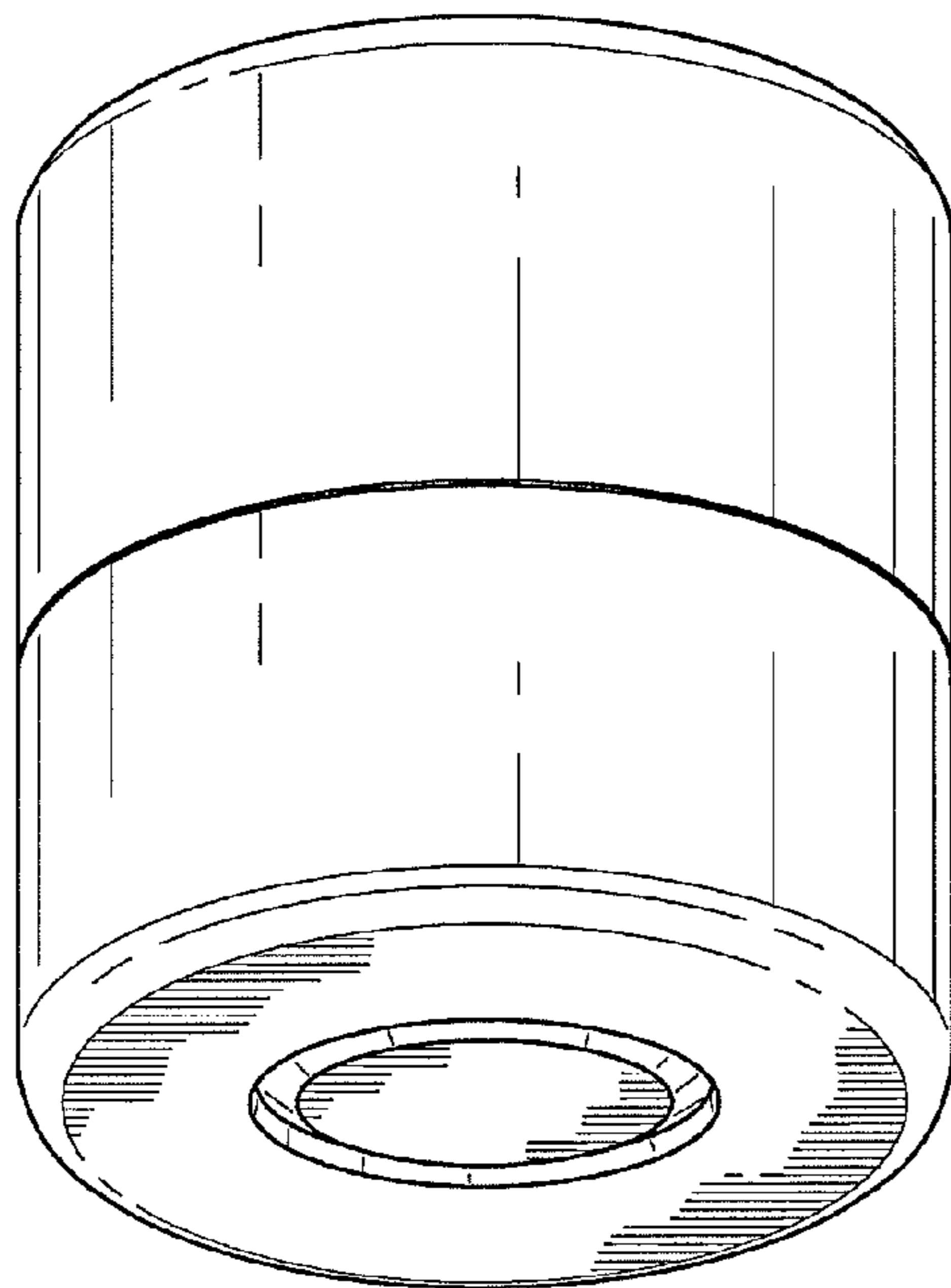


FIG. 3

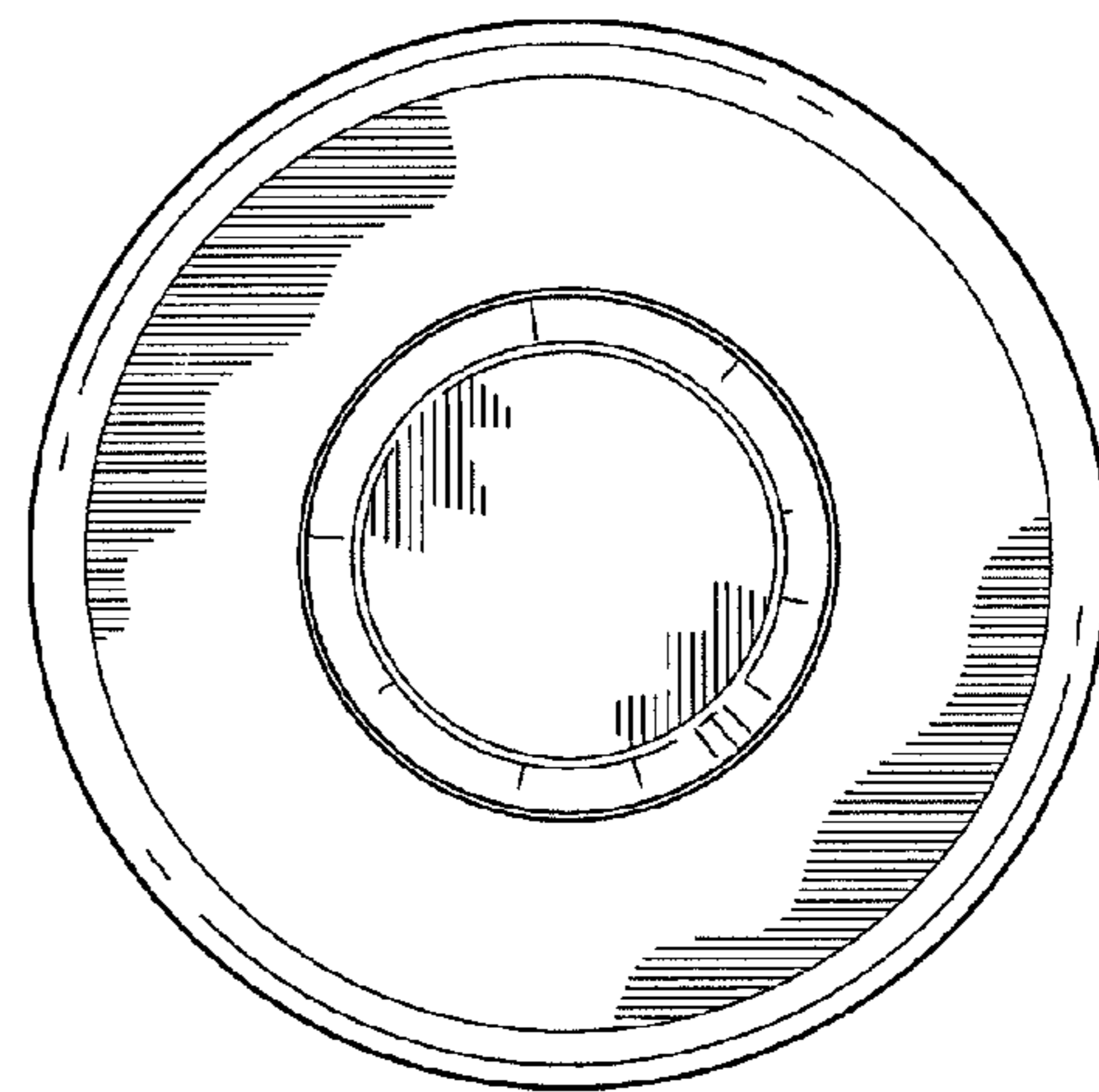


FIG. 4

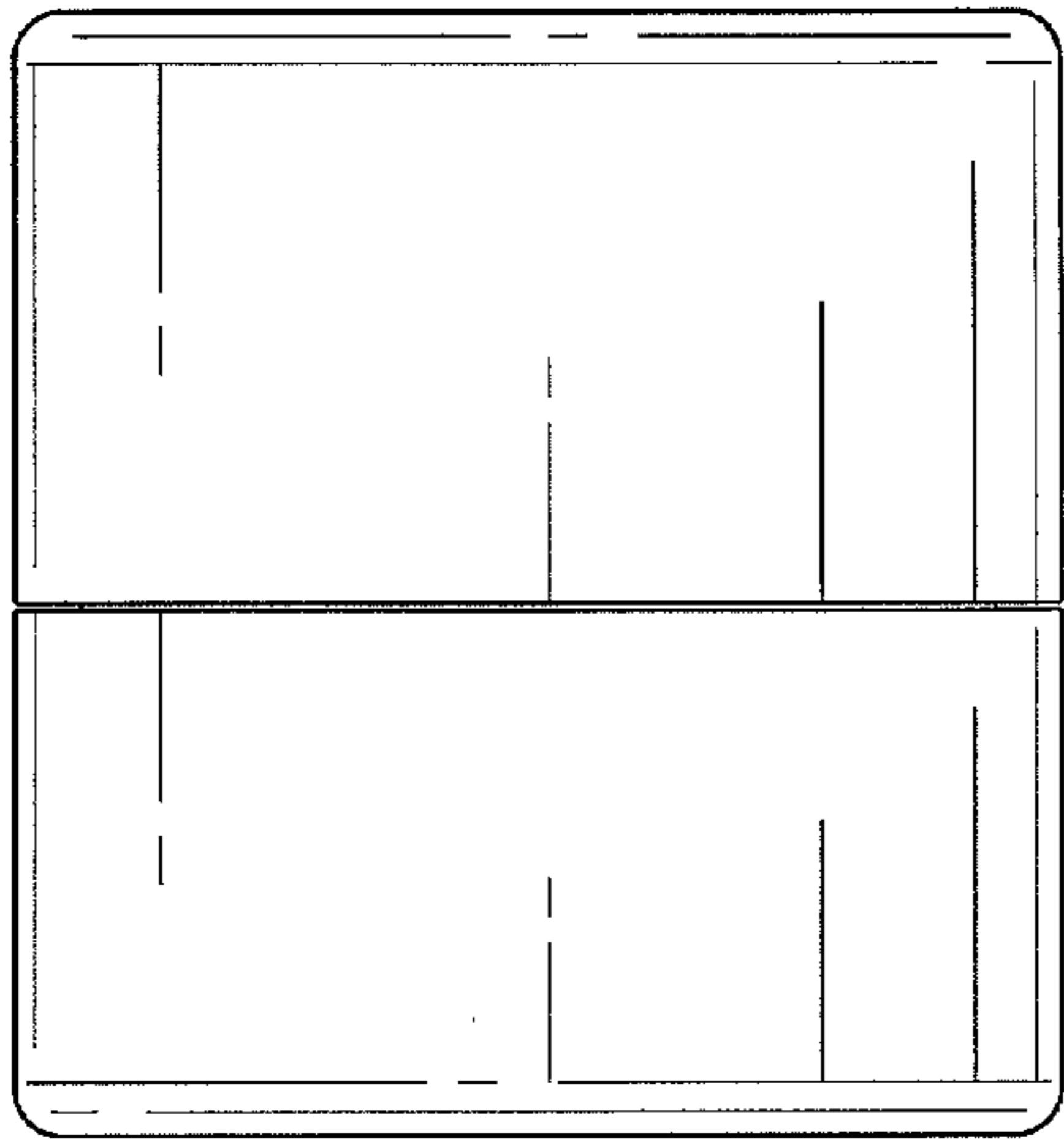


FIG. 5

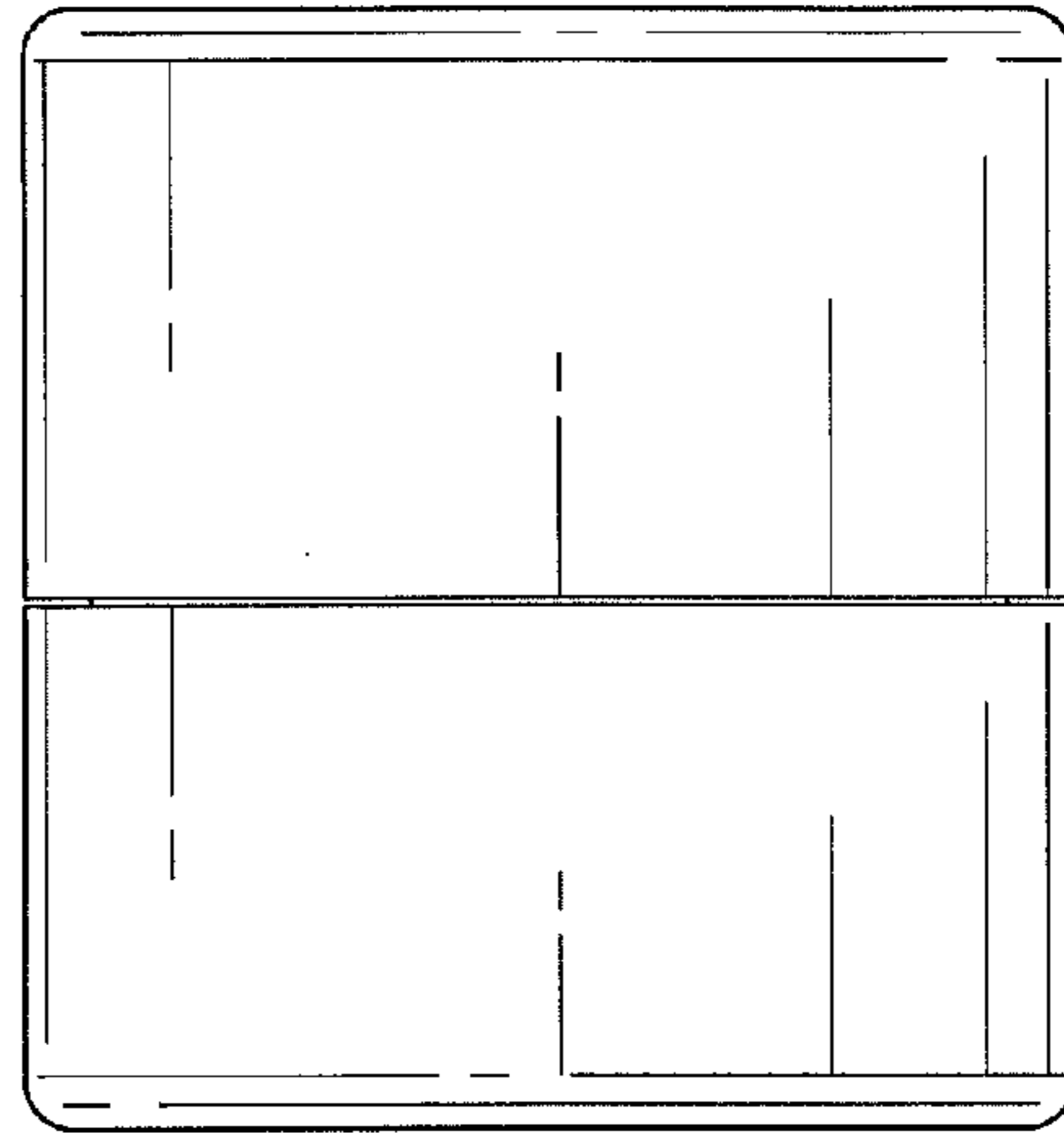


FIG. 6

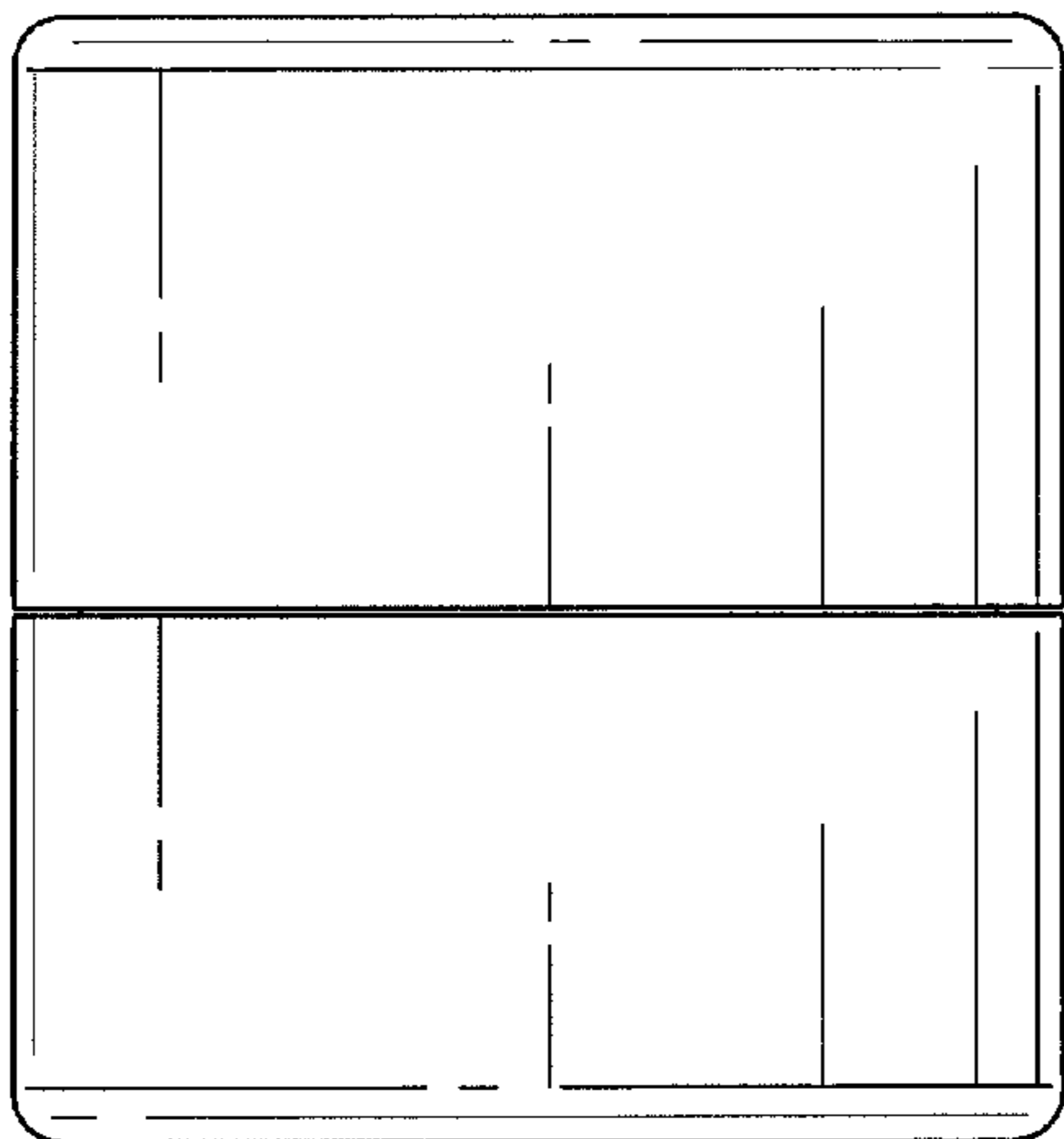


FIG. 7

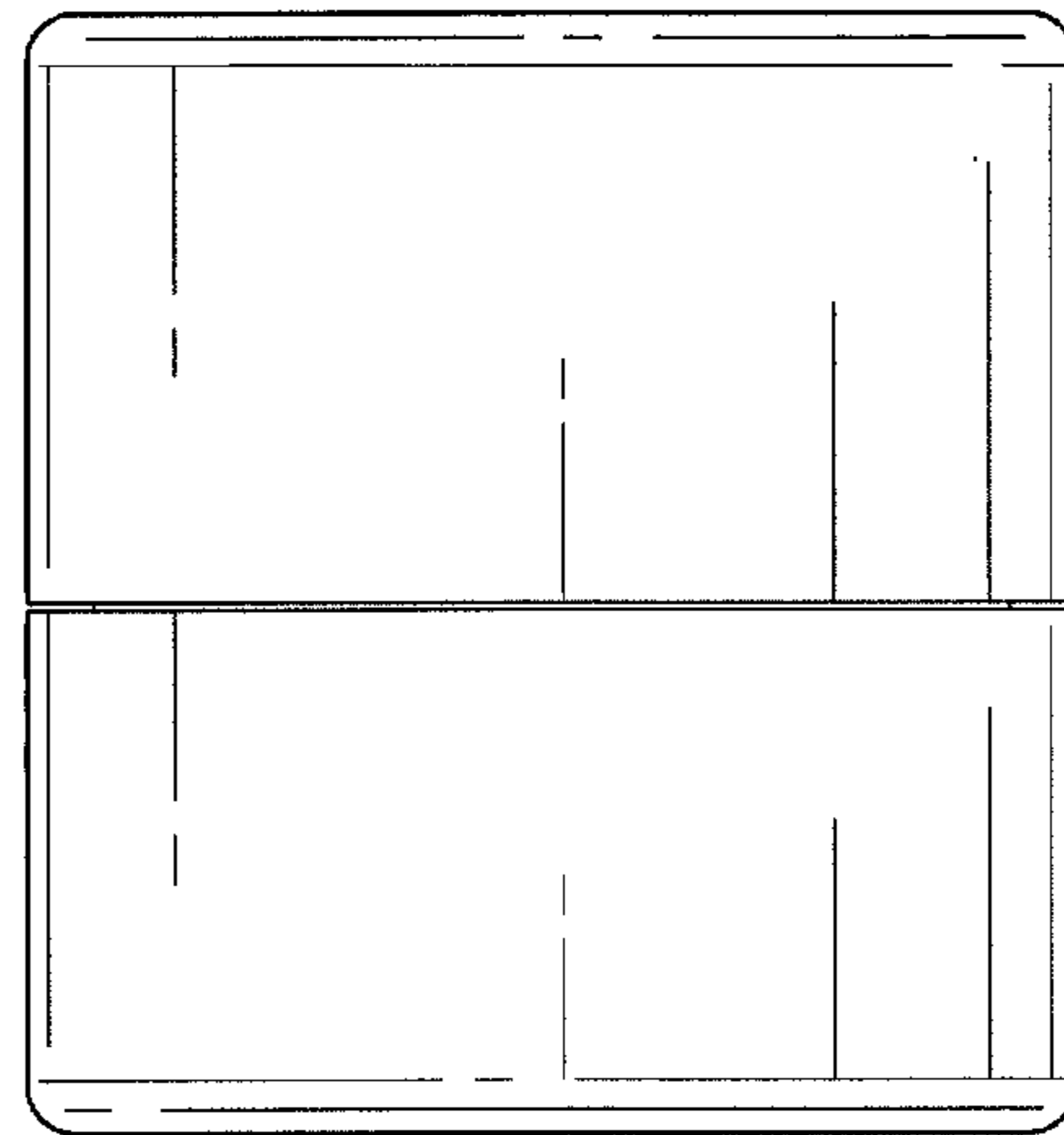


FIG. 8

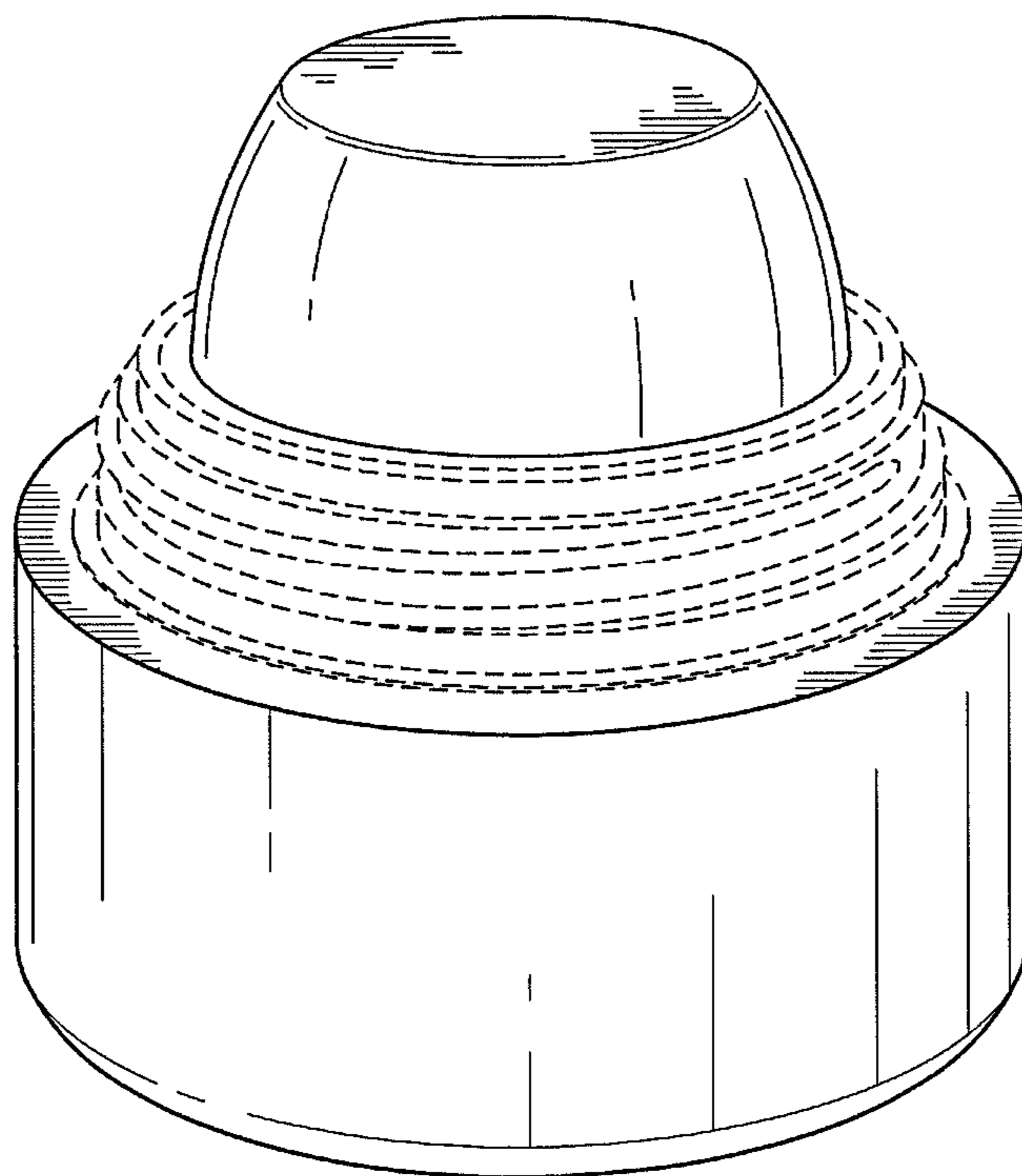


FIG. 9

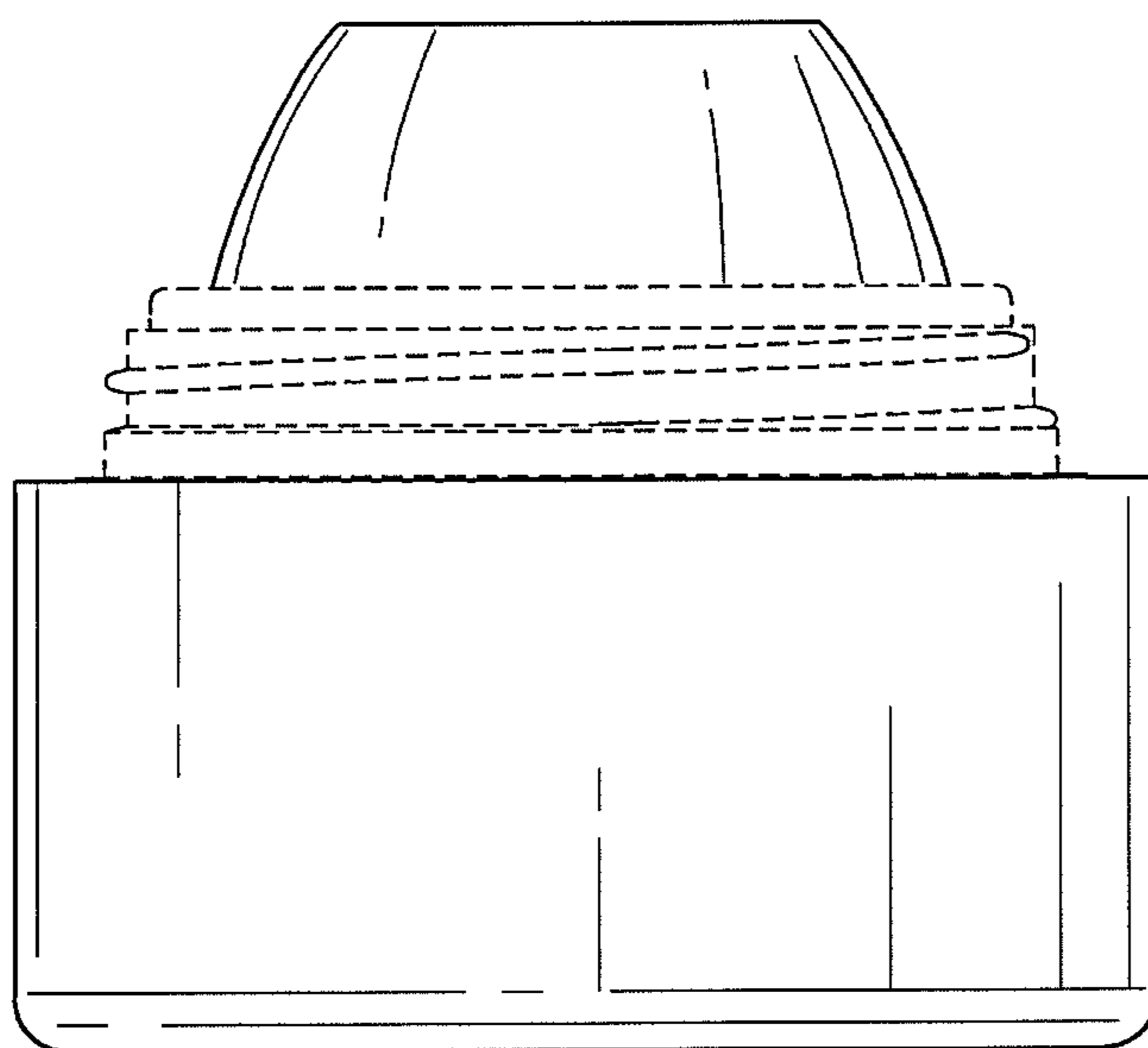


FIG. 10