



US00D733965S

(12) **United States Design Patent**
Yiu

(10) **Patent No.:** **US D733,965 S**
(45) **Date of Patent:** **** Jul. 7, 2015**

- (54) **COSMETIC DEVICE**
- (71) Applicant: **Soft Lines International, Ltd.,**
Kowloon (HK)
- (72) Inventor: **Wai Wah Yiu, Kowloon (HK)**
- (73) Assignee: **SOFT LINES INTERNATIONAL,**
LTD., Kowloon (HK)

- 5,281,233 A 1/1994 Dolev
- 5,377,699 A 1/1995 Varnum
- 5,383,273 A 1/1995 Muller et al.
- D409,335 S 5/1999 Slater
- 5,976,157 A 11/1999 Yiu
- 6,123,713 A 9/2000 Yiu
- 6,159,222 A 12/2000 Yiu
- D443,627 S 6/2001 West

(Continued)

- (**) Term: **14 Years**
- (21) Appl. No.: **29/497,602**
- (22) Filed: **Jul. 25, 2014**

Related U.S. Application Data

- (62) Division of application No. 29/435,131, filed on Oct. 19, 2012, now Pat. No. Des. 715,493.
- (51) **LOC (10) Cl.** **28-03**
- (52) **U.S. Cl.**
USPC **D28/58; D28/59; D28/49; D28/53**
- (58) **Field of Classification Search**
USPC 132/73, 73.5-73.6, 75.3, 75.6, 75.8,
132/76.4-76.5; D28/56-59, 62, 49-54;
30/43.92, 34.1, 26; D24/146, 133;
606/131-134
CPC A45D 44/00; A45D 2200/1054; A45D
34/041; A45D 26/0038; A45D 29/14; A61B
17/54
See application file for complete search history.

(56) **References Cited**

U.S. PATENT DOCUMENTS

- 1,482,837 A 2/1924 Buck
- 2,867,214 A 1/1959 Wilson
- 2,936,768 A 5/1960 Chamberlain
- 3,581,393 A 6/1971 Yager
- D287,298 S 12/1986 Kibe et al.
- 4,935,184 A 6/1990 Sorensen
- 5,033,485 A 7/1991 Hauerwas et al.

OTHER PUBLICATIONS

U.S. Appl. No. 29/435,131, filed Oct. 19, 2012, Soft Lines International, Inc.

(Continued)

Primary Examiner — Jennifer Rivard

(74) *Attorney, Agent, or Firm* — Foley & Lardner LLP

(57) **CLAIM**

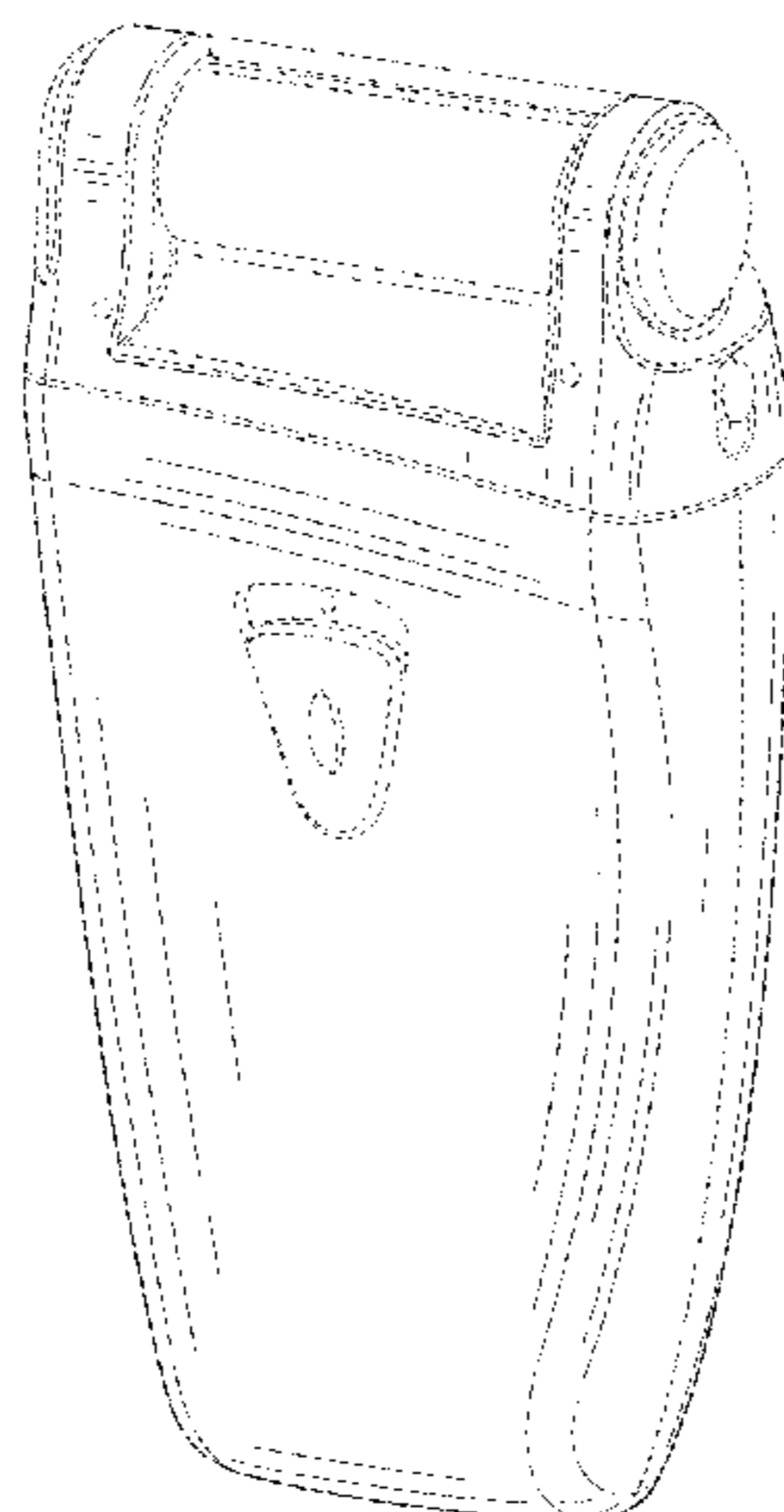
I claim the ornamental design for a cosmetic device, as shown and described.

DESCRIPTION

FIG. 1 is a top, front, right perspective view of an embodiment of the claimed design;
 FIG. 2 is a bottom, rear, left perspective view thereof;
 FIG. 3 is a front elevation view thereof;
 FIG. 4 is a rear elevation view thereof;
 FIG. 5 is a left elevation view thereof;
 FIG. 6 is a right elevation view thereof;
 FIG. 7 is a top plan view thereof; and,
 FIG. 8 is a bottom plan view thereof.

The ornamental design which is claimed is shown in solid lines in the drawings. The broken lines in the drawings are for purposes of illustrating unclaimed portions of the design. Broken lines formed by equal length dashes show unclaimed portions of the design. Broken lines formed of unequal length dashes (i.e., dash-dot) show boundaries between claimed and unclaimed portions of the design.

1 Claim, 7 Drawing Sheets



(56)

References Cited

U.S. PATENT DOCUMENTS

6,391,034 B1 5/2002 Adamson et al.
 6,436,106 B2 8/2002 Yiu
 6,471,712 B2 10/2002 Burres
 6,523,546 B2 2/2003 Jo et al.
 6,551,262 B1 4/2003 Lechtman
 D487,661 S 3/2004 Signorati
 6,824,461 B1 11/2004 Dolev
 6,824,546 B1 11/2004 Yiu
 D499,842 S 12/2004 Yiu
 D509,626 S 9/2005 Yiu
 D543,660 S 5/2007 Cheung
 D556,380 S 11/2007 Long
 D581,596 S 11/2008 Sarway
 D598,165 S 8/2009 Platek
 7,581,545 B1 9/2009 Moldawski et al.
 7,597,696 B2 10/2009 Poran
 D611,198 S 3/2010 Platek
 D626,693 S 11/2010 Harbeke
 D628,744 S 12/2010 Goetschi
 D638,166 S 5/2011 Martinez De San Vicente
 D645,204 S 9/2011 Platek
 D676,200 S 2/2013 Yiu
 D678,614 S 3/2013 Yiu
 D681,277 S 4/2013 Yiu
 D686,370 S 7/2013 Yiu
 D692,181 S 10/2013 Yiu
 8,551,117 B2 10/2013 Yiu

D701,648 S 3/2014 Yiu
 D706,487 S 6/2014 Yiu
 D706,986 S 6/2014 Yiu
 D709,650 S 7/2014 Yiu
 D715,493 S * 10/2014 Yiu D28/58
 D715,495 S * 10/2014 Yiu D28/62
 2002/0050278 A1 5/2002 Jo et al.
 2005/0172490 A1 8/2005 Yiu
 2005/0187563 A1 8/2005 Yiu
 2006/0218793 A1 10/2006 Zucker
 2006/0260629 A1 11/2006 Chern
 2008/0187563 A1 8/2008 Levy
 2009/0182349 A1 7/2009 Poran
 2009/0301507 A1 12/2009 Tes et al.
 2012/0226289 A1 9/2012 Yiu
 2014/0025091 A1 1/2014 Yiu

OTHER PUBLICATIONS

U.S. Appl. No. 29/459,570, filed Jul. 1, 2013, Soft Lines International, Ltd.
 U.S. Appl. No. 29/488,301, filed Apr. 17, 2014, Soft Lines International, Ltd.
 U.S. Appl. No. 29/488,296, filed Apr. 17, 2014, Soft Lines International, Ltd.
 U.S. Appl. No. 29/502,870, filed Sep. 19, 2014, Soft Lines International, Ltd.
 U.S. Appl. No. 29/501,546, filed Sep. 5, 2014, Soft Lines International, Ltd.

* cited by examiner

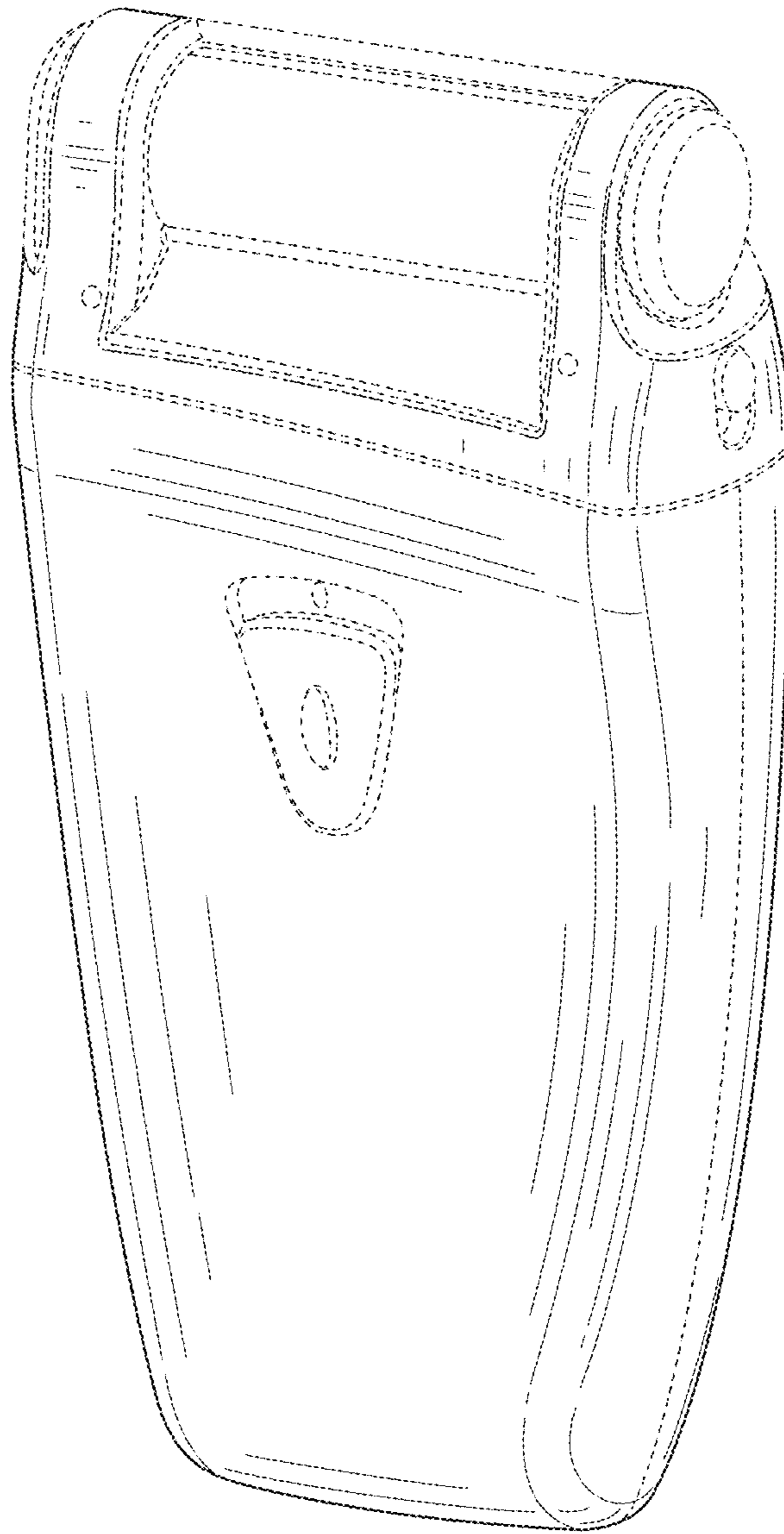


FIG. 1

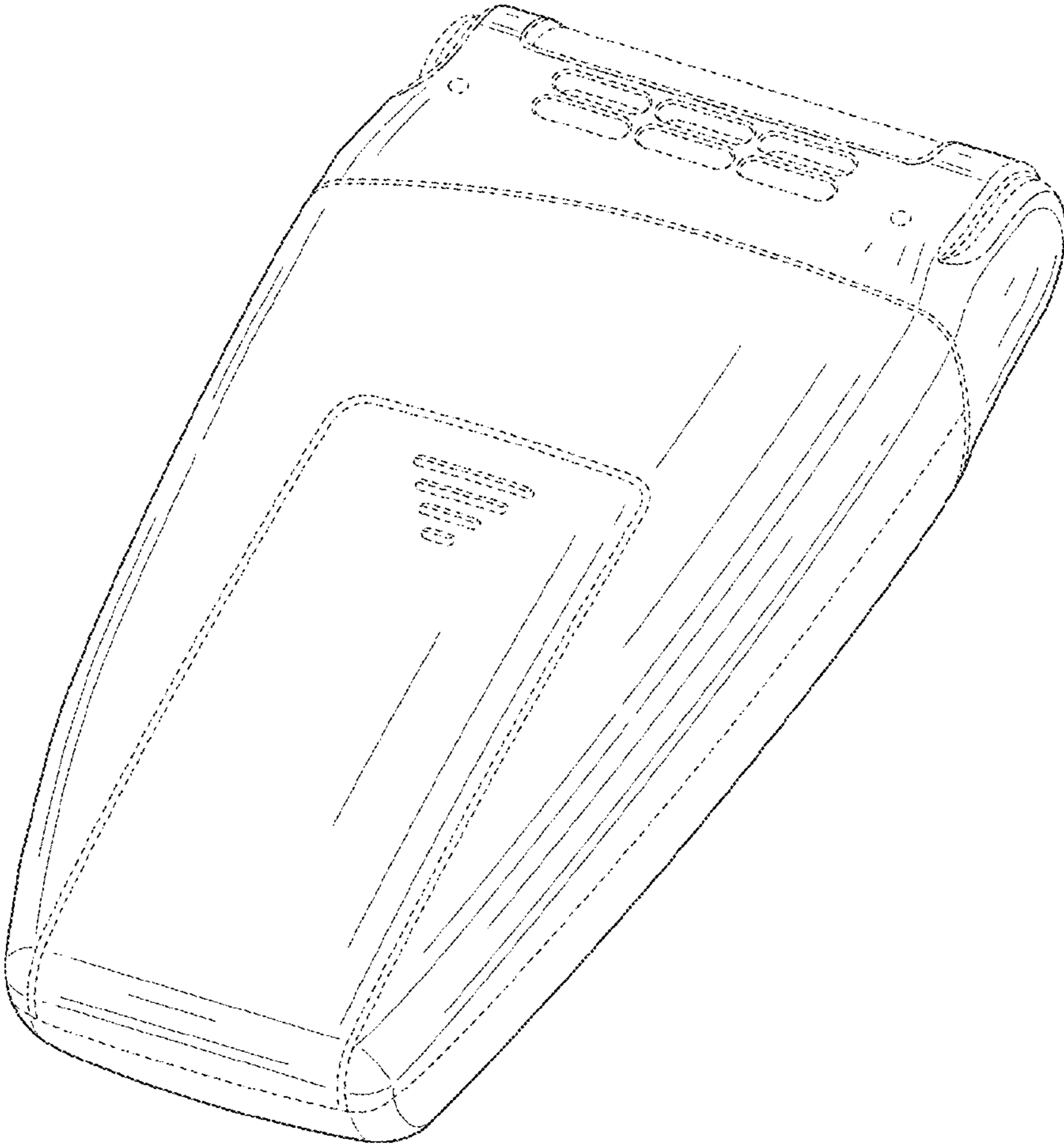


FIG. 2

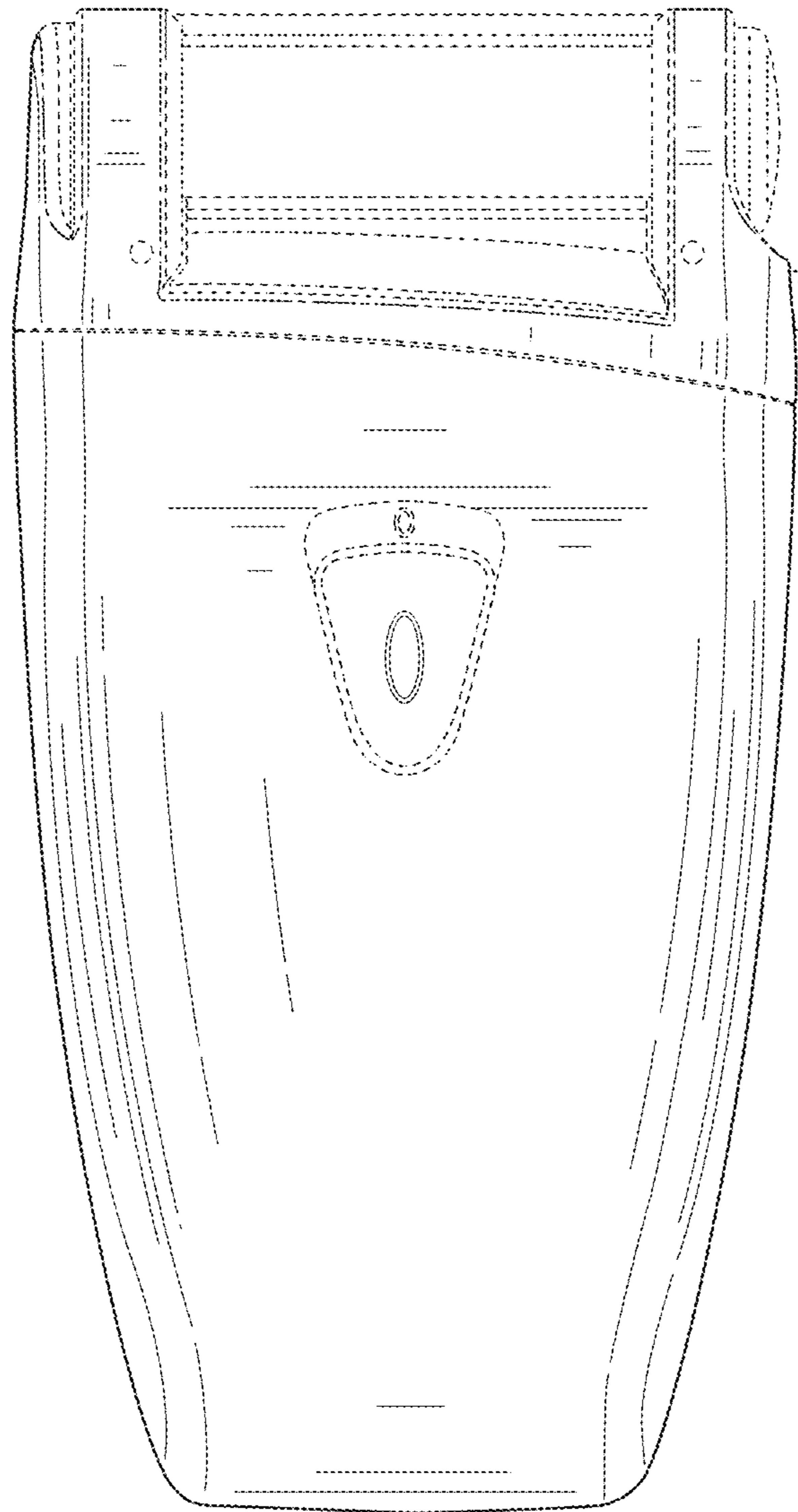


FIG. 3

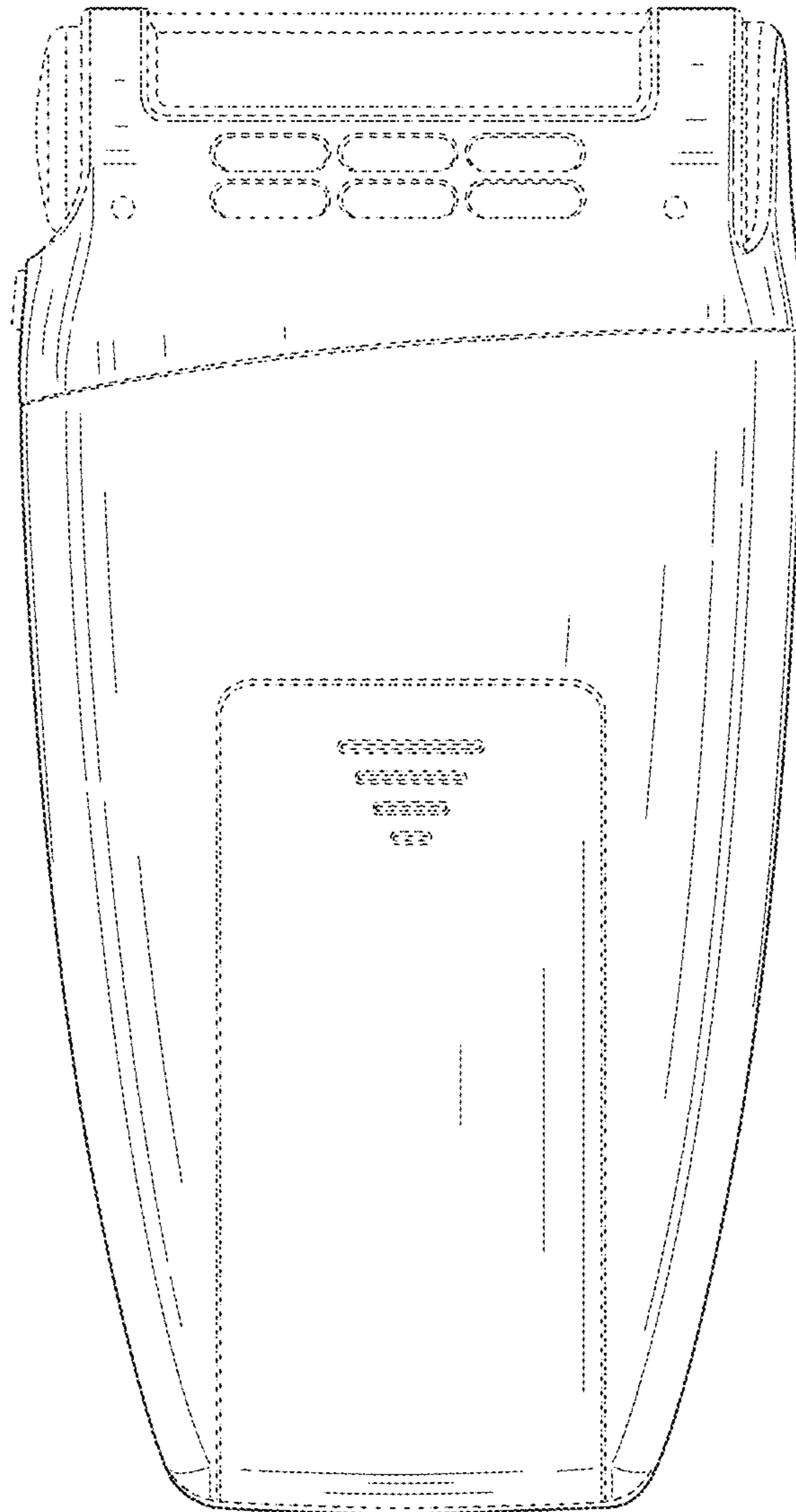


FIG. 4

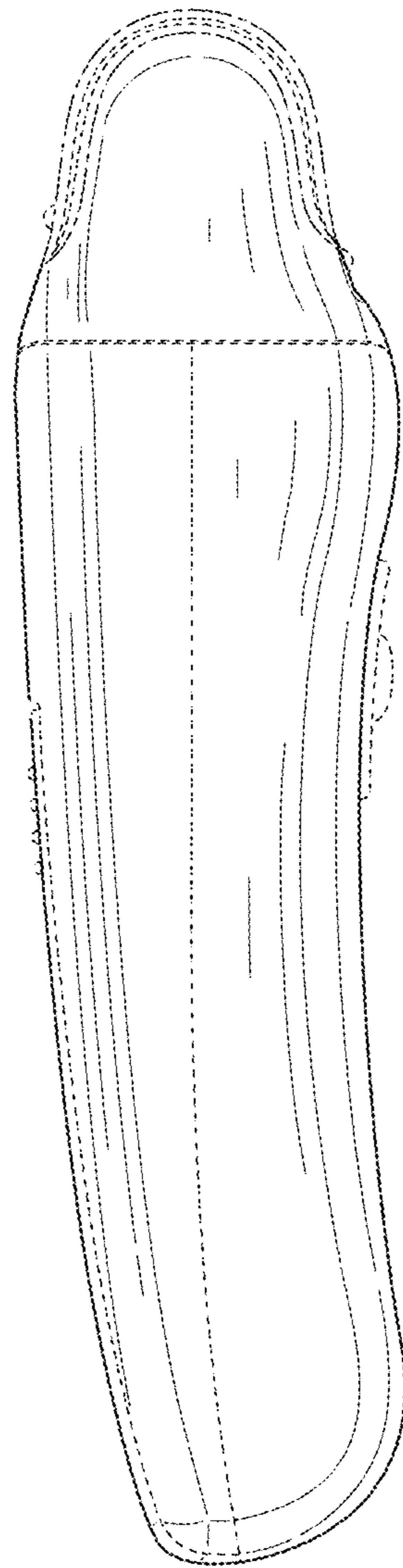


FIG. 5

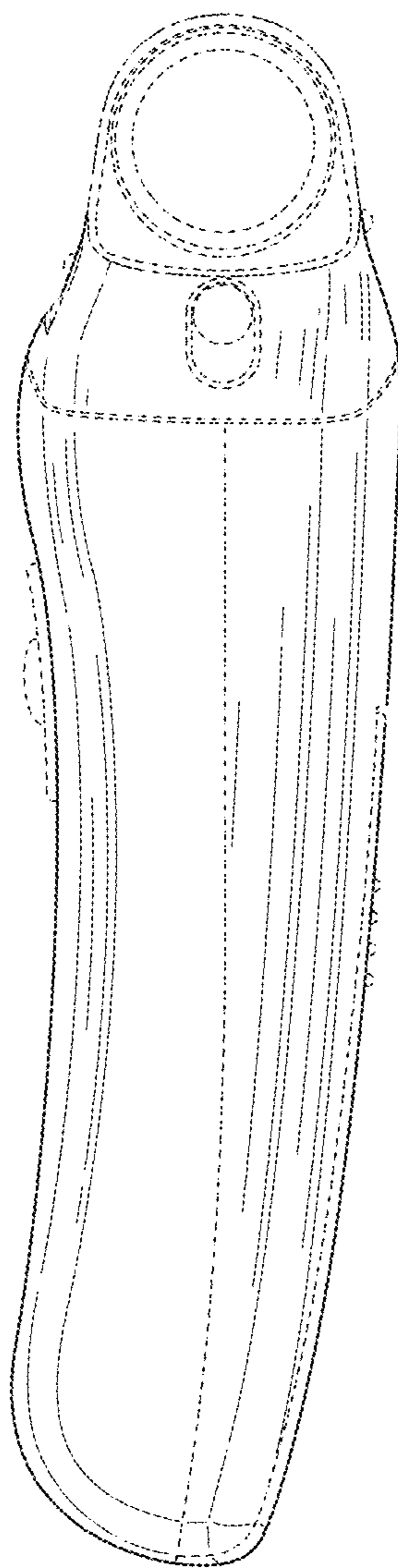


FIG. 6

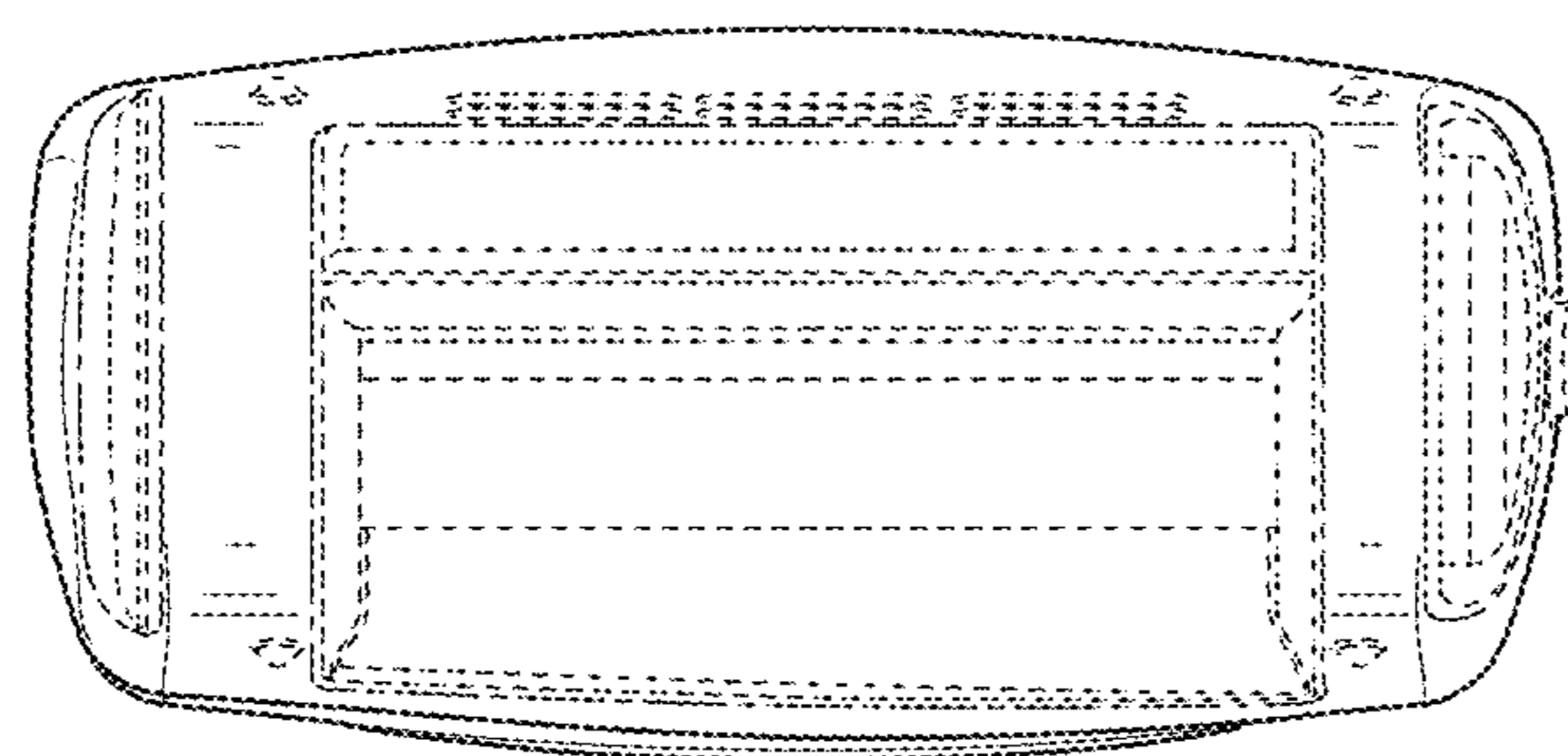


FIG. 7

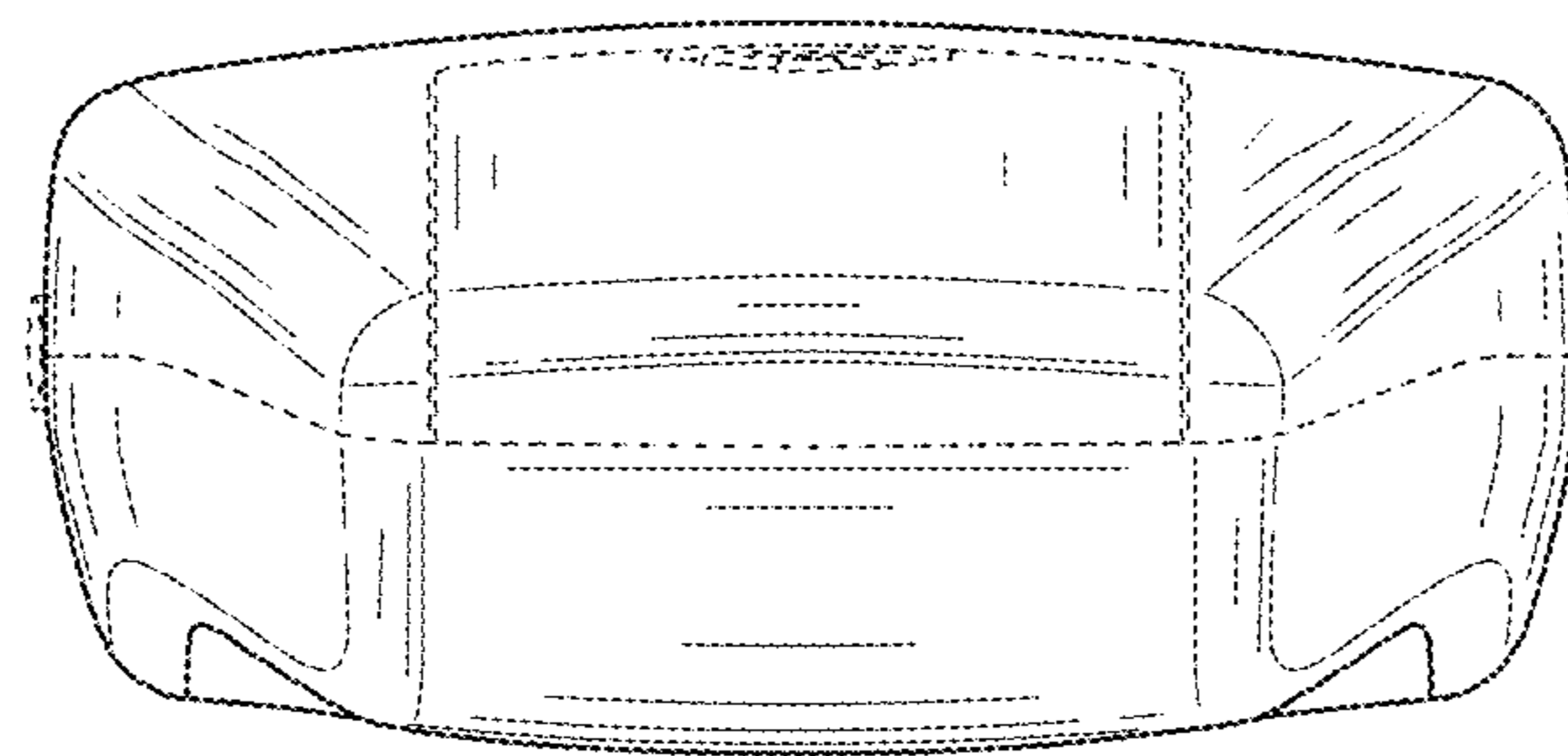


FIG. 8