



US00D733958S

(12) **United States Design Patent**  
**Howe**

(10) **Patent No.:** **US D733,958 S**

(45) **Date of Patent:** **\*\* Jul. 7, 2015**

(54) **LIGHT FIXTURE LENS WITH ALTERNATE GEOMETRIC OVERLAY FEATURES**

(71) Applicant: **Leslie Howe**, Atlanta, GA (US)

(72) Inventor: **Leslie Howe**, Atlanta, GA (US)

(73) Assignee: **Southpac Trust International Inc.**, Rarotonga (CK), Trustee of the LDH Trust

(\*\*) Term: **14 Years**

(21) Appl. No.: **29/463,714**

(22) Filed: **Feb. 18, 2014**

(51) **LOC (10) Cl.** ..... **26-99**

(52) **U.S. Cl.**  
USPC ..... **D26/120**

(58) **Field of Classification Search**  
USPC ..... D26/9, 10, 12, 13, 15, 16, 51, 61, 72,  
D26/76, 80, 81, 85, 86, 88, 90, 113, 118,  
D26/119, 120, 122, 128, 129, 138, 143,  
D26/144; D13/180

See application file for complete search history.

(56) **References Cited**

**U.S. PATENT DOCUMENTS**

|                |         |              |       |         |
|----------------|---------|--------------|-------|---------|
| D27,343 S *    | 7/1897  | Basquin      | ..... | D25/103 |
| D27,970 S *    | 12/1897 | Belcher      | ..... | D25/109 |
| D172,057 S *   | 4/1954  | Pryne        | ..... | D26/122 |
| 2,710,335 A *  | 6/1955  | Wong         | ..... | 362/148 |
| D177,568 S *   | 5/1956  | Hills        | ..... | D26/122 |
| 6,351,912 B1 * | 3/2002  | Weder        | ..... | 47/76   |
| D534,877 S *   | 1/2007  | Kamada       | ..... | D13/180 |
| D548,386 S *   | 8/2007  | McDowell     | ..... | D26/118 |
| D584,246 S *   | 1/2009  | Low et al.   | ..... | D13/180 |
| D594,744 S *   | 6/2009  | Martini      | ..... | D9/433  |
| D596,784 S *   | 7/2009  | Silver       | ..... | D26/91  |
| D607,853 S *   | 1/2010  | Kong         | ..... | D13/180 |
| D608,309 S *   | 1/2010  | Kim          | ..... | D13/180 |
| D631,565 S *   | 1/2011  | Egawa et al. | ..... | D26/1   |

|              |        |                    |       |         |
|--------------|--------|--------------------|-------|---------|
| D638,975 S * | 5/2011 | Hyland             | ..... | D26/74  |
| D656,654 S * | 3/2012 | Wauters            | ..... | D26/89  |
| D658,599 S * | 5/2012 | Takahashi et al.   | ..... | D13/180 |
| D658,601 S * | 5/2012 | Egawa et al.       | ..... | D13/180 |
| D679,442 S * | 4/2013 | Watt               | ..... | D26/118 |
| D702,393 S * | 4/2014 | Ansierowicz et al. | ..... | D26/89  |
| D702,868 S * | 4/2014 | Patel              | ..... | D26/74  |
| D711,583 S * | 8/2014 | Cho et al.         | ..... | D26/120 |

**OTHER PUBLICATIONS**

Halo 3018, image post date Jun. 19, 2010, site visited Oct. 18, 2014, (online), <<http://www.electricsuppliesonline.com/halo-lighting-3018sgsc-recessed-lighting-trim.html>>.\*

Halo 3012, image post date Jun. 19, 2010, site visited Oct. 18, 2014, (online), <<http://www.electricsuppliesonline.com/halo-lighting-3018sgsc-recessed-lighting-trim.html>>.\*

NPL date for Halo Lighting, image post date Oct. 18, 2014, site visited Oct. 18, 2014, (online), <<http://web.archive.org/web/20100619101555/http://www.electricsuppliesonline.com/halo-lighting-3018sgsc-recessed-lighting-trim.html>>.\*

\* cited by examiner

*Primary Examiner* — Kevin Rudzinski

*Assistant Examiner* — Sean D Lough

(57) **CLAIM**

The ornamental design for a light fixture lens with alternate geometric overlay features, as shown and described.

**DESCRIPTION**

FIG. 1 is a perspective view of the first embodiment with a central overlay feature and outer overlay feature.

FIG. 2 is a perspective view of the second embodiment with a central overlay feature and no outer overlay feature; and,

FIG. 3 is a perspective view of the third embodiment with a central overlay feature and four corner overlay features.

The broken lines shown in FIG. 1 through FIG. 3 depict environmental subject matter only, and form no part of the claimed design.

**1 Claim, 2 Drawing Sheets**

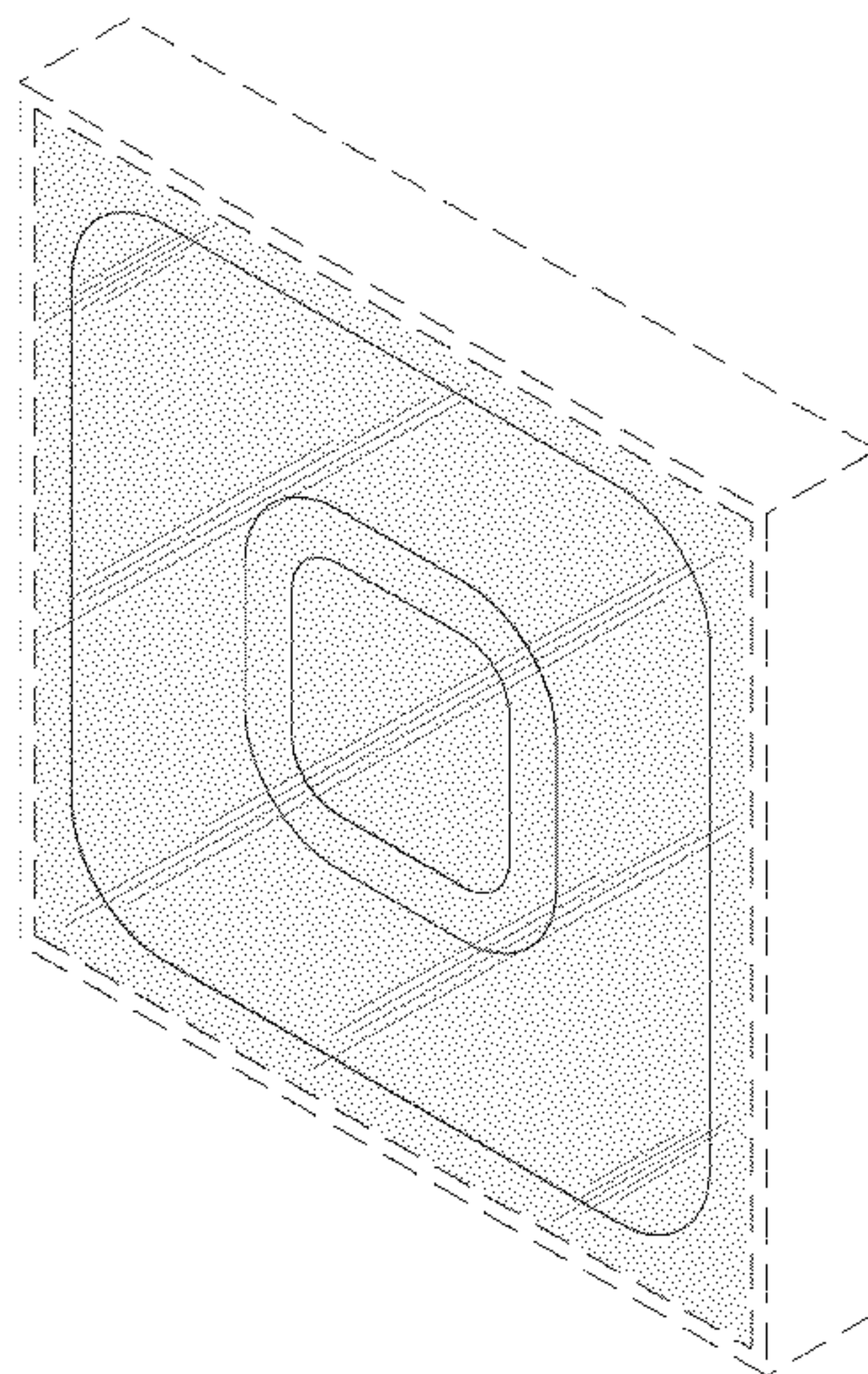




FIG. 1

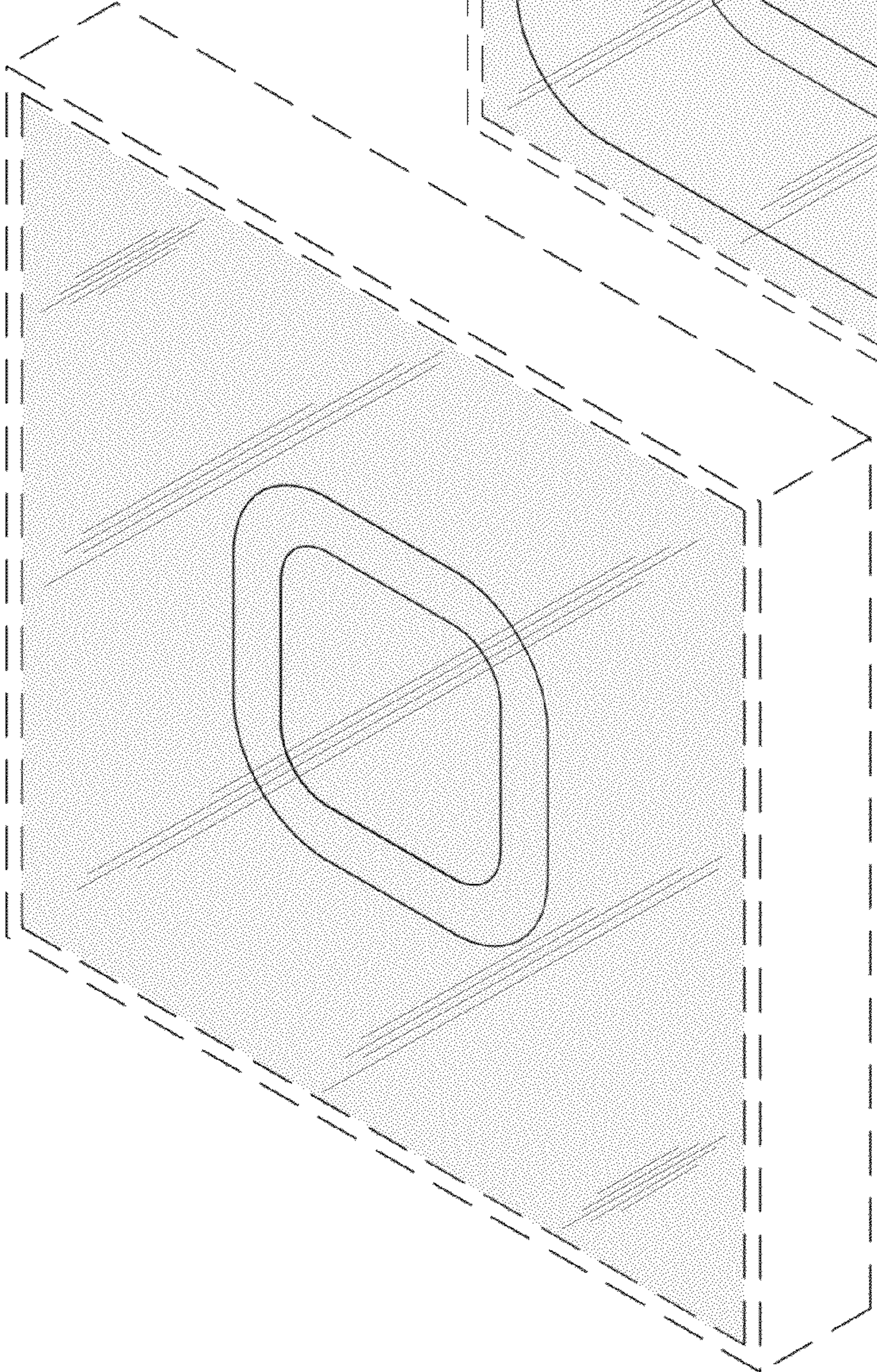
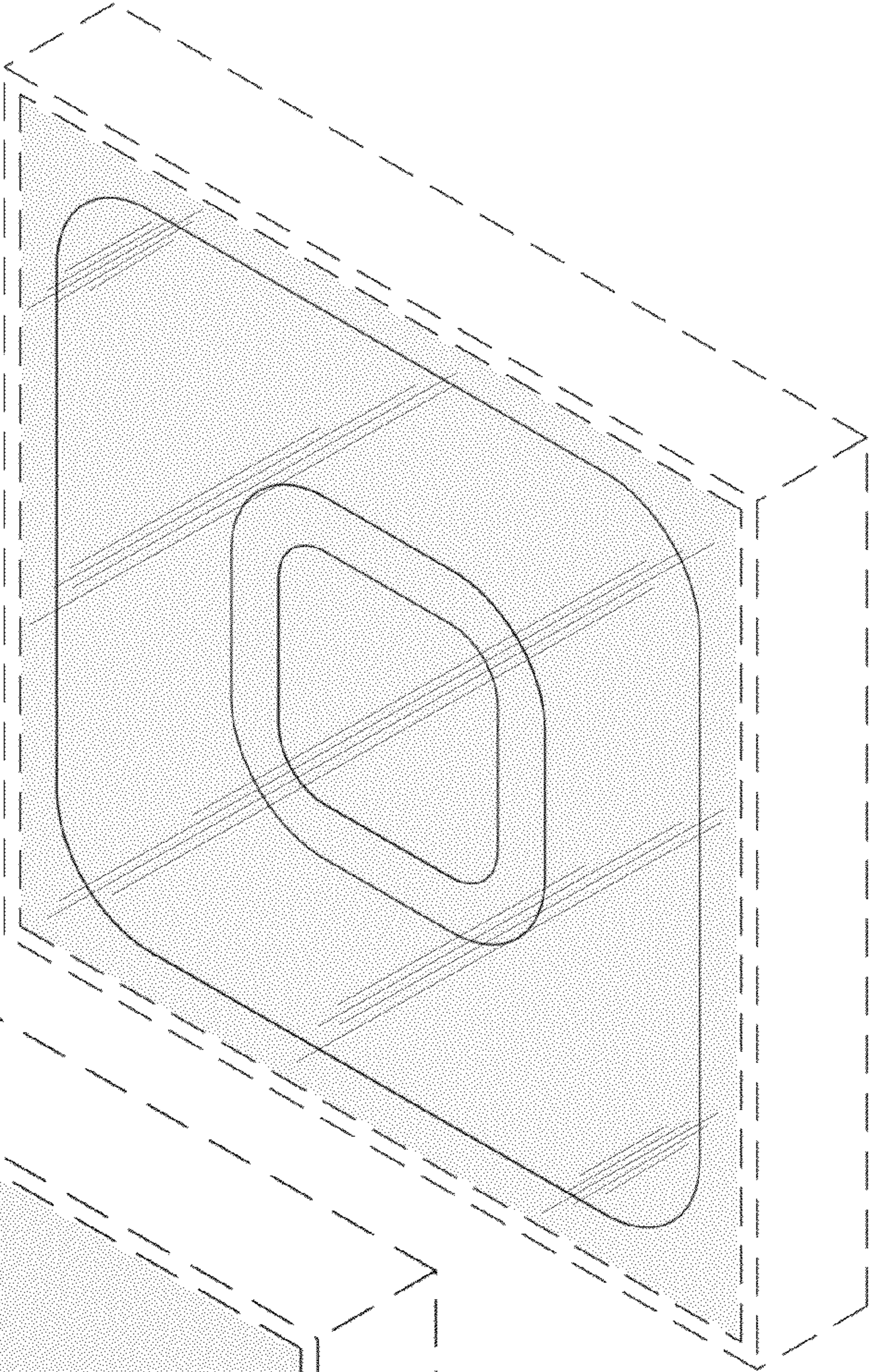


FIG. 2

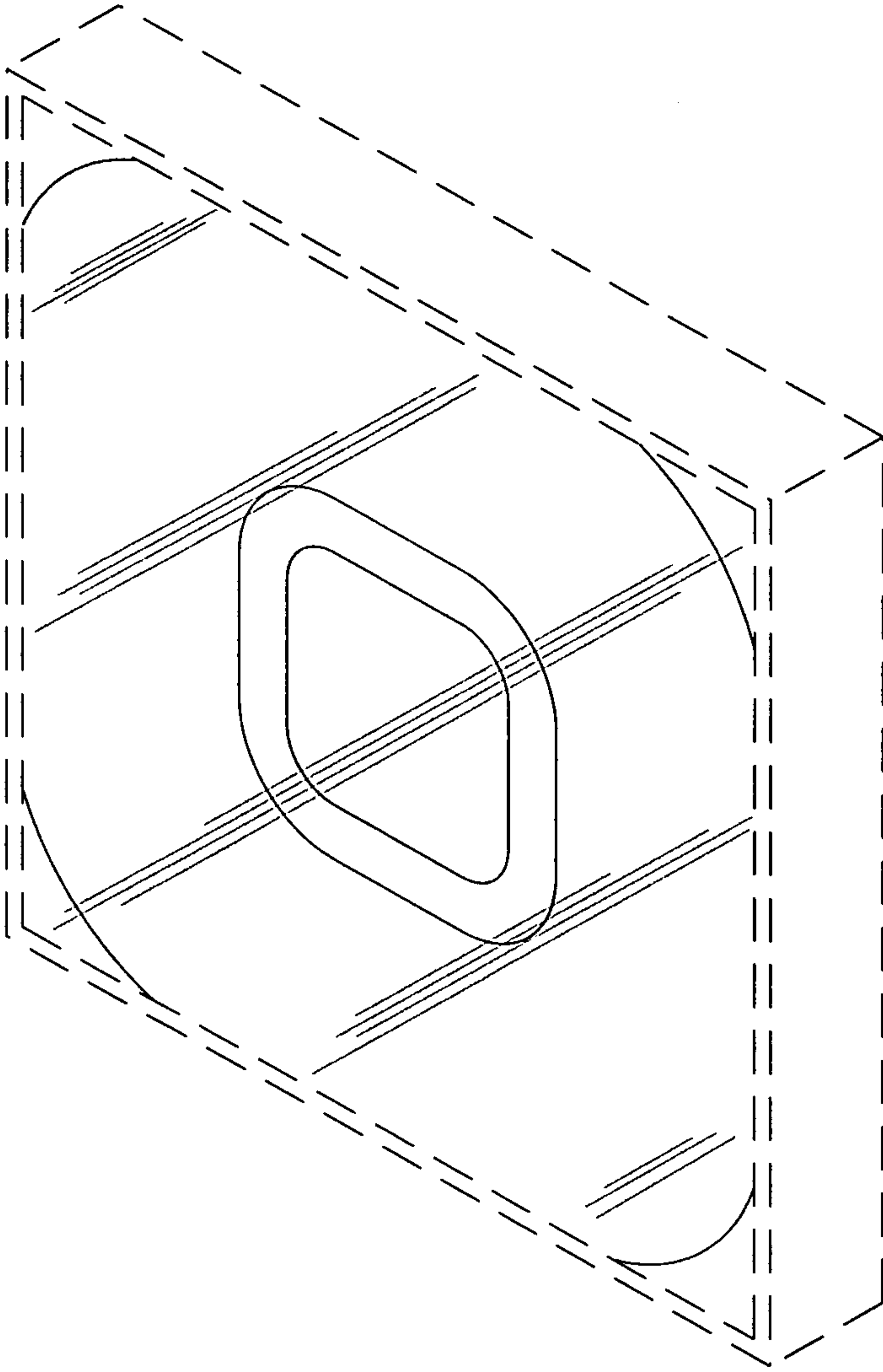


FIG. 3