



US00D733953S

(12) **United States Design Patent**
Bobel

(10) **Patent No.:** **US D733,953 S**

(45) **Date of Patent:** **** Jul. 7, 2015**

(54) **LIGHT FIXTURE**

(71) Applicant: **Neptun Light, Inc.**, Lake Forest, IL (US)

(72) Inventor: **Andrzej Bobel**, Lake Forest, IL (US)

(73) Assignee: **Neptun Light, Inc.**, Lake Forest, IL (US)

(**) Term: **14 Years**

(21) Appl. No.: **29/489,400**

(22) Filed: **Apr. 29, 2014**

(51) **LOC (10) Cl.** **26-03**

(52) **U.S. Cl.**
USPC **D26/92**; D26/71

(58) **Field of Classification Search**
USPC D26/69, 70, 71, 72, 85, 92, 118;
362/431, 432

CPC F21V 15/01; F21V 17/107; F21V 19/02;
F21S 8/033; F21S 8/043; F21S 8/085; F21S
8/086; F21S 8/088; F21W 2131/103; F21W
2131/107

See application file for complete search history.

(56) **References Cited**

U.S. PATENT DOCUMENTS

D294,066	S	*	2/1988	Ewing et al.	D26/71
7,150,542	B1	*	12/2006	Russello et al.	362/285
D562,491	S	*	2/2008	DiCola	D26/85
7,401,939	B2	*	7/2008	Haugaard et al.	362/147
D634,878	S	*	3/2011	Guercio et al.	D26/85
D653,377	S	*	1/2012	Guercio	D26/85
D676,174	S	*	2/2013	Akinrele et al.	D26/71
D676,177	S	*	2/2013	Akinrele et al.	D26/71

D689,233	S	*	9/2013	Boissevain et al.	D26/71
D694,452	S	*	11/2013	Goelz et al.	D26/71
2008/0080196	A1	*	4/2008	Ruud et al.	362/373
2008/0101063	A1	*	5/2008	Koike et al.	362/231
2010/0135008	A1	*	6/2010	Teng	362/227
2011/0032697	A1	*	2/2011	Hu et al.	362/190
2012/0218769	A1	*	8/2012	Van Horn et al.	362/370
2013/0027937	A1	*	1/2013	Winters	362/249.01
2013/0083521	A1	*	4/2013	Fang et al.	362/235
2013/0121006	A1	*	5/2013	Moshtagh	362/373
2013/0250556	A1	*	9/2013	Gordin et al.	362/147
2014/0043817	A1	*	2/2014	Zhang et al.	362/249.02
2014/0104836	A1	*	4/2014	Kinnune et al.	362/249.02
2014/0192529	A1	*	7/2014	Wilcox	362/244
2014/0218944	A1	*	8/2014	Hobson et al.	362/418

* cited by examiner

Primary Examiner — Clare E Heflin

(74) *Attorney, Agent, or Firm* — Adam Bobel

(57) **CLAIM**

The ornamental design for a light fixture, as shown and described.

DESCRIPTION

FIG. 1 is a top side view of light fixture showing the claimed design;

FIG. 2 is a bottom side view thereof;

FIG. 3 is a right side view thereof;

FIG. 4 is a left side view thereof;

FIG. 5 is a rear side view thereof;

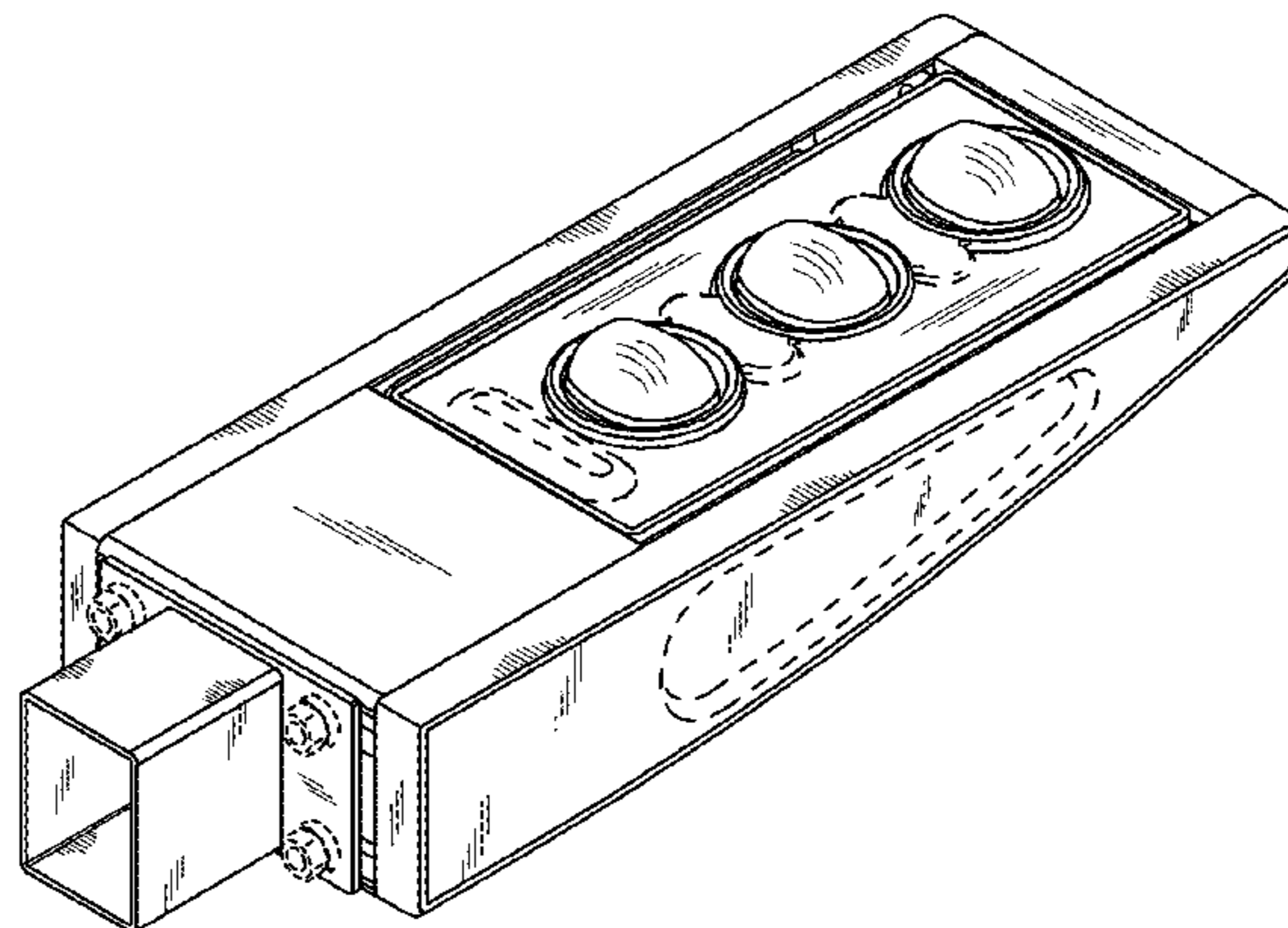
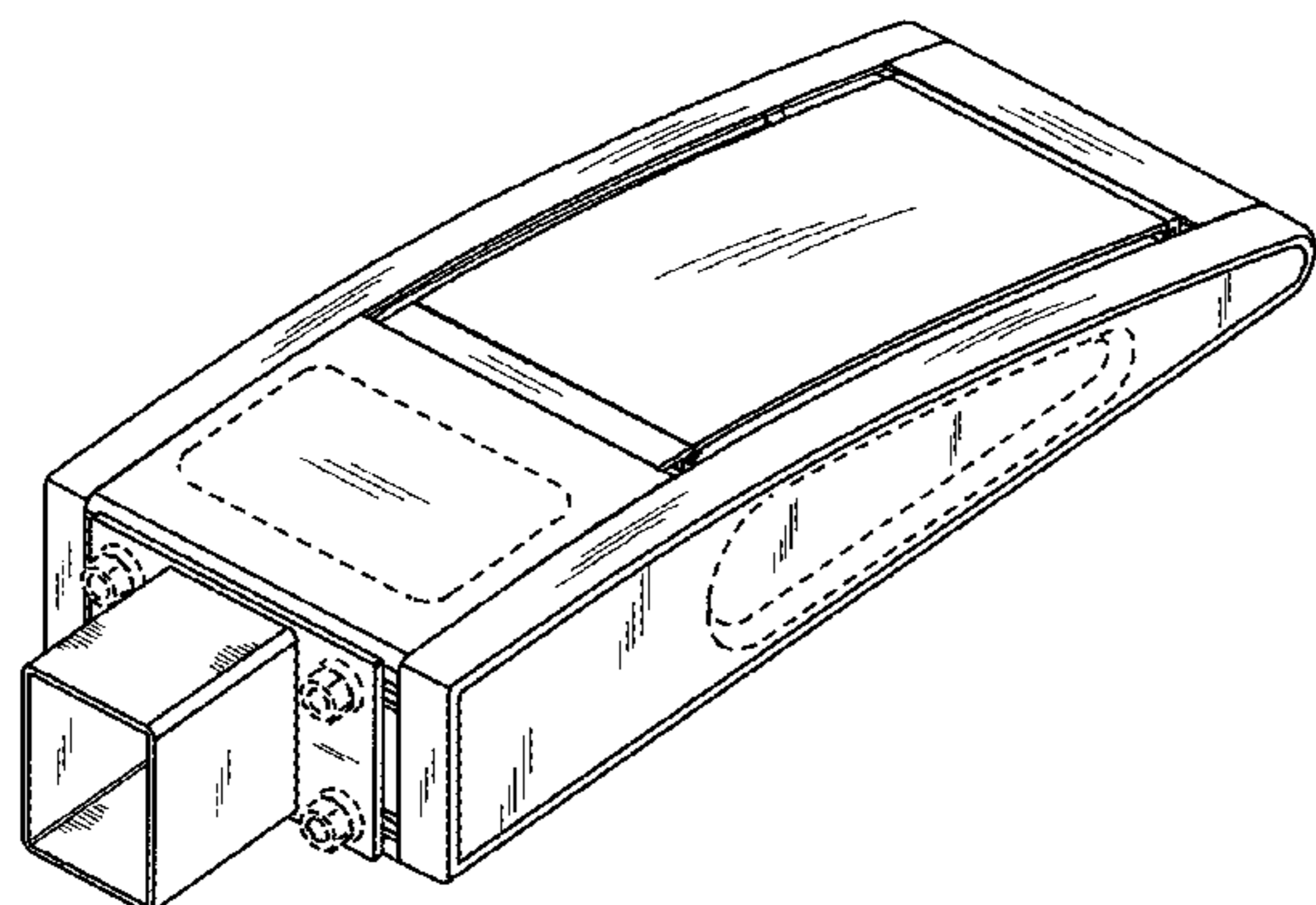
FIG. 6 is a front view thereof;

FIG. 7 is a bottom perspective view thereof; and,

FIG. 8 is a top perspective view thereof.

The broken lines are included for the purpose of illustrating environmental structure. The broken lines form no part of the claimed design.

1 Claim, 8 Drawing Sheets



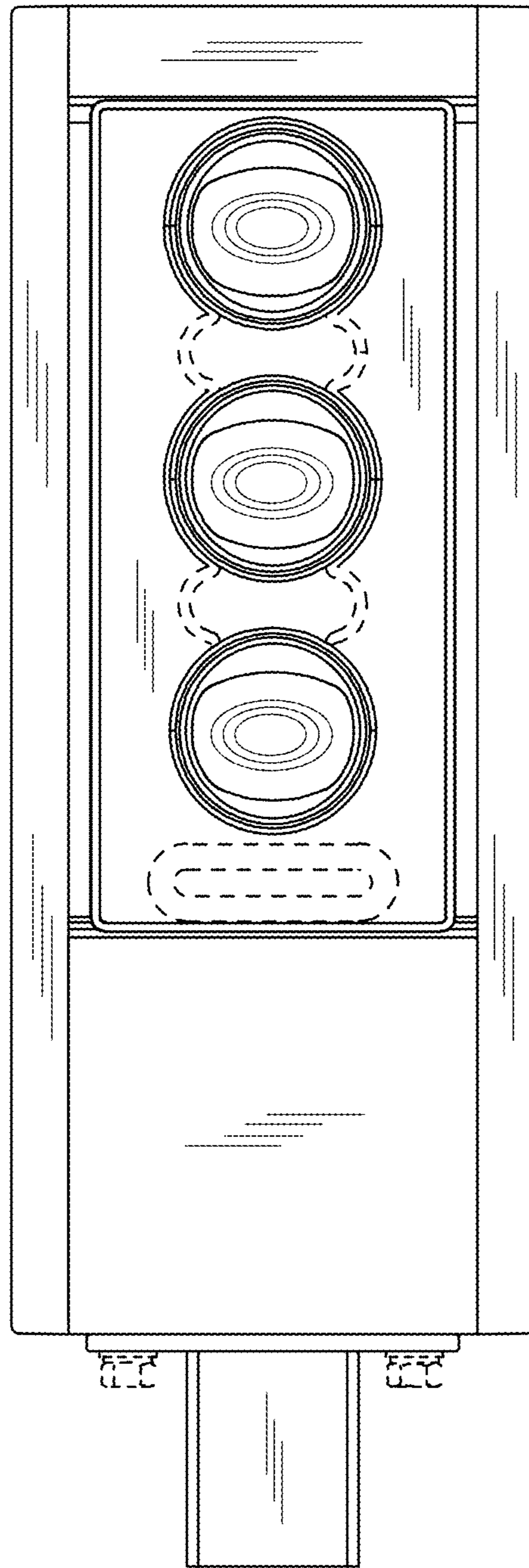


Fig. 1

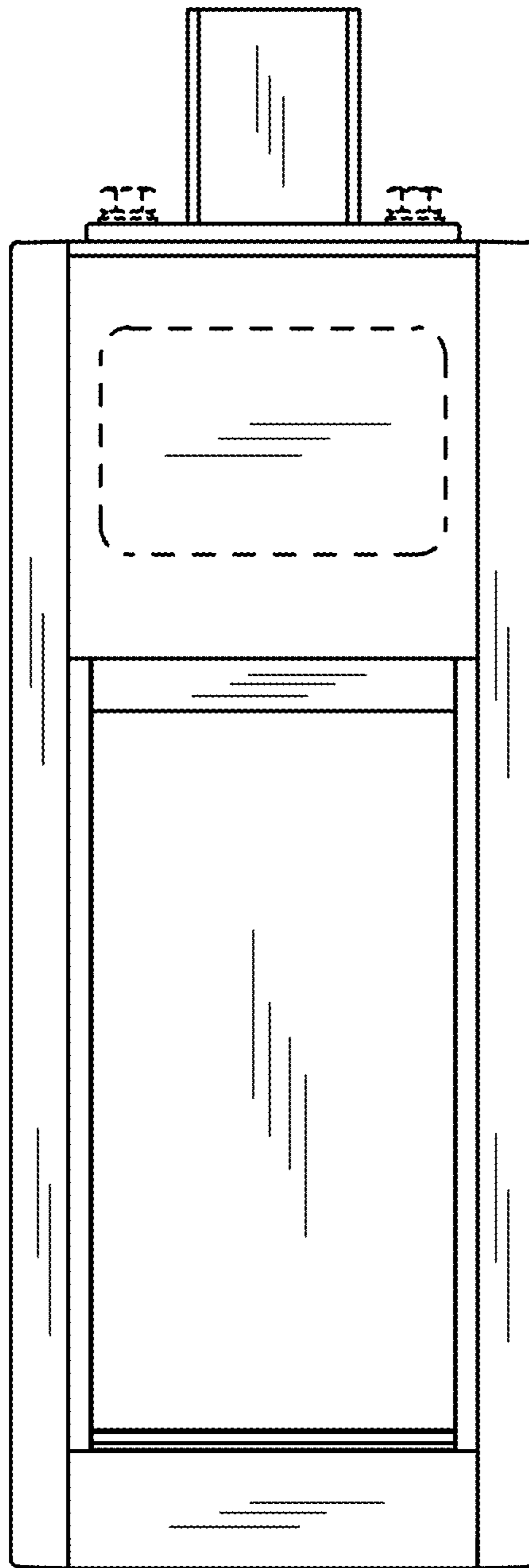


Fig. 2

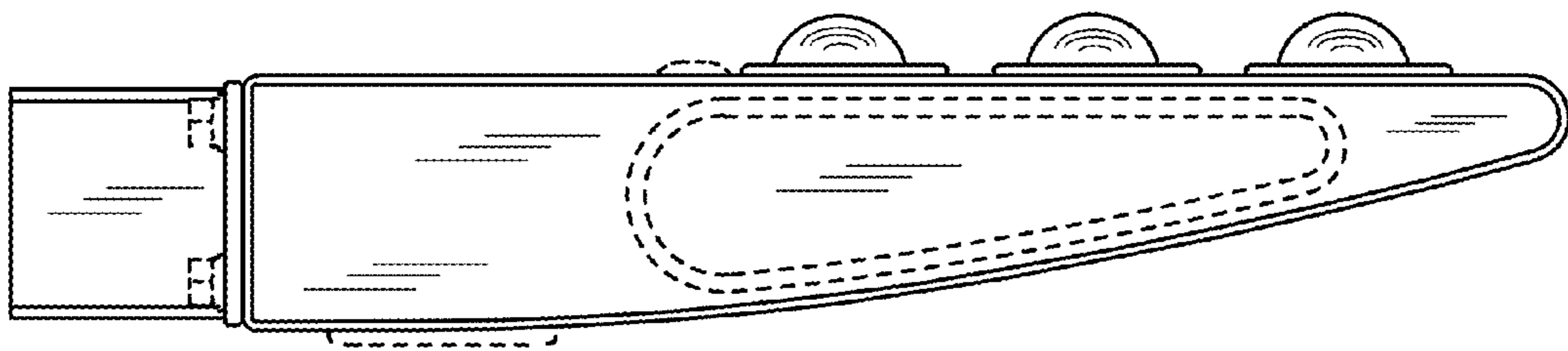


Fig. 3

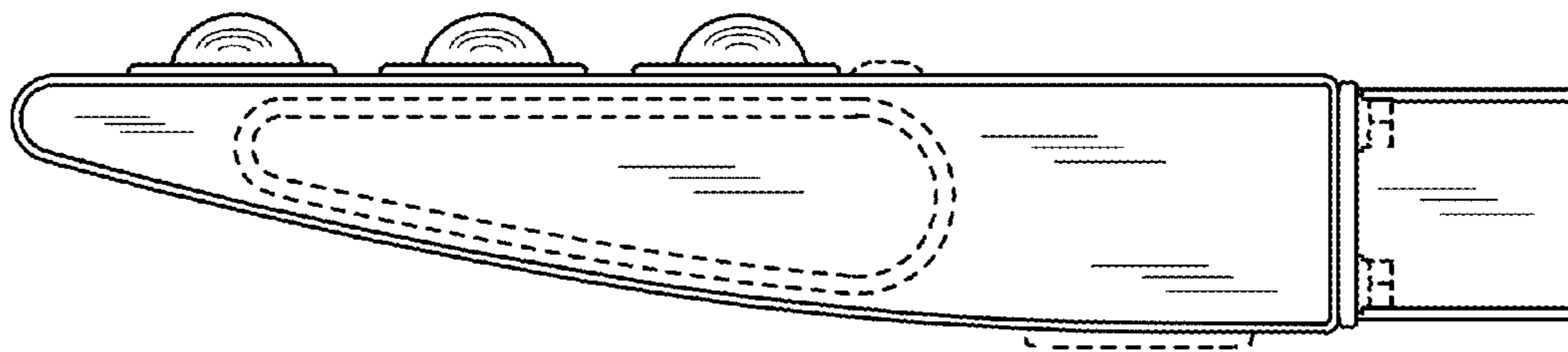


Fig. 4

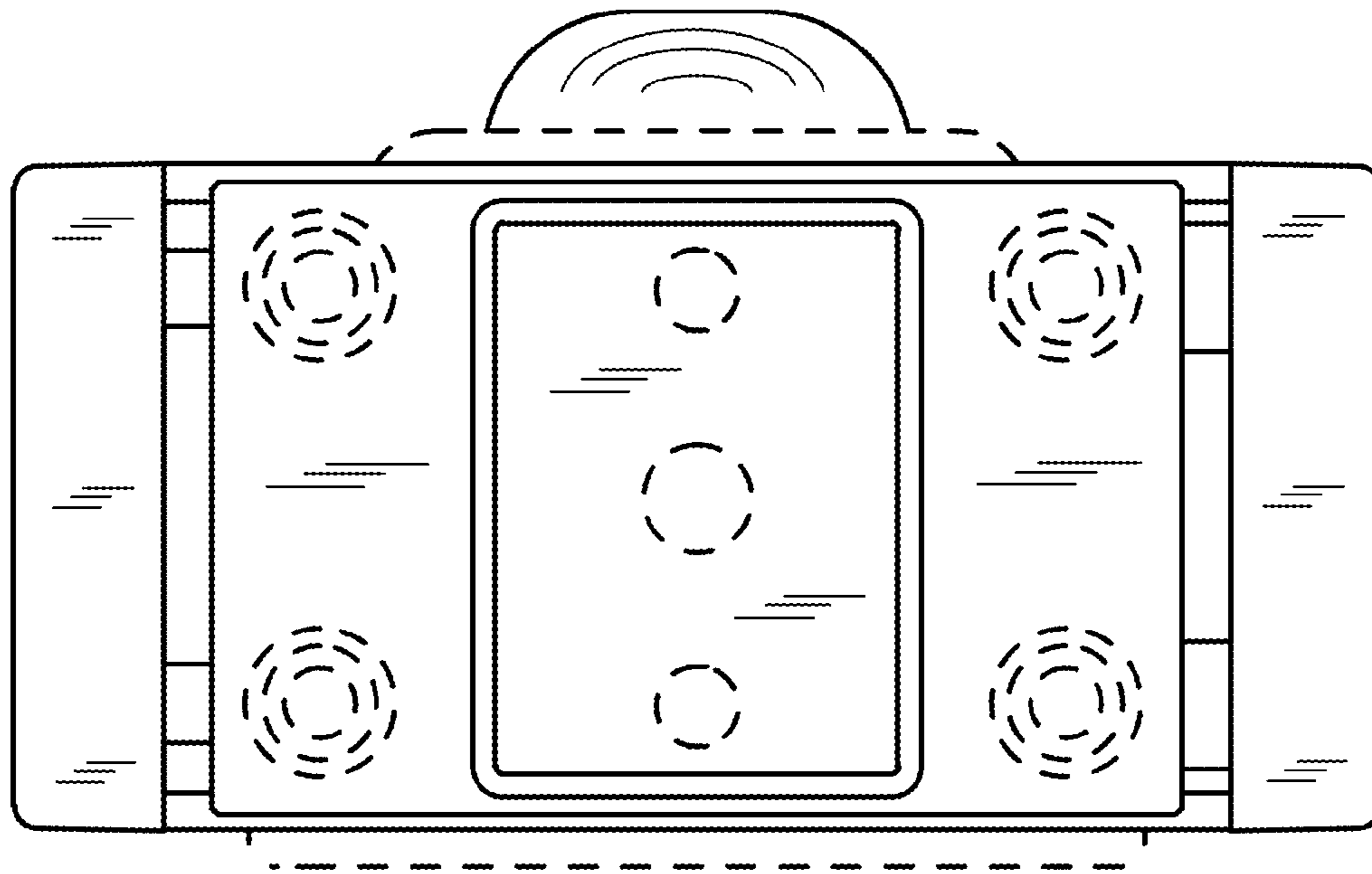


Fig. 5

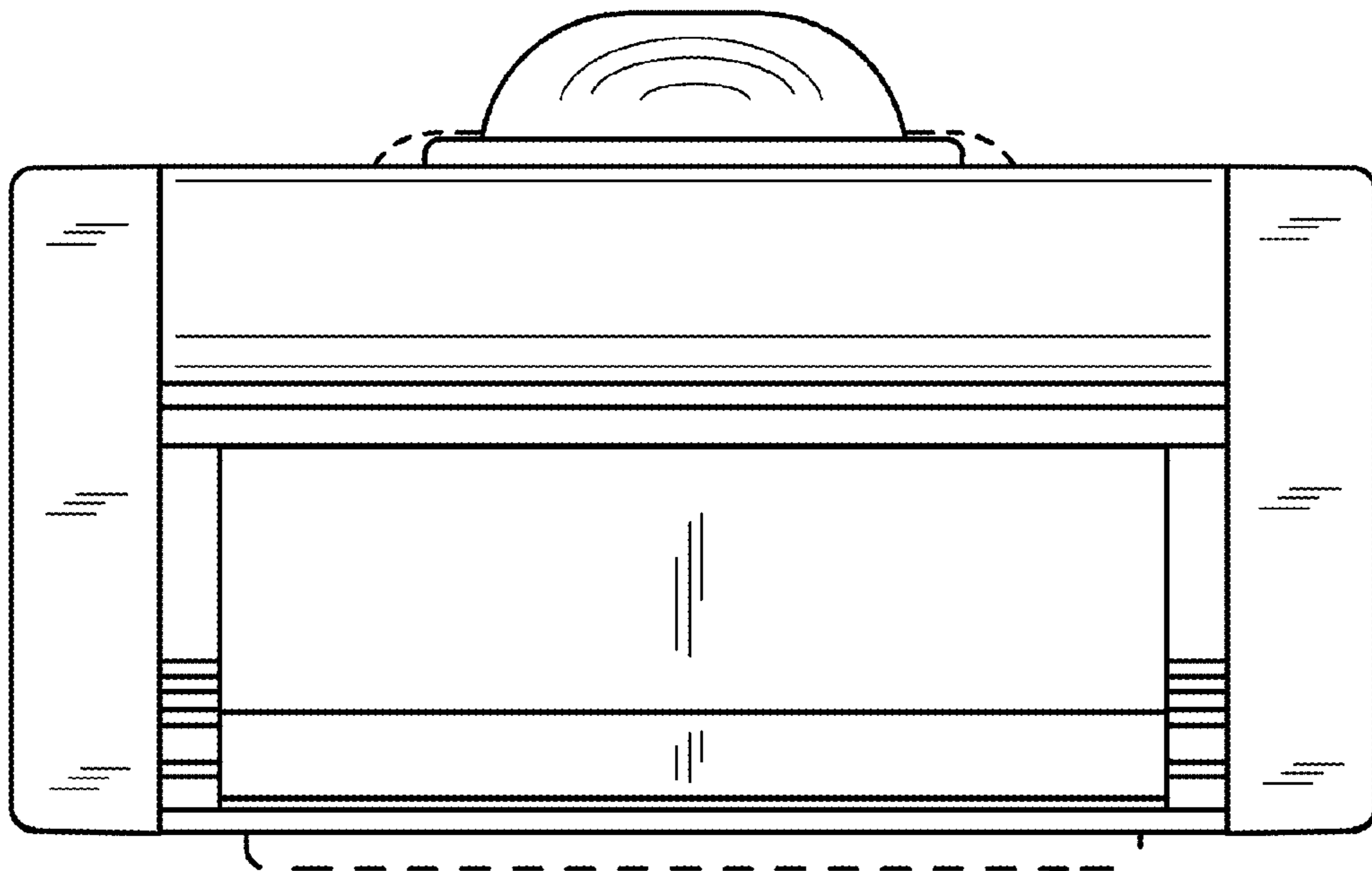


Fig. 6

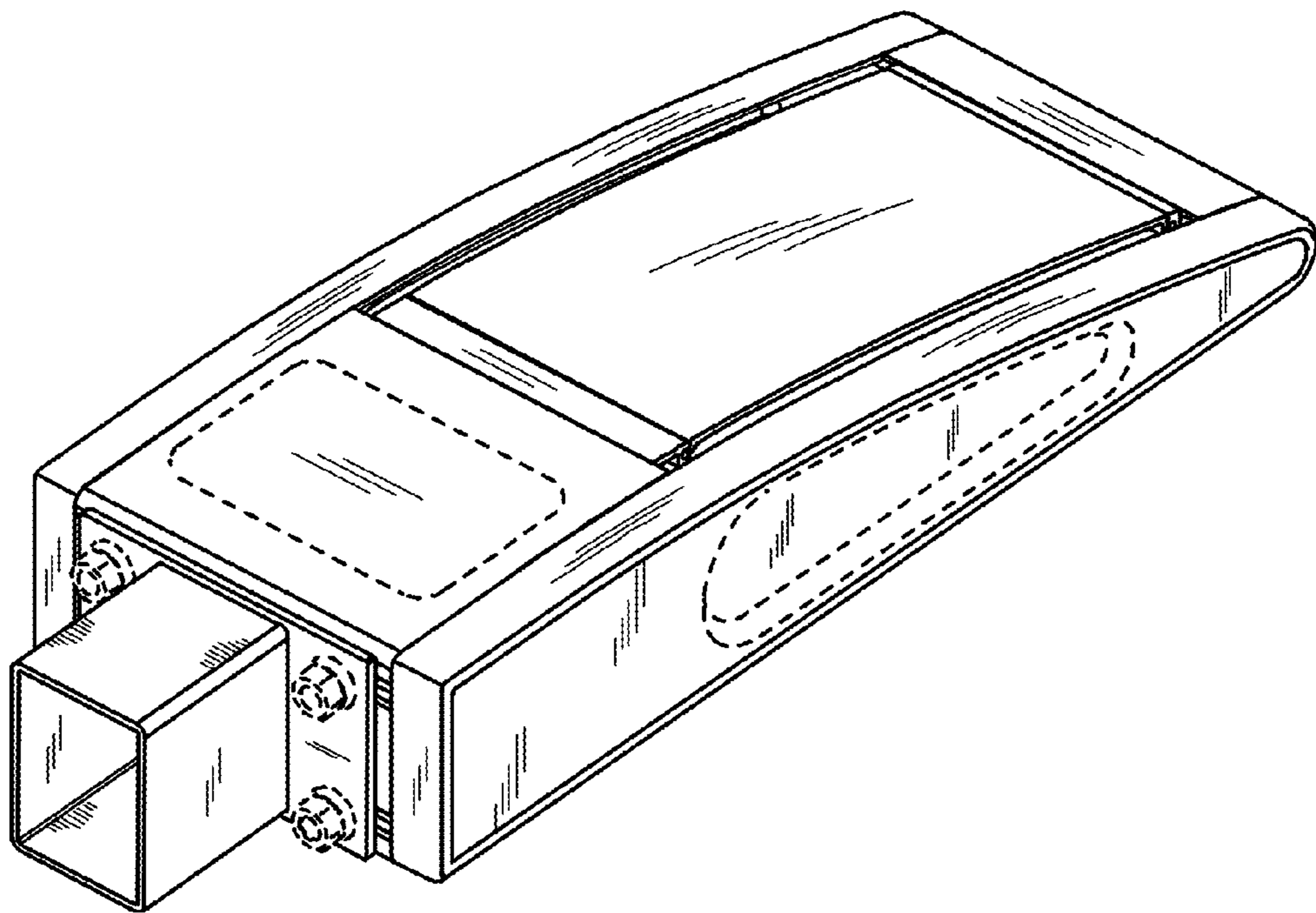


Fig. 7

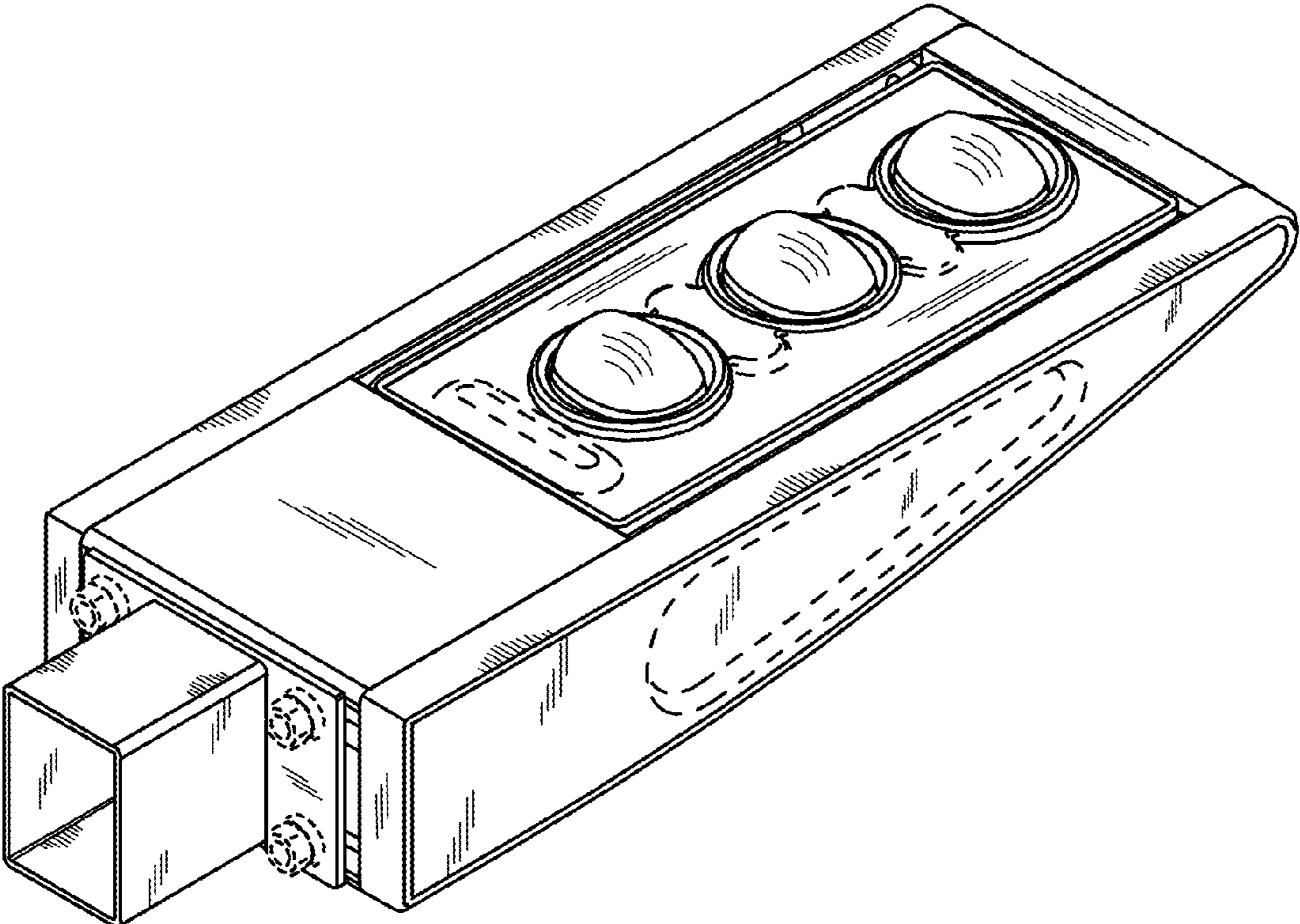


Fig. 8