



US00D733952S

(12) **United States Design Patent**  
**Lay et al.**

(10) **Patent No.:** **US D733,952 S**  
(45) **Date of Patent:** **\*\* Jul. 7, 2015**

(54) **INDIRECT LINEAR FIXTURE**

(71) Applicant: **CREE, INC.**, Durham, NC (US)

(72) Inventors: **James Michael Lay**, Apex, NC (US);  
**Nathan Snell**, Raleigh, NC (US)

(73) Assignee: **Cree, Inc.**, Durham, NC (US)

(\*\*) Term: **14 Years**

(21) Appl. No.: **29/450,283**

(22) Filed: **Mar. 15, 2013**

(51) **LOC (10) Cl.** ..... **26-05**

(52) **U.S. Cl.**  
USPC ..... **D26/75**

(58) **Field of Classification Search**  
USPC ..... D26/3, 24, 35, 39, 42, 71, 72, 75, 76,  
D26/78, 79, 80, 81, 82, 83, 85, 88, 90, 118,  
D26/119, 120, 121, 122, 138; 362/23.07,  
362/23.09, 23.16, 217.01, 217.02, 217.05,  
362/217.08, 217.09, 249.02, 260, 311.02,  
362/555, 612, 614, 800

See application file for complete search history.

(56) **References Cited**

**U.S. PATENT DOCUMENTS**

D123,761 S	*	12/1940	Pieper	.....	D26/24
D168,943 S	*	3/1953	Levaur	.....	D26/78
D306,773 S	*	3/1990	Roulstone	.....	D26/78
4,946,547 A		8/1990	Palmour et al.		
D312,978 S	*	12/1990	Foster	.....	D26/35
D319,601 S	*	9/1991	Sasaki et al.	.....	D26/35

(Continued)

**OTHER PUBLICATIONS**

U.S. Appl. No. 13/649,052, filed Oct. 10, 2012, Lowes, et al.

(Continued)

*Primary Examiner* — Caron D Veynar

*Assistant Examiner* — Natasha Vujcic

(74) *Attorney, Agent, or Firm* — Koppel, Patrick, Heybl & Philpott

(57) **CLAIM**

The ornamental design for an indirect linear fixture, as shown and described herein.

**DESCRIPTION**

FIG. 1 is a front perspective view of a lighting fixture according to an embodiment of the present invention.

FIG. 2 is a left end elevation view of a lighting fixture according to an embodiment of the present invention with the right end of the lighting fixture being a mirror image.

FIG. 3 is a left side partial front elevation view of a lighting fixture according to an embodiment of the present invention.

FIG. 4 is a right side partial front elevation view of a lighting fixture according to an embodiment of the present invention.

FIG. 5 is a left partial bottom elevation view of a lighting fixture according to an embodiment of the present invention with the opposite side being a mirror image.

FIG. 6 is a right partial bottom elevation view of a lighting fixture according to an embodiment of the present invention with the opposite side being a mirror image.

FIG. 7 is a left partial top elevation view and a right partial top elevation view of a lighting fixture according to an embodiment of the present invention.

FIG. 8 is a perspective view of a lighting fixture according to an embodiment of the present invention.

FIG. 9 is a front elevation view of a lighting fixture according to an embodiment of the present invention with the opposite side being a mirror image.

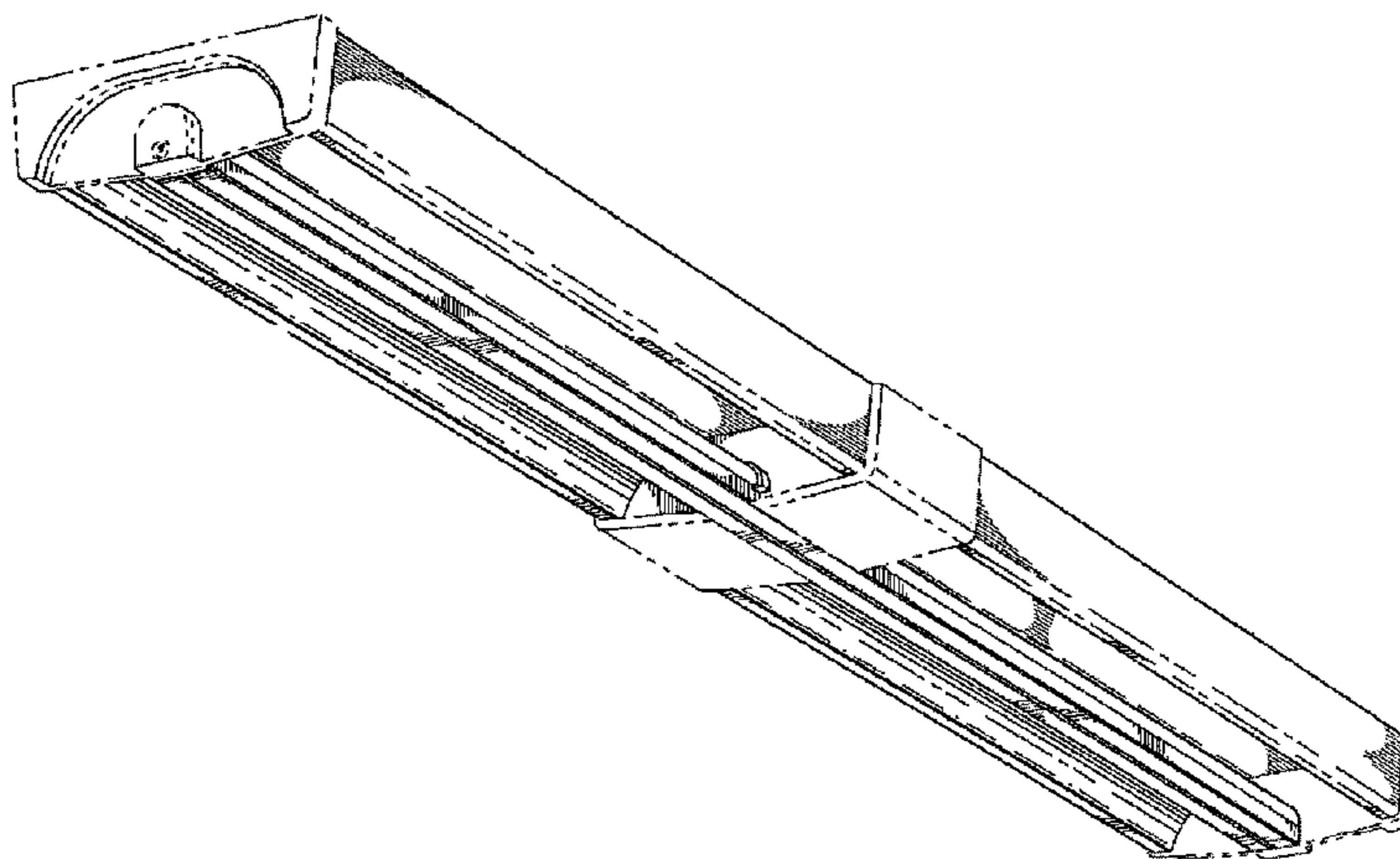
FIG. 10 is a bottom elevation view of a lighting fixture according to an embodiment of the present invention; and,

FIG. 11 is a top elevation view of a lighting fixture according to an embodiment of the present invention.

The broken lines in the drawings illustrate portions of the indirect linear fixture which form no part of the claimed design.

The break lines in FIGS. 8-11 indicate that the appearance of any portion of the indirect linear fixture between the break lines forms no part of the claimed design.

**1 Claim, 7 Drawing Sheets**



(56)

## References Cited

## U.S. PATENT DOCUMENTS

- |              |      |         |                   |            |
|--------------|------|---------|-------------------|------------|
| 5,200,022    | A    | 4/1993  | Kong et al.       |            |
| D344,605     | S *  | 2/1994  | Aspenwall         | D26/76     |
| D345,316     | S *  | 3/1994  | Green et al.      | D26/35     |
| RE34,861     | E    | 2/1995  | Davis et al.      |            |
| 5,690,415    | A    | 11/1997 | Krehl             | 362/125    |
| 5,823,663    | A    | 10/1998 | Bell et al.       |            |
| 5,951,150    | A    | 9/1999  | Helstern          | 362/293    |
| 6,210,025    | B1   | 4/2001  | Schmidt et al.    |            |
| 6,536,924    | B2   | 3/2003  | Segretto          | 362/345    |
| D473,328     | S *  | 4/2003  | Chelf             | D26/3      |
| D476,753     | S *  | 7/2003  | Chelf et al.      | D26/3      |
| 6,667,451    | B1   | 12/2003 | Hart              | 200/314    |
| 6,739,734    | B1   | 5/2004  | Hulgan            | 362/243    |
| 6,914,194    | B2   | 7/2005  | Fan               |            |
| 7,213,940    | B1   | 5/2007  | Van de Ven et al. |            |
| 7,387,410    | B2   | 6/2008  | Sibout            | 362/375    |
| D603,078     | S *  | 10/2009 | Noh               | D26/76     |
| D606,229     | S *  | 12/2009 | Johansen et al.   | D26/80     |
| 7,628,506    | B2   | 12/2009 | Verfuert et al.   | 362/218    |
| D607,599     | S *  | 1/2010  | Zhou et al.       | D26/80     |
| 7,722,220    | B2   | 5/2010  | Van de Ven et al. |            |
| D617,487     | S *  | 6/2010  | Fowler et al.     | D26/76     |
| 7,791,061    | B2   | 9/2010  | Edmond et al.     |            |
| D633,640     | S *  | 3/2011  | Wauters           | D26/85     |
| 8,058,088    | B2   | 11/2011 | Cannon et al.     |            |
| 8,206,004    | B2   | 6/2012  | Serak et al.      | 362/217    |
| D669,204     | S *  | 10/2012 | Snell et al.      | D26/76     |
| D671,254     | S *  | 11/2012 | Miyatake et al.   | D26/75     |
| 8,317,369    | B2   | 11/2012 | McCanless         | 362/368    |
| D675,365     | S *  | 1/2013  | Beghelli          | D26/78     |
| D679,440     | S *  | 4/2013  | Smith             | D26/80     |
| 8,523,383    | B1   | 9/2013  | Grigore et al.    | 362/221    |
| D695,443     | S *  | 12/2013 | Kaule et al.      | D26/76     |
| 2005/0146867 | A1   | 7/2005  | Kassay et al.     | 362/217    |
| 2006/0050505 | A1   | 3/2006  | McCarthy et al.   | 362/219    |
| 2006/0146531 | A1 * | 7/2006  | Reo et al.        | 362/249    |
| 2007/0158668 | A1   | 7/2007  | Tarsa et al.      |            |
| 2008/0128723 | A1   | 6/2008  | Pang              |            |
| 2008/0173884 | A1   | 7/2008  | Chitnis et al.    |            |
| 2008/0179611 | A1   | 7/2008  | Chitnis et al.    |            |
| 2008/0258130 | A1   | 10/2008 | Bergmann et al.   |            |
| 2008/0314944 | A1   | 12/2008 | Tsai et al.       | 224/331    |
| 2009/0040782 | A1   | 2/2009  | Liu et al.        | 362/555    |
| 2009/0184333 | A1   | 7/2009  | Wang et al.       |            |
| 2009/0212304 | A1   | 8/2009  | Wang et al.       |            |
| 2009/0224265 | A1   | 9/2009  | Wang et al.       |            |
| 2009/0290345 | A1   | 11/2009 | Shaner            | 362/249.01 |
| 2009/0296381 | A1   | 12/2009 | Dubord            | 362/218    |
| 2010/0142205 | A1   | 6/2010  | Bishop            | 362/249.02 |
| 2010/0155763 | A1   | 6/2010  | Donofrio et al.   |            |
| 2011/0007514 | A1   | 1/2011  | Sloan et al.      | 362/368    |
| 2011/0013400 | A1   | 1/2011  | Kanno et al.      |            |
| 2011/0028006 | A1   | 2/2011  | Shah et al.       | 439/39     |
| 2011/0163683 | A1   | 7/2011  | Steele et al.     | 315/192    |
| 2011/0310604 | A1   | 12/2011 | Shimizu et al.    | 362/235    |
| 2012/0002408 | A1   | 1/2012  | Lichten et al.    | 362/218    |
| 2012/0075857 | A1   | 3/2012  | Verbrugh          | 362/249    |
| 2012/0081883 | A1   | 4/2012  | Wang              | 362/101    |
| 2012/0120666 | A1   | 5/2012  | Moeller           | 362/308    |
| 2012/0235199 | A1   | 9/2012  | Andrews et al.    |            |
| 2013/0021792 | A1 * | 1/2013  | Snell et al.      | 362/218    |
| 2013/0050998 | A1   | 2/2013  | Chu et al.        | 362/218    |
| 2013/0271979 | A1   | 10/2013 | Pearson et al.    | 362/235    |
| 2013/0286637 | A1 * | 10/2013 | Lay et al.        | 362/147    |
| 2013/0329425 | A1   | 12/2013 | Lowes et al.      |            |
| 2014/0265809 | A1   | 9/2014  | Hussell           |            |

## OTHER PUBLICATIONS

- U.S. Appl. No. 13/649,067, filed Oct. 10, 2012, Lowes, et al.  
U.S. Appl. No. 13/770,389, filed Feb. 19, 2013, Lowes, et al.  
U.S. Appl. No. 13/782,820, filed Mar. 1, 2013, Dixon, et al.  
U.S. Appl. No. 12/873,303, filed Aug. 31, 2010, Edmond, et al.  
U.S. Appl. No. 13/345,215, filed Jan. 6, 2012, Lu, et al.  
U.S. Appl. No. 13/442,311, filed Apr. 9, 2012, Lu, et al.  
U.S. Appl. No. 12/463,709, filed May 11, 2009, Donofrio, et al.  
U.S. Appl. No. 11/656,759, filed Jan. 22, 2007, Chitnis, et al.  
U.S. Appl. No. 11/899,790, filed Sep. 7, 2007, Chitnis, et al.  
Circalok™ conductive adhesive, 6972 and 6968, by Lord Corporation, 2 pages.  
WhiteOpticstm White97 Film, Reflector Film Technical Data Sheet, WhiteOptics, LLC, New Castle, DE.  
Office Action from U.S. Appl. No. 29/449,316, dated Jun. 5, 2014.  
Office Action from U.S. Appl. No. 13/842,150, dated Jun. 18, 2014.  
Leviton LED Magnetic Tube Retrofit Series datasheet, 1 page, from www.leviton.com.  
Office Action from U.S. Appl. No. 13/829,558, dated Sep. 30, 2014.  
Office Action from U.S. Appl. No. 29/449,316, dated Nov. 26, 2014.  
Office Action from U.S. Appl. No. 13/840,812, dated Nov. 28, 2014.  
Office Action from U.S. Appl. No. 13/763,270, dated Oct. 3, 2014.  
Restriction Requirement from U.S. Appl. No. 13/839,130, dated Jul. 28, 2014.  
Office Action from U.S. Appl. No. 13/839,130, dated Sep. 25, 2014.  
Office Action from U.S. Appl. No. 13/672,592, dated Jan. 7, 2015.  
Office Action from U.S. Appl. No. 13/899,314, dated Jan. 15, 2015.  
Office Action from U.S. Appl. No. 13/842,150, dated Jan. 22, 2015.  
Office Action from U.S. Appl. No. 13/829,558, dated Mar. 9, 2015.  
Office Action from U.S. Appl. No. 13/958,462, dated Mar. 10, 2015.

\* cited by examiner



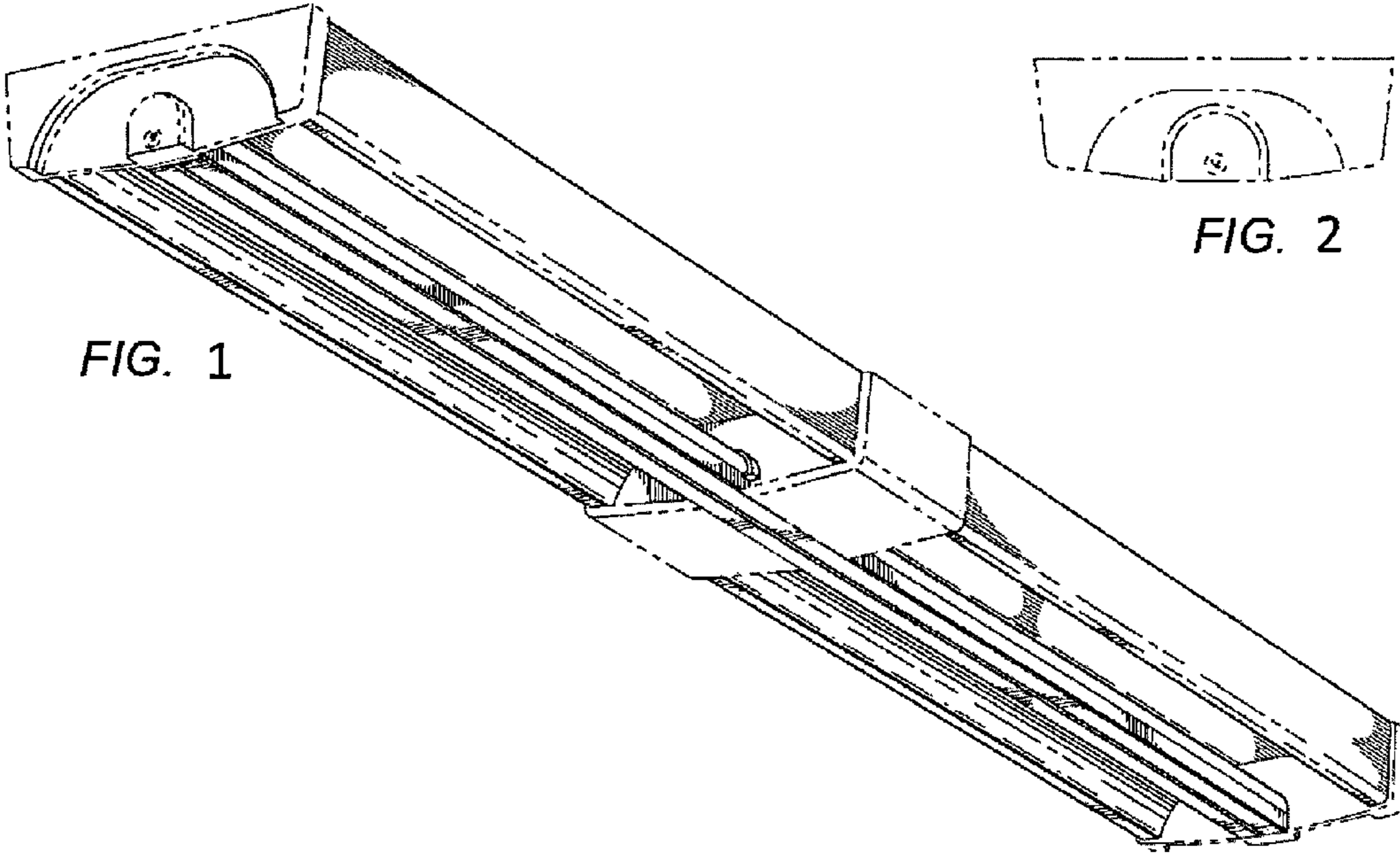


FIG. 1

FIG. 2

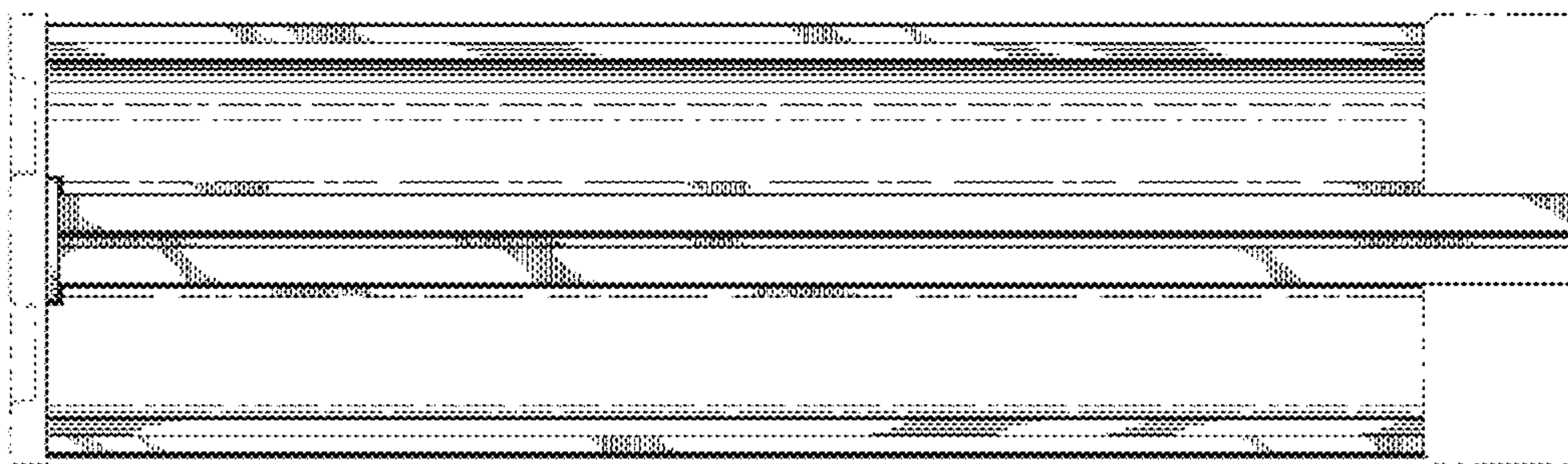
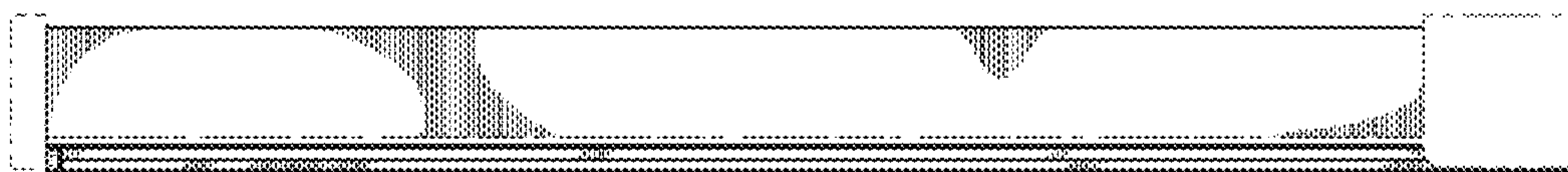


FIG. 5

FIG. 3



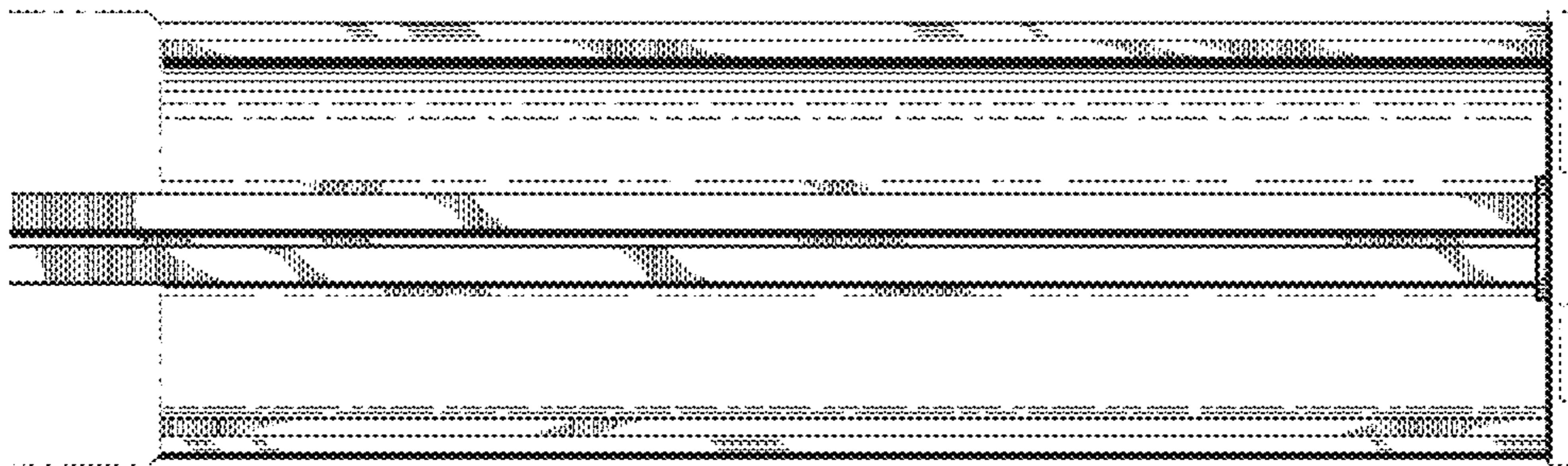


FIG. 6



FIG. 4

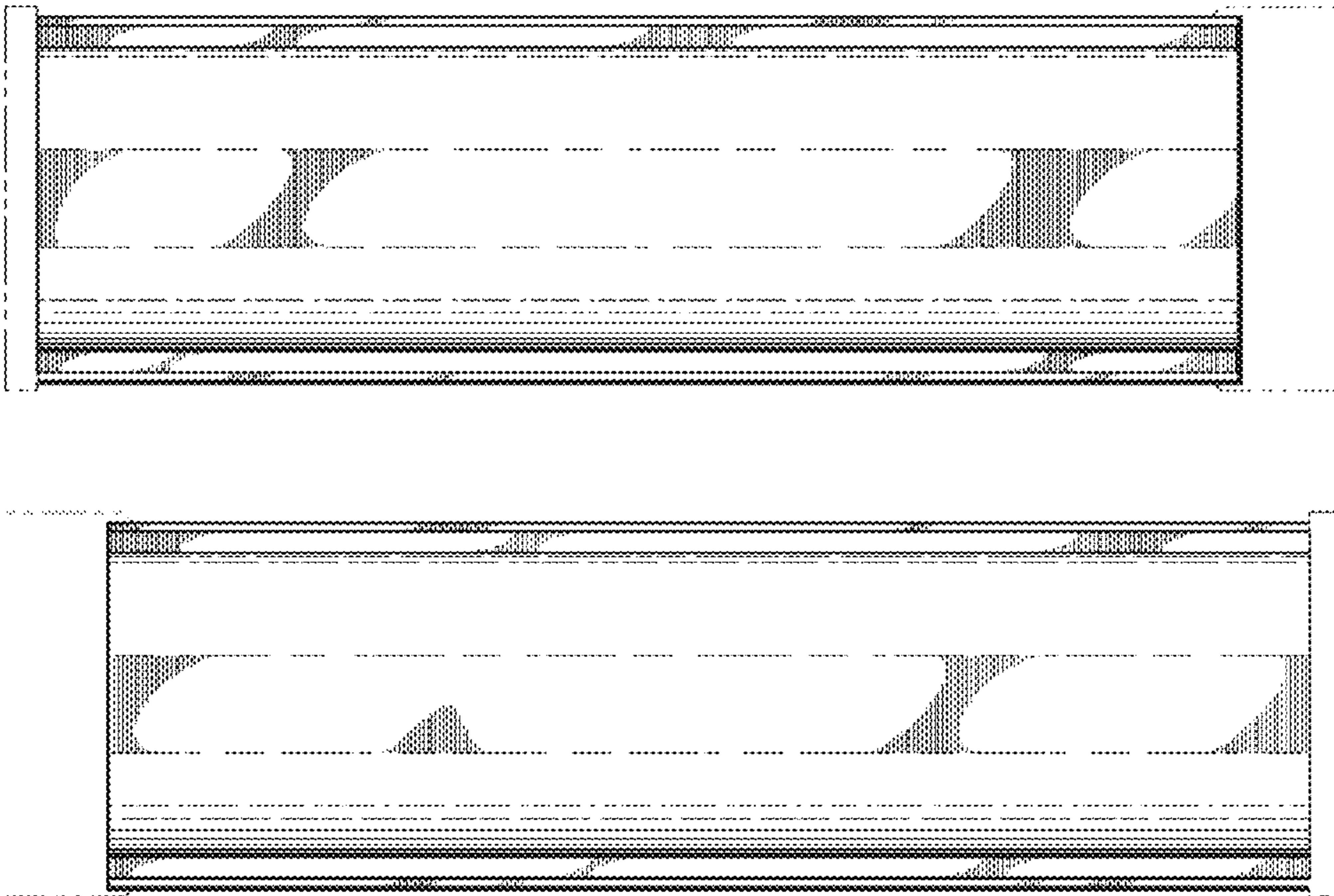


FIG. 7

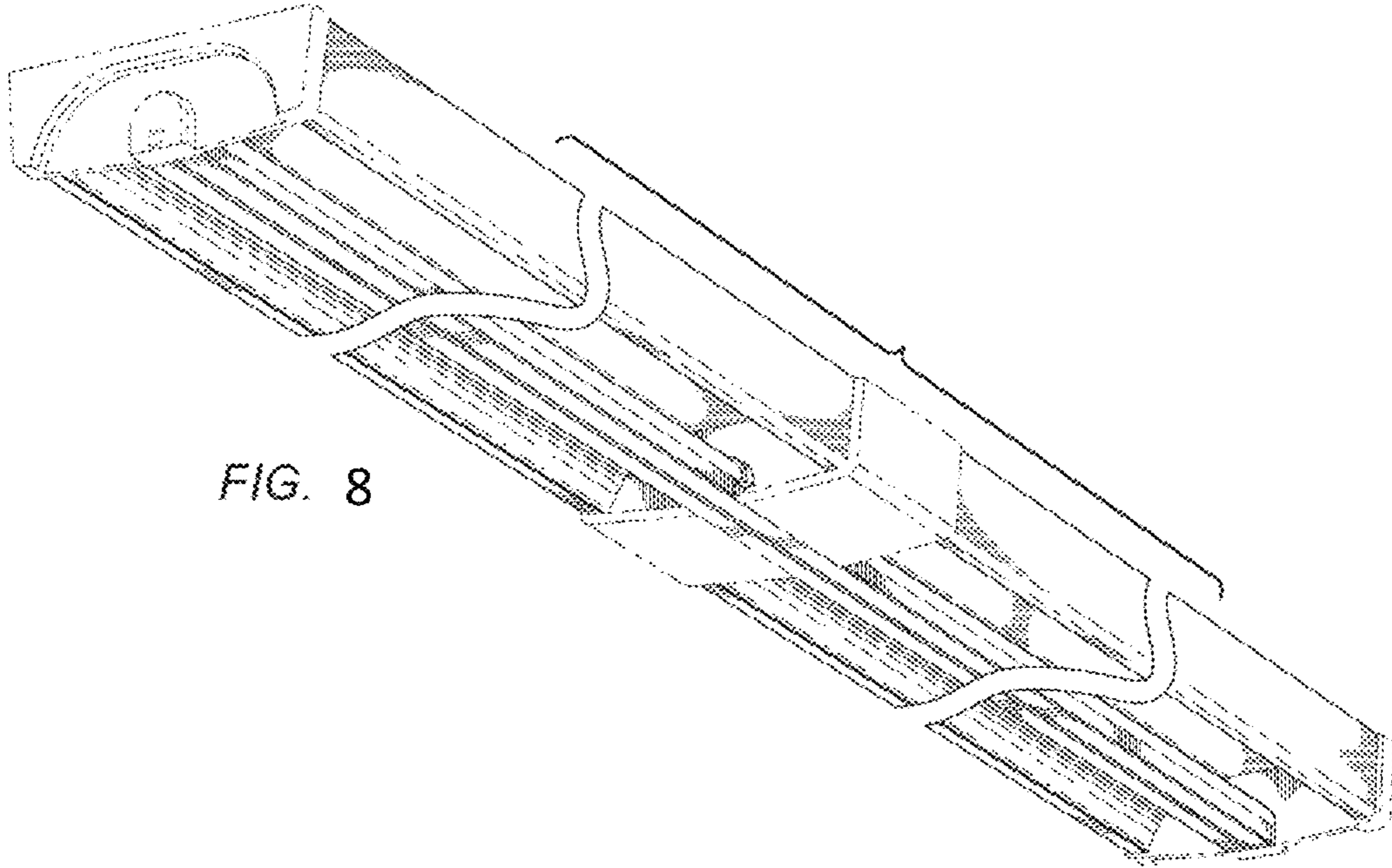


FIG. 8

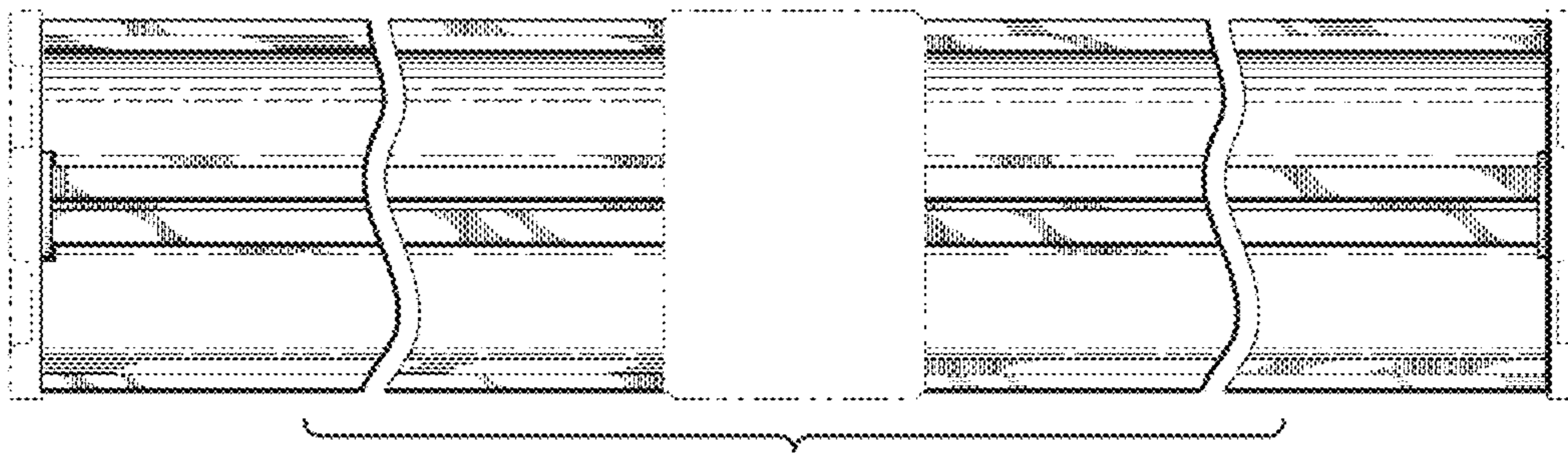


FIG. 10

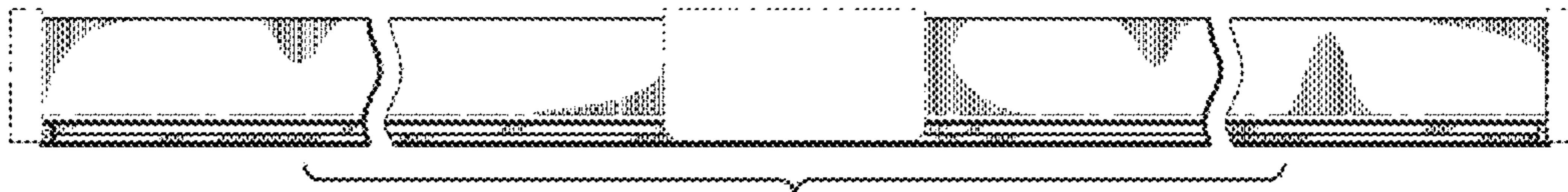


FIG. 9



FIG. 11

