



US00D733951S

(12) **United States Design Patent**
Kent

(10) **Patent No.:** **US D733,951 S**
(45) **Date of Patent:** **** Jul. 7, 2015**

(54) **WEARABLE PORTABLE LIGHT**

(71) Applicant: **Streamlight, Inc.**, Eagleville, PA (US)

(72) Inventor: **Todd J. Kent**, Cherry Hill, NJ (US)

(73) Assignee: **Streamlight, Inc.**, Eagleville, PA (US)

(**) Term: **14 Years**

(21) Appl. No.: **29/437,853**

(22) Filed: **Nov. 21, 2012**

(51) **LOC (10) Cl.** **26-02**

(52) **U.S. Cl.**
USPC **D26/39**

(58) **Field of Classification Search**
USPC D26/37, 38, 39, 46; 362/103-108, 157,
362/158, 184, 183, 194-201, 208, 253
CPC F21V 33/00; F21V 14/025; F21V 21/406;
F21Y 2101/02; F21L 2003/00; F21L 2005/00;
F21L 2/00; F21L 4/00; F21L 4/005; F21L
17/00; F21L 13/08

See application file for complete search history.

(56) **References Cited**

U.S. PATENT DOCUMENTS

3,705,983	A	12/1972	Yamada	
D324,430	S	3/1992	Sharrah et al.	
5,605,394	A	2/1997	Chen	
D380,858	S	7/1997	Sharrah et al.	
D381,812	S	8/1997	Sharrah et al.	
D405,202	S *	2/1999	Fattori et al.	D26/39
D435,922	S	1/2001	Shing	
D445,931	S	7/2001	Shiu	
D447,587	S	9/2001	Poon	

(Continued)

FOREIGN PATENT DOCUMENTS

DE	283441	4/1915
DE	8515726	8/1985

(Continued)

OTHER PUBLICATIONS

Streamlight, "Argo Luxeon Headlamp," http://www.streamlight.com/argo_info.htm, Printed Oct. 18, 2004, 2 Pages.

(Continued)

Primary Examiner — Ian Simmons

Assistant Examiner — Carissa C Fitts

(74) *Attorney, Agent, or Firm* — Clement A. Berard, Esq.;
Dann, Dorfman, Herrell & Skillman, PC

(57) **CLAIM**

The ornamental design for a wearable portable light, substantially as shown and described.

DESCRIPTION

FIG. 1 is a perspective view of an ornamental design for a wearable portable light;

FIG. 2 is a rear perspective view of the design for a wearable portable light;

FIG. 3 is a front view of the design for a wearable portable light;

FIG. 4 is a side view of a first side of the design for a wearable portable light;

FIG. 5 is a side view of a second side of the design for a wearable portable light;

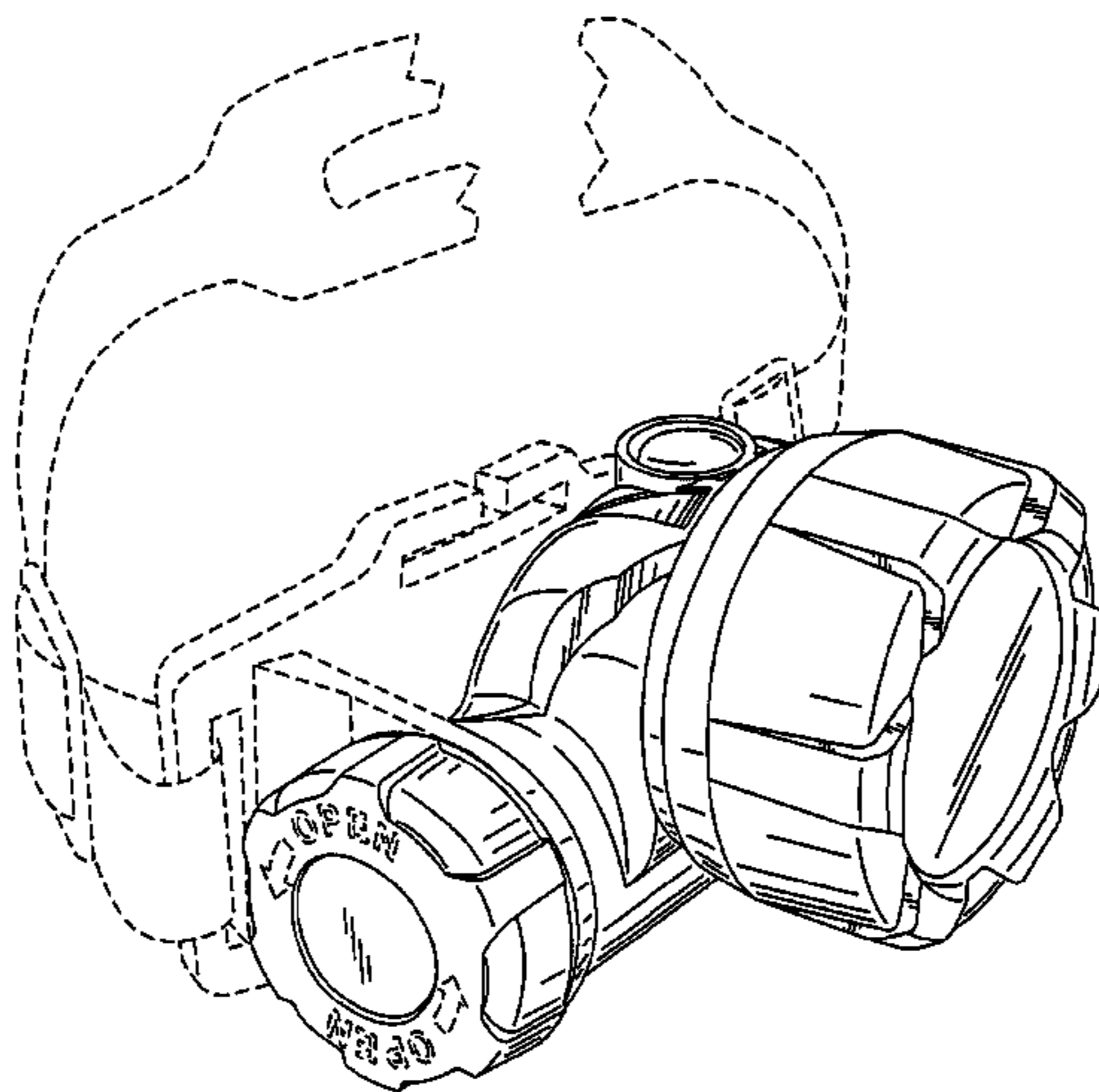
FIG. 6 is a rear view of the design for a wearable portable light;

FIG. 7 is a top view of the design for a wearable portable light;

and, FIG. 8 is a bottom view of the design for a wearable portable light.

Broken lines in the illustrations of the DRAWING indicate unclaimed parts of the article and/or unclaimed environment, such as a headband, that are not part of the design illustrated and claimed herein.

1 Claim, 5 Drawing Sheets



(56)

References Cited

U.S. PATENT DOCUMENTS

6,474,837 B1 11/2002 Belliveau
 D477,680 S 7/2003 Petzl
 D482,471 S * 11/2003 Shiu D26/39
 D482,472 S 11/2003 Shiu
 D482,473 S 11/2003 Shiu
 D482,811 S 11/2003 Petzl
 D485,384 S 1/2004 Poon
 D508,140 S 8/2005 Sharrah
 D525,734 S * 7/2006 Shiao D26/39
 D529,213 S 9/2006 Shiu
 D532,537 S 11/2006 Shiu
 D532,538 S 11/2006 Yuen
 D534,289 S * 12/2006 Shiu D26/39
 D536,115 S * 1/2007 Shiu D26/39
 7,192,165 B2 3/2007 Petzl et al.
 7,226,190 B2 6/2007 Petzl et al.
 D552,775 S * 10/2007 Shiu D26/39
 D553,277 S * 10/2007 Ho et al. D26/39
 D557,842 S 12/2007 Lee
 D560,008 S 1/2008 Poon
 D560,009 S 1/2008 Spartano et al.
 D568,509 S 5/2008 Shiu
 D575,888 S * 8/2008 Shiu D26/39
 7,410,272 B2 8/2008 Halasz
 D614,786 S * 4/2010 Lee D26/39
 D615,225 S * 5/2010 DeBrunner D26/39
 D615,680 S * 5/2010 Kim D26/39
 D620,160 S * 7/2010 Kang et al. D26/39
 D621,079 S * 8/2010 Lau D26/39
 D624,221 S * 9/2010 DeBrunner D26/39
 8,148,912 B2 4/2012 Kim
 D674,944 S * 1/2013 Bertken D26/39
 D676,992 S * 2/2013 Trude D26/39

FOREIGN PATENT DOCUMENTS

EP 0111818 6/1984
 EP 1588094 3/2008
 FR 2745627 9/1997
 FR 2850448 1/2006
 GB 2264164 8/1993
 WO 01/57431 8/2001
 WO 2004/070268 8/2004

OTHER PUBLICATIONS

Streamlight, "Argo Luxeon Headlamp Specifications," http://www.streamlight.com/argo_spec.htm, Printed Oct. 18, 2004, 1 Page.
 Streamlight, "Wow Parts & Accessories," http://www.streamlight.com/wow_accessories.htm, Printed Oct. 18, 2004, 1 Page.
 Streamlight, "Wow Specifications," http://www.streamlight.com/wow_specifications.htm, Printed Oct. 18, 2004, 1 Page.
 Streamlight, "TopSpot II Specifications," http://www.streamlight.com/topspot_2_specifications.htm, Printed Oct. 18, 2004, 1 Page.
 Streamlight, "TopSpot II Parts & Accessories," http://www.streamlight.com/topspot_2_accessories.htm, Printed Oct. 18, 2004, 1 Page.
 Streamlight, "Septor Information," http://www.streamlight.com/septor_info.htm, Printed Oct. 21, 2004, 2 Pages.
 Streamlight, "Septor Specifications," http://www.streamlight.com/septor_spec.htm, Printed Oct. 21, 2004, 1 Page.
 Streamlight, "Trident Information," http://www.streamlight.com/trident_info.htm, Printed Oct. 21, 2004, 2 Pages.
 Streamlight, "Trident Specifications," http://www.streamlight.com/trident_spec.htm, Printed Oct. 21, 2004, 1 Page.
 Streamlight, "New Trident/New Septor/New ClipMate," Led Technology Meets Streamlight Quality, Sep. 2002, Pamphlet. #990633.
 Streamlight, "New ARGO Luxeon LED Headlamp," Feb. 2004, Pamphlet.: #990661.

* cited by examiner

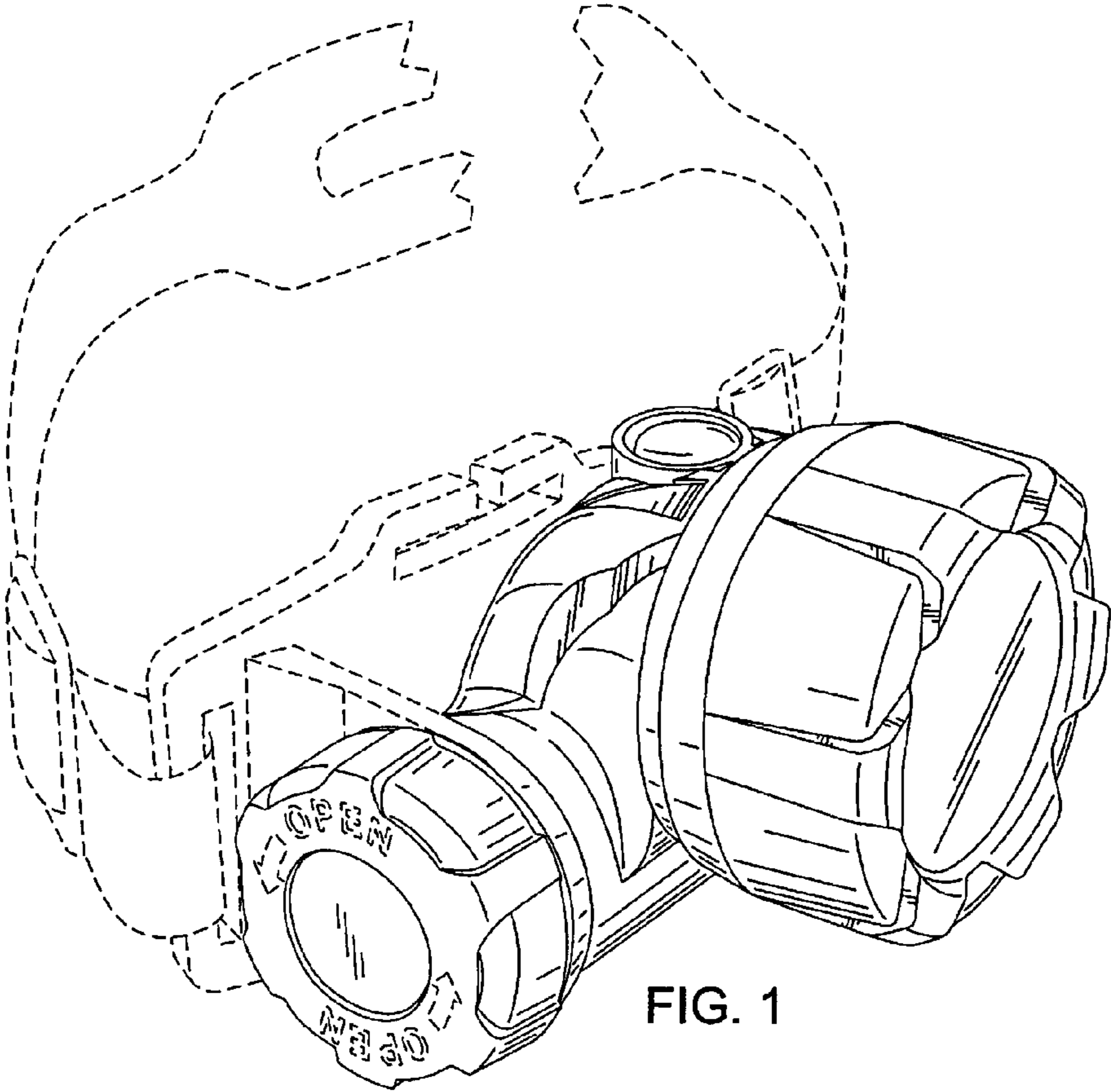


FIG. 1

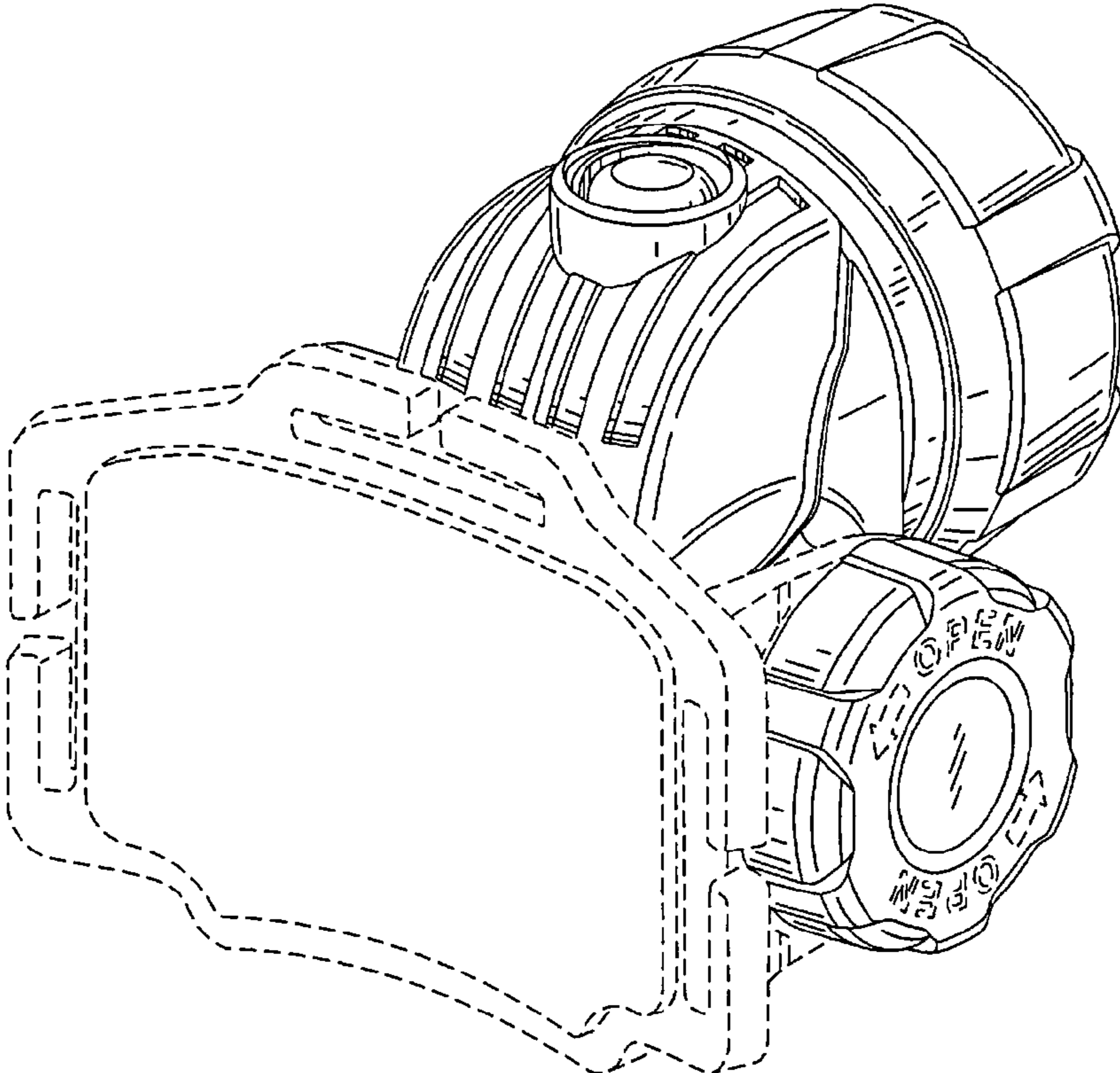


FIG. 2

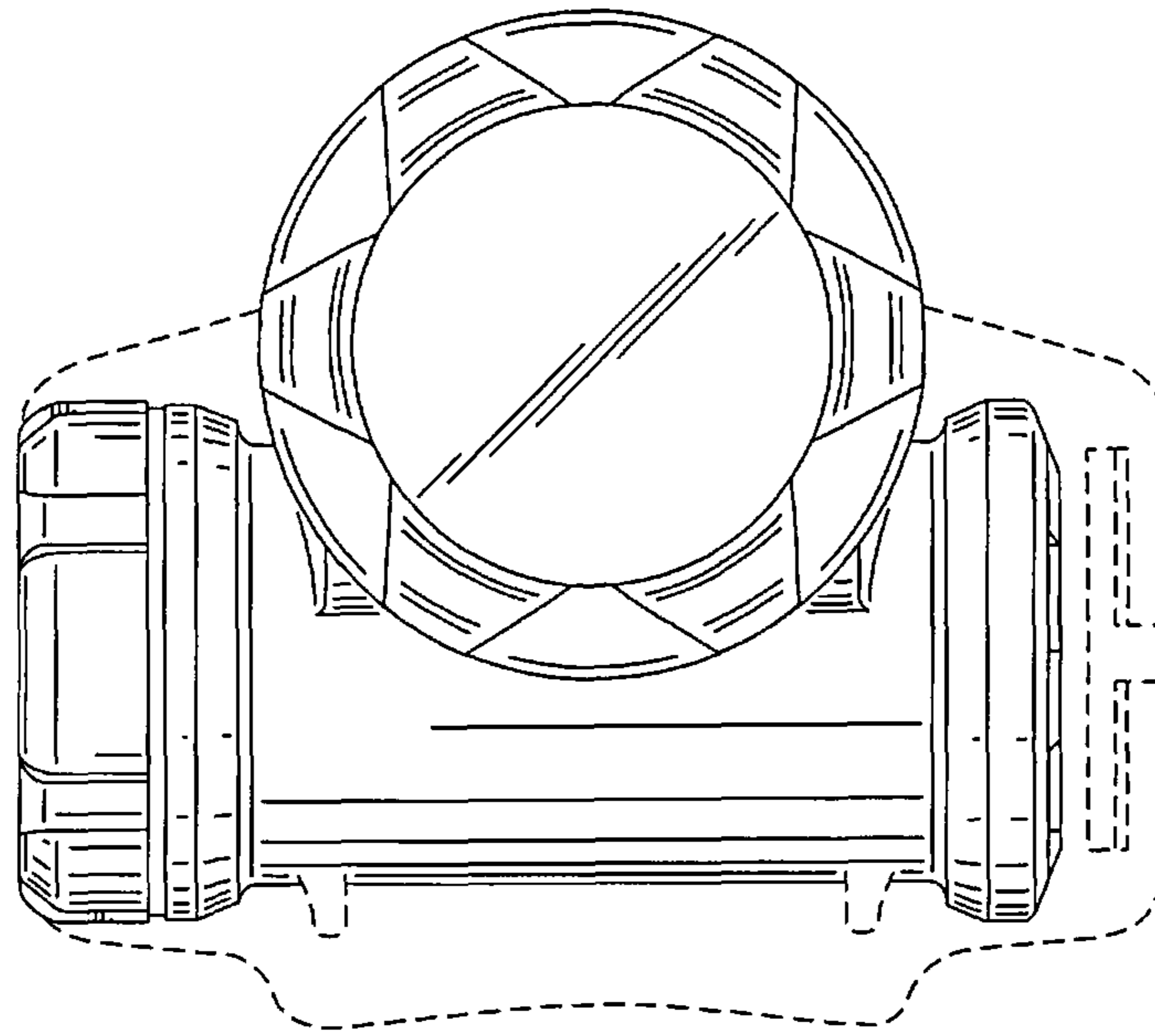


FIG. 3

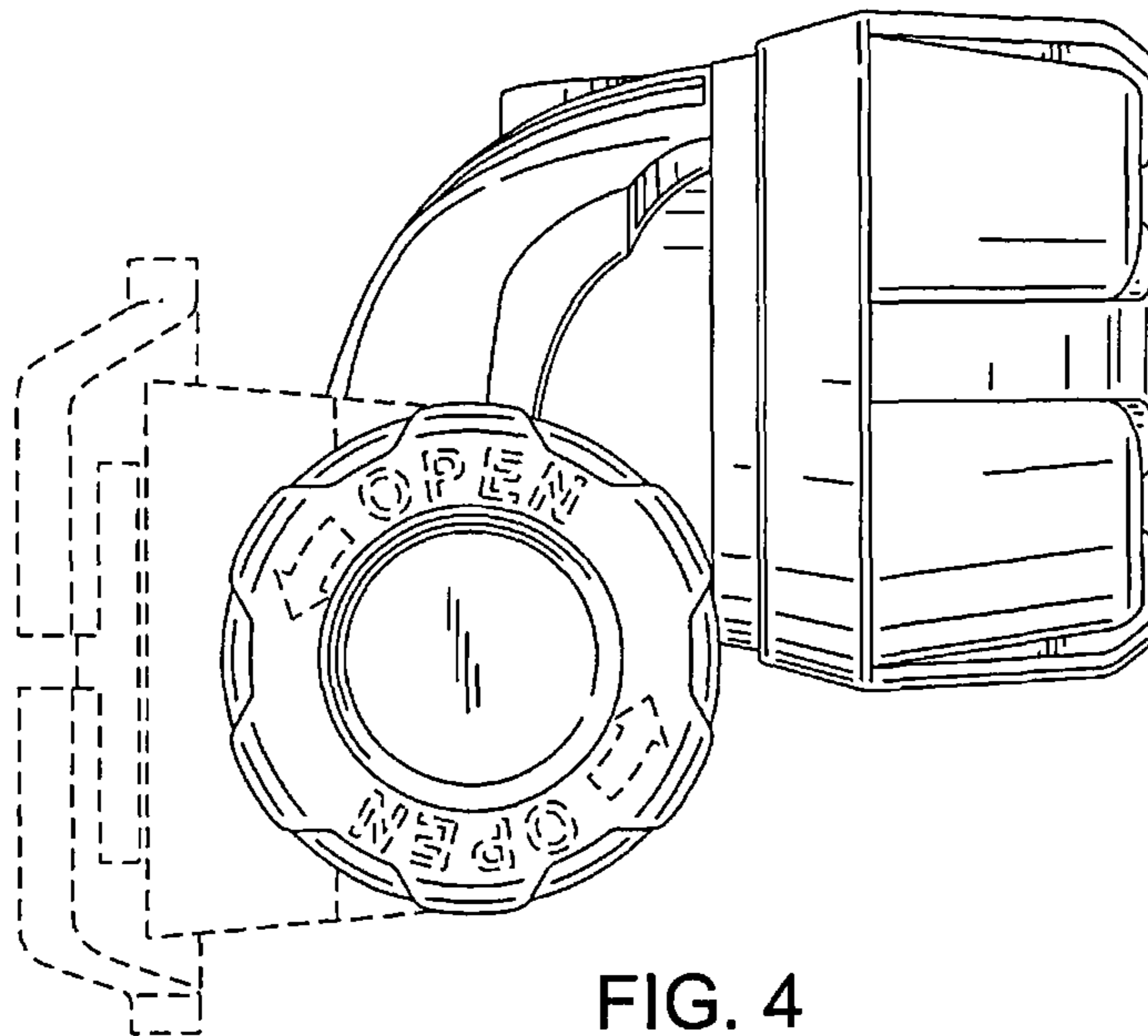


FIG. 4

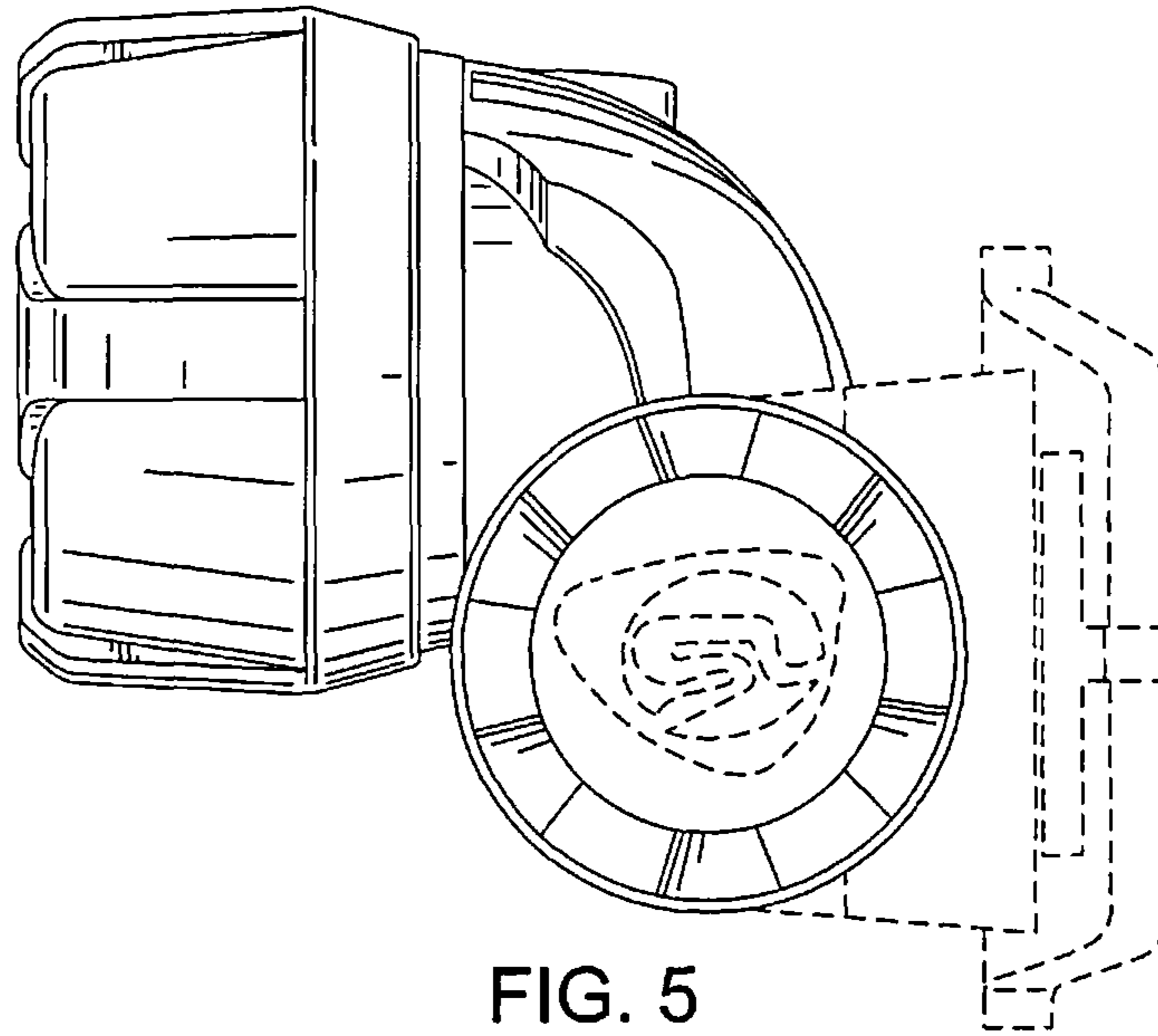


FIG. 5

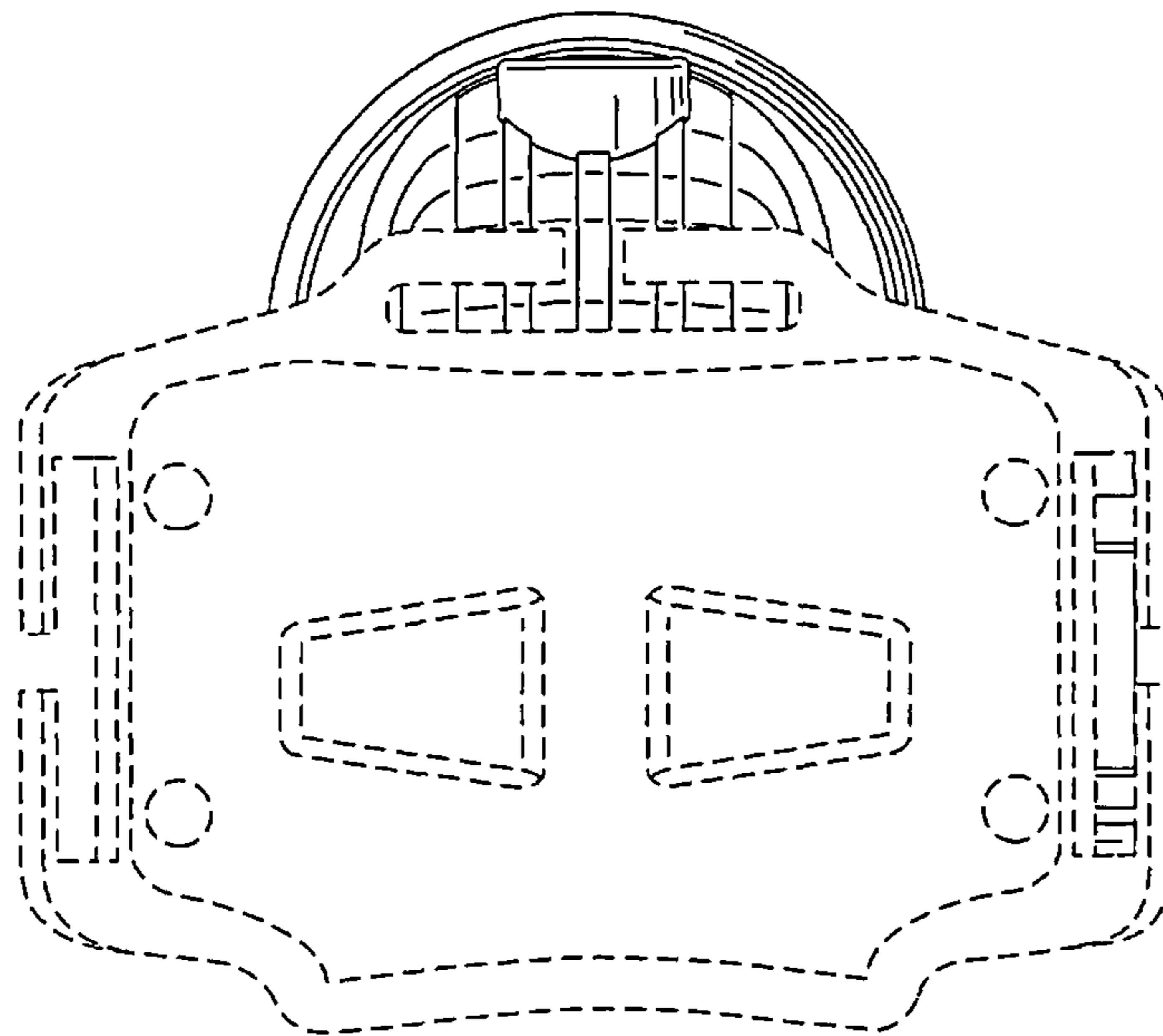


FIG. 6

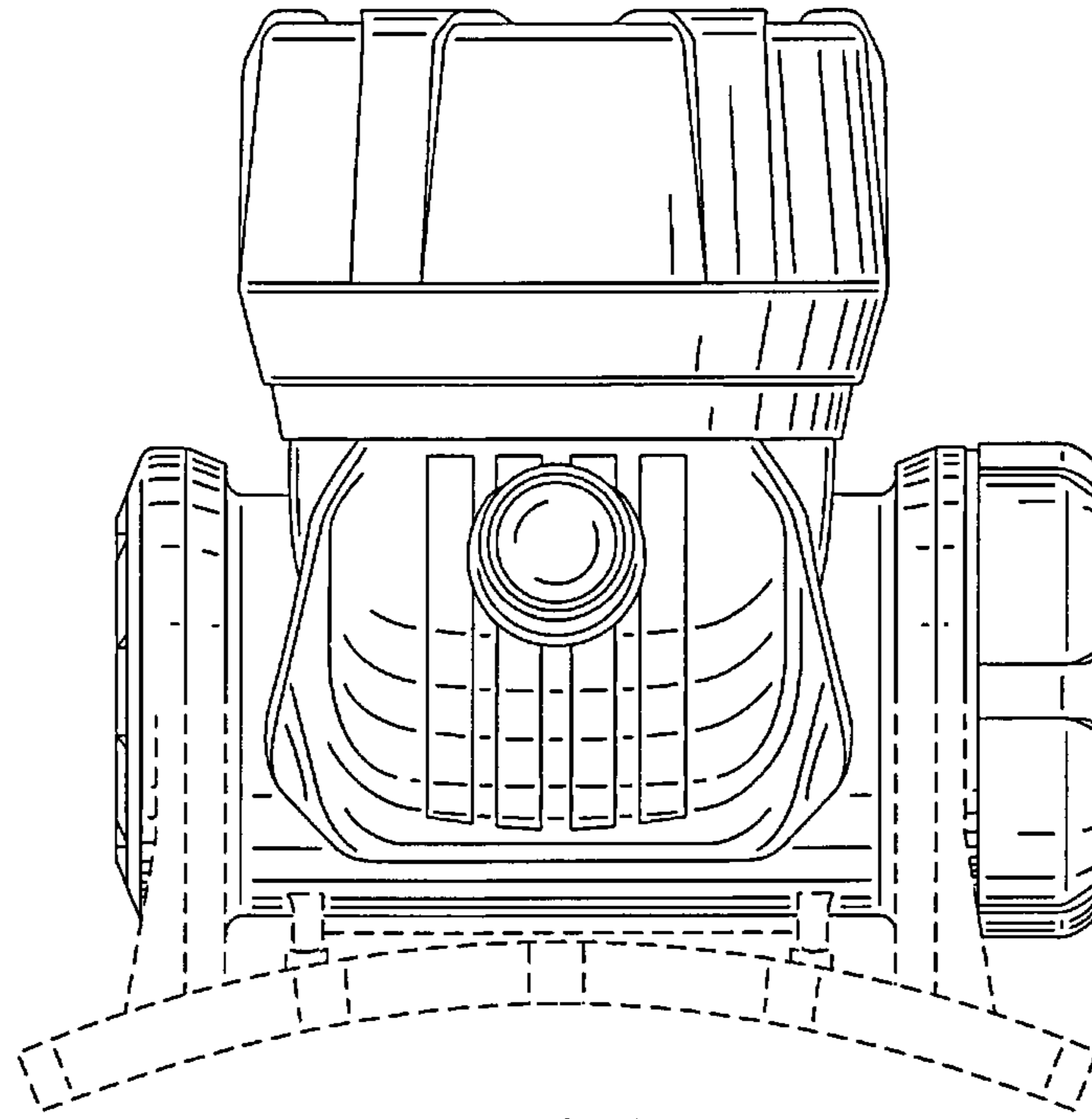


FIG. 7

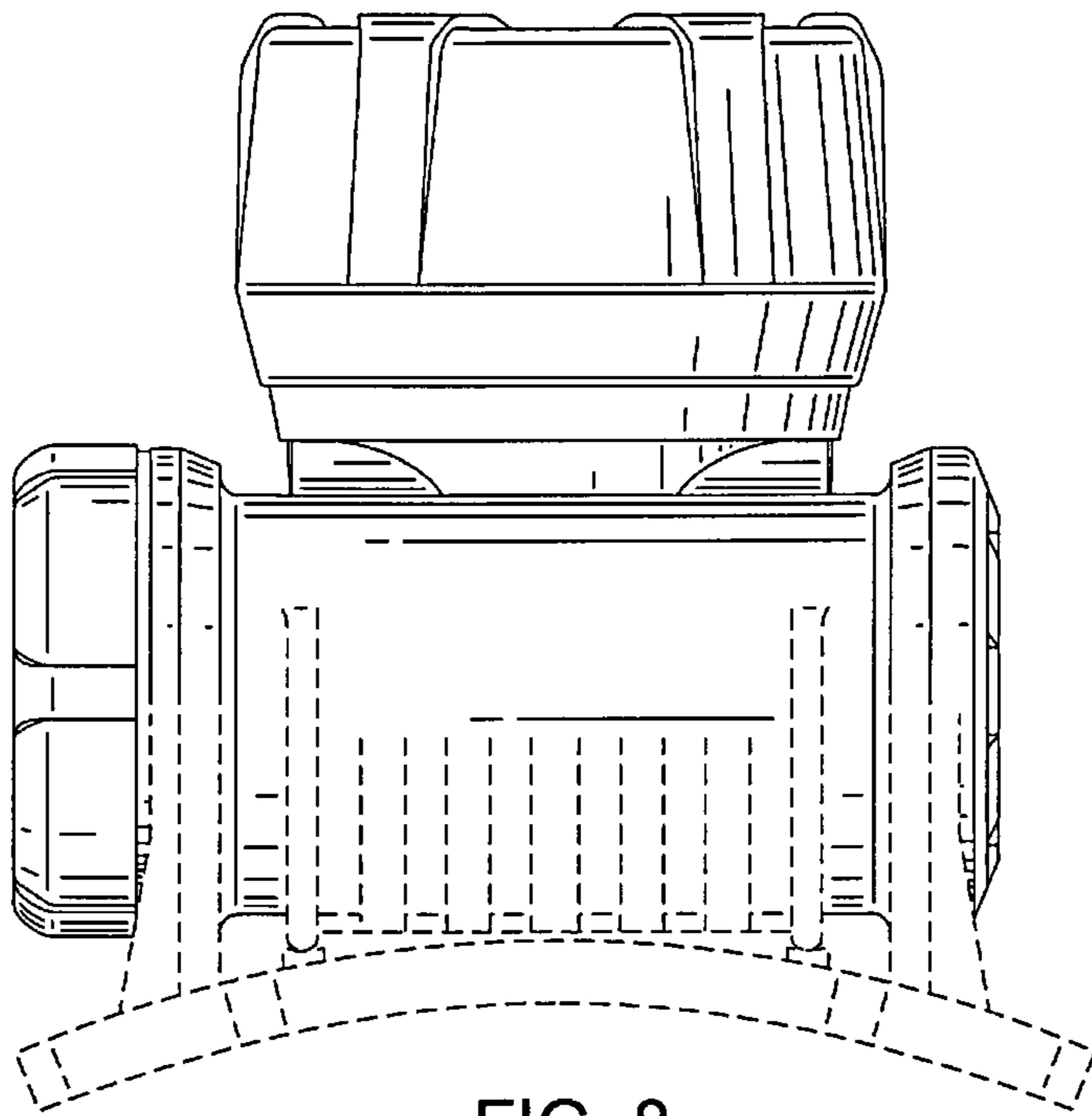


FIG. 8