



US00D733949S

(12) **United States Design Patent**
Liao et al.

(10) **Patent No.:** **US D733,949 S**
(45) **Date of Patent:** **** Jul. 7, 2015**

(54) **BRAKE LAMP**

(71) Applicants: **Su-Chang Liao**, Taichung (TW);
Di-Shun Liao, Taichung (TW)

(72) Inventors: **Su-Chang Liao**, Taichung (TW);
Di-Shun Liao, Taichung (TW)

(73) Assignee: **S-SUN ENTERPRISE CO., LTD.**,
Taichung (TW)

(**) Term: **14 Years**

(21) Appl. No.: **29/484,629**

(22) Filed: **Mar. 11, 2014**

(51) **LOC (10) Cl.** **26-06**

(52) **U.S. Cl.**
USPC **D26/28; D26/60**

(58) **Field of Classification Search**
USPC D26/28, 60-63; 362/473, 475, 476,
362/396, 399
CPC B62J 6/001; B62J 6/02; B62J 6/003;
F21S 4/00; F21V 21/00
See application file for complete search history.

(56) **References Cited**

U.S. PATENT DOCUMENTS

D301,753 S * 6/1989 Iacovelli D26/60
D347,485 S * 5/1994 Kira D26/67

D411,320 S * 6/1999 Sillanpaa D26/28
D523,573 S * 6/2006 Lee D26/28
D528,230 S * 9/2006 Nagano D26/28
D608,037 S * 1/2010 Lee D26/60
7,703,952 B2 * 4/2010 Yoon 362/396
D625,449 S * 10/2010 Rueping D26/60
D633,635 S * 3/2011 Poon D26/60
D685,510 S * 7/2013 Henry et al. D26/60
D697,244 S * 1/2014 McKechnie et al. D26/60
D710,043 S * 7/2014 Liao D26/28
8,827,485 B2 * 9/2014 Liao 362/191

* cited by examiner

Primary Examiner — Clare E Heflin

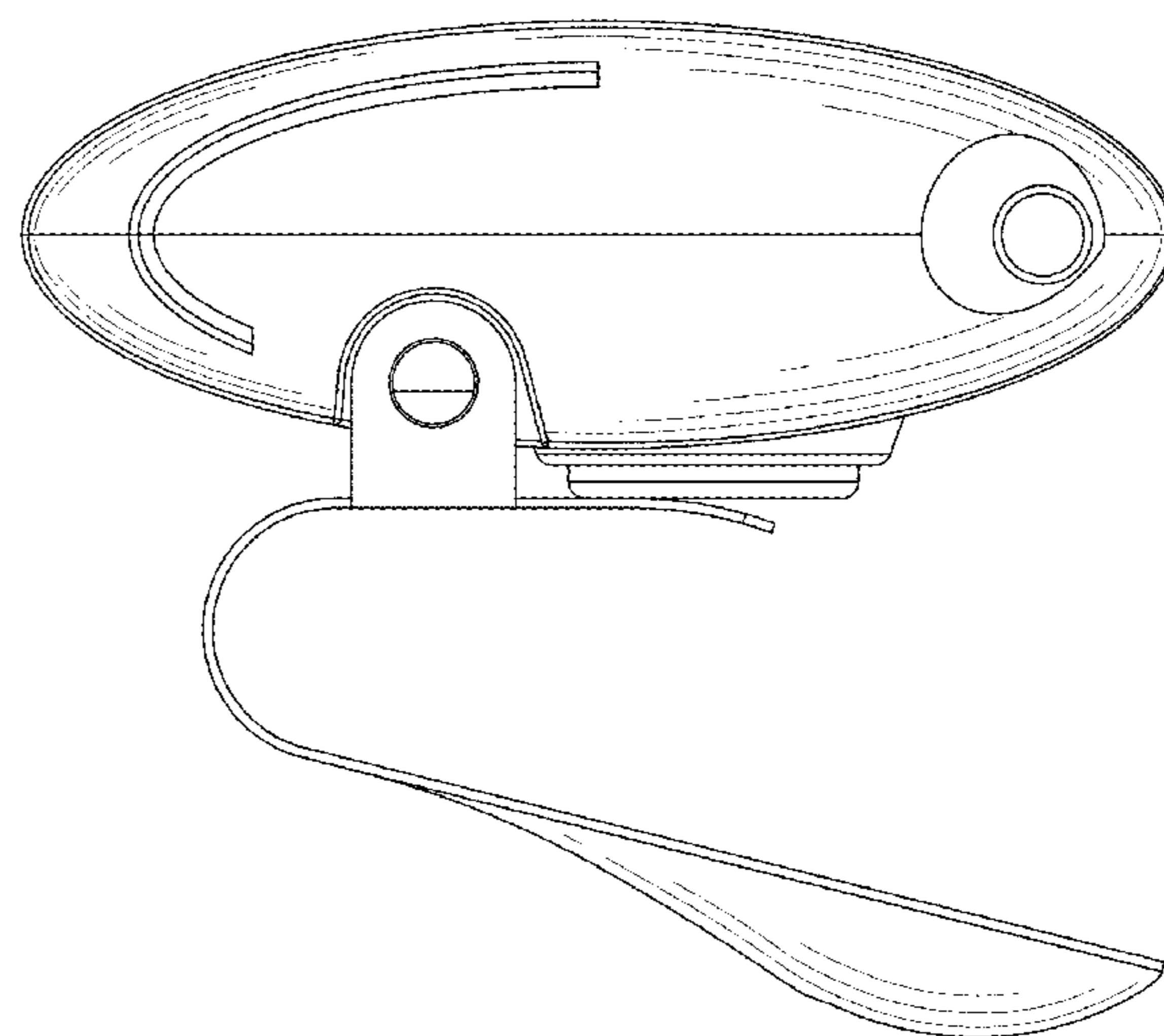
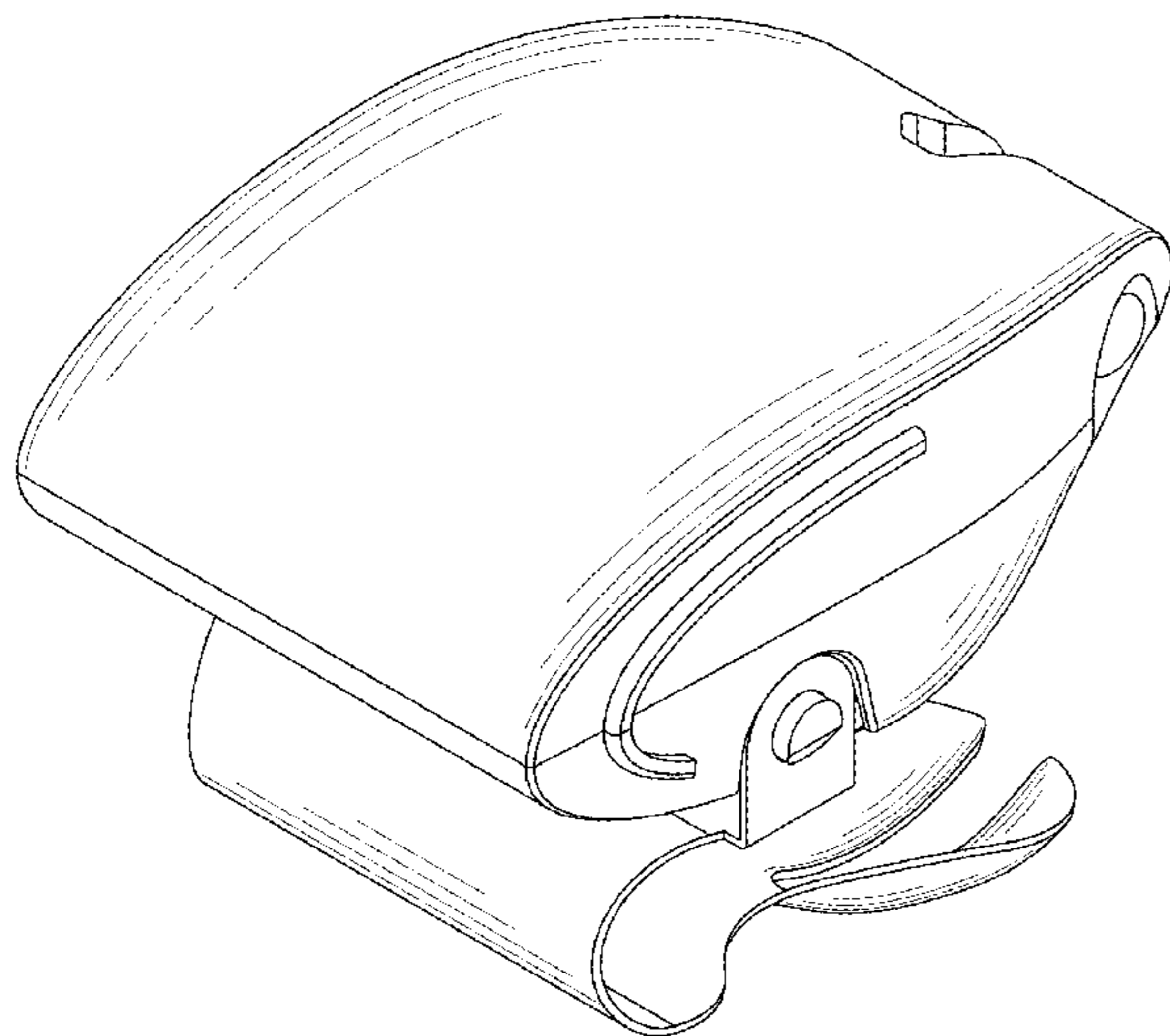
(57) **CLAIM**

The ornamental design for a brake lamp, as shown and described.

DESCRIPTION

FIG. 1 is a perspective view of a brake lamp illustrating our new design;
FIG. 2 is a front elevational view thereof;
FIG. 3 is a rear elevational view thereof;
FIG. 4 is a left side view thereof;
FIG. 5 is a right side view thereof;
FIG. 6 is a top plan view thereof;
FIG. 7 is a bottom plan view thereof; and,
FIG. 8 is another perspective view thereof.

1 Claim, 8 Drawing Sheets



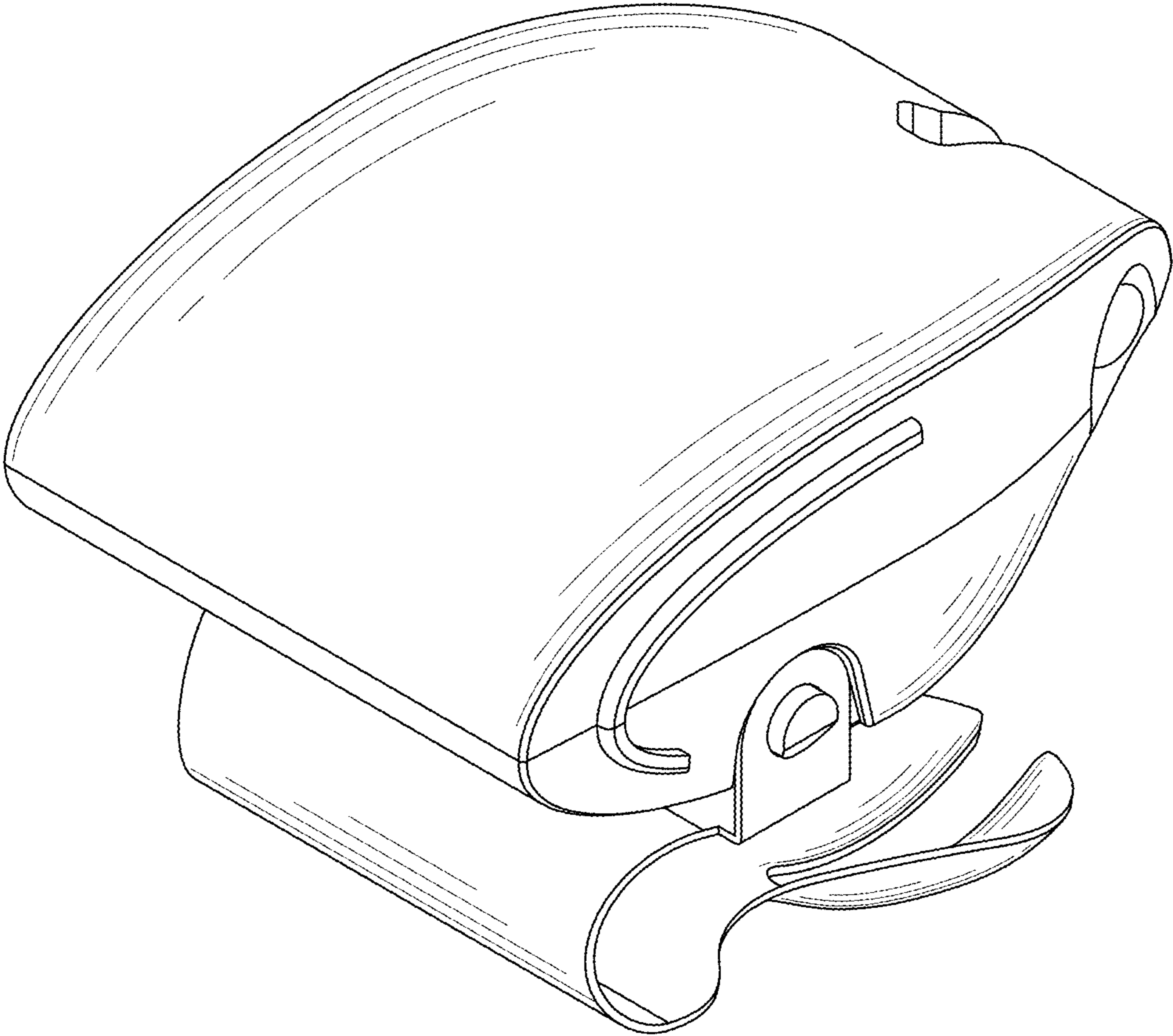


FIG.1

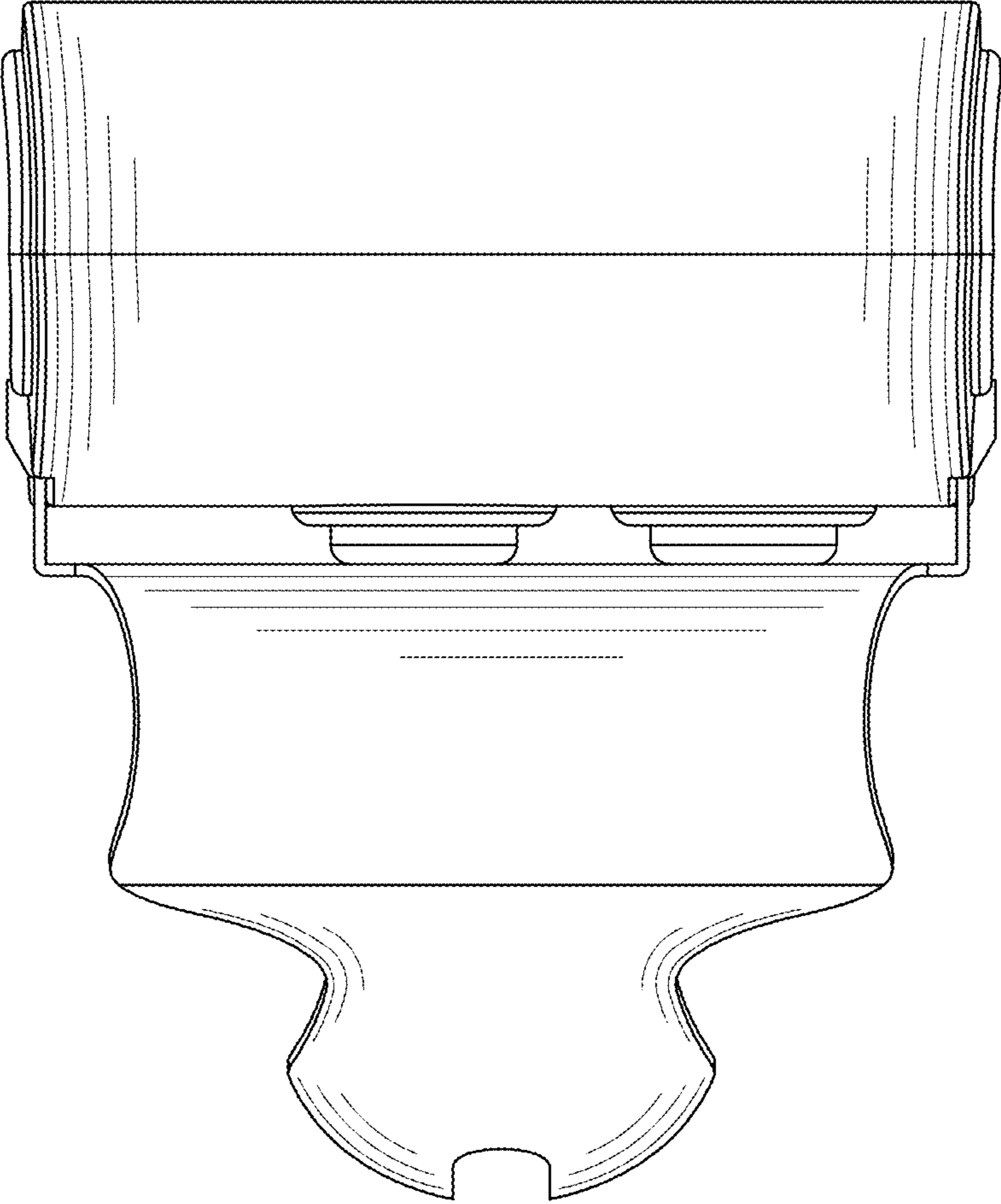


FIG.2

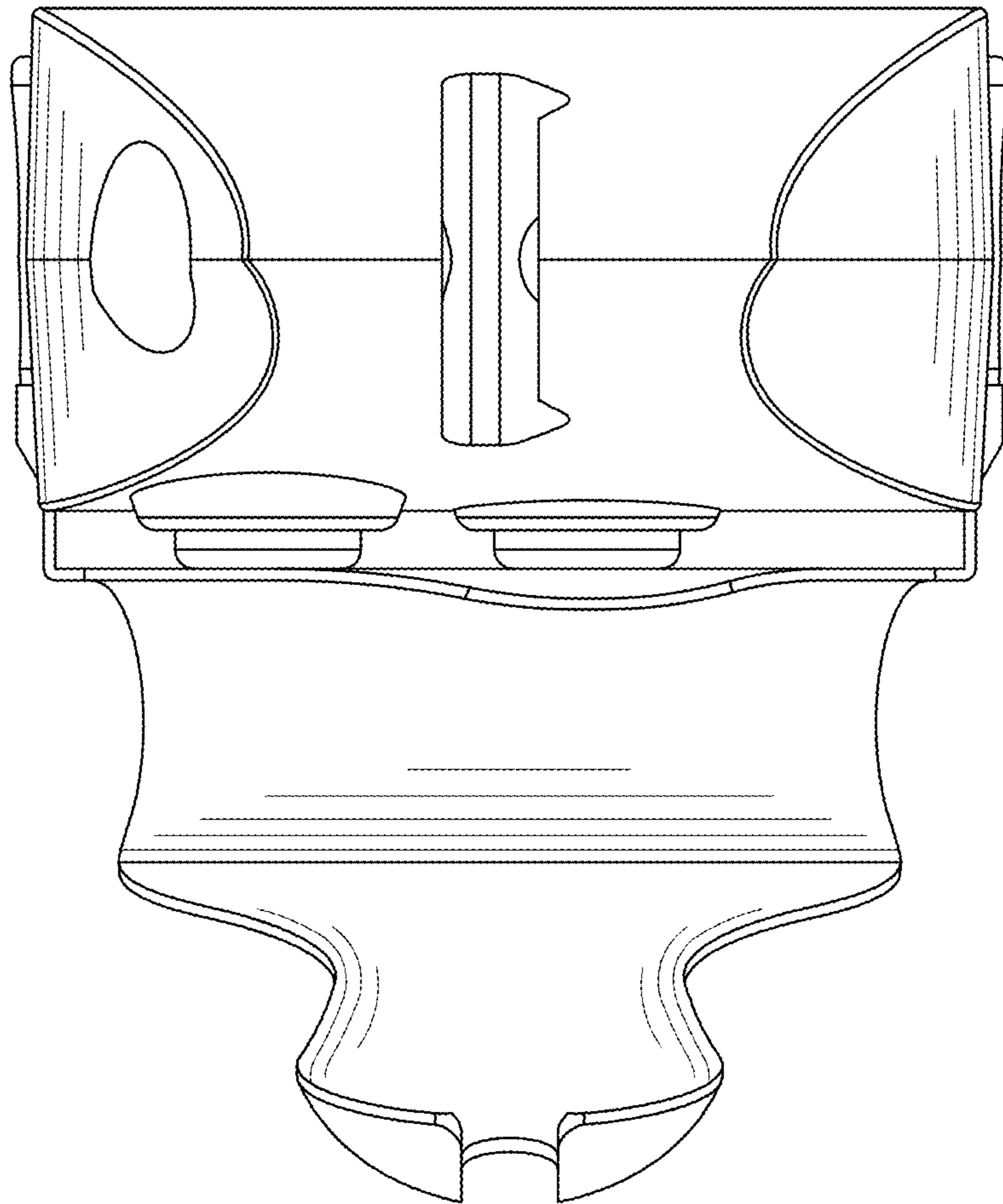


FIG.3

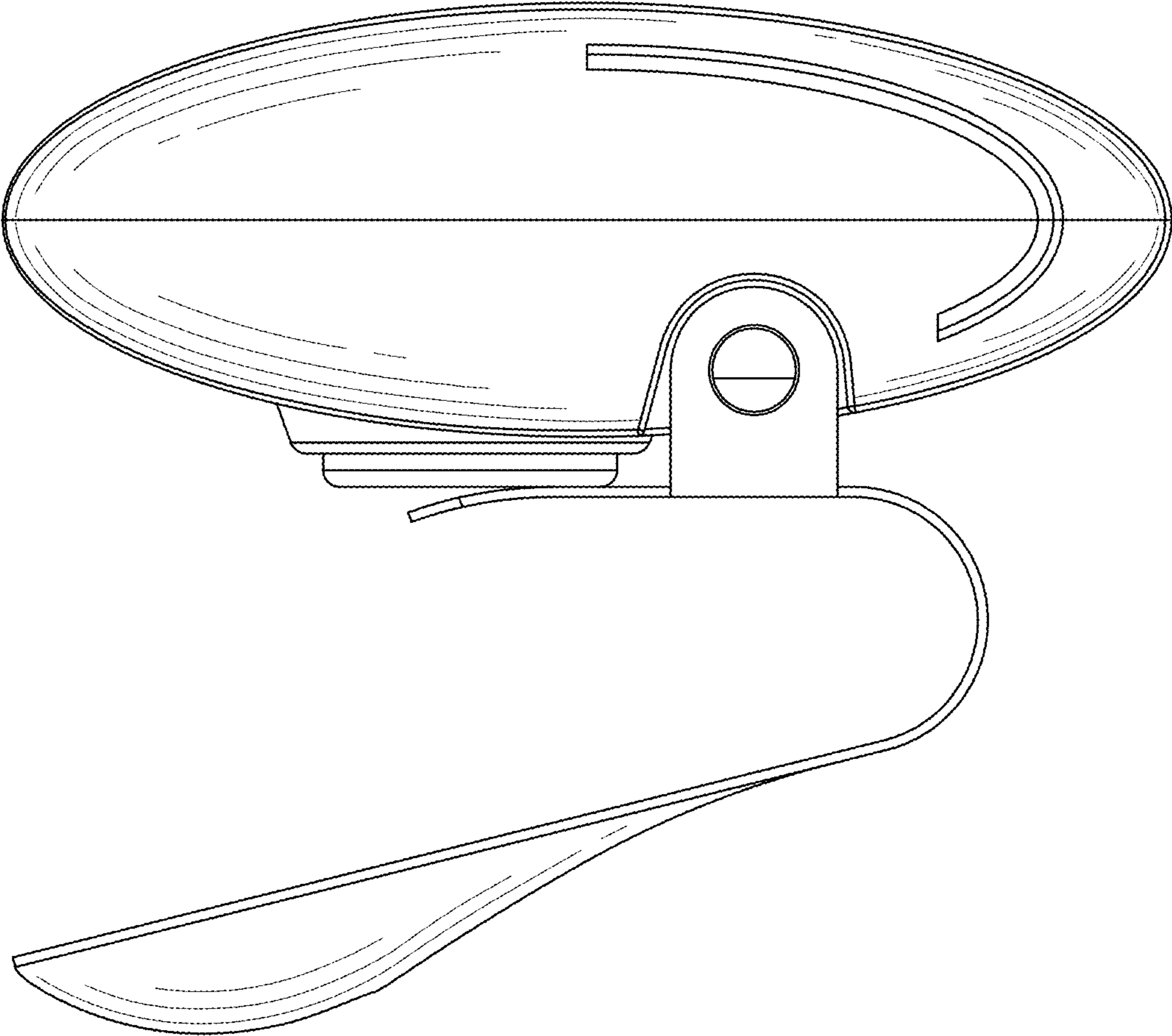


FIG. 4

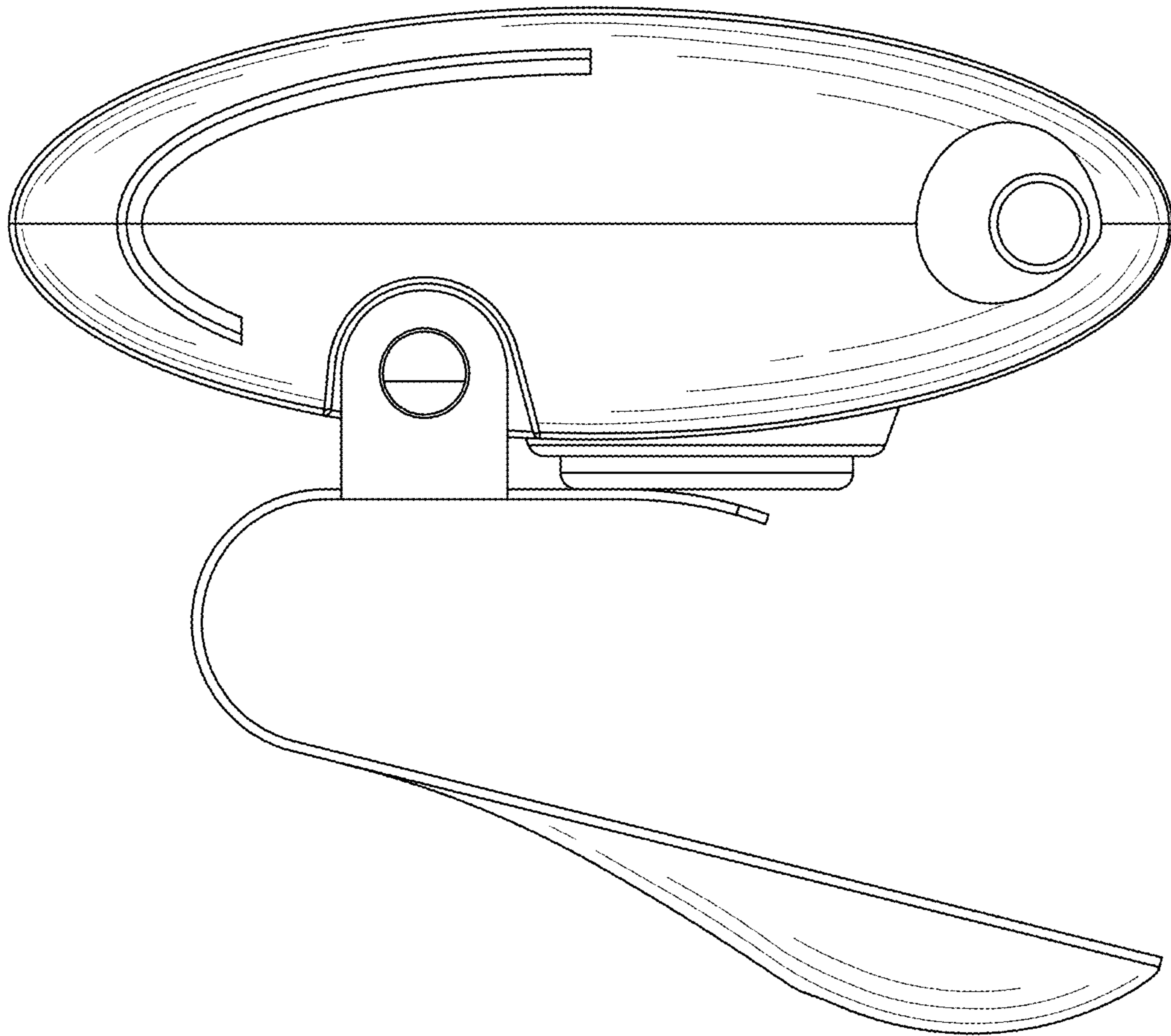


FIG.5

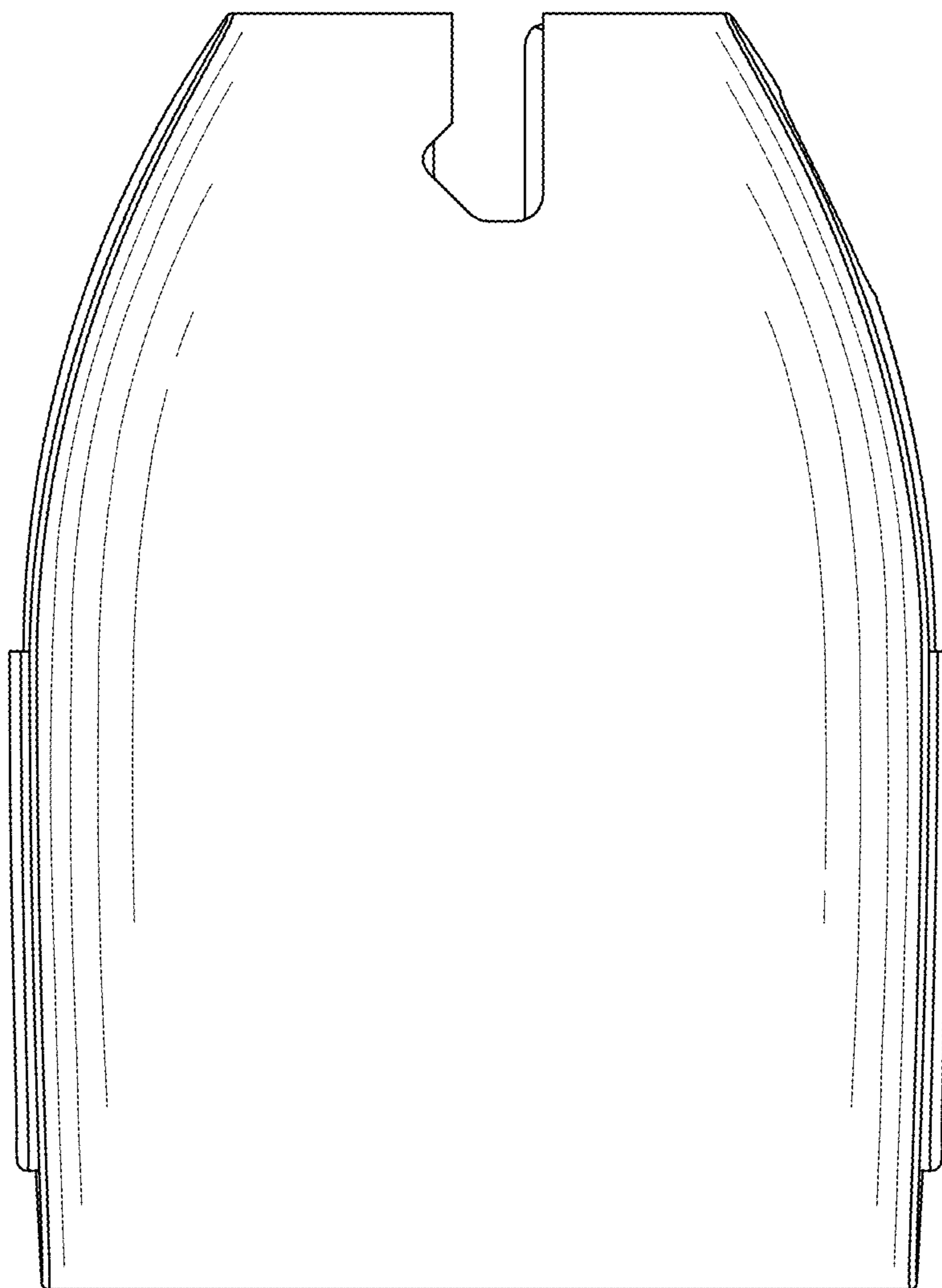


FIG.6

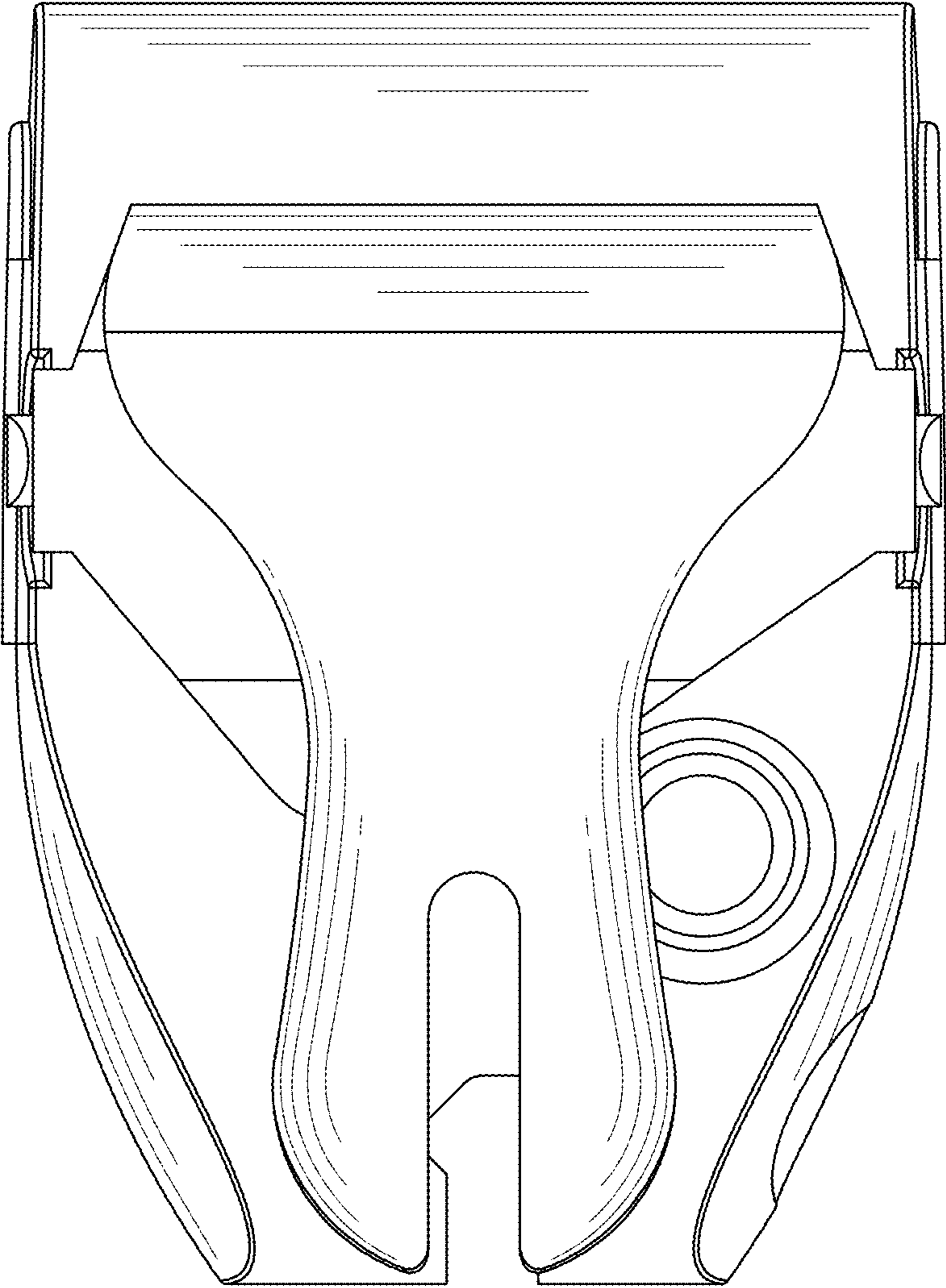


FIG.7

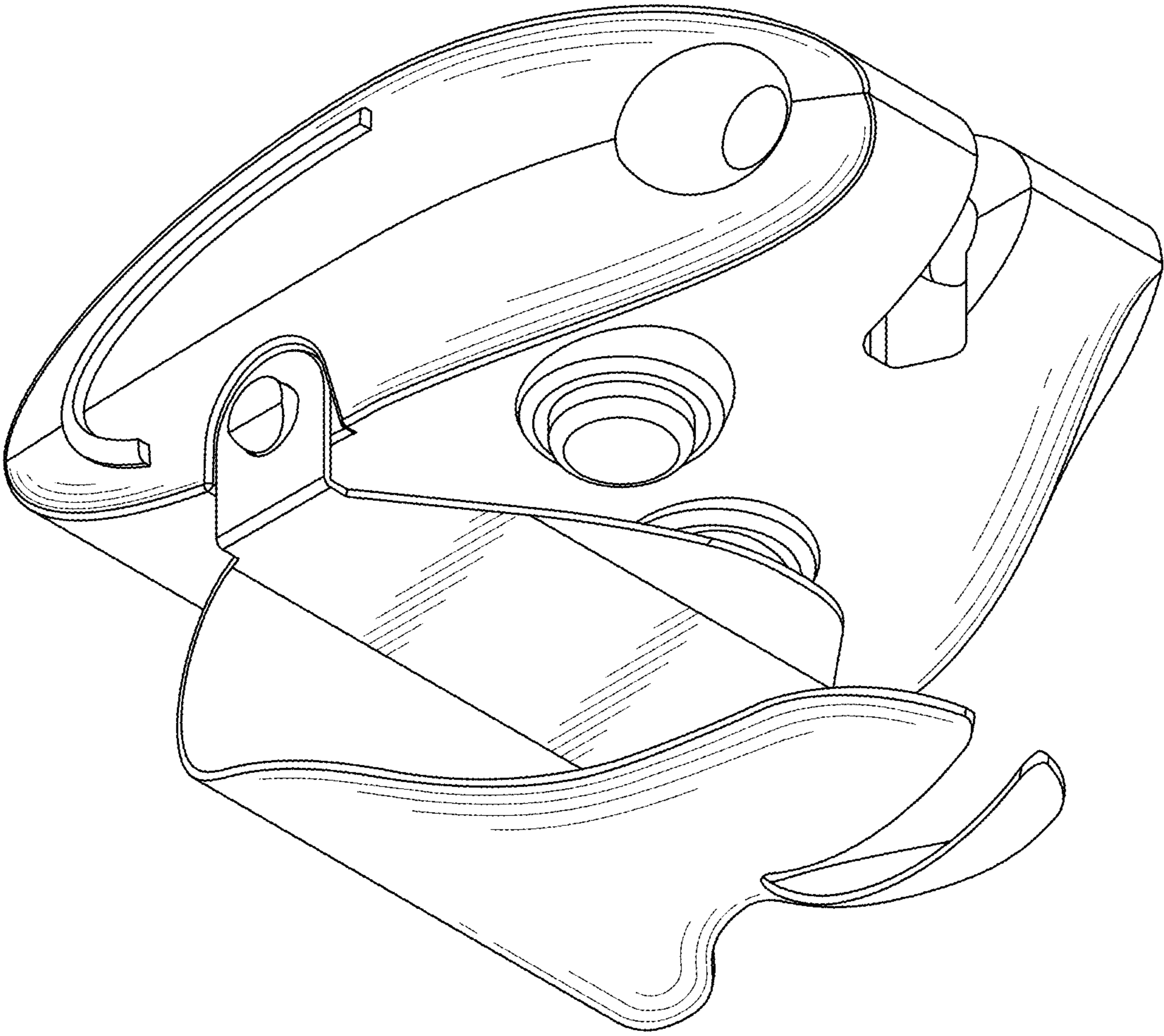


FIG.8