



US00D733948S

(12) **United States Design Patent**
Liao et al.

(10) **Patent No.:** **US D733,948 S**
(45) **Date of Patent:** **** Jul. 7, 2015**

(54) **BICYCLE LAMP**

(71) Applicants: **Su-Chang Liao**, Taichung (TW);
Di-Shun Liao, Taichung (TW)

(72) Inventors: **Su-Chang Liao**, Taichung (TW);
Di-Shun Liao, Taichung (TW)

(73) Assignee: **S-SUN ENTERPRISE CO., LTD.**,
Taichung (TW)

(**) Term: **14 Years**

(21) Appl. No.: **29/484,628**

(22) Filed: **Mar. 11, 2014**

(51) **LOC (10) Cl.** **26-06**

(52) **U.S. Cl.**
USPC **D26/28; D26/60**

(58) **Field of Classification Search**
USPC D26/28, 60-63; 362/473, 475, 476,
362/396, 399
CPC B62J 6/001; B62J 6/02; B62J 6/003;
F21S 4/00; F21V 21/00
See application file for complete search history.

(56) **References Cited**

U.S. PATENT DOCUMENTS

2,805,326	A *	9/1957	Schwartz	362/103
3,112,889	A *	12/1963	Marmo et al.	362/103
D279,223	S *	6/1985	Tanaka	D26/60
D324,577	S *	3/1992	Tsuyama	D26/28
D346,230	S *	4/1994	Ueda	D26/28

D382,661	S *	8/1997	Wong	D26/63
D428,171	S *	7/2000	Schultz	D26/28
D524,974	S *	7/2006	Zernov	D26/60
D609,378	S *	2/2010	Lee	D26/60
D646,818	S *	10/2011	Ueda et al.	D26/60
D667,581	S *	9/2012	Lee	D26/60
D678,562	S *	3/2013	Chan	D26/28

OTHER PUBLICATIONS

Cat Eye Sumo 2 Headlight found at competitivcyclist.com; visited Feb. 26, 2013.*

* cited by examiner

Primary Examiner — Clare E Heflin

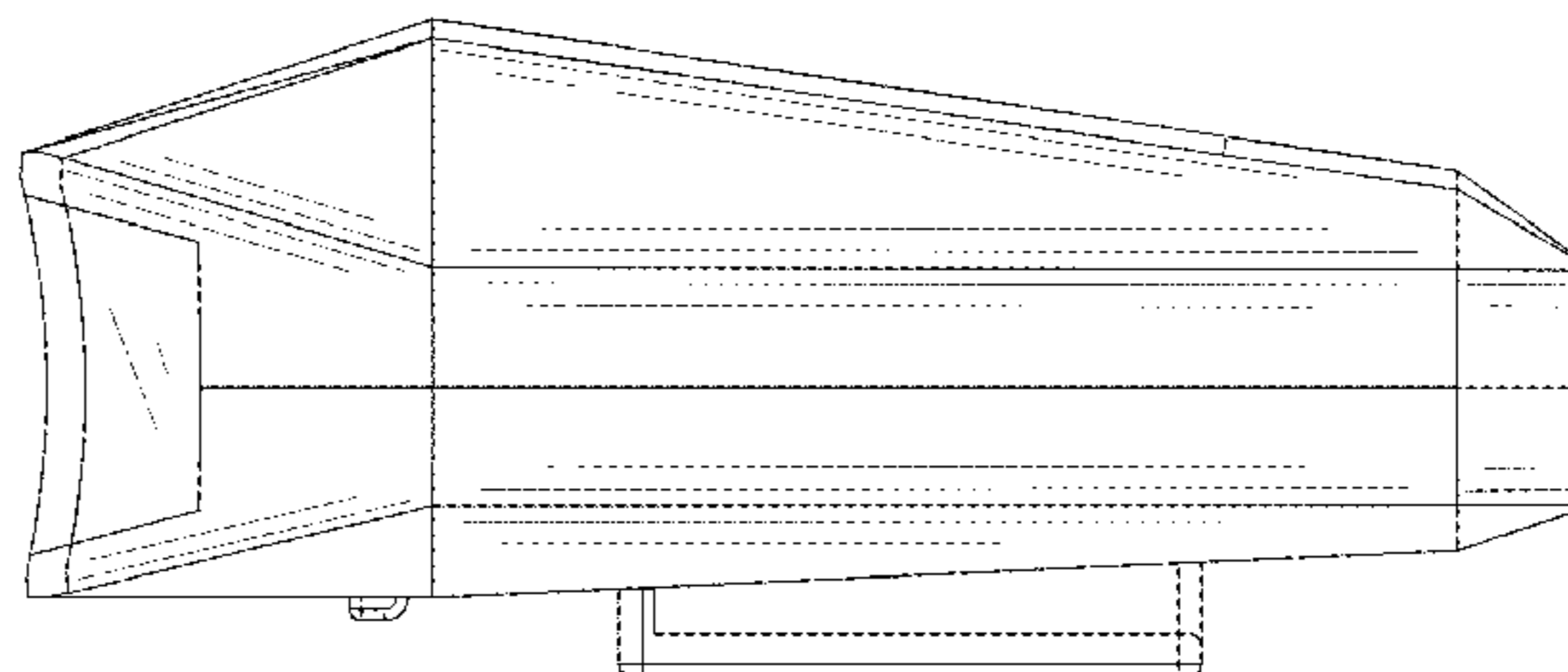
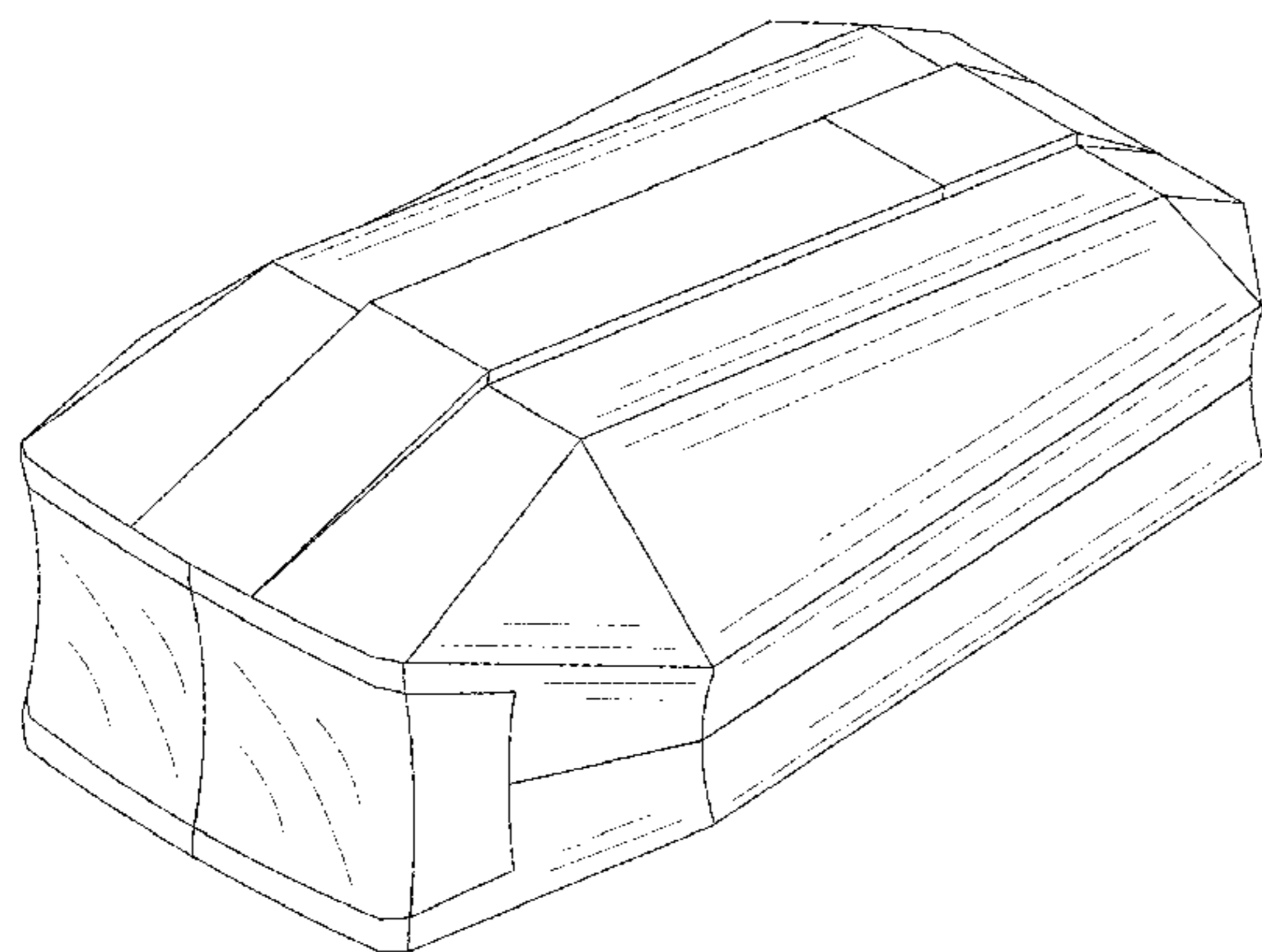
(57) **CLAIM**

The ornamental design for a bicycle lamp, as shown and described.

DESCRIPTION

FIG. 1 is a perspective view of a bicycle lamp showing our new design;
FIG. 2 is a front elevational view thereof;
FIG. 3 is a rear elevational view thereof;
FIG. 4 is a left side view thereof;
FIG. 5 is a right side view thereof;
FIG. 6 is a top plan view thereof;
FIG. 7 is a bottom plan view thereof; and,
FIG. 8 is another perspective view thereof.

1 Claim, 6 Drawing Sheets



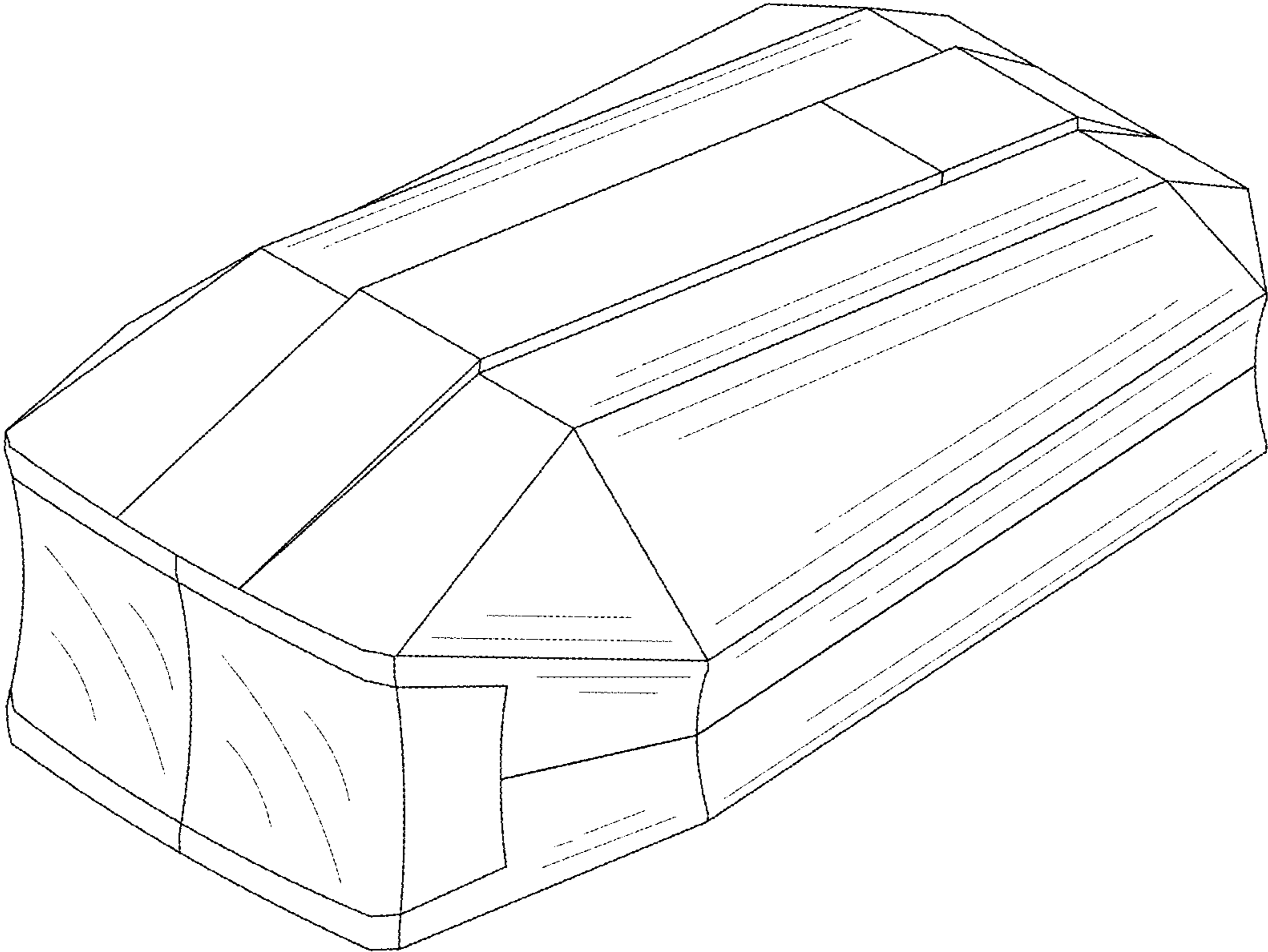


FIG.1

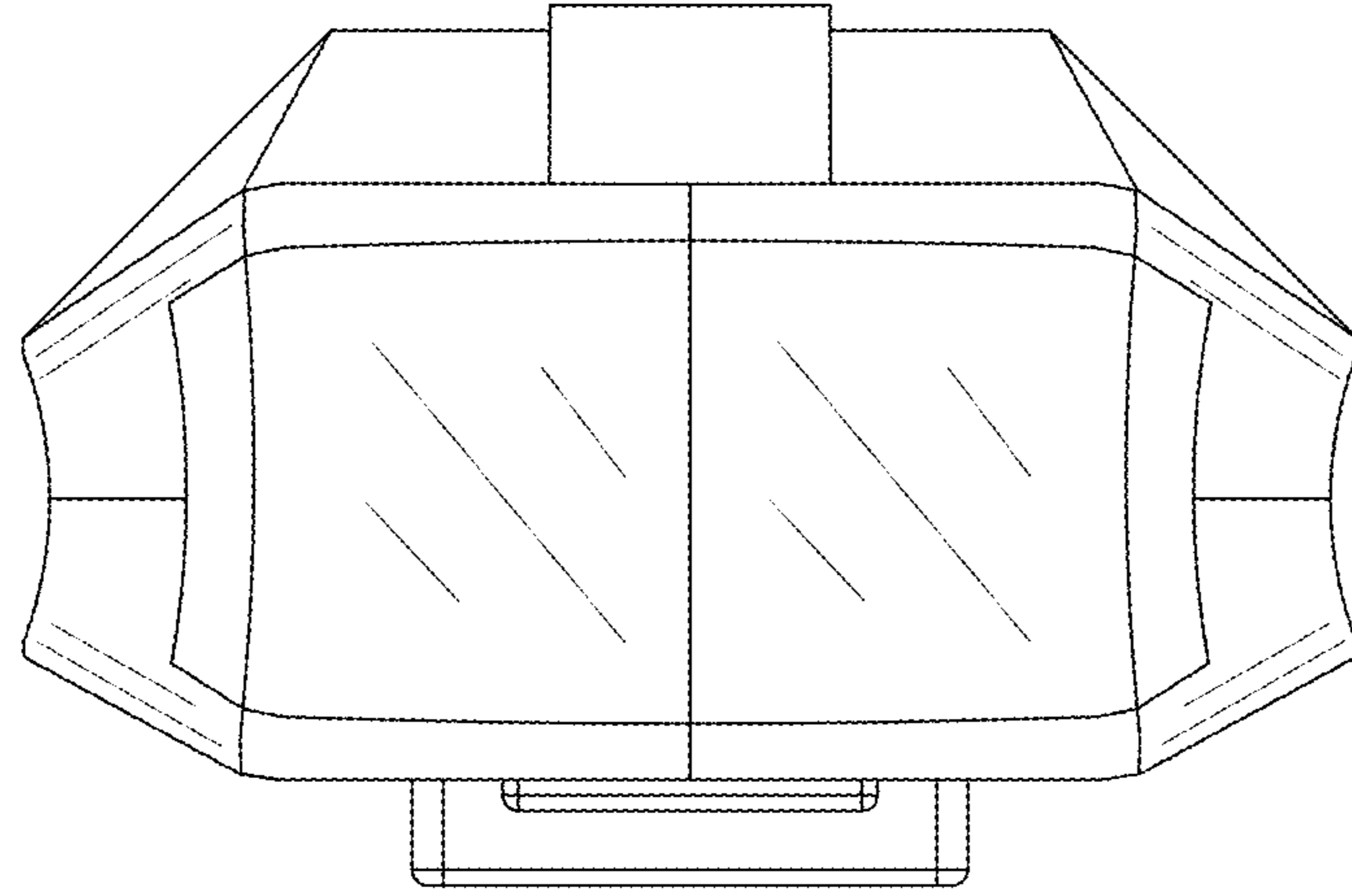


FIG. 2

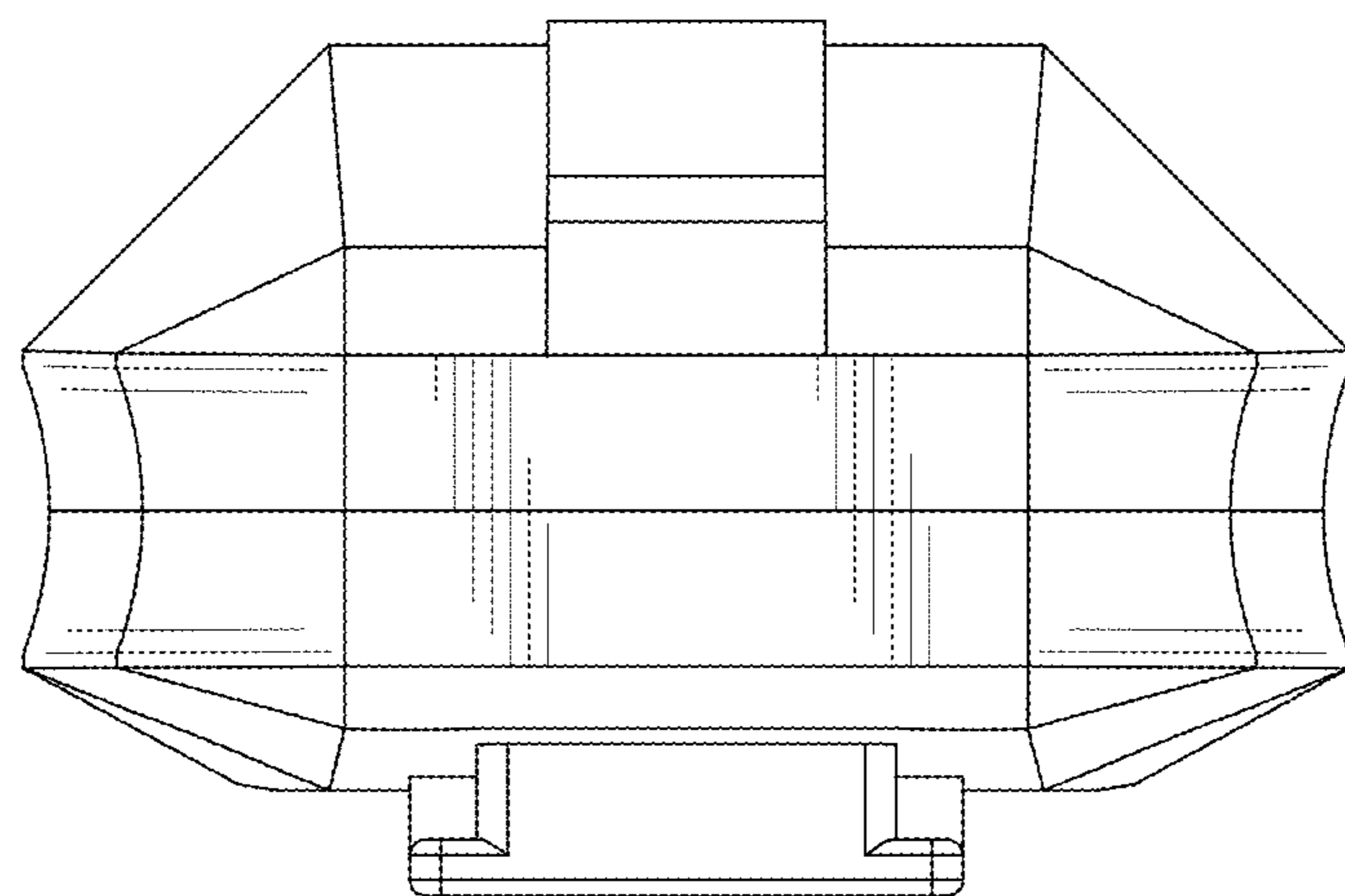


FIG. 3

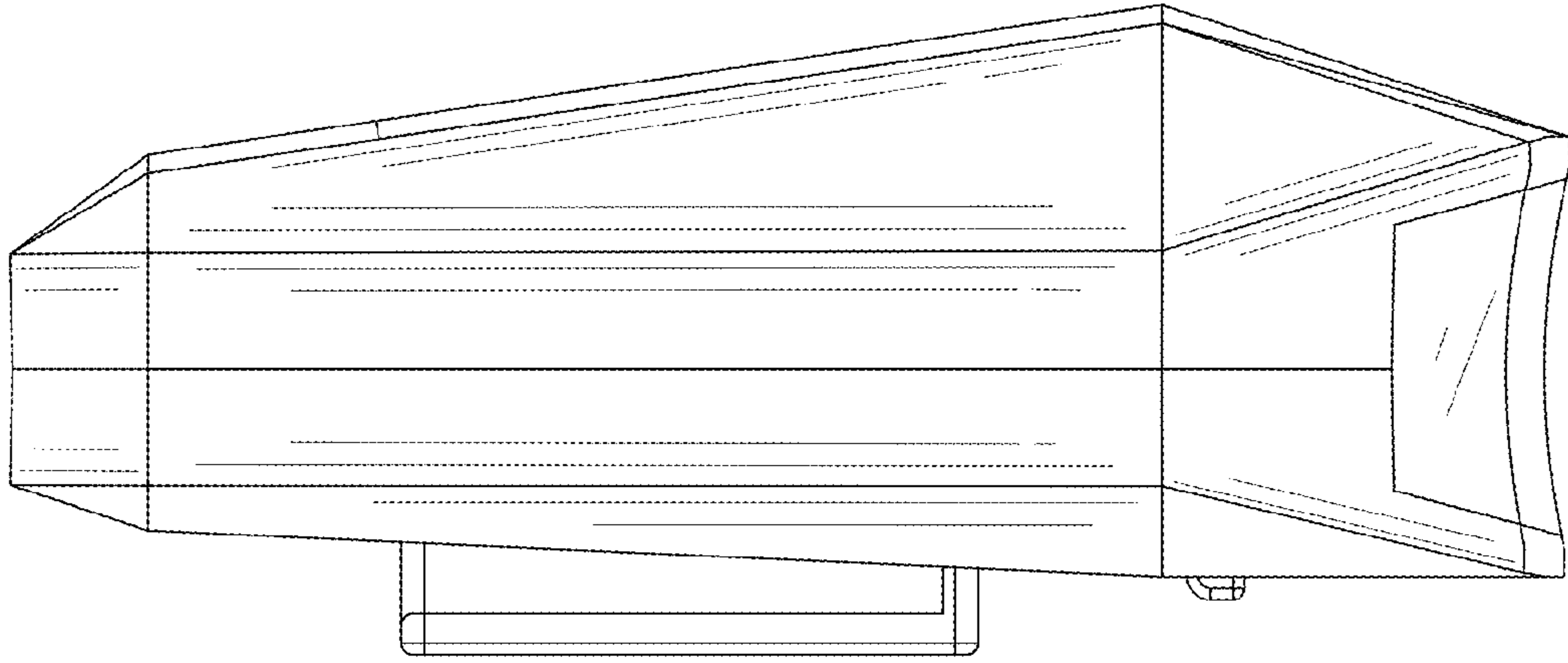


FIG. 4

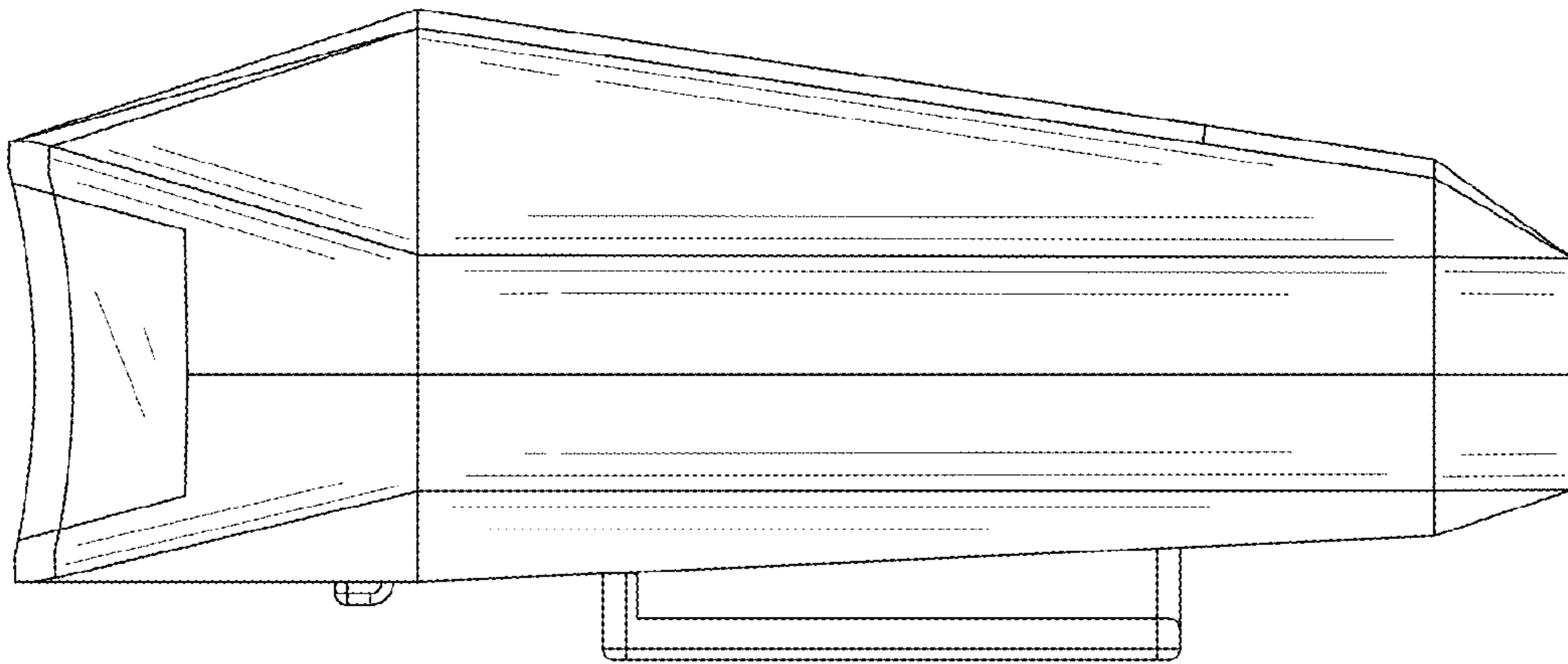


FIG. 5

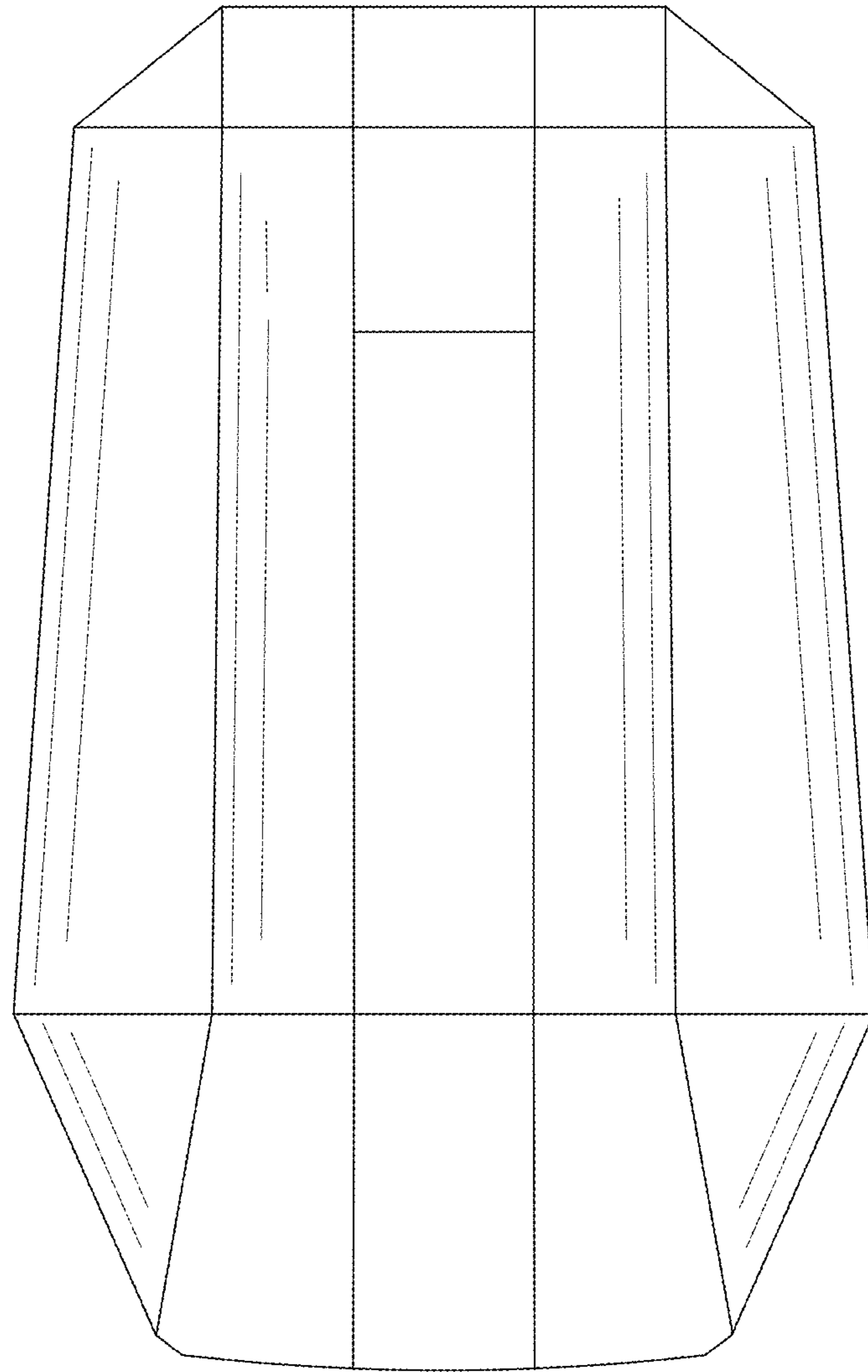


FIG.6

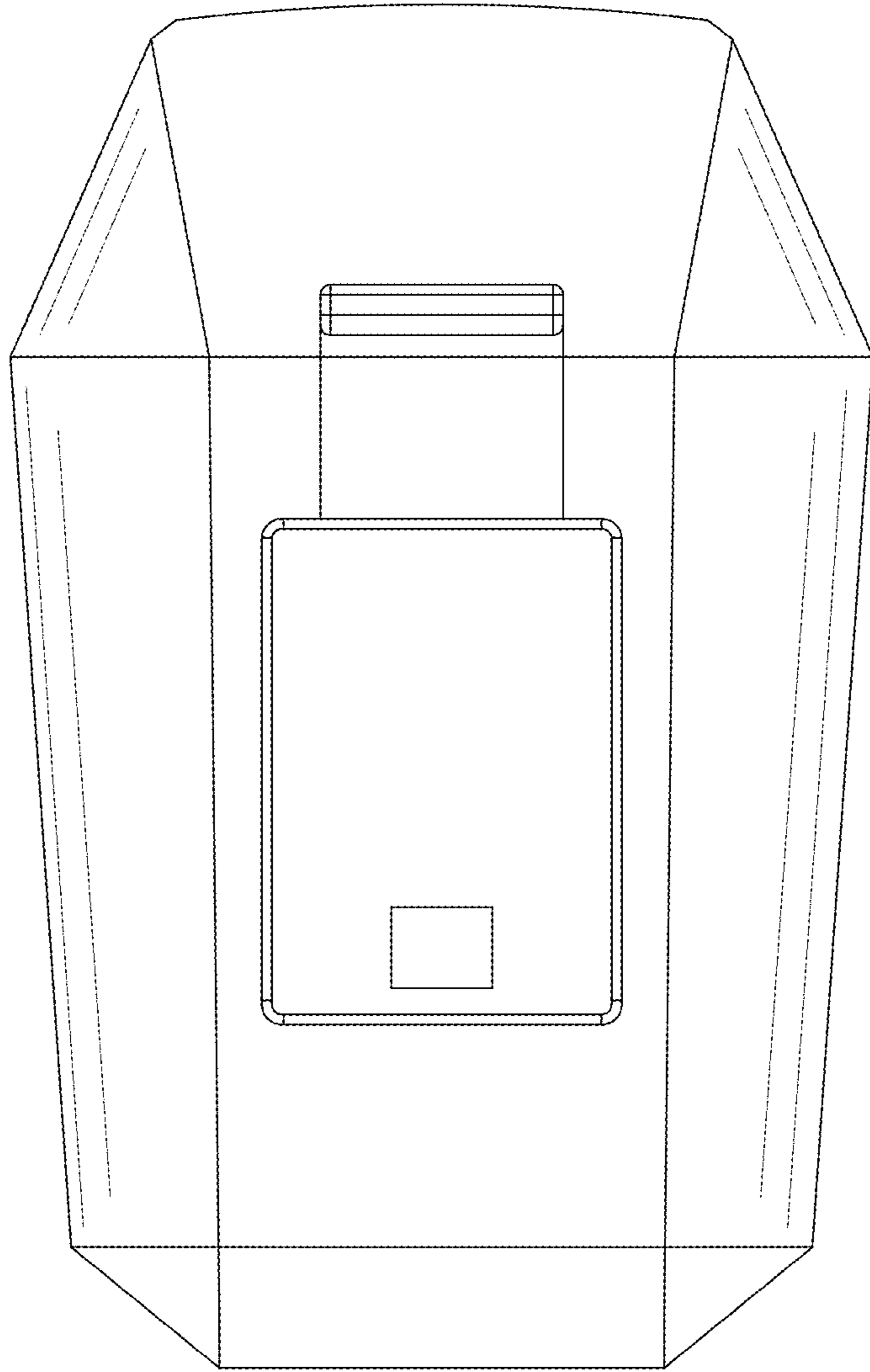


FIG.7

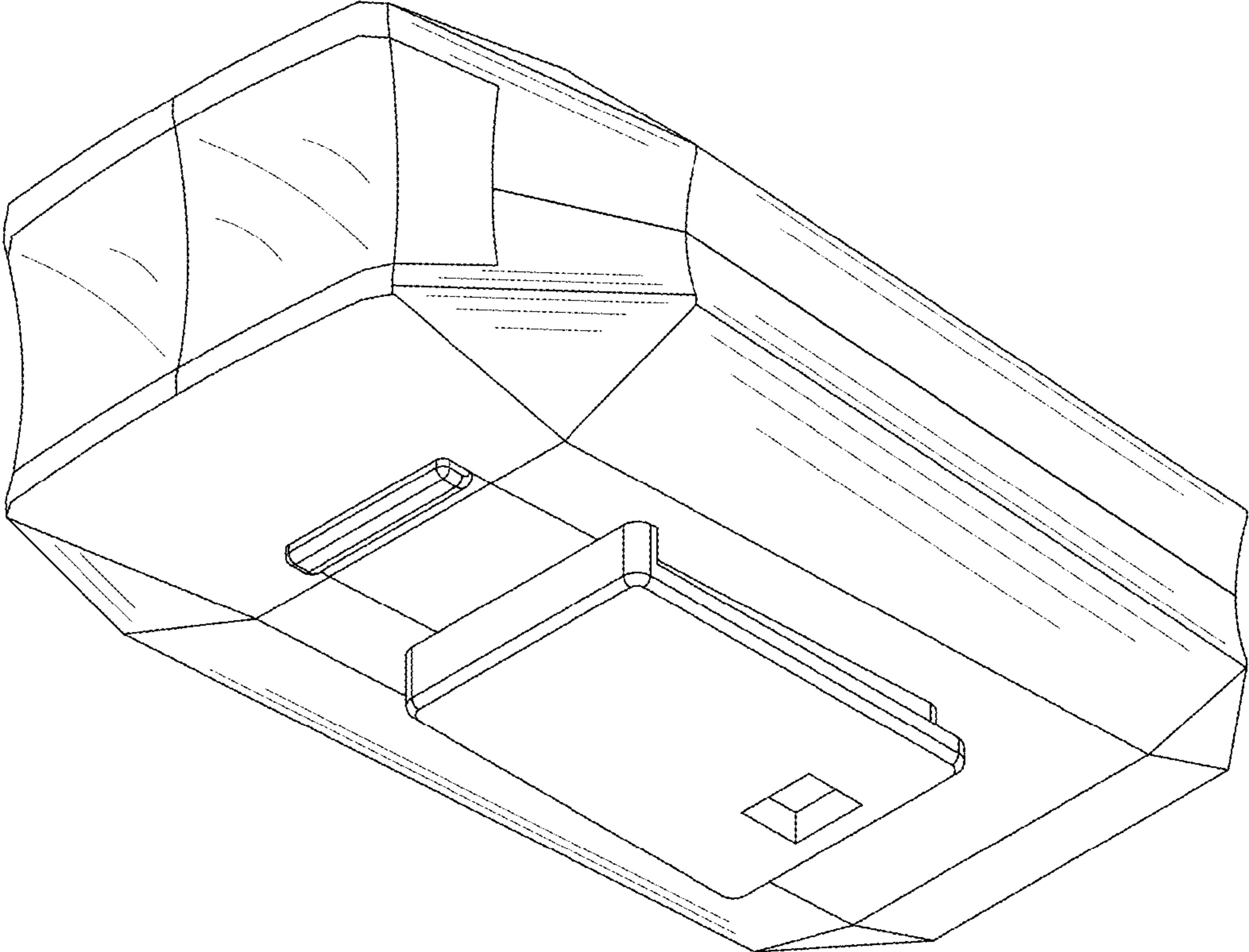


FIG.8