



US00D733946S

(12) **United States Design Patent**
Chen

(10) **Patent No.:** **US D733,946 S**
(45) **Date of Patent:** **** Jul. 7, 2015**

(54) **CLEARANCE SIDEMARKER AND IDENTIFICATION LIGHT**

(71) Applicant: **LUCIDITY ENTERPRISE CO., LTD.**,
Tainan (TW)

(72) Inventor: **Chun-Chih Chen**, Tainan (TW)

(73) Assignee: **LUCIDITY ENTERPRISE CO., LTD.**,
Annan District, Tainan (TW)

(**) Term: **14 Years**

(21) Appl. No.: **29/475,112**

(22) Filed: **Nov. 29, 2013**

(51) **LOC (10) Cl.** **26-06**

(52) **U.S. Cl.**
USPC **D26/28**

(58) **Field of Classification Search**
USPC D26/28-36, 63, 71; D10/111,
D10/114.1-114.5; 362/459, 464, 485-487,
362/196-200, 208, 362
CPC B60Q 1/2615; B60Q 1/32; B60Q 1/2607;
F21W 2101/02; F21S 48/1225; F21S 48/155;
F21S 48/2206; F21S 48/2212
See application file for complete search history.

(56) **References Cited**

U.S. PATENT DOCUMENTS

6,095,663 A * 8/2000 Pond et al. 362/485

6,149,288 A * 11/2000 Huang 362/487
D512,790 S * 12/2005 Handsaker et al. D26/28
D519,232 S * 4/2006 Columbro D26/28
D578,233 S * 10/2008 Chang D26/28
D589,836 S * 4/2009 Pokorny D10/114.1

* cited by examiner

Primary Examiner — Wan Laymon

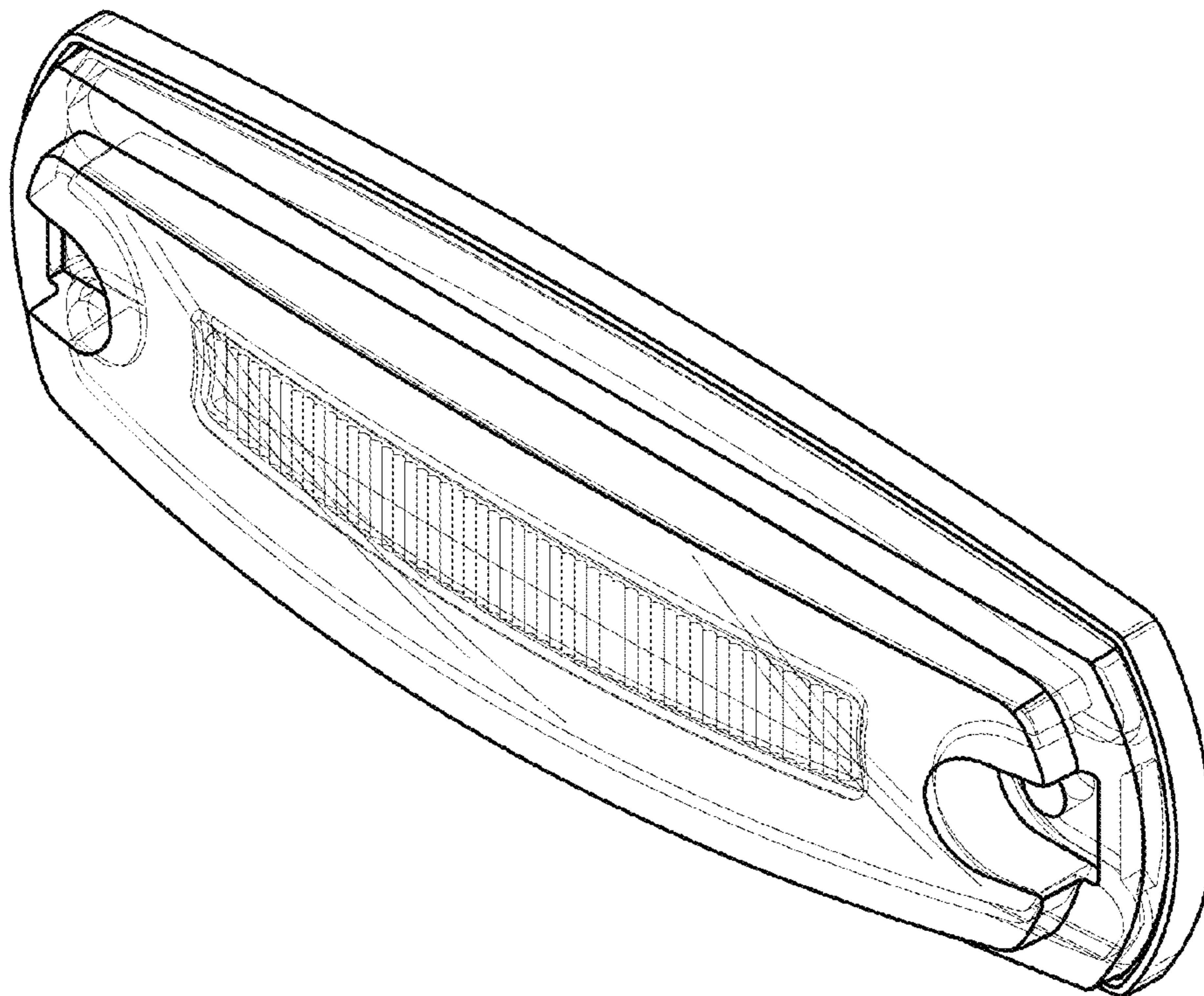
(57) **CLAIM**

The ornamental design for a clearance sidemarker and identification light, as shown and described.

DESCRIPTION

FIG. 1 is a perspective view of a clearance sidemarker and identification light showing my design;
FIG. 2 is a front elevational view thereof;
FIG. 3 is a rear elevational view thereof;
FIG. 4 is a left side elevational view thereof;
FIG. 5 is a right side elevational view thereof;
FIG. 6 is a top plan view thereof; and,
FIG. 7 is a bottom plan view thereof.
The ornamental design which is claimed is shown in solid lines in the drawings.

1 Claim, 5 Drawing Sheets



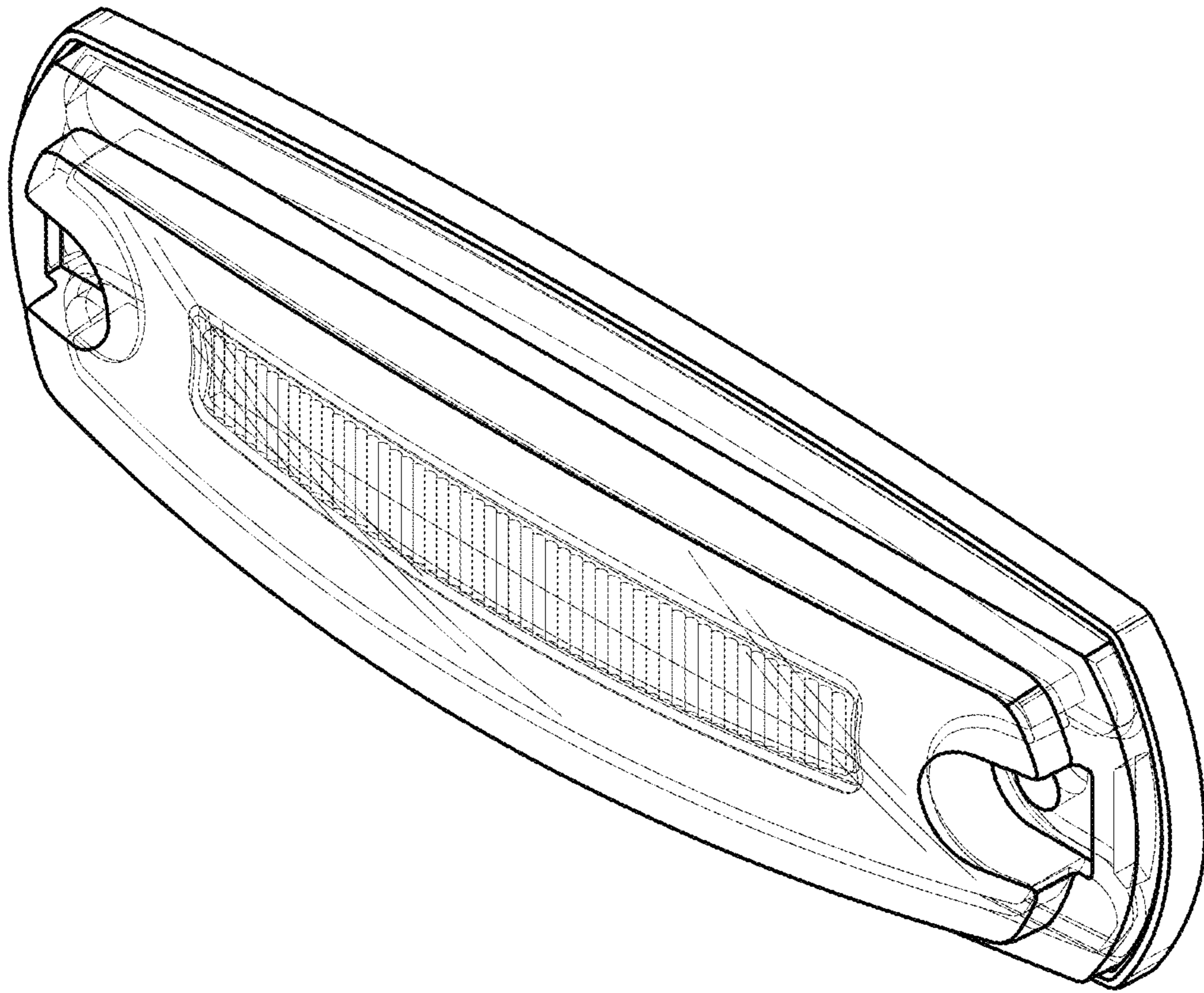


FIG.1

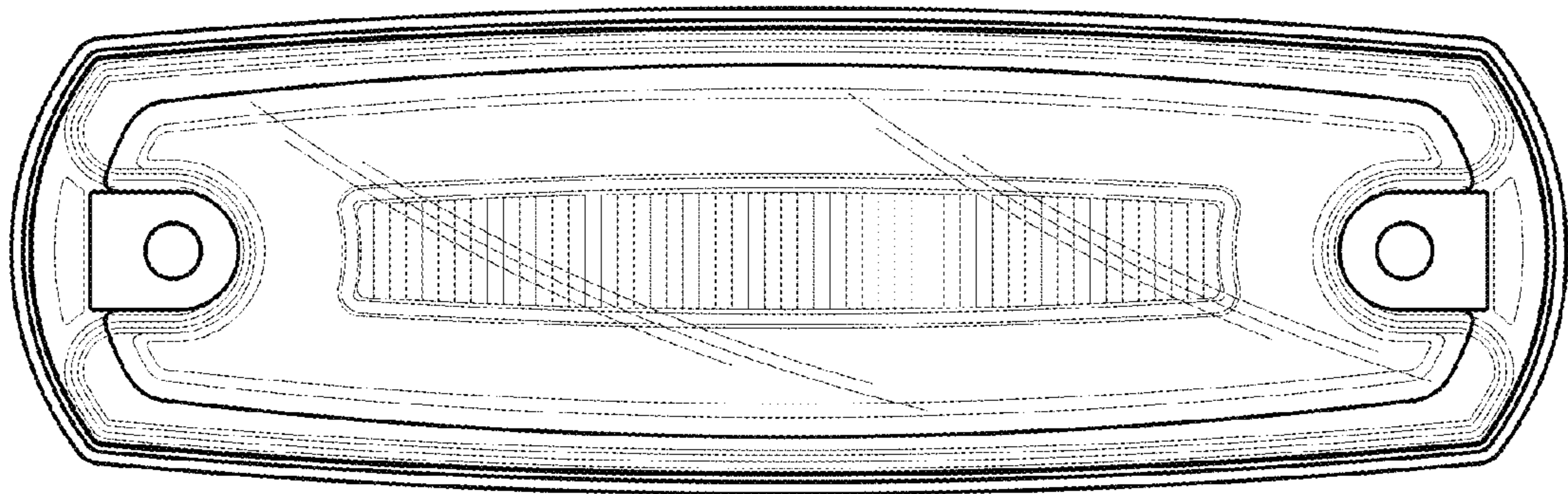


FIG.2

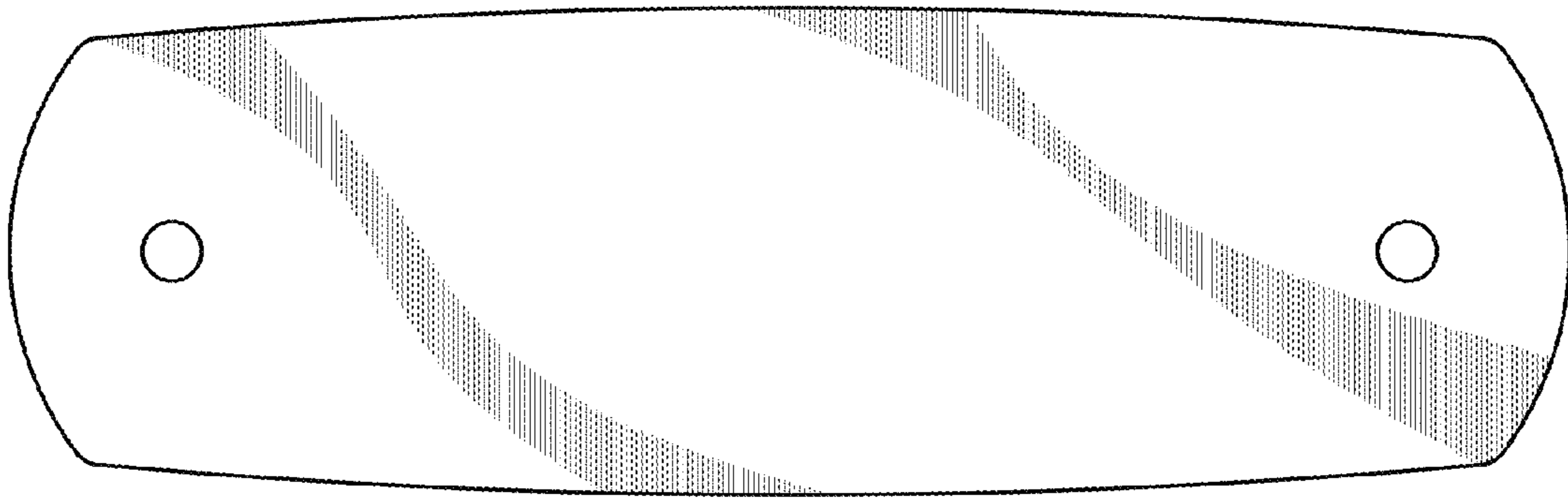


FIG.3

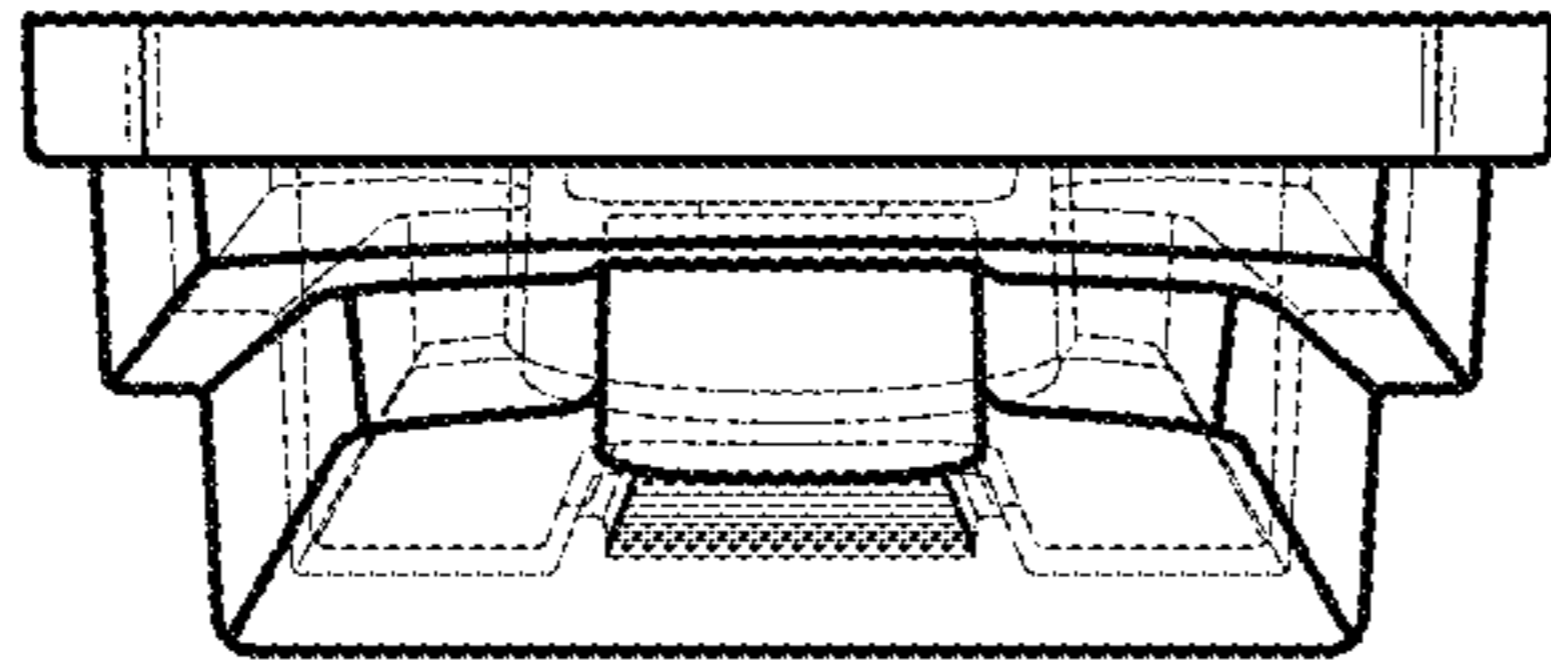


FIG. 5

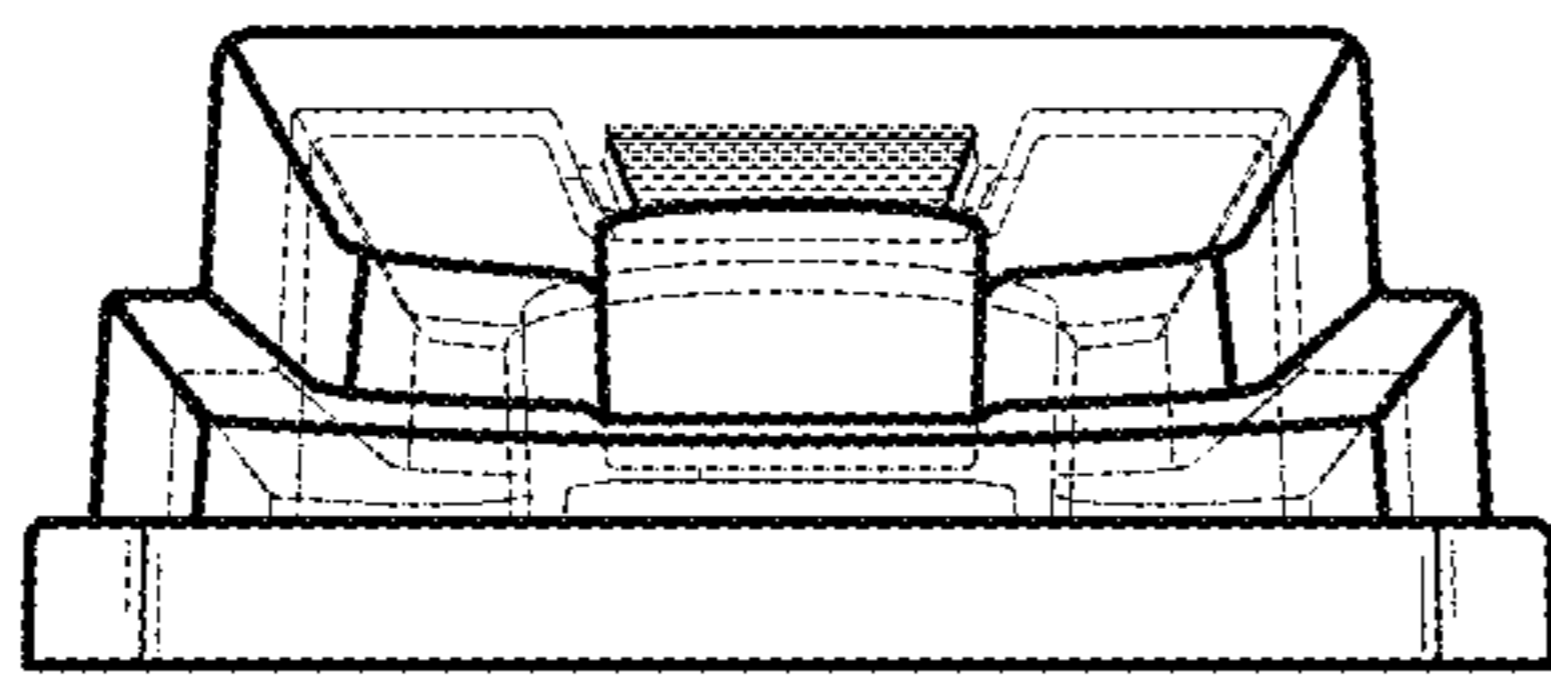


FIG. 4

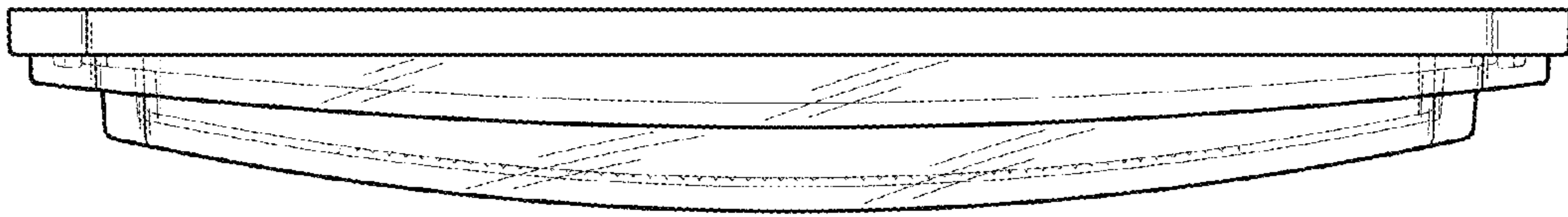


FIG. 6

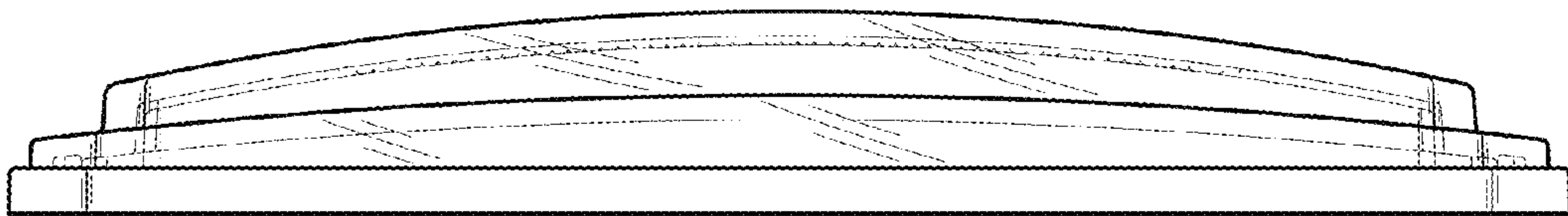


FIG. 7