



US00D733945S

(12) **United States Design Patent**
Kennemer et al.

(10) **Patent No.:** **US D733,945 S**
(45) **Date of Patent:** **** Jul. 7, 2015**

(54) **TAILGATE LIGHT**

(71) Applicant: **Tractor Supply Company**, Brentwood, TN (US)

(72) Inventors: **Brian Kennemer**, Chapel Hill, TN (US);
Ty Rager, Hendersonville, TN (US)

(73) Assignee: **Tractor Supply Company**, Brentwood, TN (US)

(**) Term: **14 Years**

(21) Appl. No.: **29/470,517**

(22) Filed: **Oct. 22, 2013**

(51) **LOC (10) Cl.** **26-06**

(52) **U.S. Cl.**
USPC **D26/28**

(58) **Field of Classification Search**
USPC D26/28-36; D6/663, 691; 362/362,
362/326, 459, 478, 485-487, 371, 249.01,
362/249.07

CPC B62J 6/04; B62J 7/04; B60Q 1/30;
B60Q 1/305; B60Q 1/2692; B60Q 7/02;
B60R 5/041; F21V 21/14; F21V 21/145

See application file for complete search history.

(56) **References Cited**

U.S. PATENT DOCUMENTS

4,745,525	A	5/1988	Sheehy	
D313,862	S *	1/1991	Gaukler	D26/28
5,144,538	A *	9/1992	Harris	362/485
5,795,051	A	8/1998	Galanski	
6,238,068	B1	5/2001	Farmer, Jr.	
6,799,873	B2	10/2004	Fox	

D500,153	S *	12/2004	Stephens et al.	D26/28
D594,146	S *	6/2009	Chen	D26/28
7,834,750	B1	11/2010	Hertz et al.	
8,552,852	B1 *	10/2013	Hertz et al.	362/485
D711,564	S *	8/2014	Chou et al.	D26/28
2005/0146888	A1	7/2005	Metcalf	

OTHER PUBLICATIONS

Exhibit A: Website printout from archive.org for "Pacer Outback F4 Rear LED Tailgate Light Bars" (1 page) (2008).

Exhibit B: website printout from archive.org for "Plasmaglow FireStorm Scanning LED Tailgate Light Bars" (1 page) (2008).

Co-pending U.S. Appl. No. 13/828,356, filed Mar. 14, 2013, cited in the interest of complete disclosure but not considered to be prior art.

* cited by examiner

Primary Examiner — Wan Laymon

(74) *Attorney, Agent, or Firm* — Lucian Wayne Beavers;
Patterson Intellectual Property Law, PC

(57) **CLAIM**

What is claimed is the ornamental design for a tailgate light, as shown and described.

DESCRIPTION

FIG. 1 is a right front upper perspective view of the tailgate light.

FIG. 2 is a left rear bottom perspective of the tailgate light of FIG. 1.

FIG. 3 is a top view of the tailgate light of FIG. 1.

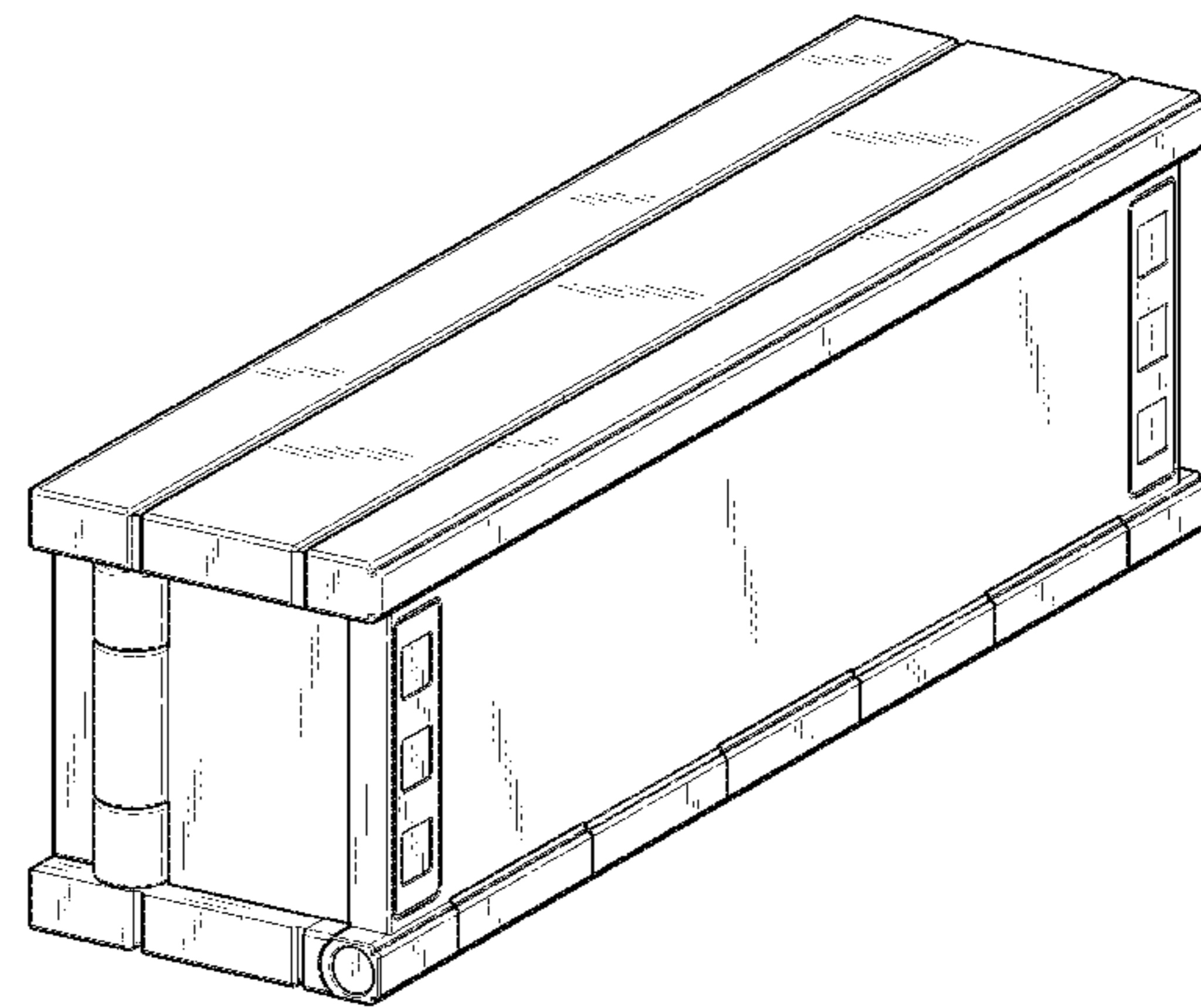
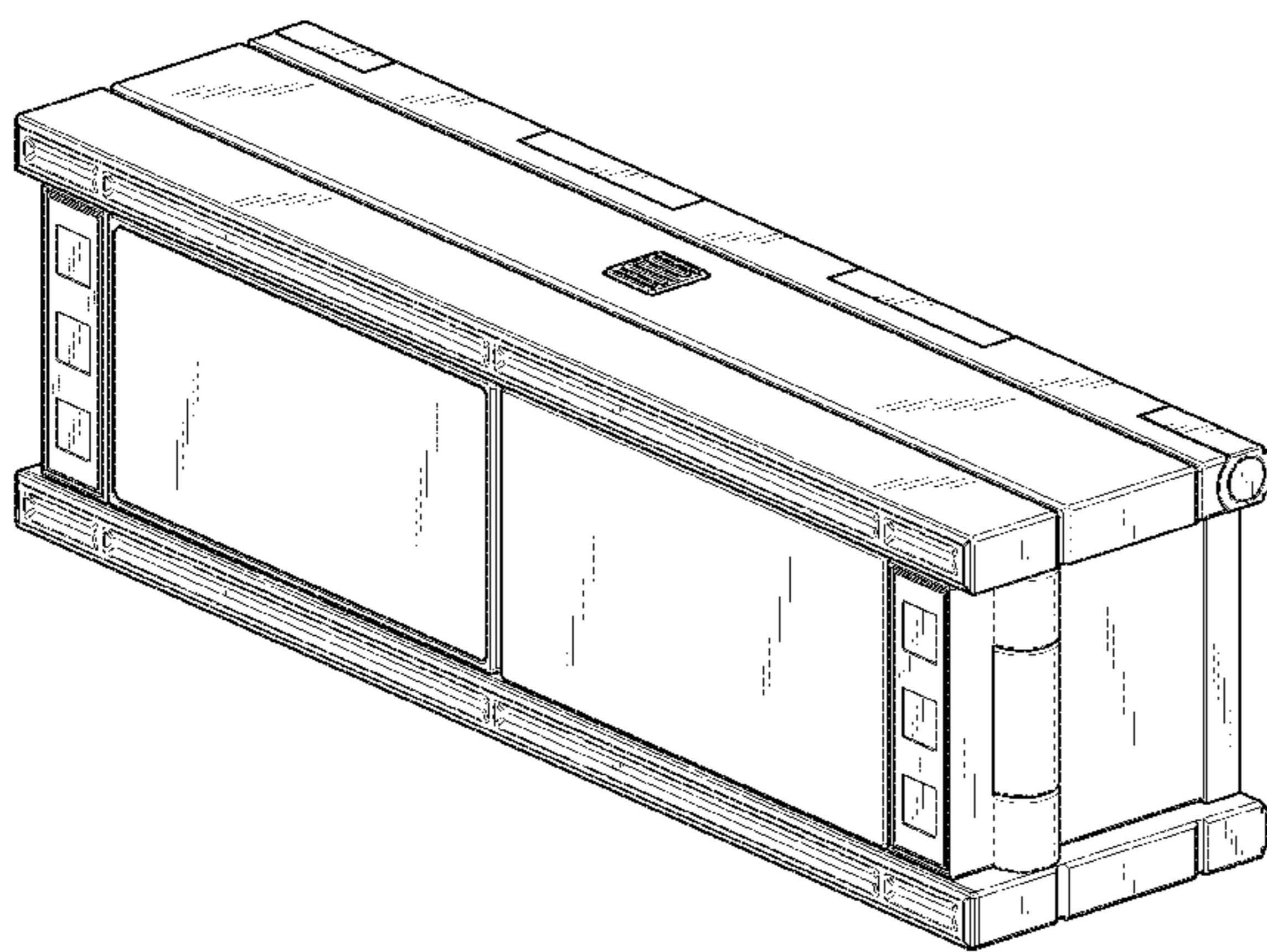
FIG. 4 is a front elevation view of the tailgate light of FIG. 1.

FIG. 5 is a bottom view of the tailgate light of FIG. 1.

FIG. 6 is a rear elevation view of the tailgate light of FIG. 1; and,

FIG. 7 is a left end elevation view of the tailgate light of FIG. 1, the right end elevation view being a mirror image thereof.

1 Claim, 5 Drawing Sheets



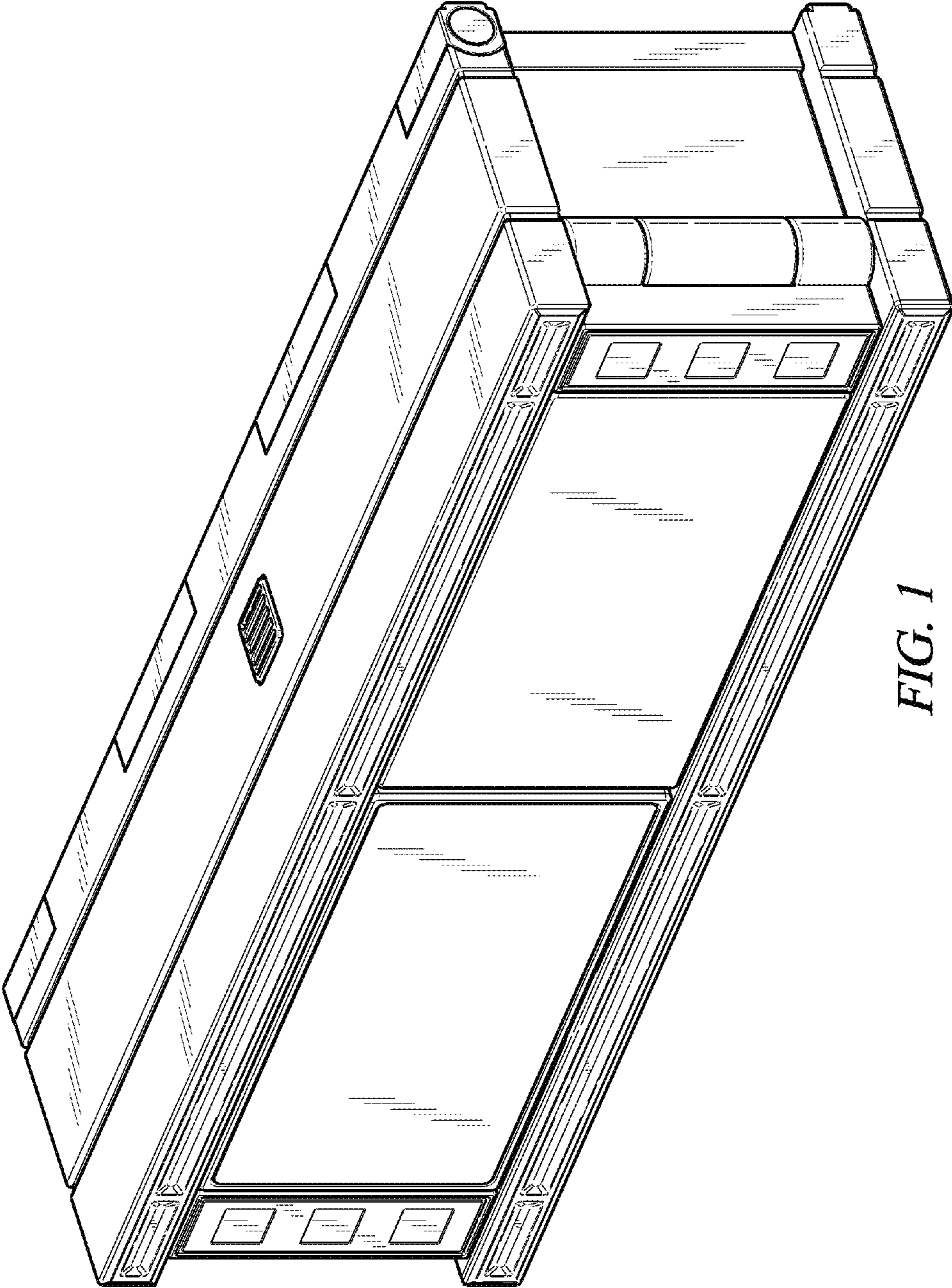


FIG. 1

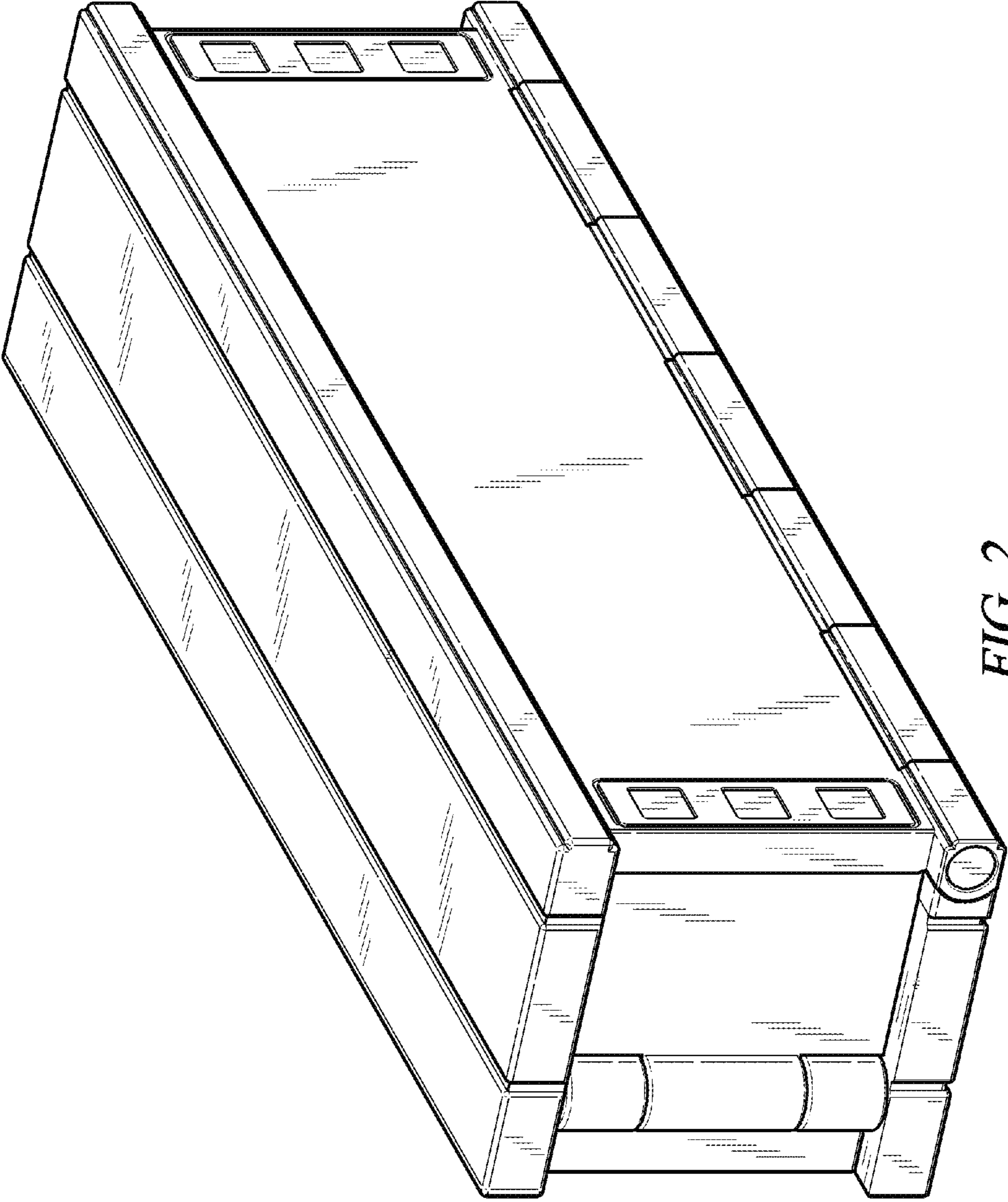


FIG. 2

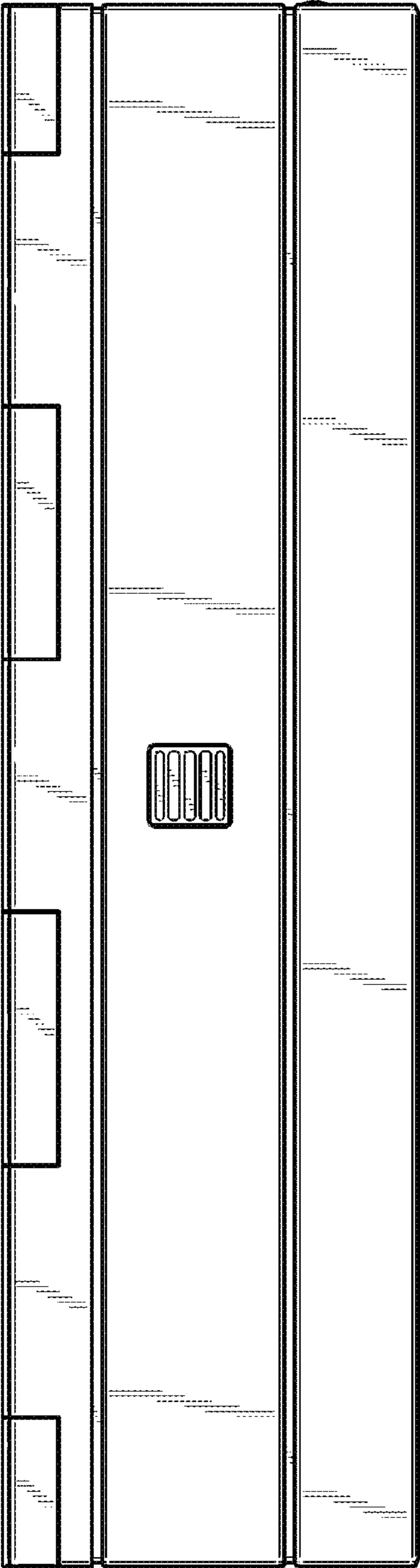


FIG. 3

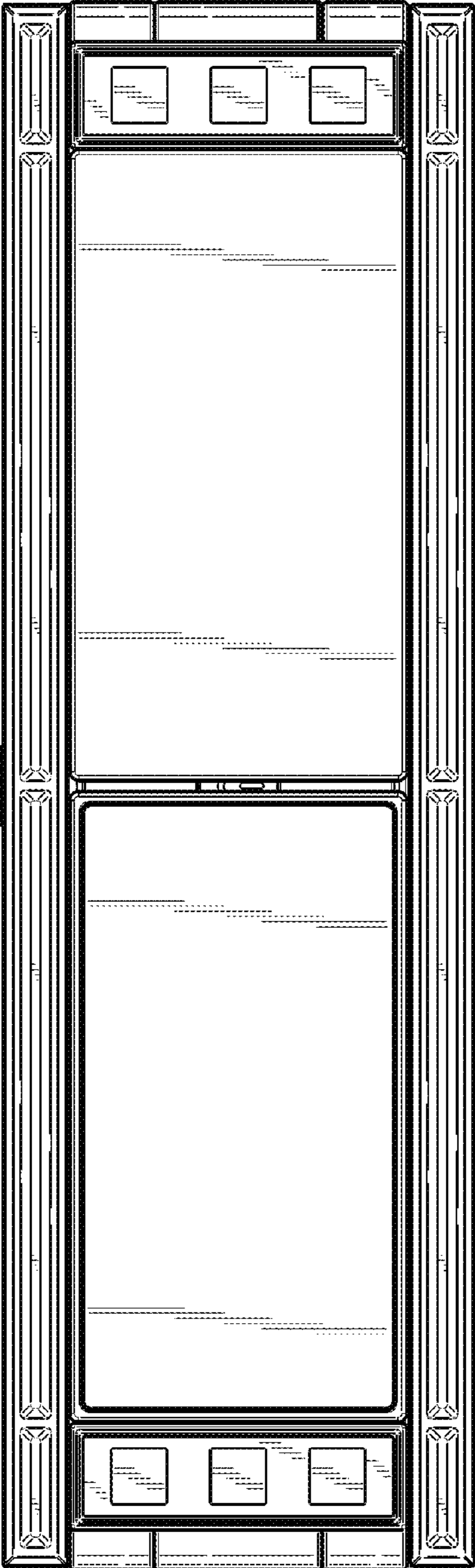


FIG. 4

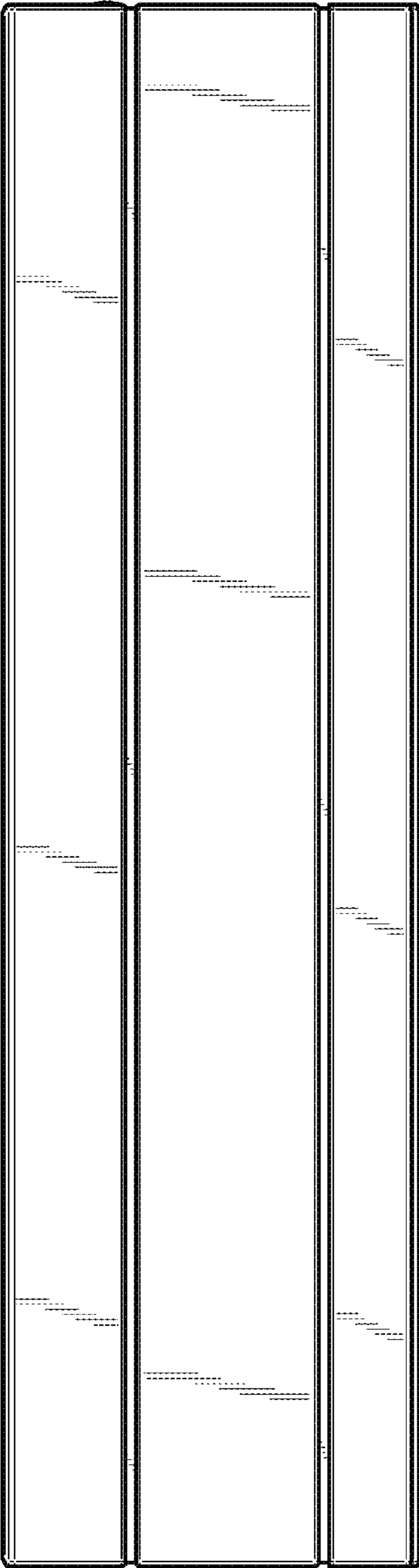


FIG. 5

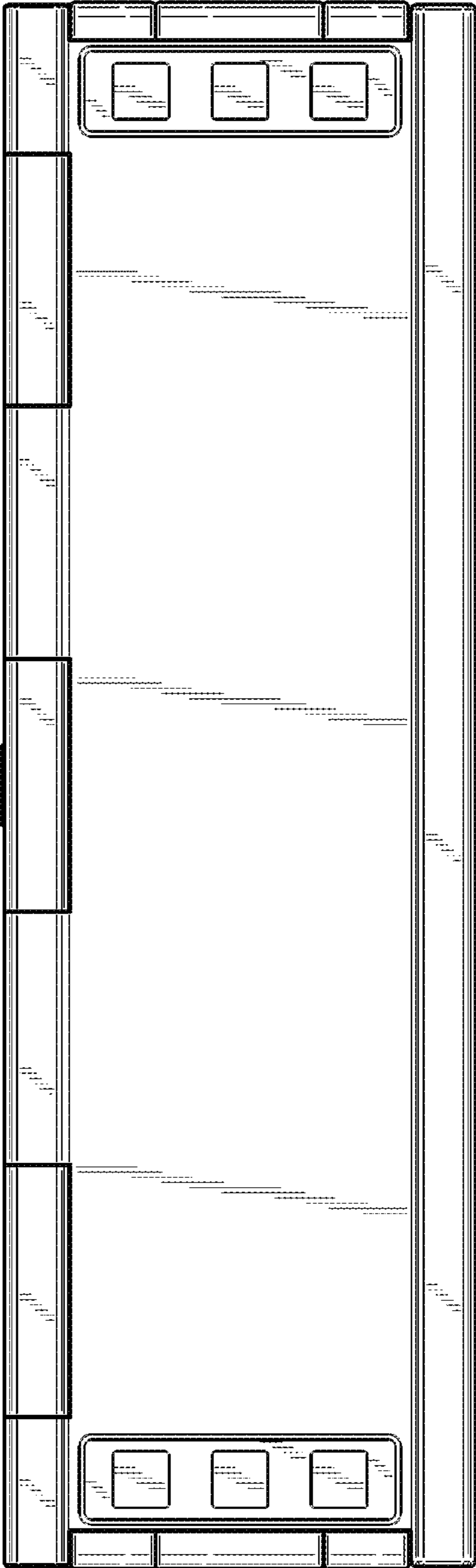


FIG. 6

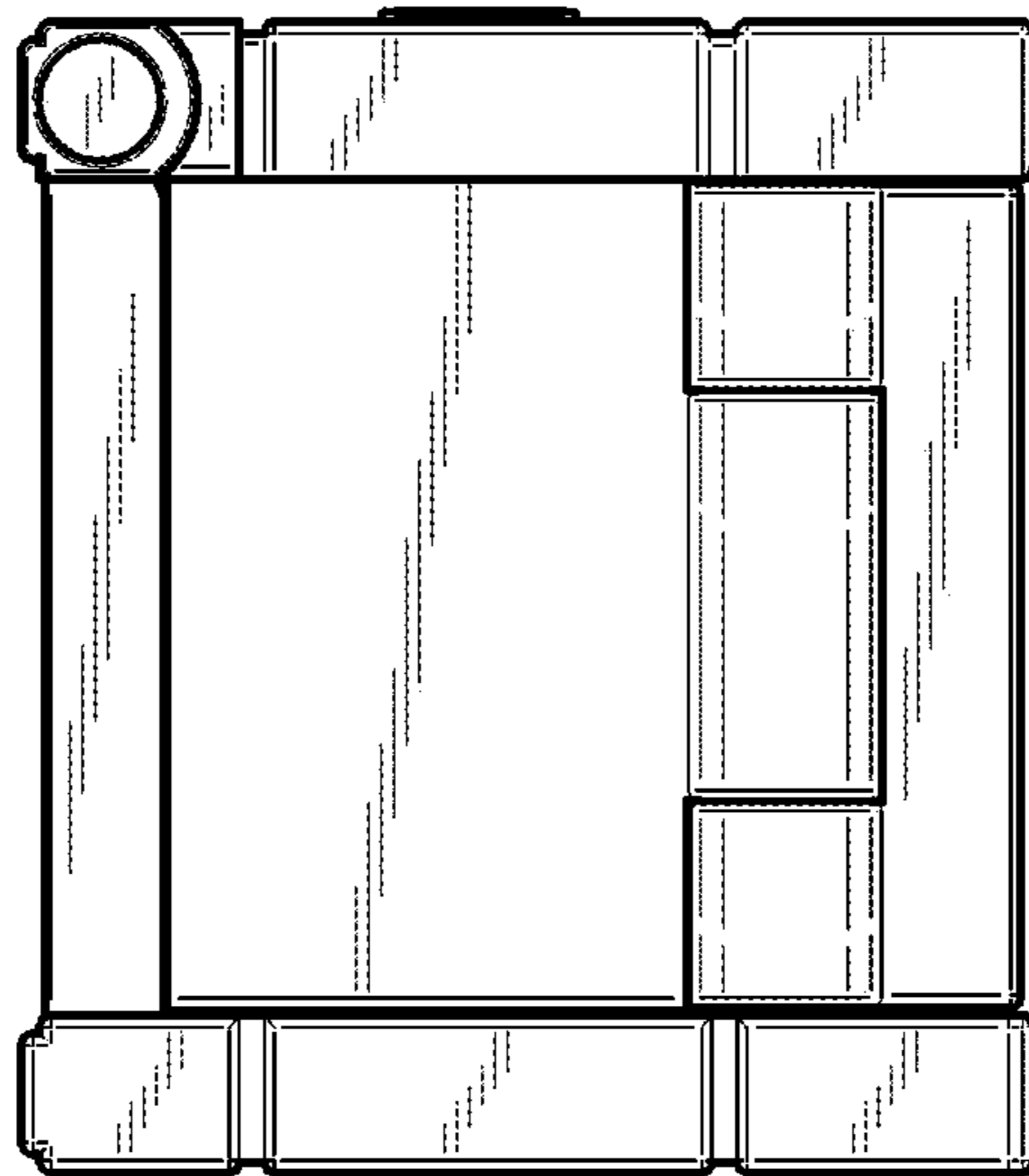


FIG. 7