



US00D733943S

(12) **United States Design Patent**
Singer

(10) **Patent No.:** **US D733,943 S**

(45) **Date of Patent:** **** Jul. 7, 2015**

(54) **CANDLE HOLDER**

(71) Applicant: **Yonah Singer**, Lakewood, NJ (US)

(72) Inventor: **Yonah Singer**, Lakewood, NJ (US)

(**) Term: **14 Years**

(21) Appl. No.: **29/490,125**

(22) Filed: **May 7, 2014**

(51) **LOC (10) Cl.** **26-01**

(52) **U.S. Cl.**
USPC **D26/20**

(58) **Field of Classification Search**
USPC D26/5-23; D11/143-156, 131, 131.1,
D11/157, 164; D6/556-558, 403-405;
D8/1; 431/299, 125, 126, 292, 289;
D7/500, 509, 523, 510, 511, 533, 532,
D7/524, 566, 570, 545, 354, 586, 515, 518,
D7/521, 549, 554.3, 562, 564, 527, 528,
D7/555, 558, 565, 569, 503; D9/428, 500,
D9/502, 520, 538, 539; D19/88, 80-82,
D19/84, 85

See application file for complete search history.

(56) **References Cited**

U.S. PATENT DOCUMENTS

4,043,077 A * 8/1977 Stonehocker 47/66.1
D335,105 S * 4/1993 Ottenwalder et al. D11/164
D369,871 S * 5/1996 Lui D26/9

D370,870 S * 6/1996 Weder et al. D11/164
5,526,932 A * 6/1996 Weder 206/423
D380,409 S * 7/1997 Weder et al. D11/164
D381,290 S * 7/1997 Weder et al. D11/164
D388,019 S * 12/1997 Weder et al. D11/164
D391,195 S * 2/1998 Weder et al. D11/164
D400,473 S * 11/1998 Weder et al. D11/164
6,324,786 B2 * 12/2001 Alcazar et al. 47/72
6,598,340 B1 * 7/2003 Weder et al. 47/72
6,775,949 B2 * 8/2004 Weder et al. 47/72

* cited by examiner

Primary Examiner — T. Chase Nelson

Assistant Examiner — Ania Aman

(74) *Attorney, Agent, or Firm* — Michael J. Feigin, Esc.;
Felgin & Associates, LLC

(57) **CLAIM**

The ornamental design for the candle holder, as shown and described.

DESCRIPTION

FIG. 1 shows a bottom and side perspective view of the candle holder.

FIG. 2 shows a top and side perspective view of the candle holder.

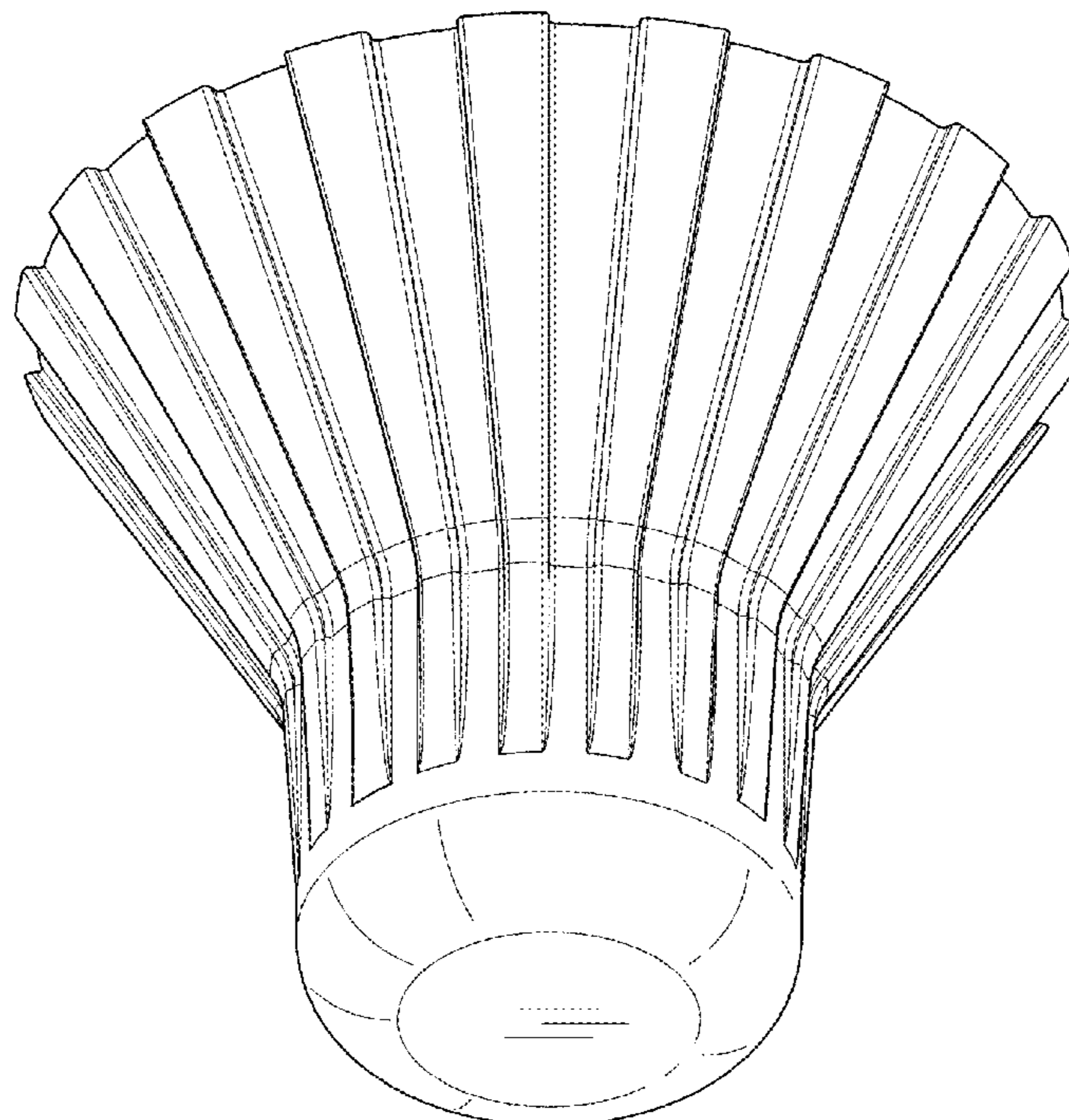
FIG. 3 shows a top plan view of the candle holder.

FIG. 4 shows a bottom plan view of the candle holder.

FIG. 5 shows a side view of the candle holder; and,

FIG. 6 shows an opposite side view of the candle holder.

1 Claim, 6 Drawing Sheets



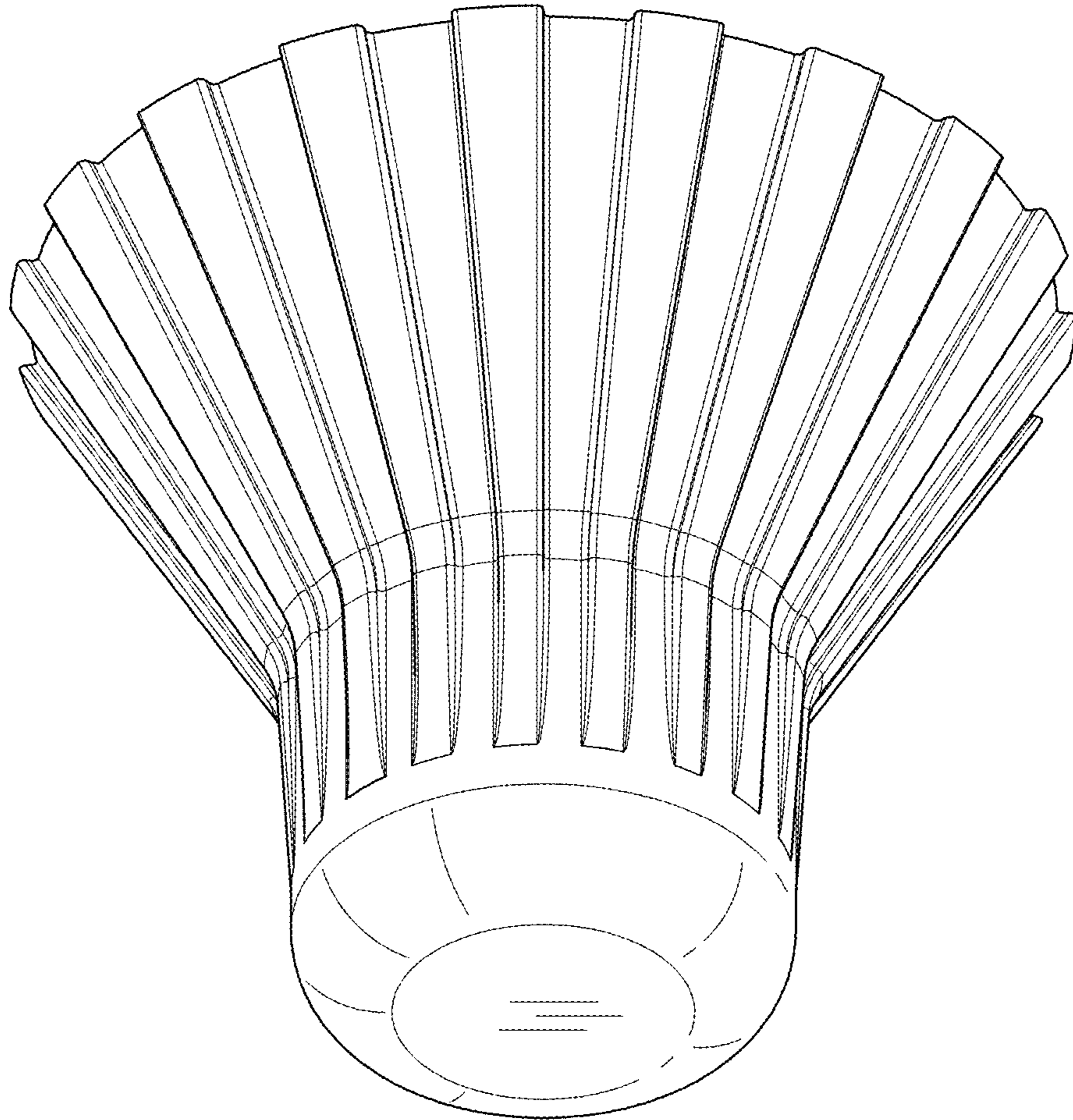


FIG. 1

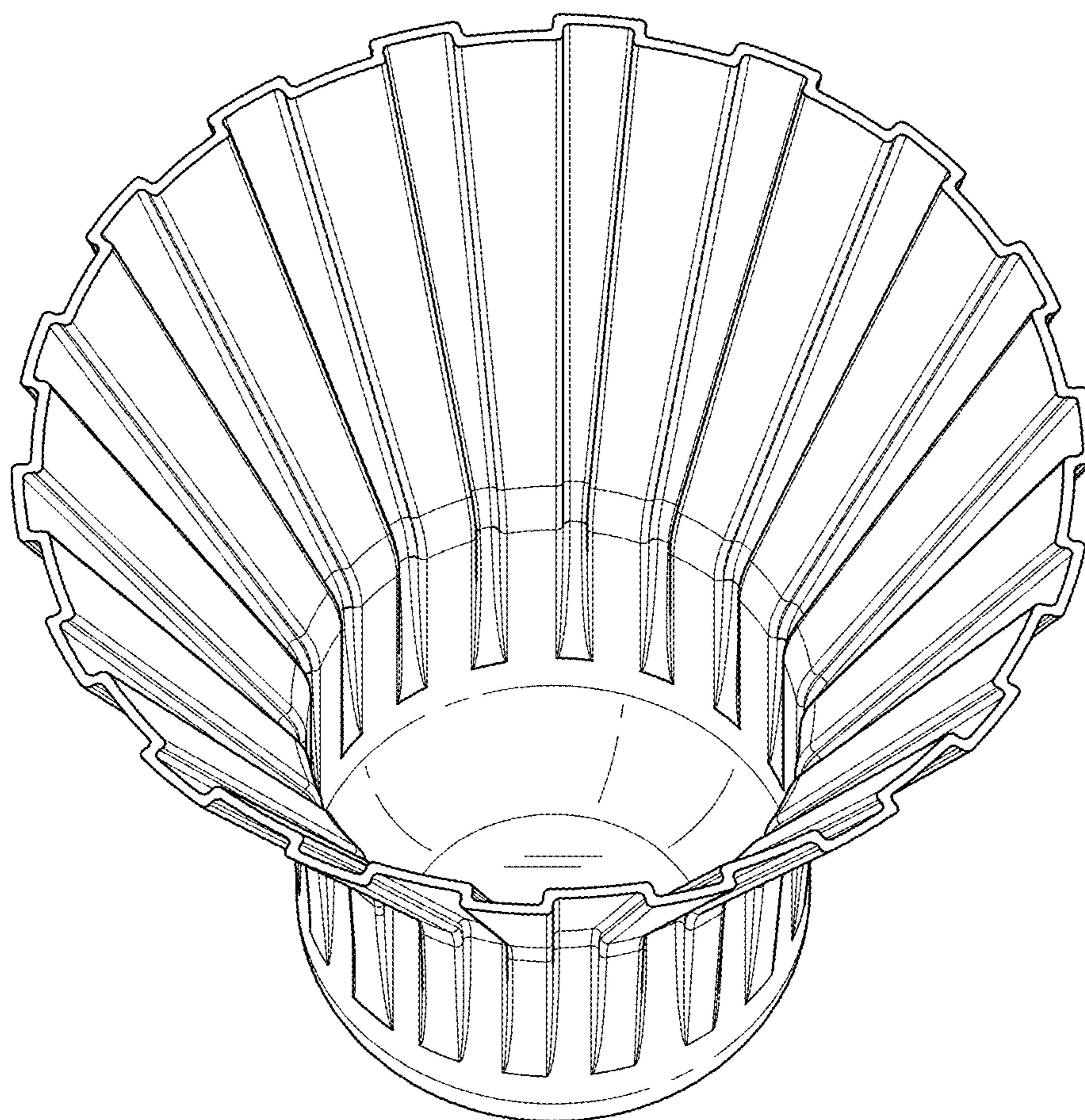


FIG. 2

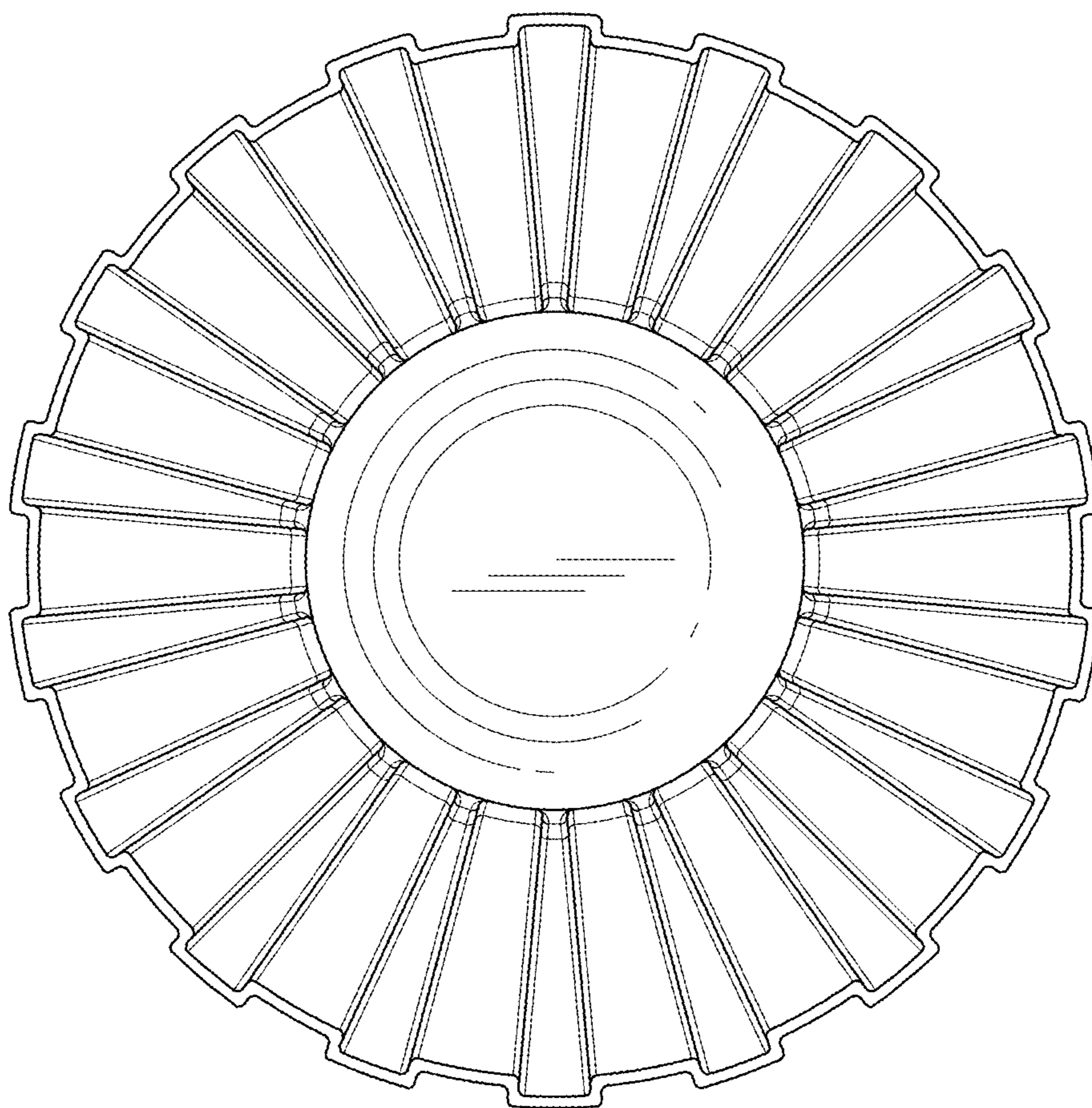


FIG. 3

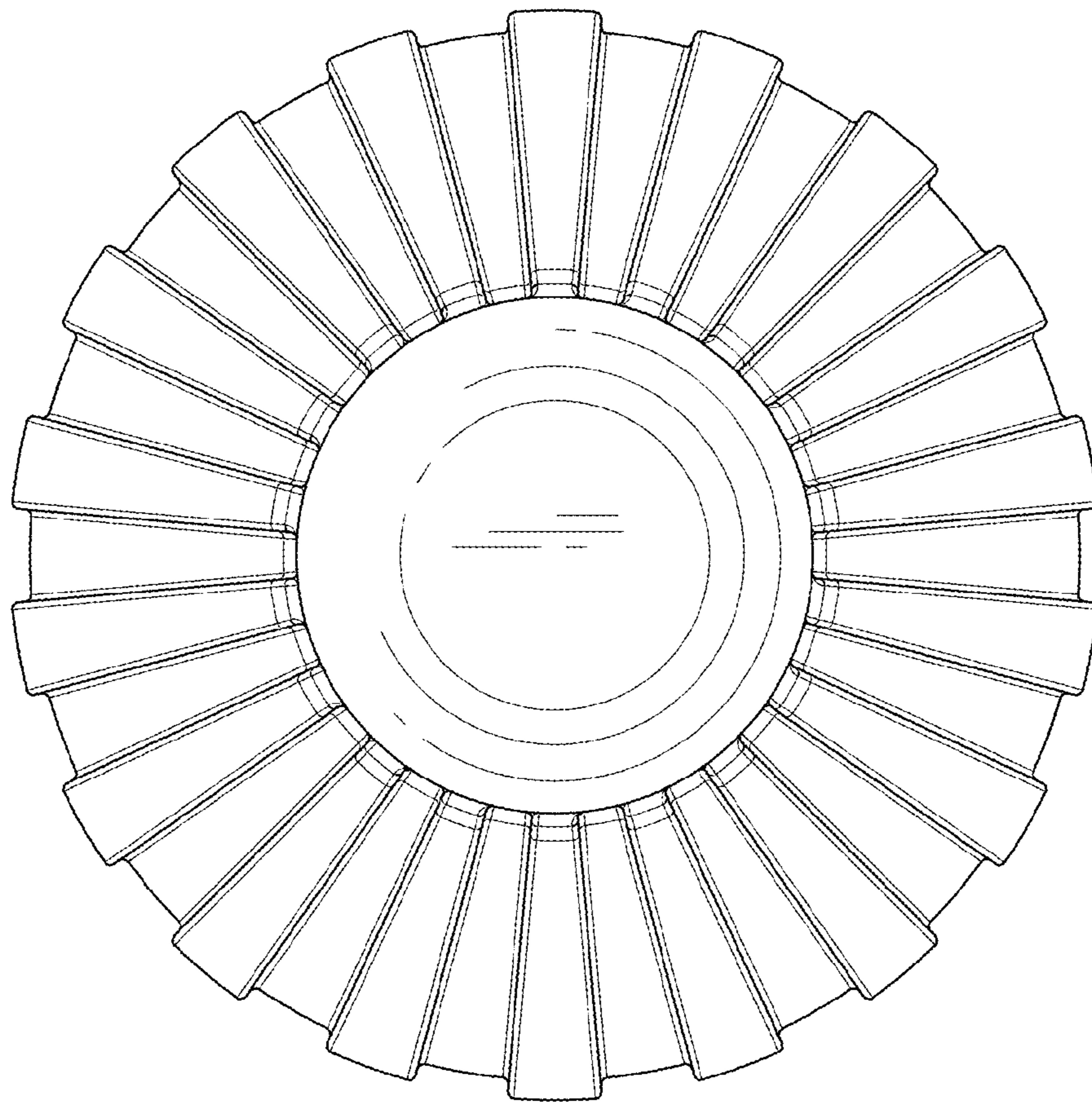


FIG. 4

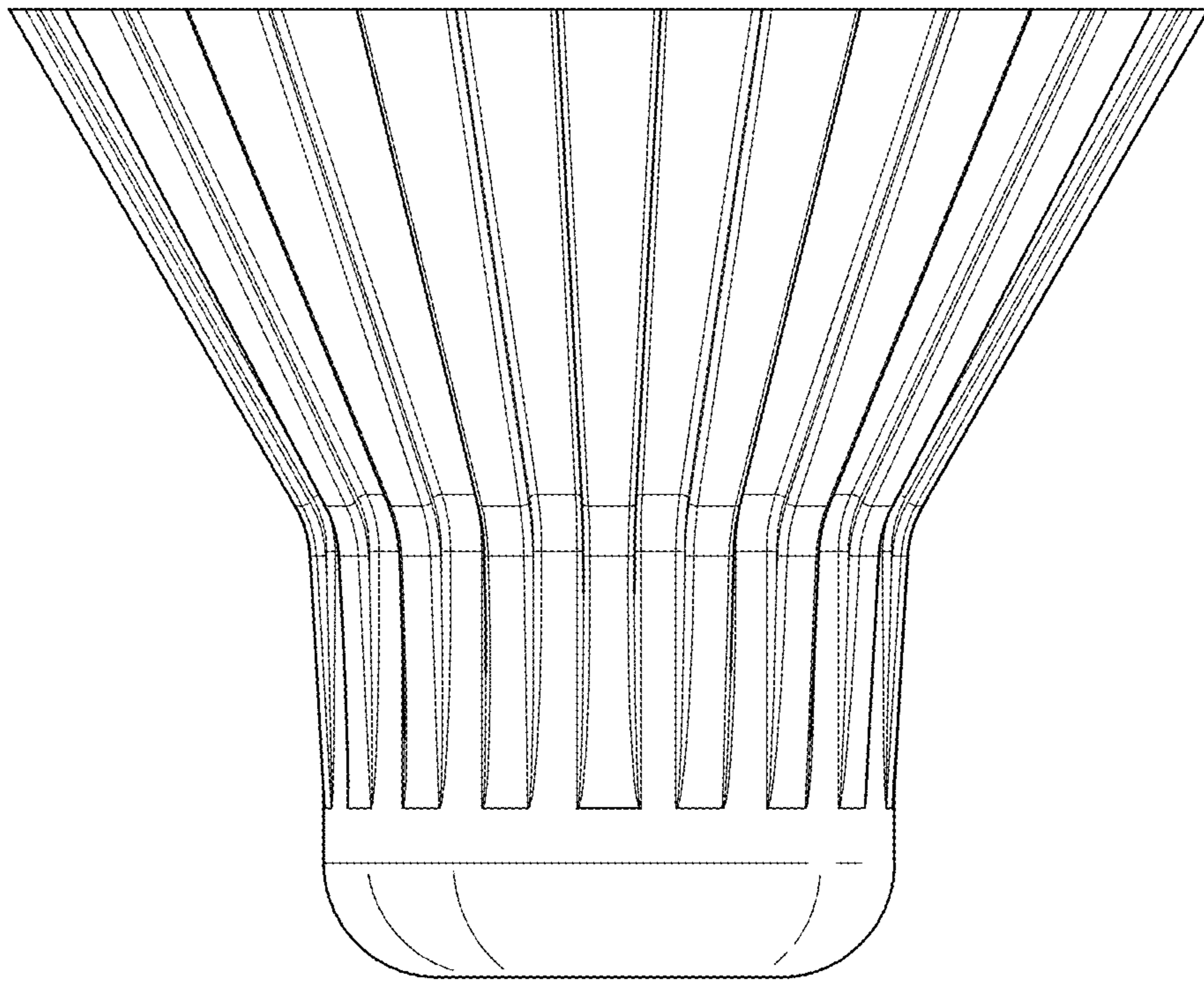


FIG. 5

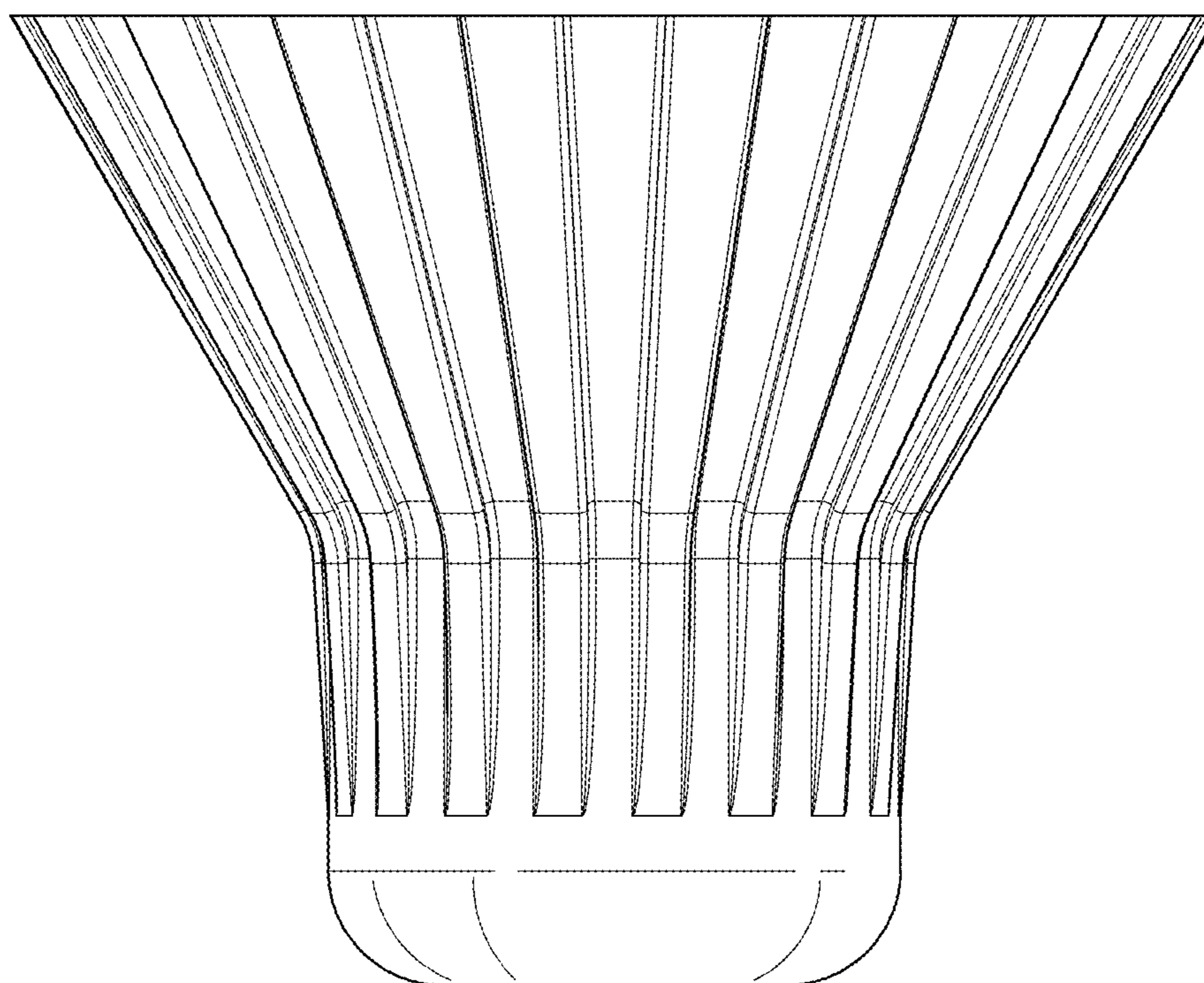


FIG. 6