



US00D733941S

(12) **United States Design Patent**
Chen et al.

(10) **Patent No.:** **US D733,941 S**
(45) **Date of Patent:** **** Jul. 7, 2015**

- (54) **OMNIDIRECTIONAL LAMP**
- (71) Applicant: **Zhejiang Shenghui Lighting Co., Ltd.**,
Jiaxing (CN)
- (72) Inventors: **Fang Chen**, Jiaxing (CN); **Xiongbo Xu**,
Jiaxing (CN)
- (73) Assignee: **Zhejiang Shengui Lighting Co., Ltd.**,
Jiaxing (CN)

D642,294	S	*	7/2011	Lee et al.	D26/2
8,226,270	B2	*	7/2012	Yamamoto et al.	362/294
8,272,766	B2	*	9/2012	Phipps et al.	362/294
D685,115	S	*	6/2013	Hwu et al.	D26/2
D695,430	S	*	12/2013	Chen	D26/2
D697,234	S	*	1/2014	Wei et al.	D26/2
D700,720	S	*	3/2014	Su	D26/2
D702,861	S	*	4/2014	Boomgaarden et al.	D26/2
D706,961	S	*	6/2014	Nasrullah et al.	D26/2
D713,566	S	*	9/2014	Patel et al.	D26/2
D724,241	S	*	3/2015	Huang	D26/2

(**) Term: **14 Years**

(21) Appl. No.: **29/484,325**

(22) Filed: **Mar. 7, 2014**

(51) **LOC (10) Cl.** **26-04**

(52) **U.S. Cl.**
USPC **D26/2**

(58) **Field of Classification Search**
USPC D26/1-4; 313/313, 315, 316, 317, 318,
313/493; 315/52, 53, 56, 57, 58; 362/294,
362/373, 327
CPC B60Q 1/0064
See application file for complete search history.

(56) **References Cited**

U.S. PATENT DOCUMENTS

7,319,293	B2	*	1/2008	Maxik	313/636
D631,989	S	*	2/2011	Bobel	D26/2

* cited by examiner

Primary Examiner — Ian Simmons

Assistant Examiner — Harold Blackwell, II

(74) *Attorney, Agent, or Firm* — Wang Law Firm, Inc.; Li K. Wang; Stephen Hsu

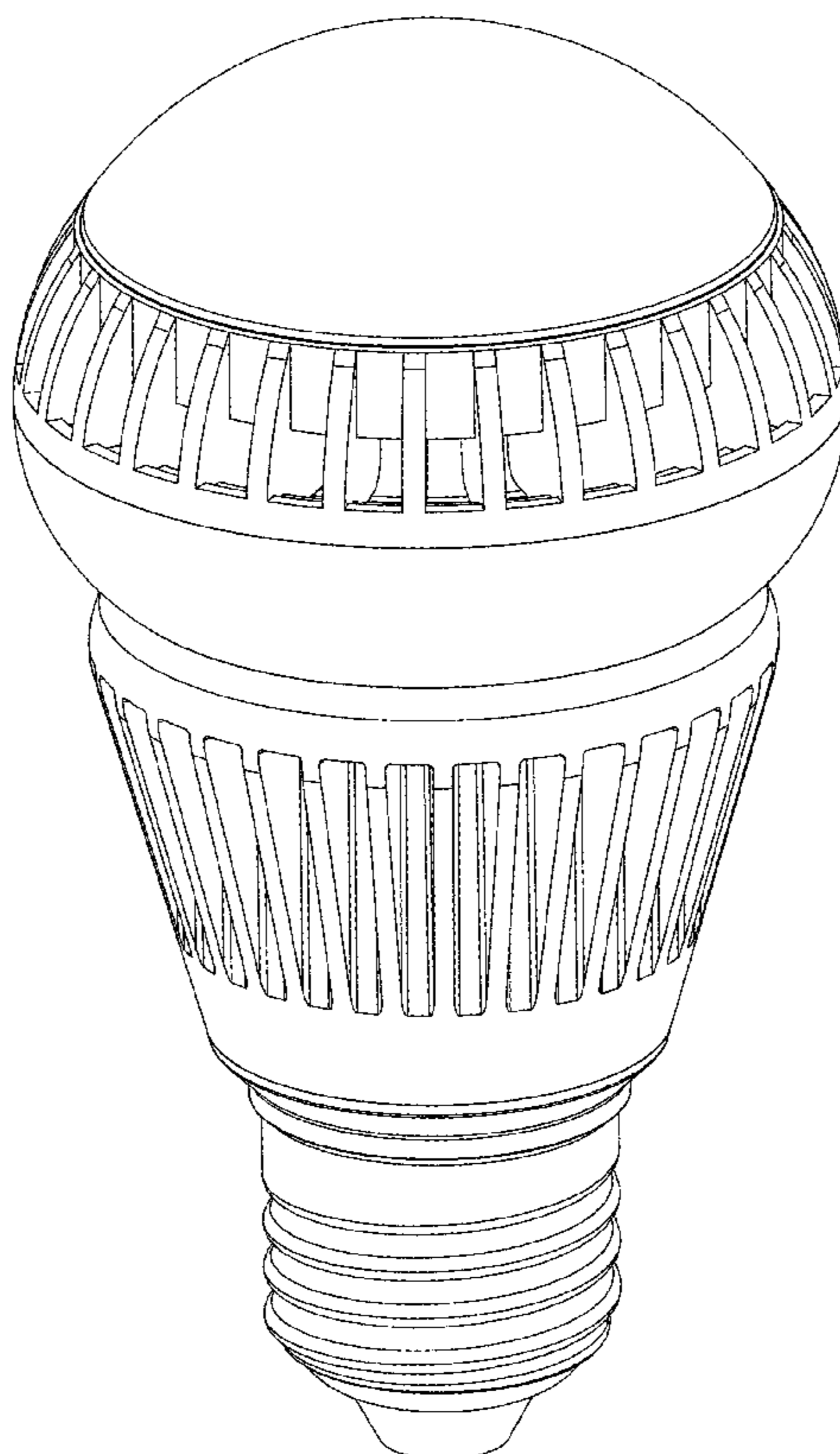
(57) **CLAIM**

The ornamental design for an omnidirectional bulb, as shown and described.

DESCRIPTION

FIG. 1 is a side view;
FIG. 2 is a top view;
FIG. 3 is a bottom view;
FIG. 4 is a side view on the side opposite FIG. 1;
FIG. 5 is a pitched side view;
FIG. 6 is a bottom perspective view; and,
FIG. 7 is a top perspective view.

1 Claim, 7 Drawing Sheets



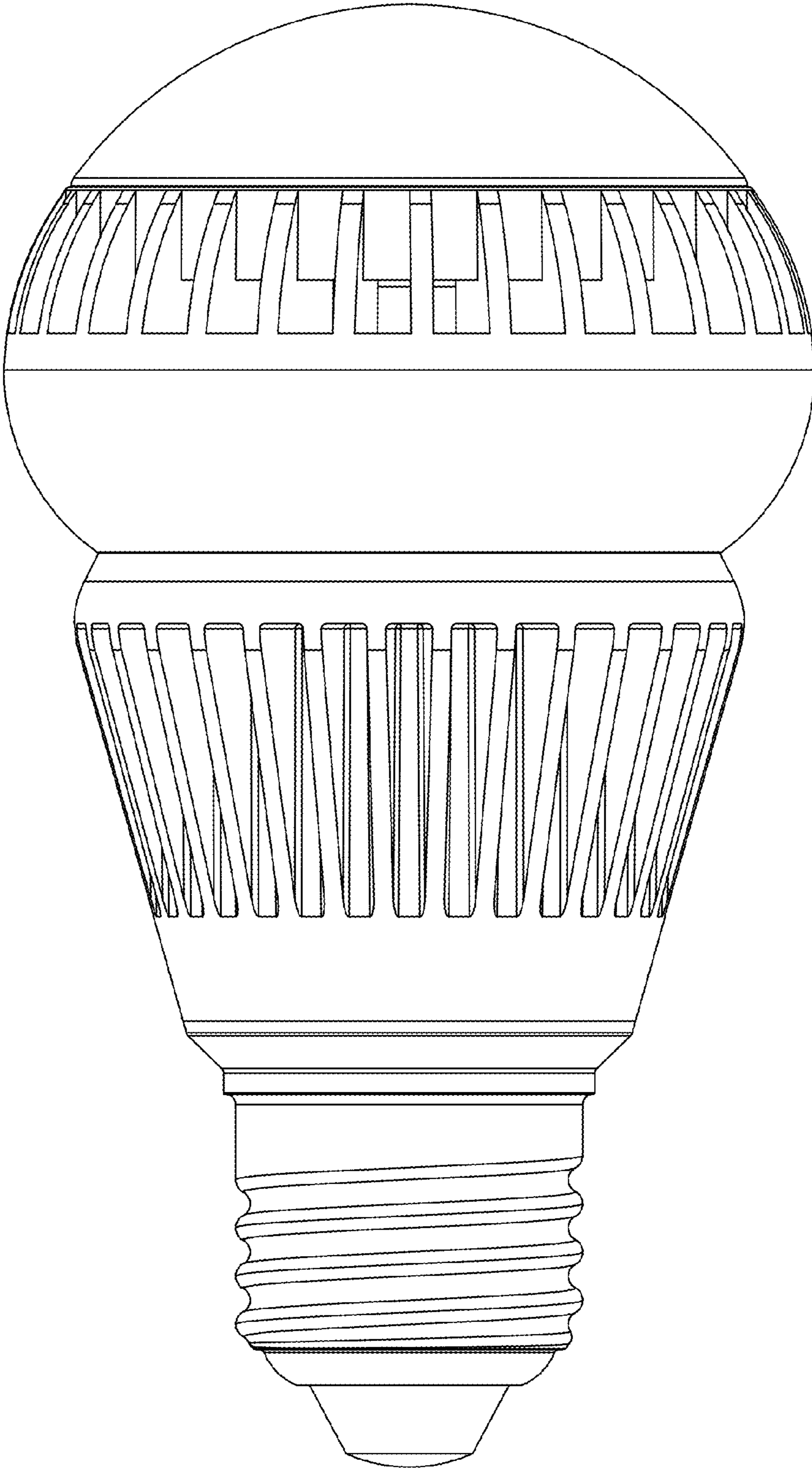


Fig 1

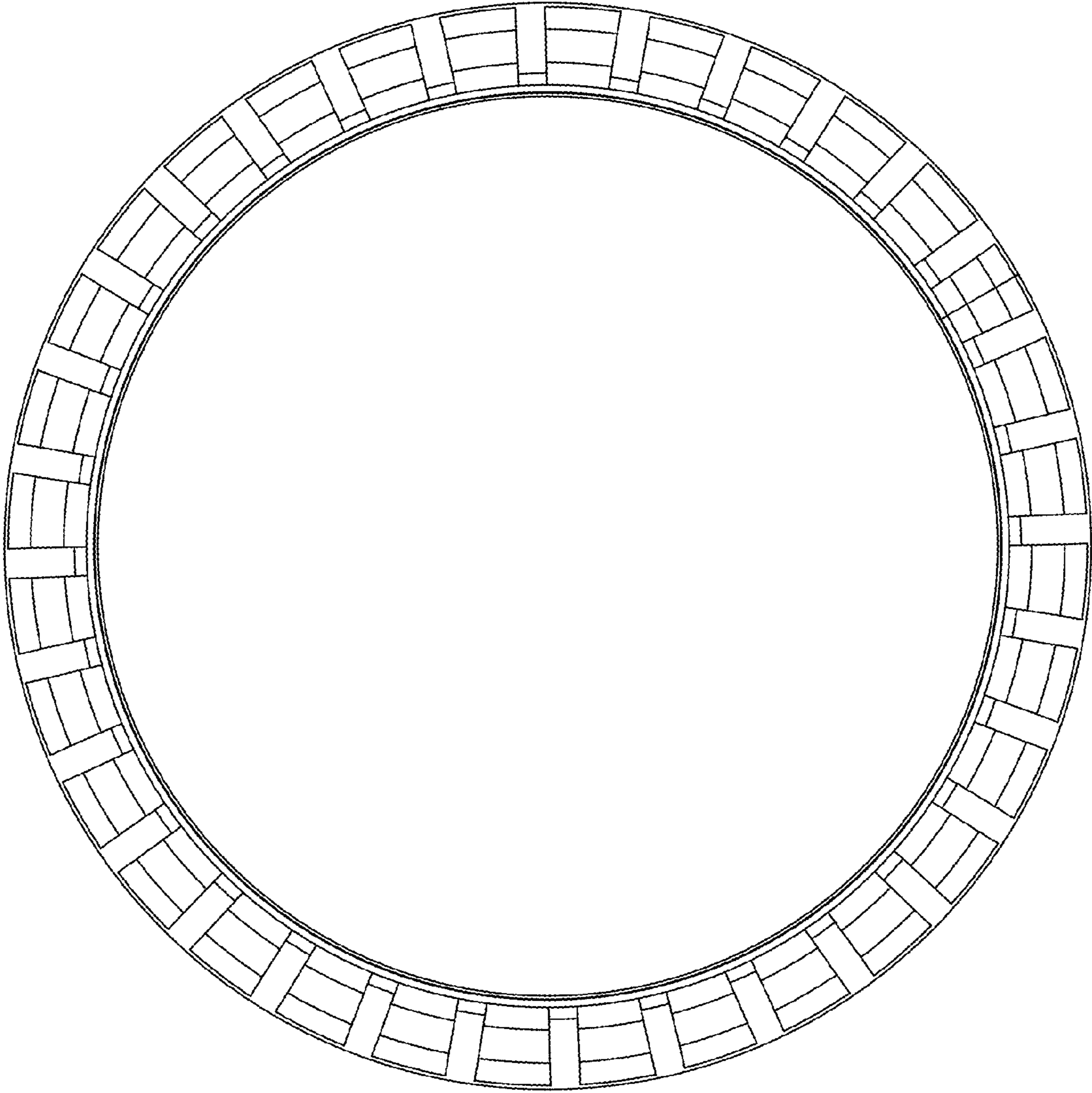


Fig 2

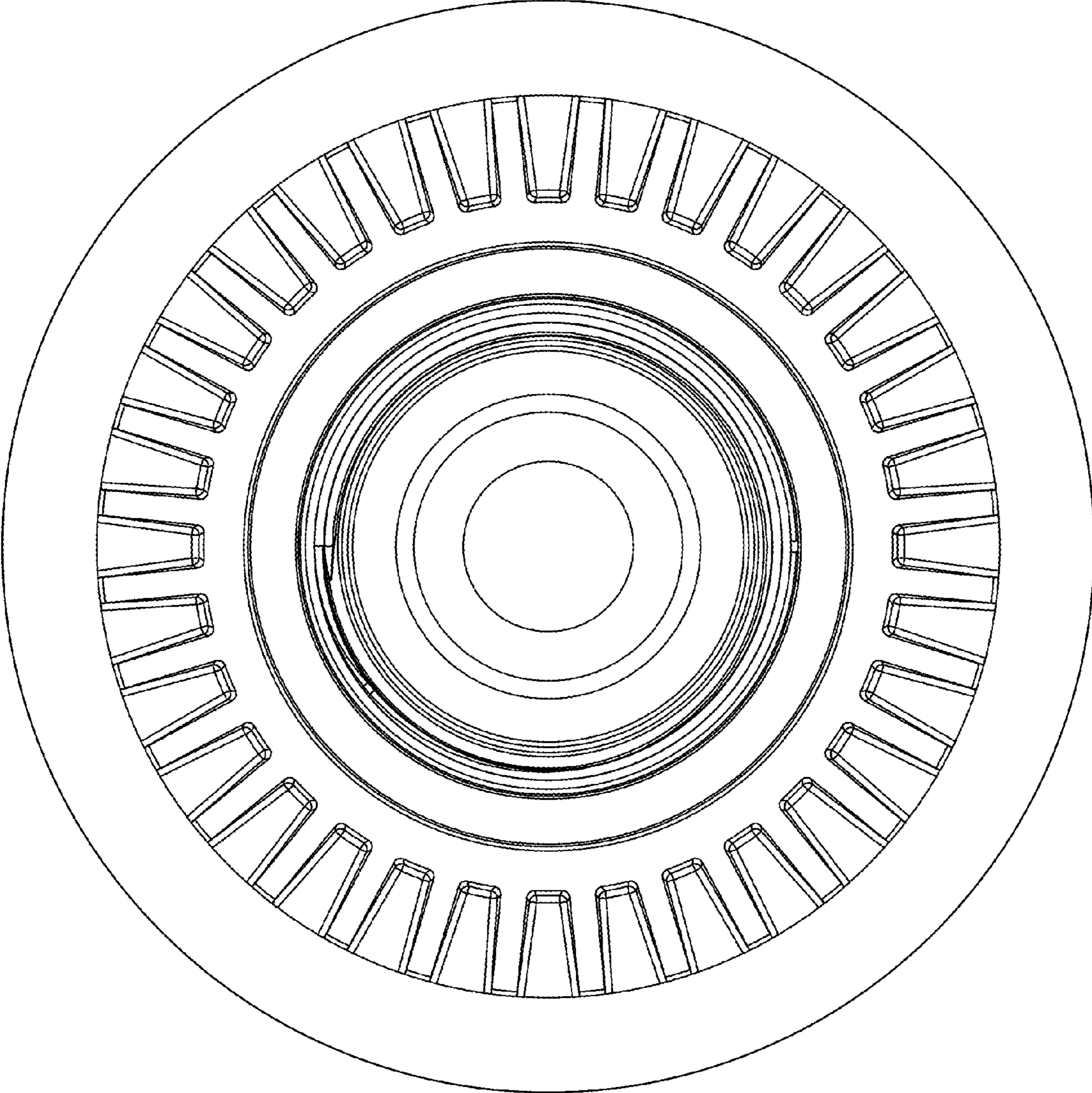


Fig 3

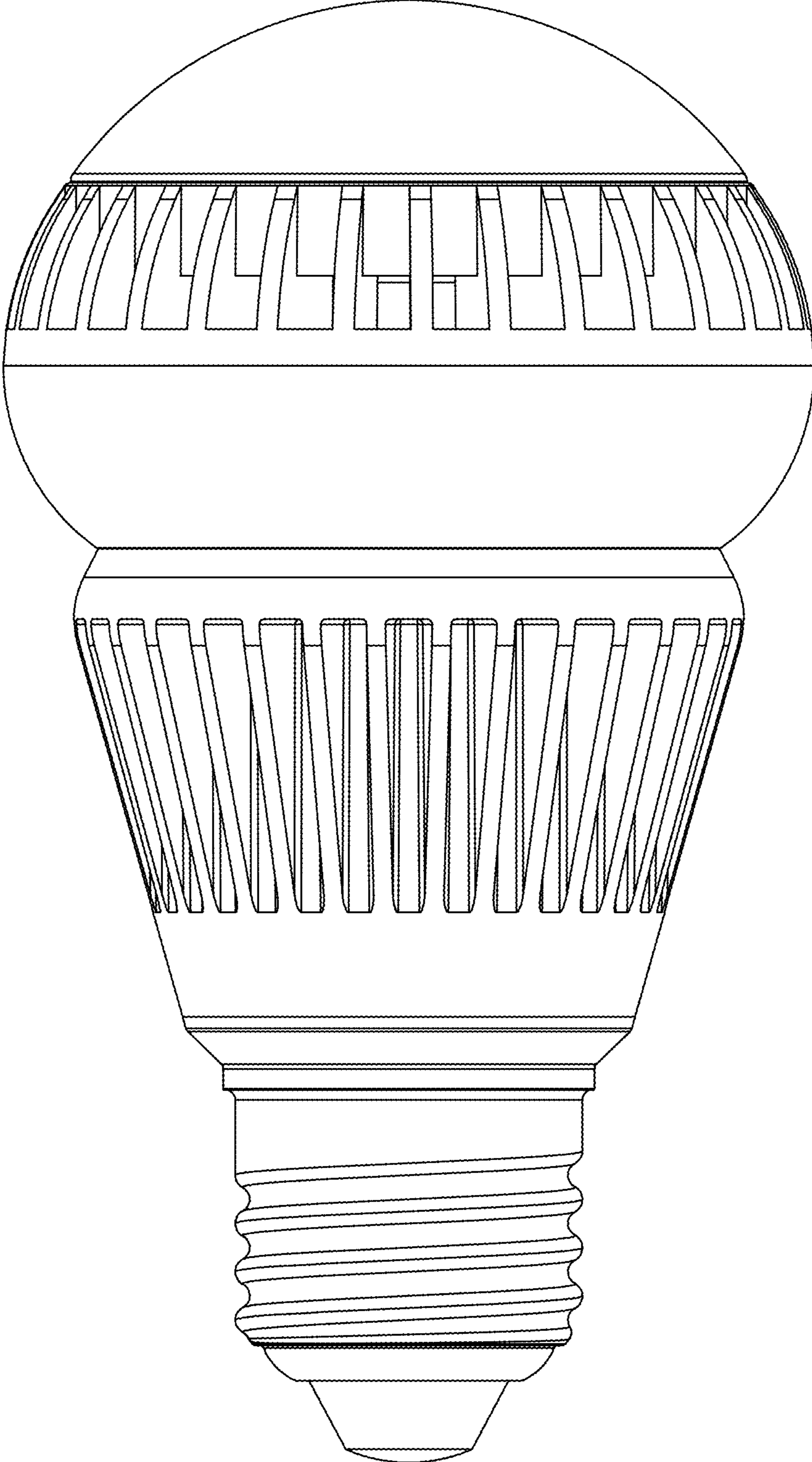


Fig 4

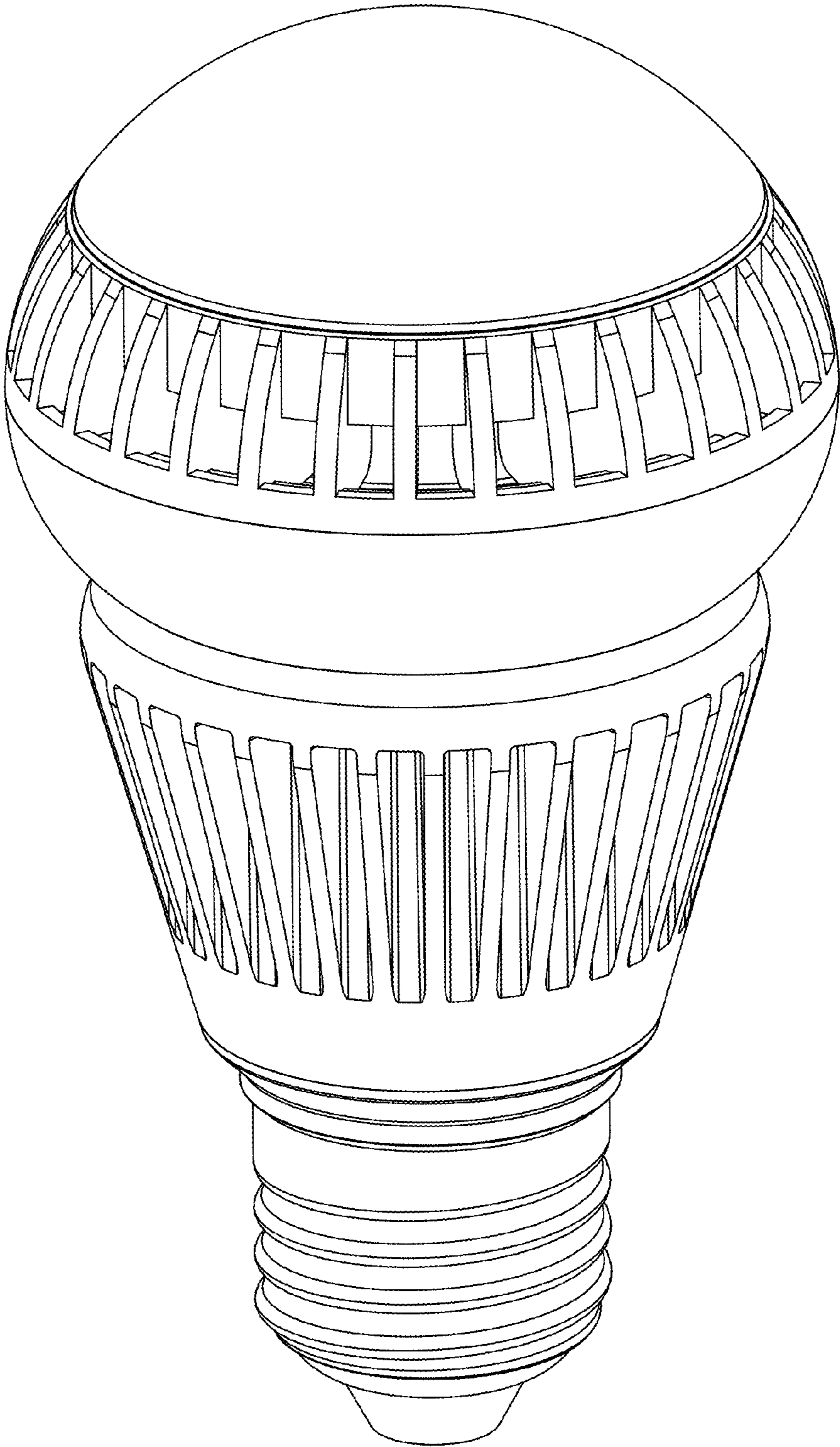


Fig 5

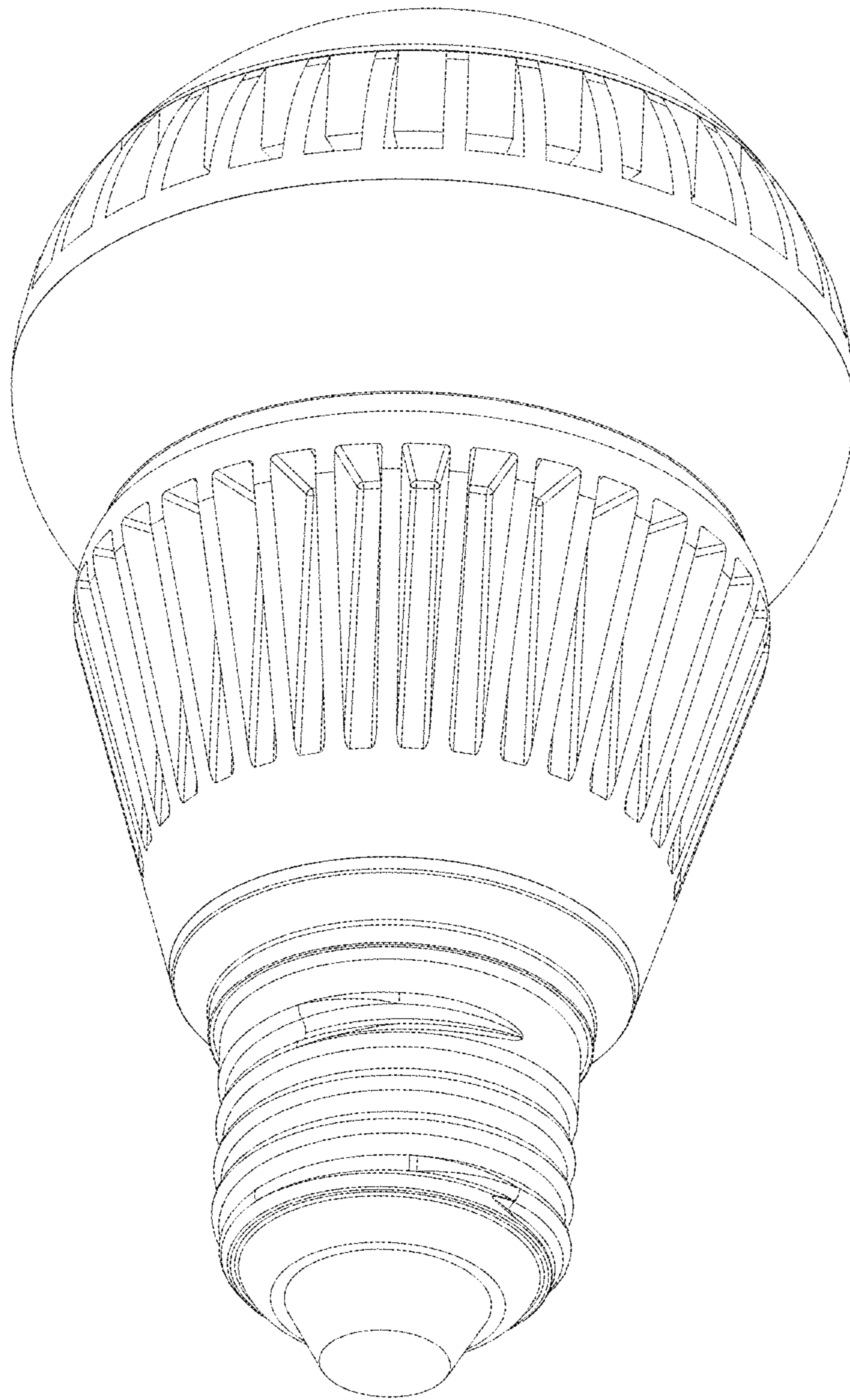


Fig. 6

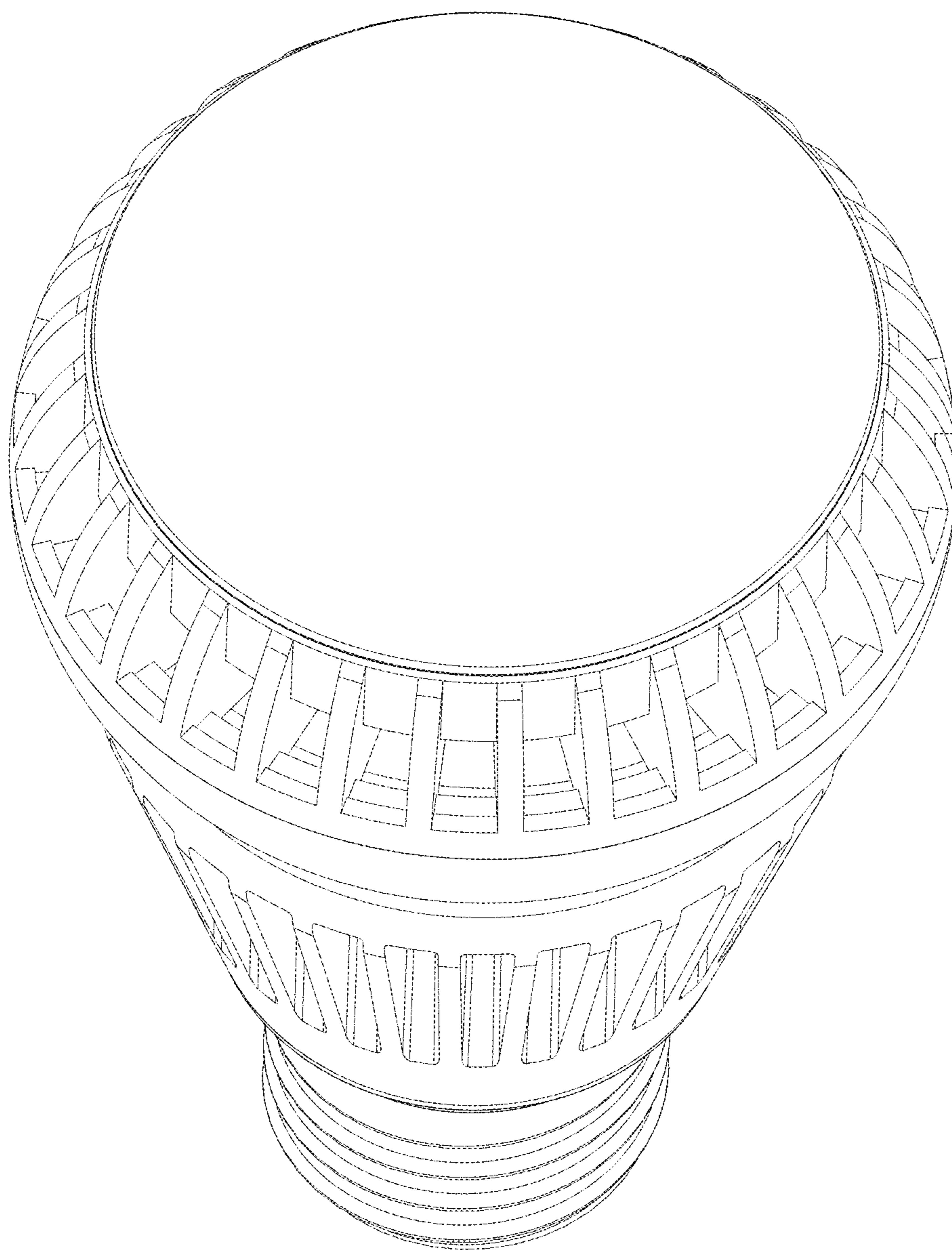


Fig. 7