



US00D733934S

(12) **United States Design Patent**  
**Underkofler et al.**

(10) **Patent No.:** **US D733,934 S**  
(45) **Date of Patent:** **\*\* Jul. 7, 2015**

- (54) **UTILITY MODULE BRACKET**
- (71) Applicant: **USG Interiors, LLC**, Chicago, IL (US)
- (72) Inventors: **Abraham M. Underkofler**, Waukegan, IL (US); **Peder J. Gulbrandsen**, Aurora, IL (US); **Mark R. Paulsen**, Waukegan, IL (US)
- (73) Assignee: **USG INTERIORS, LLC**, Chicago, IL (US)
- (\*\*) Term: **14 Years**
- (21) Appl. No.: **29/485,554**
- (22) Filed: **Mar. 20, 2014**
- (51) **LOC (10) Cl.** ..... **25-01**
- (52) **U.S. Cl.**  
USPC ..... **D25/102**
- (58) **Field of Classification Search**  
USPC ..... D8/349, 354, 373, 380, 382; D25/102, D25/119, 138, 142, 143; 29/428, 464; 52/506.05–506.1, 586.1; 248/205.1, 248/300, 309.1, 316.8; 403/292, 294  
See application file for complete search history.

- (56) **References Cited**  
U.S. PATENT DOCUMENTS  
6,138,425 A \* 10/2000 Wendt ..... 52/506.07  
6,729,100 B2 \* 5/2004 Koski et al. .... 52/506.05  
D557,108 S \* 12/2007 Navin et al. .... D8/346  
D600,822 S \* 9/2009 Coleman et al. .... D25/113  
D612,224 S \* 3/2010 Wendt ..... D8/354  
7,779,593 B2 \* 8/2010 Jahn et al. .... 52/506.06  
D626,406 S \* 11/2010 Tedesco et al. .... D8/394

- D626,407 S \* 11/2010 Tedesco et al. .... D8/394
- D637,897 S \* 5/2011 Tedesco et al. .... D8/394
- D637,898 S \* 5/2011 Tedesco et al. .... D8/394
- D638,286 S \* 5/2011 Tedesco et al. .... D8/394
- D659,513 S \* 5/2012 Lin ..... D8/349
- 8,397,458 B2 \* 3/2013 Tedesco et al. .... 52/506.05
- D679,176 S \* 4/2013 Tedesco et al. .... D8/394
- D682,069 S \* 5/2013 Lehane et al. .... D8/354
- 8,745,951 B2 \* 6/2014 Bowers et al. .... 52/582.1
- 8,782,985 B2 \* 7/2014 Gulbrandsen et al. .... 52/506.06
- 8,869,484 B2 \* 10/2014 Gulbrandsen et al. .... 52/506.07
- D721,945 S \* 2/2015 Underkofler et al. .... D8/382
- 2006/0162270 A1 \* 7/2006 Maisch et al. .... 52/506.07
- 2011/0078969 A1 \* 4/2011 Tedesco et al. .... 52/506.06
- 2013/0227907 A1 \* 9/2013 Gulbrandsen et al. .... 52/665

\* cited by examiner

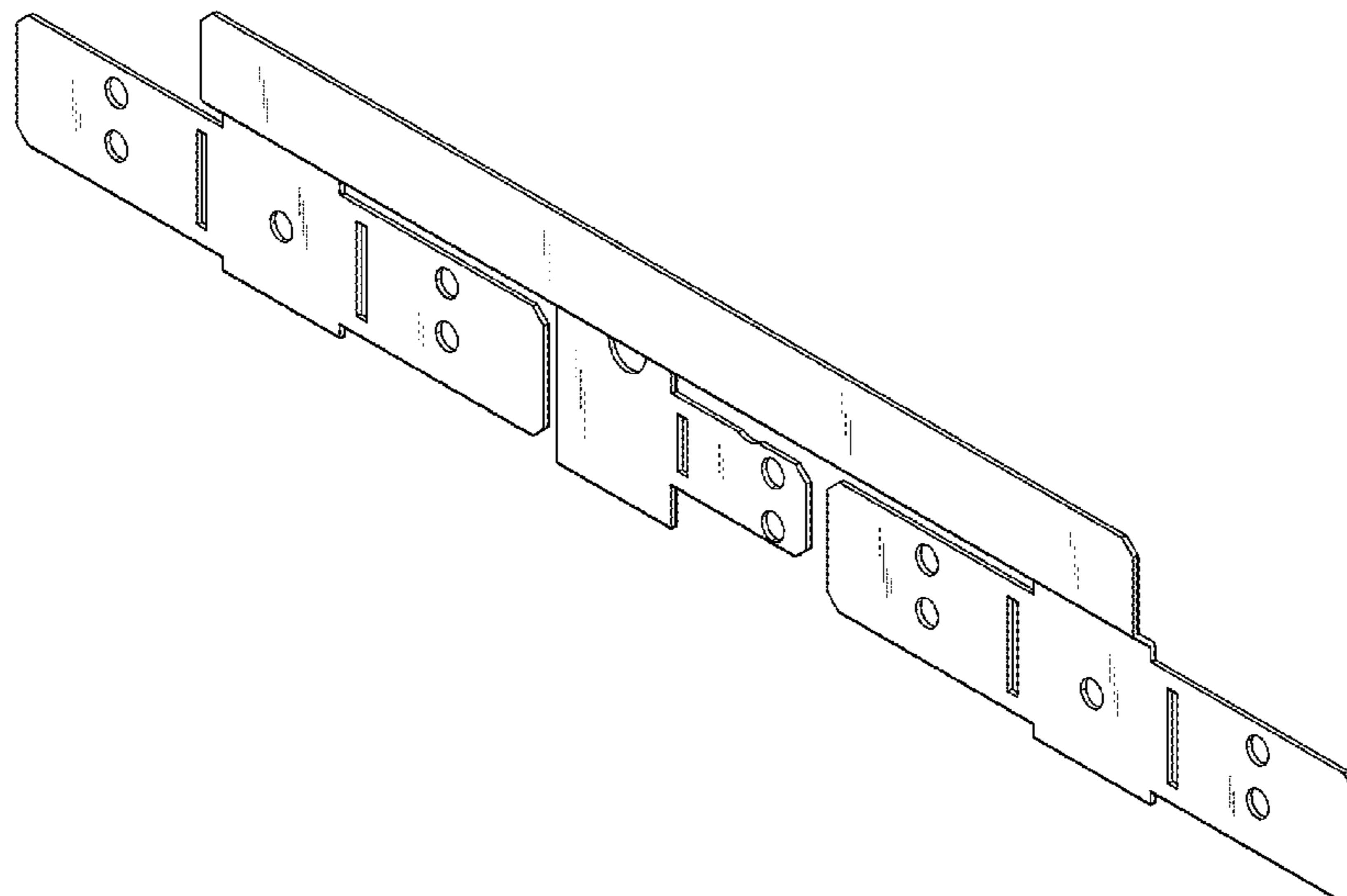
*Primary Examiner* — Susan Bennett Hattan  
*Assistant Examiner* — Leanne Was  
(74) *Attorney, Agent, or Firm* — Pearne & Gordon LLP

(57) **CLAIM**  
The ornamental design for a utility module bracket, as shown and described.

**DESCRIPTION**

FIG. 1 is an isometric view of a utility module bracket; FIG. 2 is a front view thereof; FIG. 3 is a right side view thereof; FIG. 4 is a top view thereof; FIG. 5 is a bottom view thereof; FIG. 6 is a rear view thereof; FIG. 7 is an isometric view thereof in a first deployed configuration; and, FIG. 8 is an isometric view thereof in a second deployed configuration.

**1 Claim, 3 Drawing Sheets**



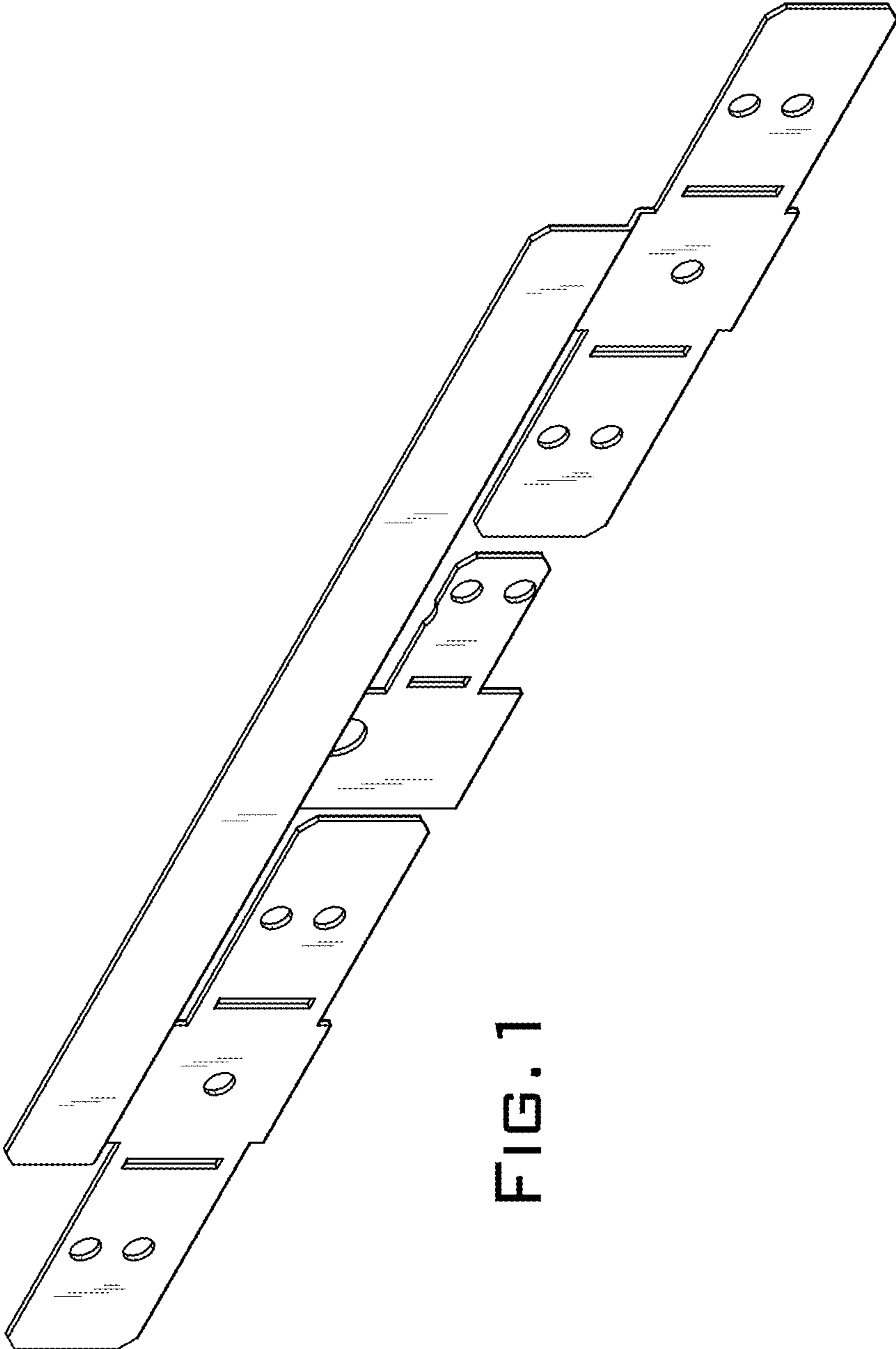


FIG. 1

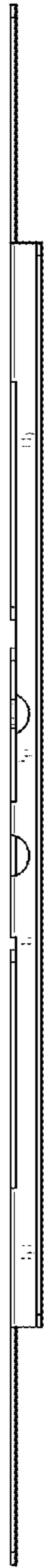


FIG. 4

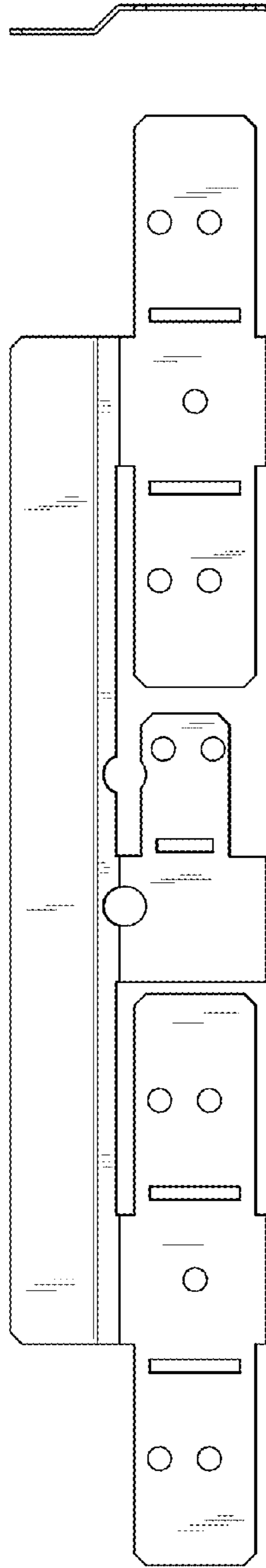


FIG. 2

FIG. 3

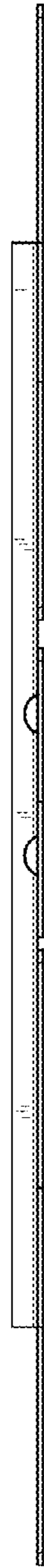


FIG. 5

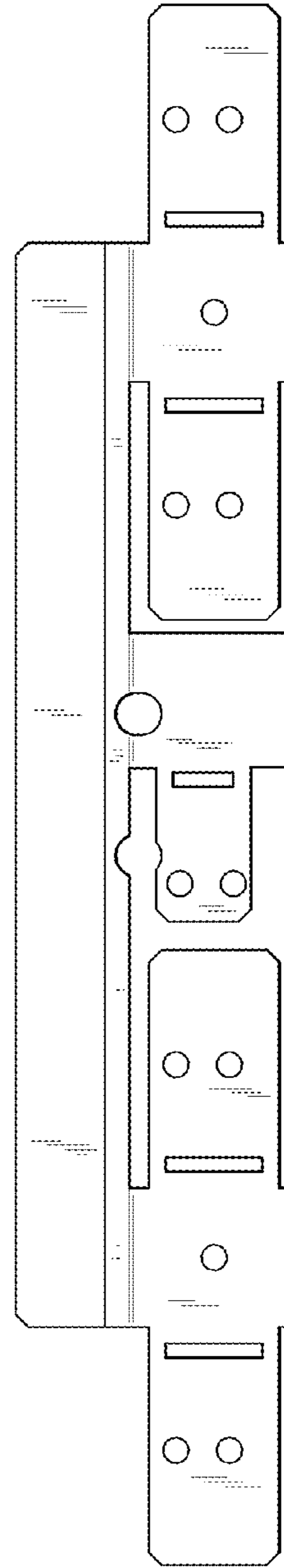


FIG. 6

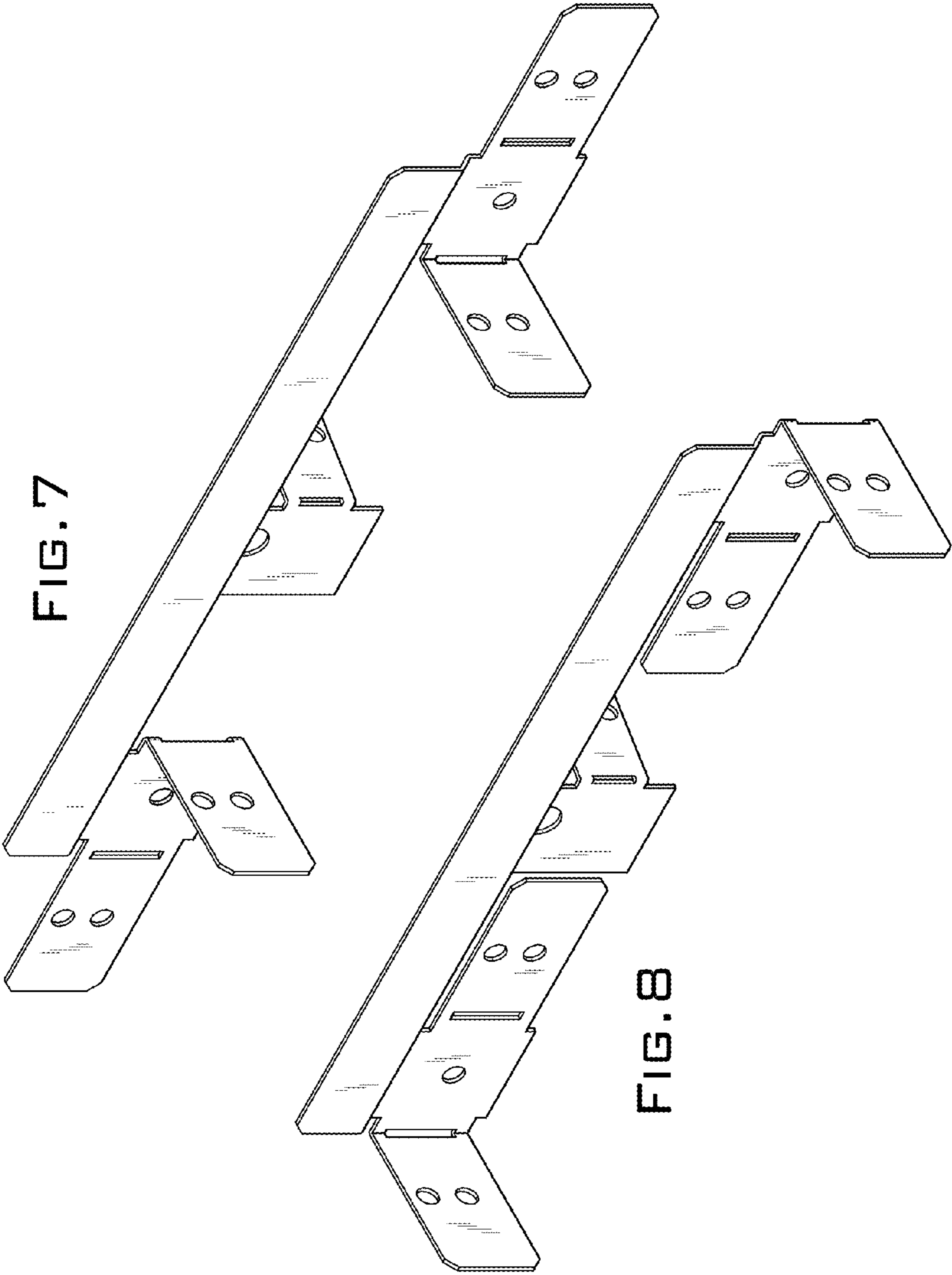


FIG. 7

FIG. 8