



US00D733932S

(12) **United States Design Patent**  
**Classen**

(10) **Patent No.:** **US D733,932 S**  
(45) **Date of Patent:** **\*\* Jul. 7, 2015**

(54) **CONCRETE STEP**

(71) Applicant: **David William Classen**, Manassas, VA  
(US)

(72) Inventor: **David William Classen**, Manassas, VA  
(US)

(\*\*) Term: **14 Years**

(21) Appl. No.: **29/467,017**

(22) Filed: **Sep. 13, 2013**

(51) **LOC (10) Cl.** ..... **25-04**

(52) **U.S. Cl.**  
USPC ..... **D25/69**

(58) **Field of Classification Search**  
USPC ..... D25/69; 52/182, 188, 179, 177  
See application file for complete search history.

(56) **References Cited**

U.S. PATENT DOCUMENTS

D341,431 S \* 11/1993 Kniefel et al. .... D25/69  
D424,707 S \* 5/2000 Shackelford ..... D25/69  
D435,117 S \* 12/2000 Johnsson et al. .... D25/69

6,318,033 B1 \* 11/2001 Birch et al. .... 52/182  
7,849,643 B2 \* 12/2010 Kennedy ..... 52/188  
2009/0235594 A1 \* 9/2009 Won ..... 52/179

\* cited by examiner

*Primary Examiner* — Doris Clark

(74) *Attorney, Agent, or Firm* — Whitham Curtis  
Christofferson & Cook, PC

(57) **CLAIM**

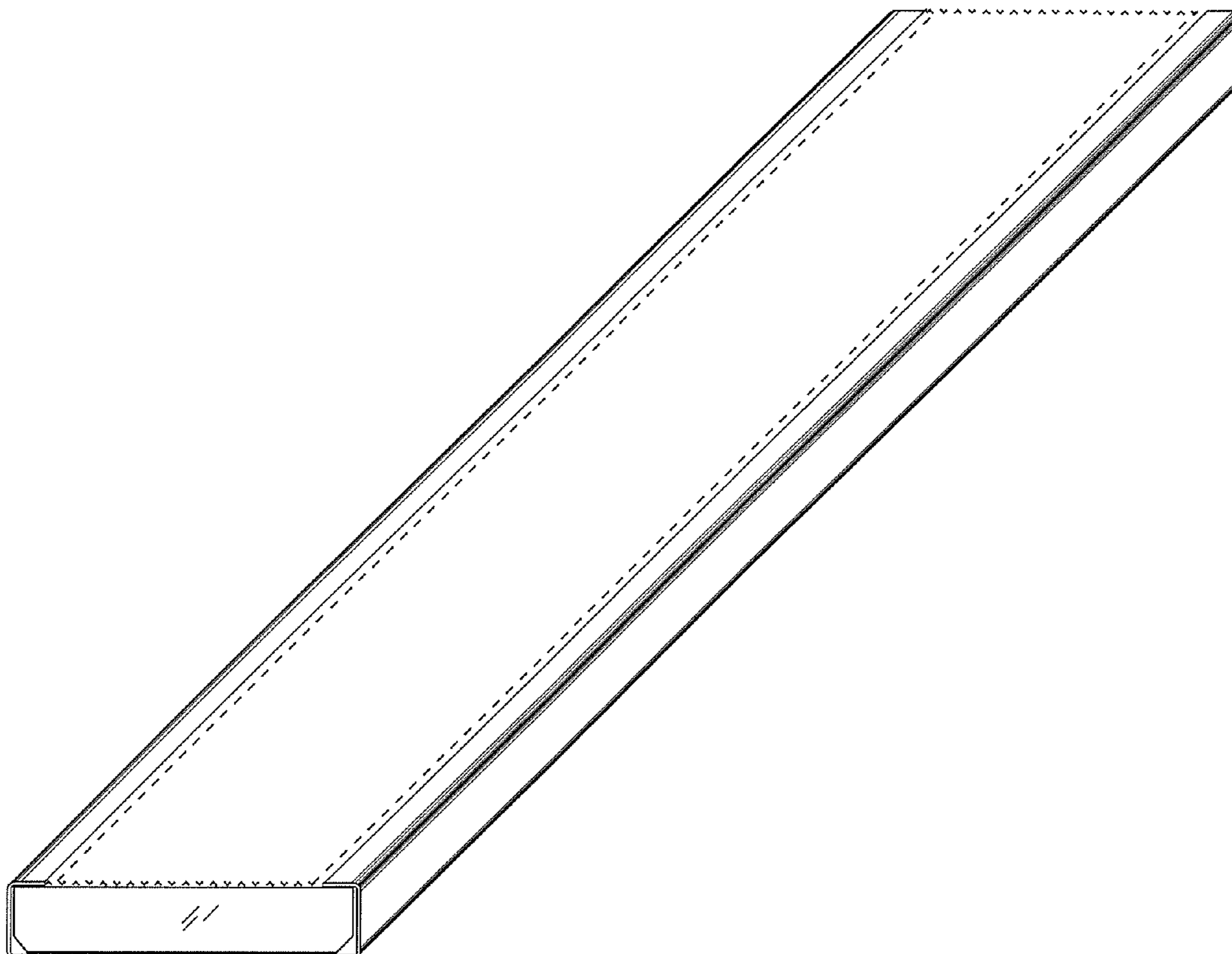
I claim the ornamental design for concrete step, as shown and described.

**DESCRIPTION**

FIG. 1 is a front, left side, top isometric view of the concrete step, a rear, right side, top isometric view being identical; FIG. 2 is a left side elevational view of the concrete step, a right side elevational view being identical; FIG. 3 is a top plan view of the concrete step; FIG. 4 is a bottom plan view of the concrete step; and, FIG. 5 is a front elevational view of the concrete step, a rear elevational view being identical.

The structural features depicted by broken lines have been provided to illustrate portions of the concrete step that form no part of the claimed design.

**1 Claim, 2 Drawing Sheets**



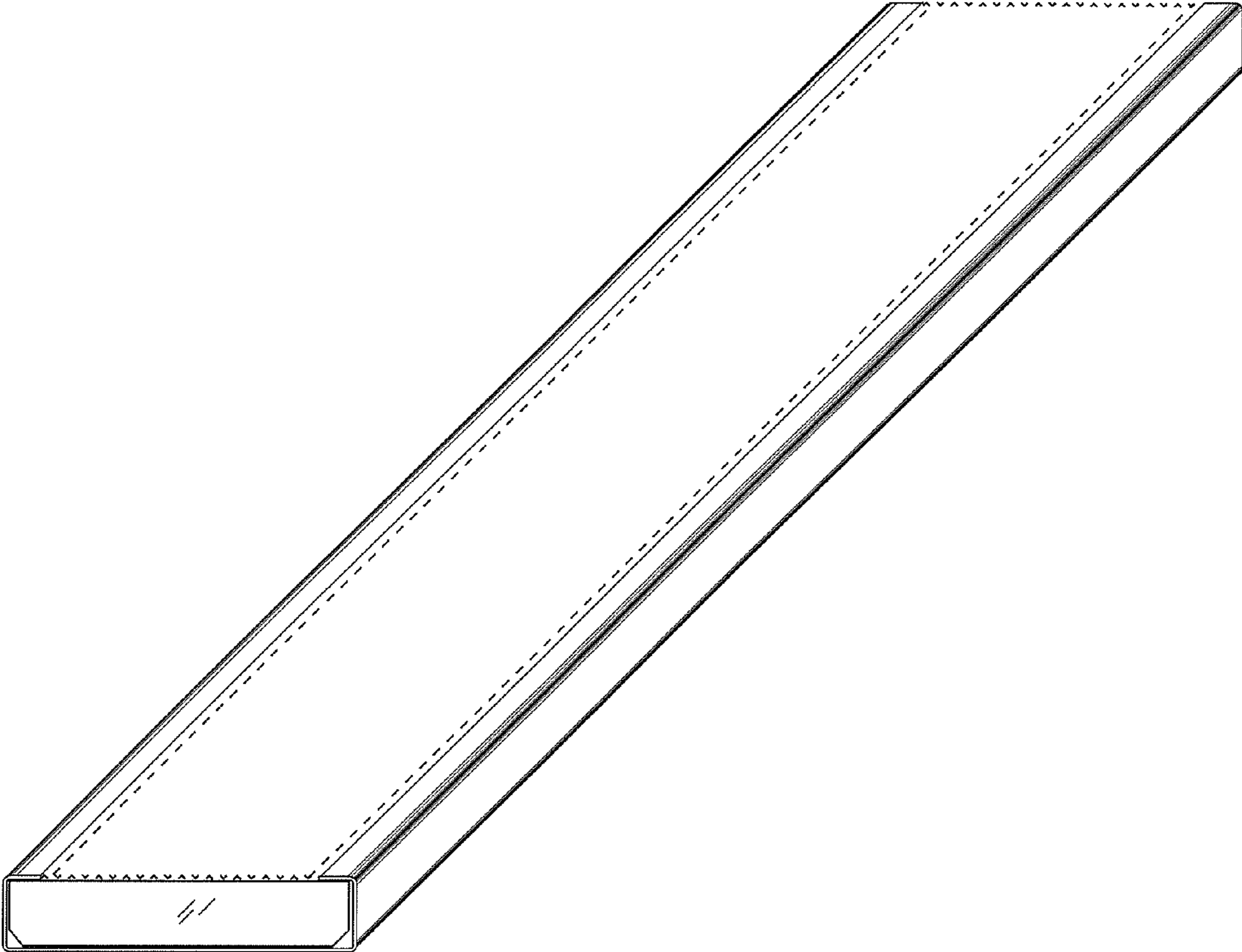


FIGURE 1



FIGURE 2

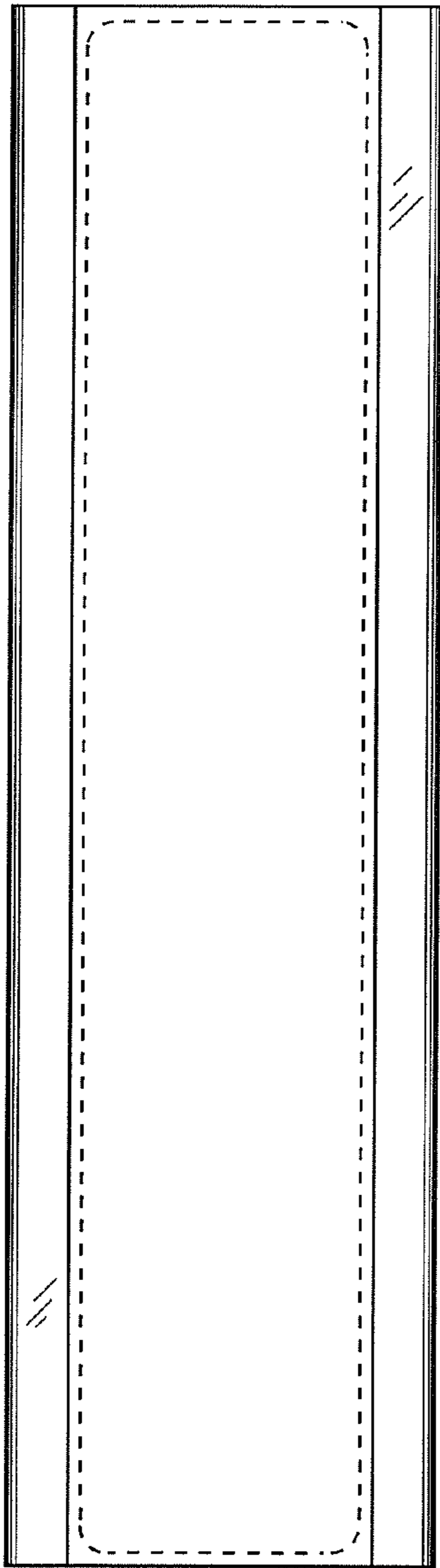


FIGURE 3

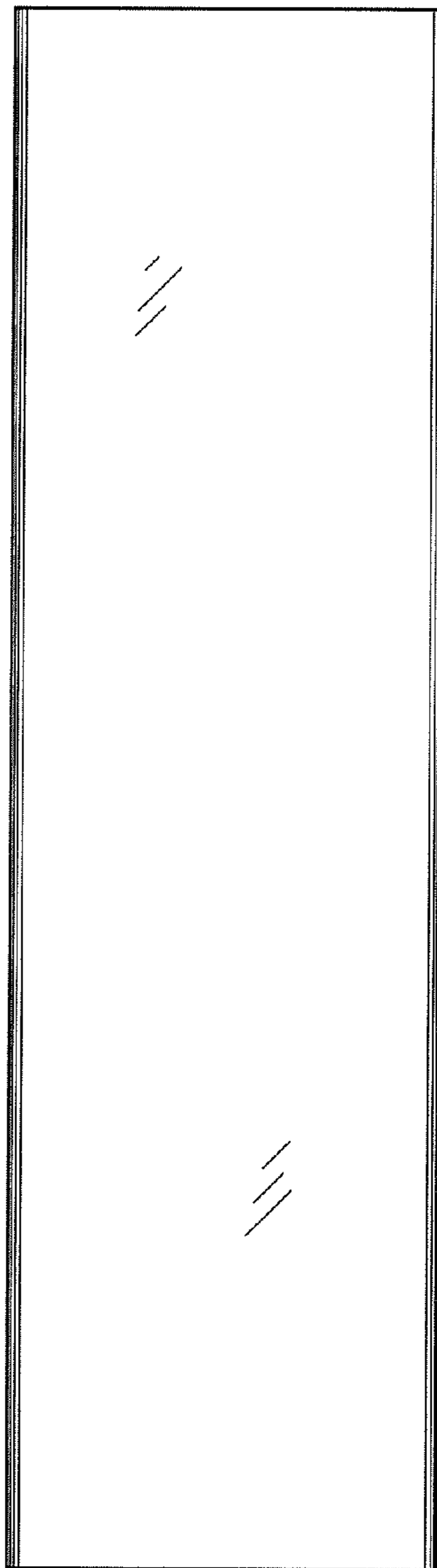


FIGURE 4

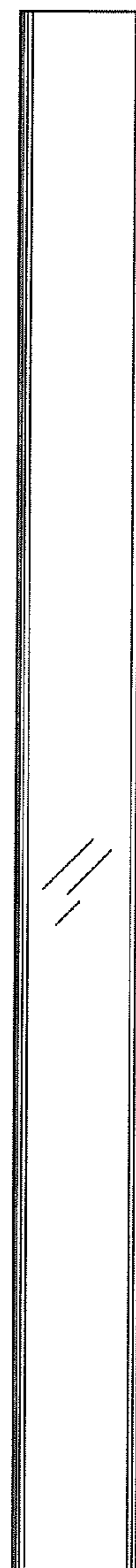


FIGURE 5