



US00D733931S

(12) **United States Design Patent**
Green

(10) **Patent No.:** **US D733,931 S**

(45) **Date of Patent:** **** Jul. 7, 2015**

- (54) **LADDER TOWING APPARATUS**
- (71) Applicant: **LOCK N CLIMB, LLC**, Bartlesville, OK (US)
- (72) Inventor: **Jeffrey Alan Green**, Bartlesville, OK (US)
- (73) Assignee: **LOCK N CLIMB, LLC**, Bartlesville, OK (US)

5,899,296	A *	5/1999	Lantz	182/214
6,450,290	B1	9/2002	Spak		
D485,369	S	1/2004	Ranagan et al.		
D576,290	S	9/2008	Meyers et al.		
D610,709	S	2/2010	Lamb		
7,762,510	B2 *	7/2010	Eller	248/309.1
7,849,963	B1 *	12/2010	D'Agostino	182/129
8,579,345	B2 *	11/2013	LeClaire et al.	294/151
D715,458	S *	10/2014	Collins	D25/68
2007/0227817	A1 *	10/2007	Myers	182/129
2008/0142299	A1 *	6/2008	Berkbuegler	182/108

(**) Term: **14 Years**

(21) Appl. No.: **29/466,543**

(22) Filed: **Sep. 9, 2013**

(51) **LOC (10) Cl.** **25-04**

(52) **U.S. Cl.**
USPC **D25/68**

(58) **Field of Classification Search**
USPC D25/68, 69, 62; 224/264, 255; 182/129,
182/107, 108, 109; 248/682, 690, 210
See application file for complete search history.

(56) **References Cited**

U.S. PATENT DOCUMENTS

3,768,592	A	10/1973	Higgins		
4,569,419	A	2/1986	Stoltz		
D295,222	S	4/1988	Rudolph		
5,112,043	A	5/1992	Gofillian, Jr.		
5,195,610	A	3/1993	Chang		
5,370,204	A	12/1994	Fox		
D359,366	S	6/1995	Spevak		
5,752,581	A	5/1998	Orchowski		
D401,354	S *	11/1998	LaValle	D25/68

* cited by examiner

Primary Examiner — Doris Clark

(74) *Attorney, Agent, or Firm* — Katten Muchin Rosenman LLP

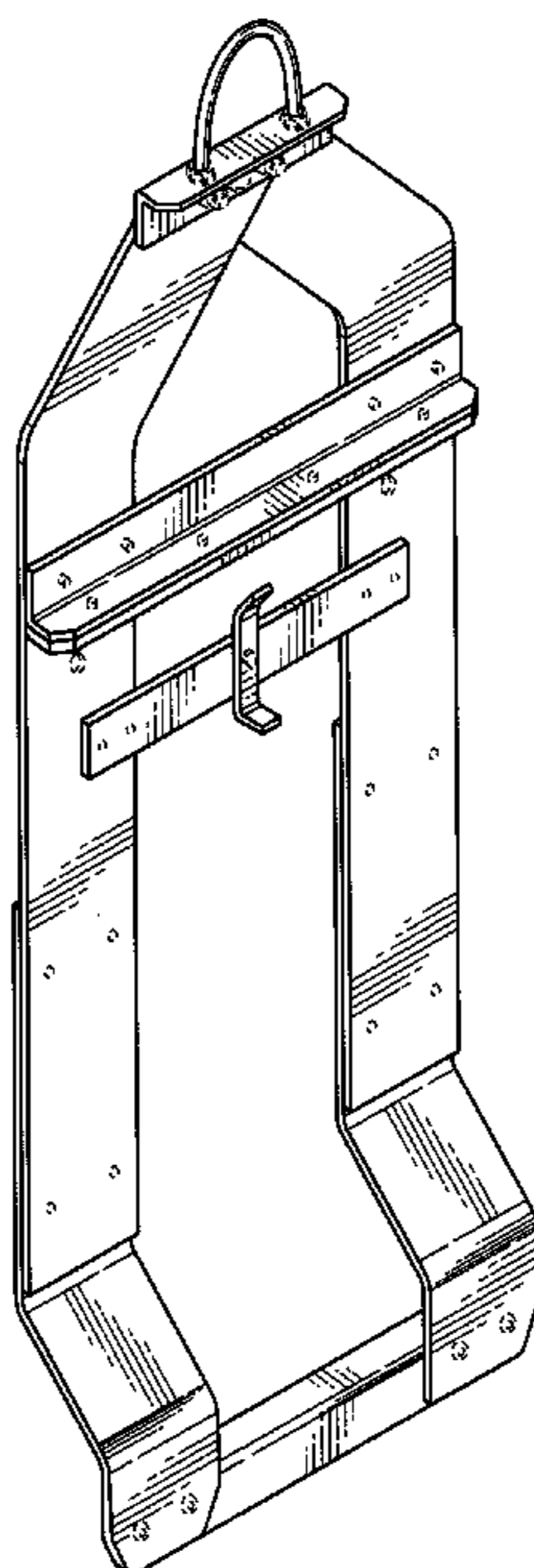
(57) **CLAIM**

The ornamental design for the ladder towing apparatus, as shown and described.

DESCRIPTION

FIG. 1 is a front perspective view of a ladder towing apparatus of the present invention;
FIG. 2 is a frontal view of the ladder towing apparatus;
FIG. 3 is a rear view of the ladder towing apparatus;
FIG. 4 is a first side view of the ladder towing apparatus;
FIG. 5 is a second side view of the ladder towing apparatus;
FIG. 6 is a top view of the ladder towing apparatus; and,
FIG. 7 is a bottom view of the ladder towing apparatus.
The broken lines shown in the views are for illustrative purposes only and form no part of the claimed design.

1 Claim, 3 Drawing Sheets



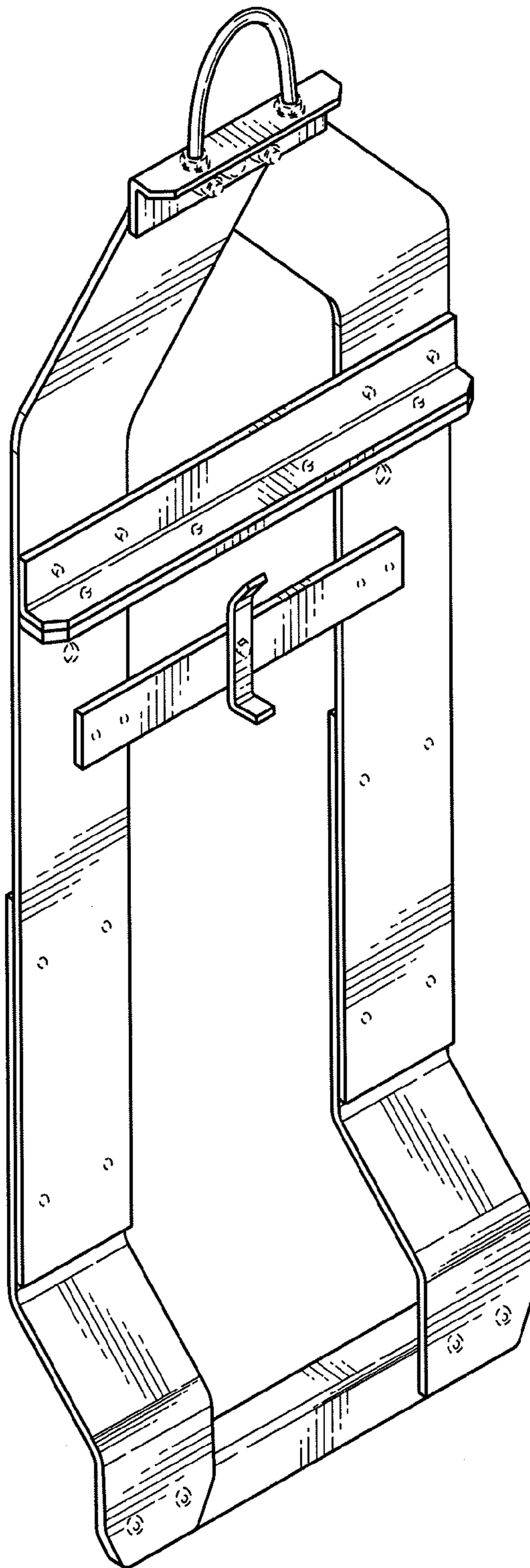


FIG. 1

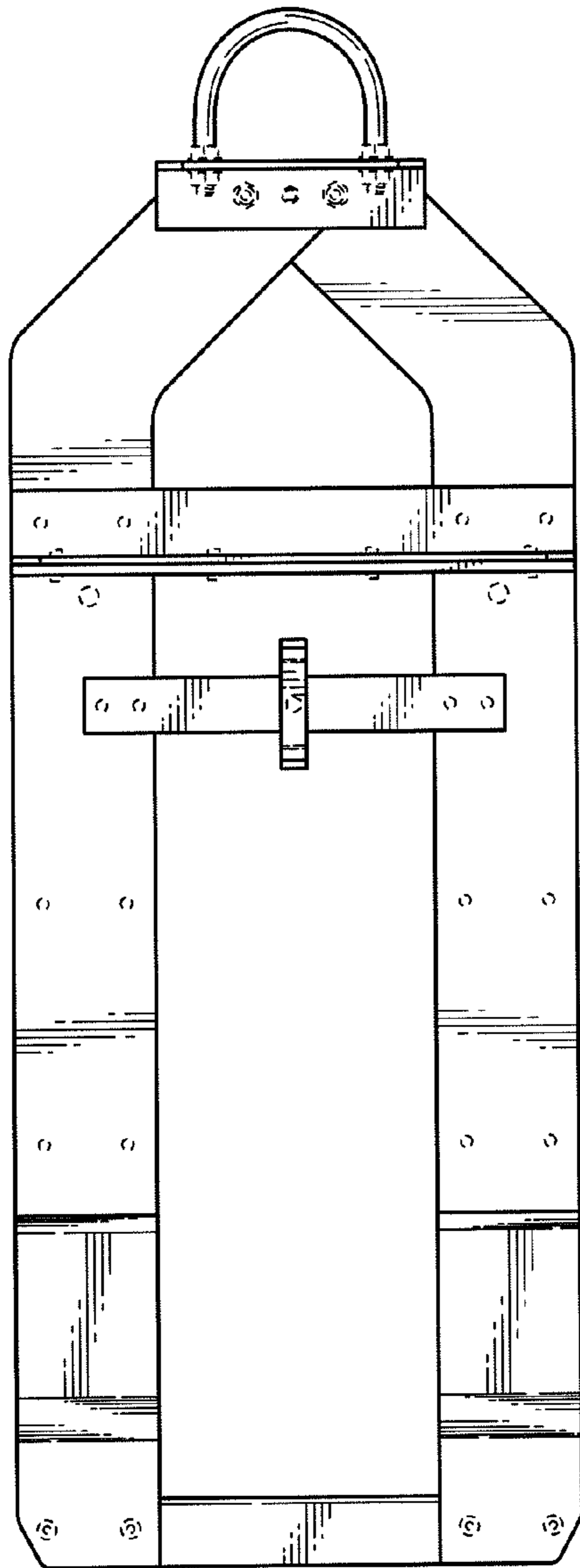


FIG. 2

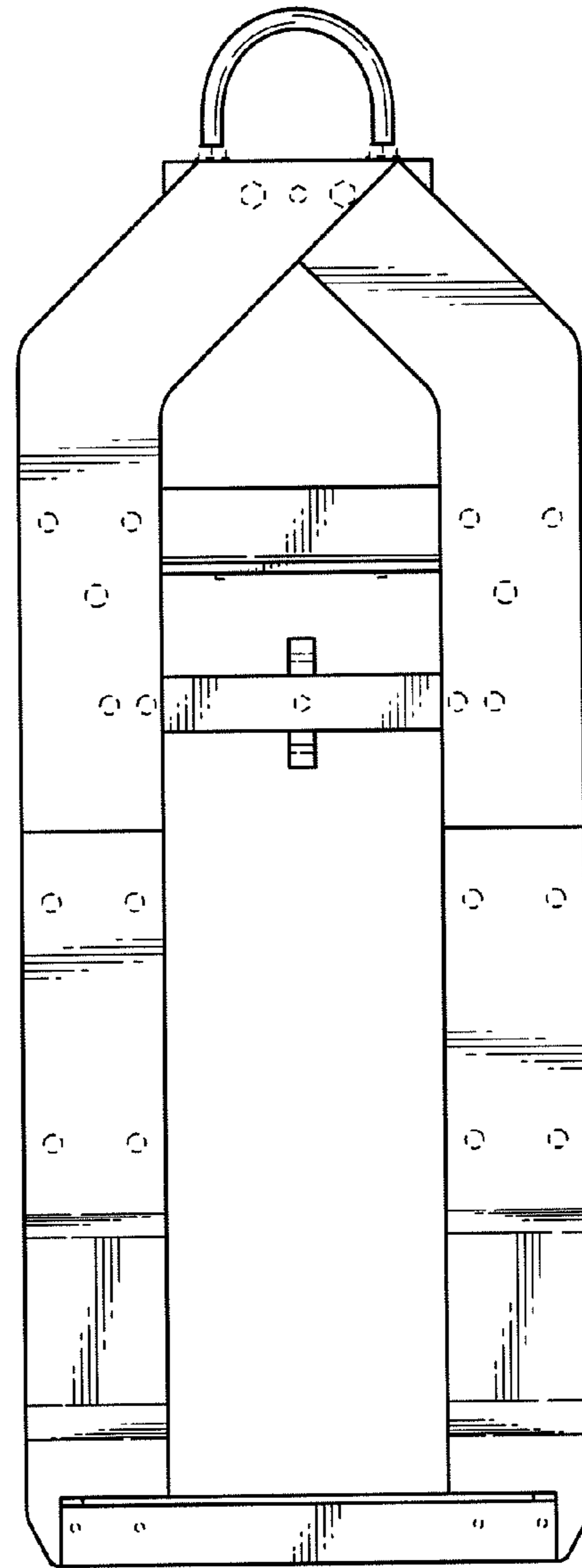


FIG. 3

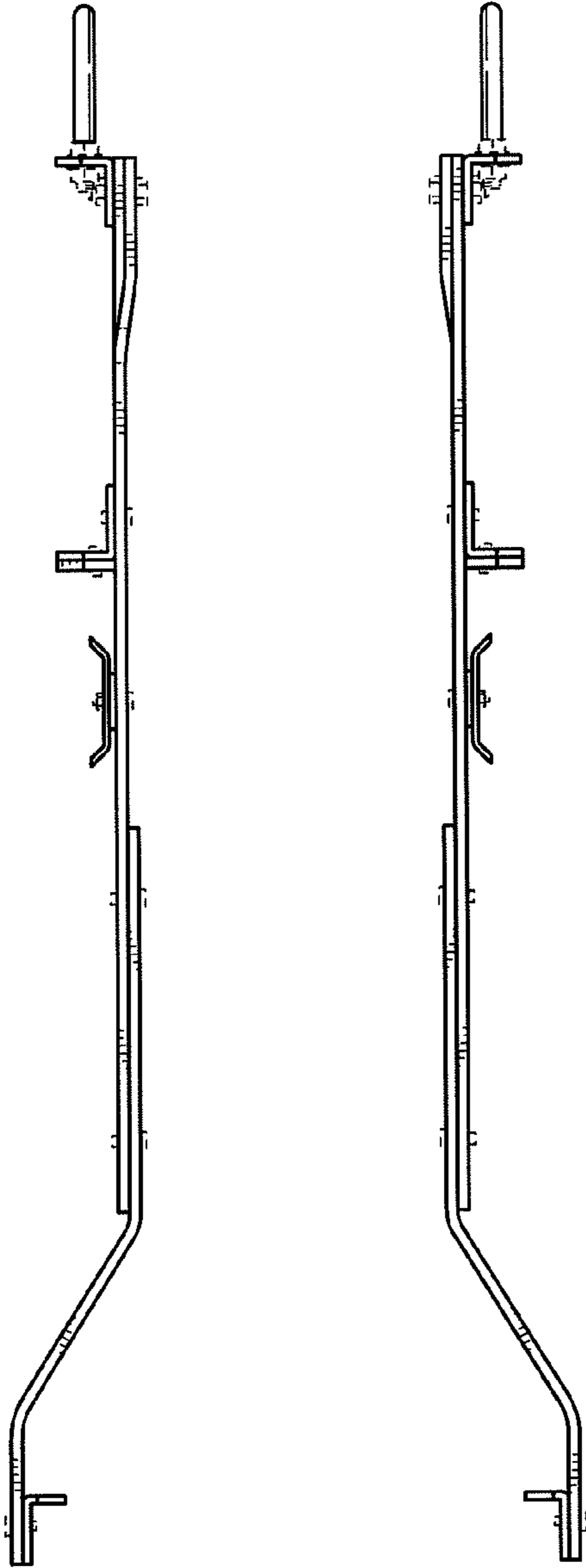


FIG. 4

FIG. 5

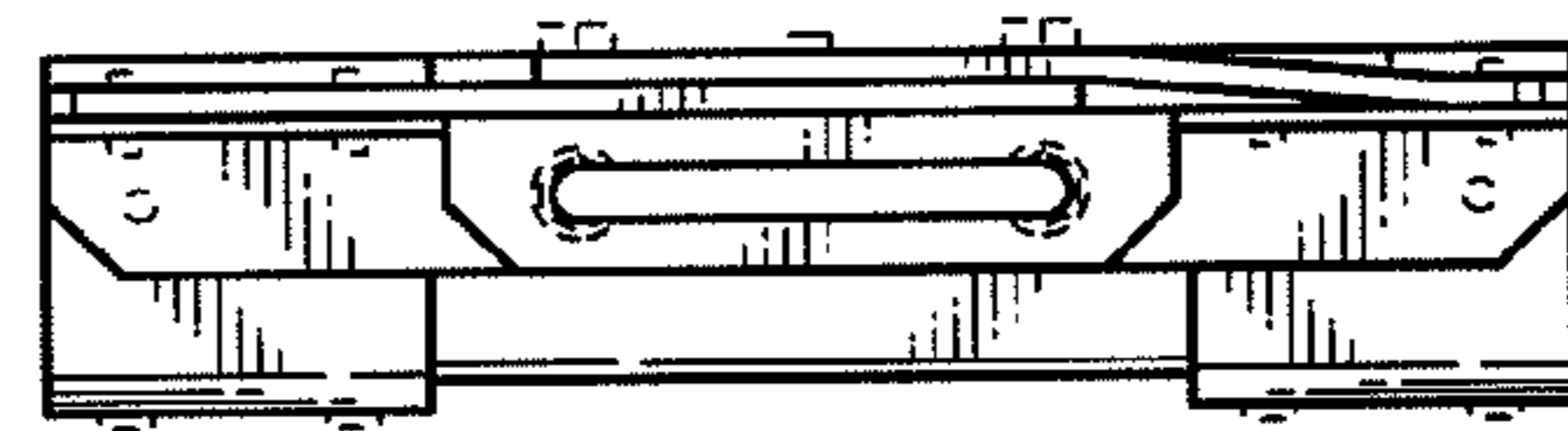


FIG. 6

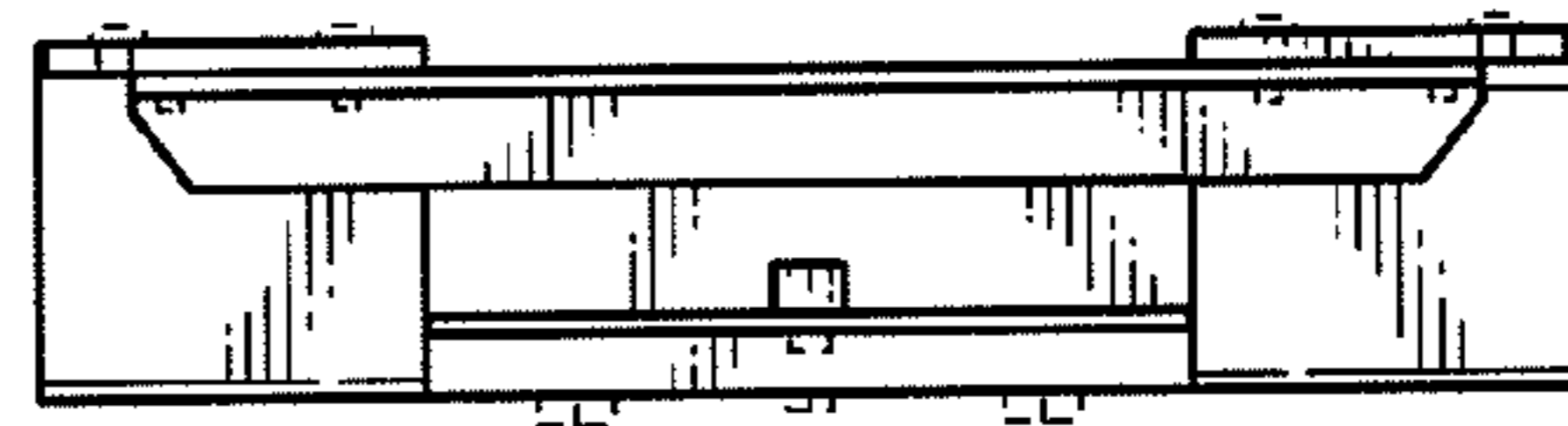


FIG. 7