



US00D733929S

(12) **United States Design Patent**
Alsdorf et al.

(10) **Patent No.:** **US D733,929 S**
(45) **Date of Patent:** **** Jul. 7, 2015**

- (54) **DOOR FACING PROFILE**
- (71) Applicant: **Masonite Corporation**, Tampa, FL (US)
- (72) Inventors: **Shaun Alsdorf**, Tampa, FL (US);
Timothy D. Gouge, Elgin, IL (US);
Robert C. Allen, Elburn, IL (US)
- (73) Assignee: **Masonite Corporation**, Tampa, FL (US)
- (**) Term: **14 Years**
- (21) Appl. No.: **29/479,210**
- (22) Filed: **Jan. 13, 2014**
- (51) **LOC (10) Cl.** **25-02**
- (52) **U.S. Cl.**
USPC **D25/48.3**
- (58) **Field of Classification Search**
USPC D25/300, 48.3, 60; 52/455, 309.9, 313;
256/73; 428/106; D6/703, 703.2, 705,
D6/657, 671, 702
CPC E06B 3/7001; E06B 2003/7019; E06B
3/7017; E06B 3/74; E06B 2003/7049; E06B
3/78; E06B 2003/7096; E06B 3/72; E06B
3/76; E06B 3/822; E06B 2003/7023; E06B
2003/7051; E06B 5/12; Y10T 156/1002;
Y10T 428/24066
See application file for complete search history.

D536,099 S	1/2007	Walsh et al.	
D538,440 S *	3/2007	Walsh et al. D25/48.3
D543,641 S *	5/2007	Walsh et al. D25/48.3
D552,252 S	10/2007	Davina et al.	
D553,755 S	10/2007	Davina et al.	
D576,289 S *	9/2008	Steiber et al. D25/48.3
D587,813 S *	3/2009	Steiber et al. D25/48.3
D588,710 S	3/2009	Walsh et al.	
D598,134 S	8/2009	Davina et al.	
D607,120 S	12/2009	Davina et al.	
D607,121 S	12/2009	Davina et al.	
D614,310 S	4/2010	Davina et al.	
D616,109 S	5/2010	Steiber et al.	
D683,865 S *	6/2013	Walsh et al. D25/48.3
D687,164 S *	7/2013	Walsh et al. D25/48.3
D695,912 S *	12/2013	Walsh et al. D25/48.3
D698,040 S *	1/2014	Walsh et al. D25/48.3
2010/0229500 A1 *	9/2010	Lynch et al. 52/784.13

* cited by examiner

Primary Examiner — Philip S Hyder
Assistant Examiner — Keith Frank
(74) *Attorney, Agent, or Firm* — Berenato & White, LLC

(57) **CLAIM**
The ornamental design for a door facing profile, as shown and described.

DESCRIPTION

FIG. 1 is a front elevational view of our design embodied in a first door facing;
FIG. 2 is a front elevational view of our design embodied in a second door facing;
FIG. 3 is cross-sectional view taken along the lines 3-3 of FIGS. 1 and 2;
FIG. 4 is a fragmentary cross-sectional view taken along the line 4-4 of FIG. 1;
FIG. 5 is an enlarged view of a portion of FIG. 3; and,
FIG. 6 is a fragmentary perspective view of FIG. 4.
The dashed line showing in the various figures is to illustrate environment and forms no part of the claimed design.
The profile of FIGS. 5 and 6 extends continuously about all panels of any associated door facing.

1 Claim, 5 Drawing Sheets

(56) **References Cited**
U.S. PATENT DOCUMENTS

1,018,896 A *	2/1912	Frey 52/455
5,016,414 A	5/1991	Wang	
5,293,726 A	3/1994	Schick	
D467,350 S	12/2002	Jimenez et al.	
D510,771 S *	10/2005	Walsh et al. D25/48.3
D516,226 S	2/2006	Lynch et al.	
7,022,414 B2	4/2006	Davina et al.	
D526,418 S *	8/2006	Walsh et al. D25/48.3
D528,664 S	9/2006	Lynch et al.	
D528,665 S	9/2006	Lynch et al.	
D529,189 S	9/2006	Walsh et al.	

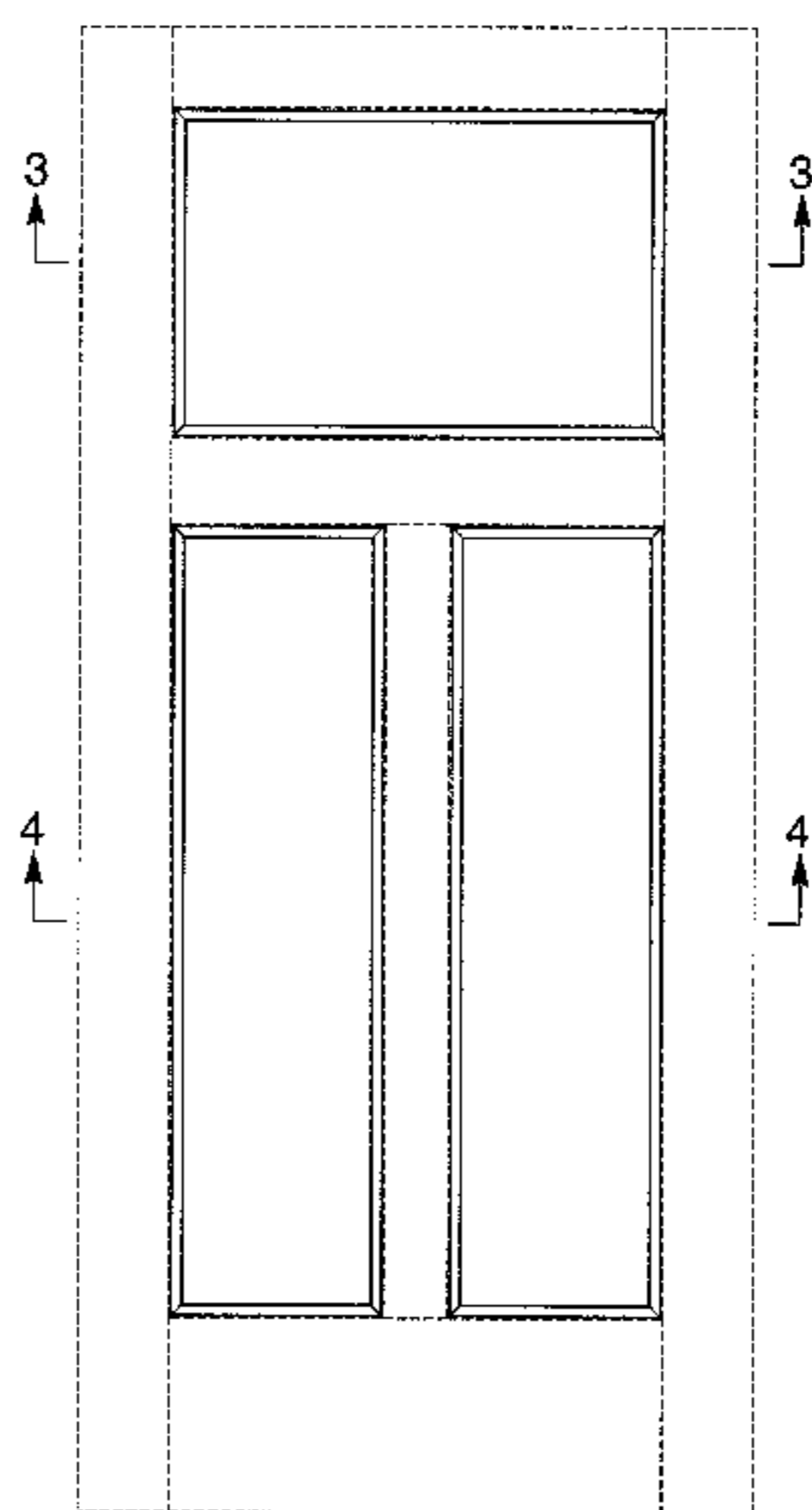


Fig. 1

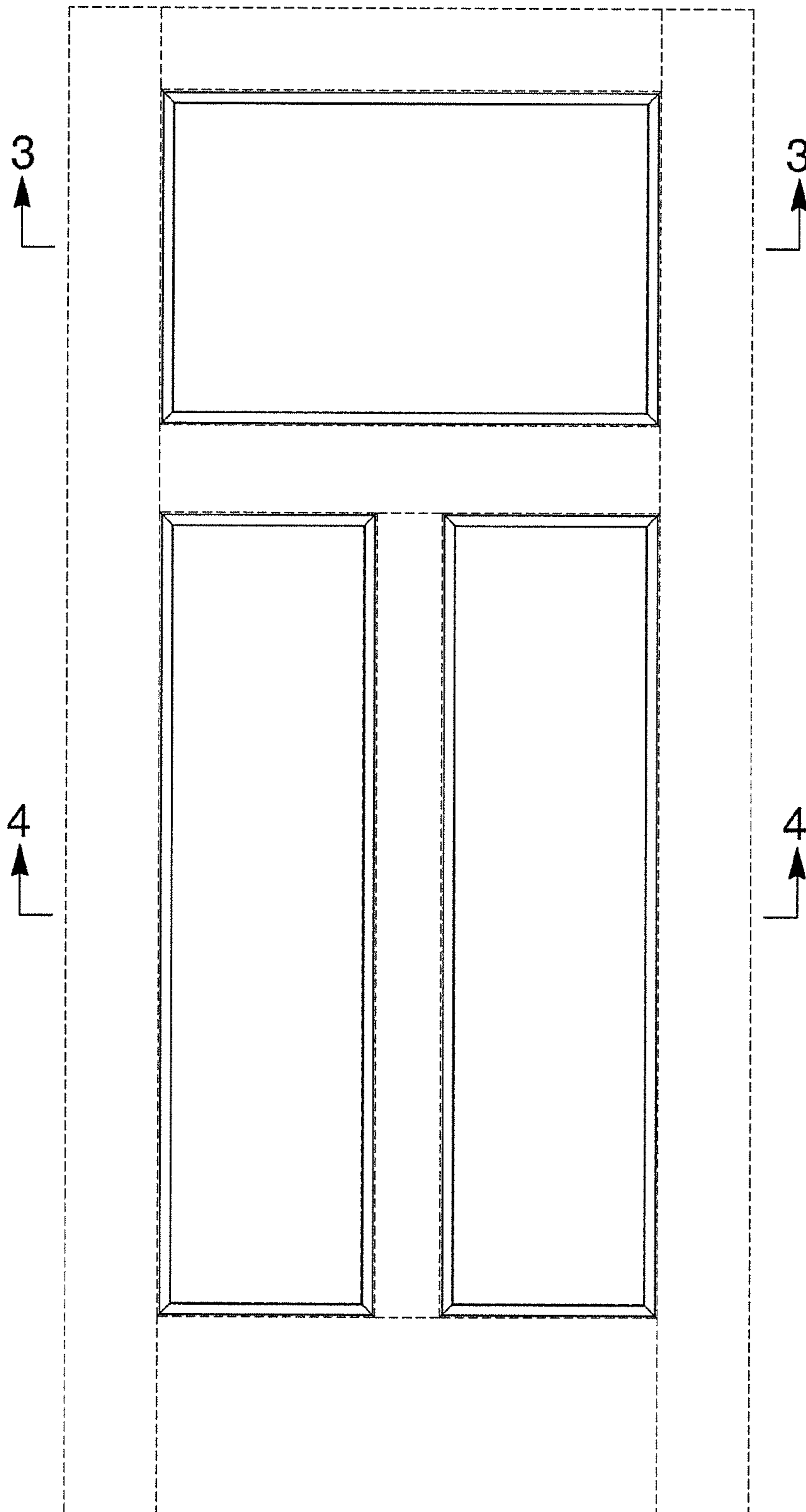


Fig. 2

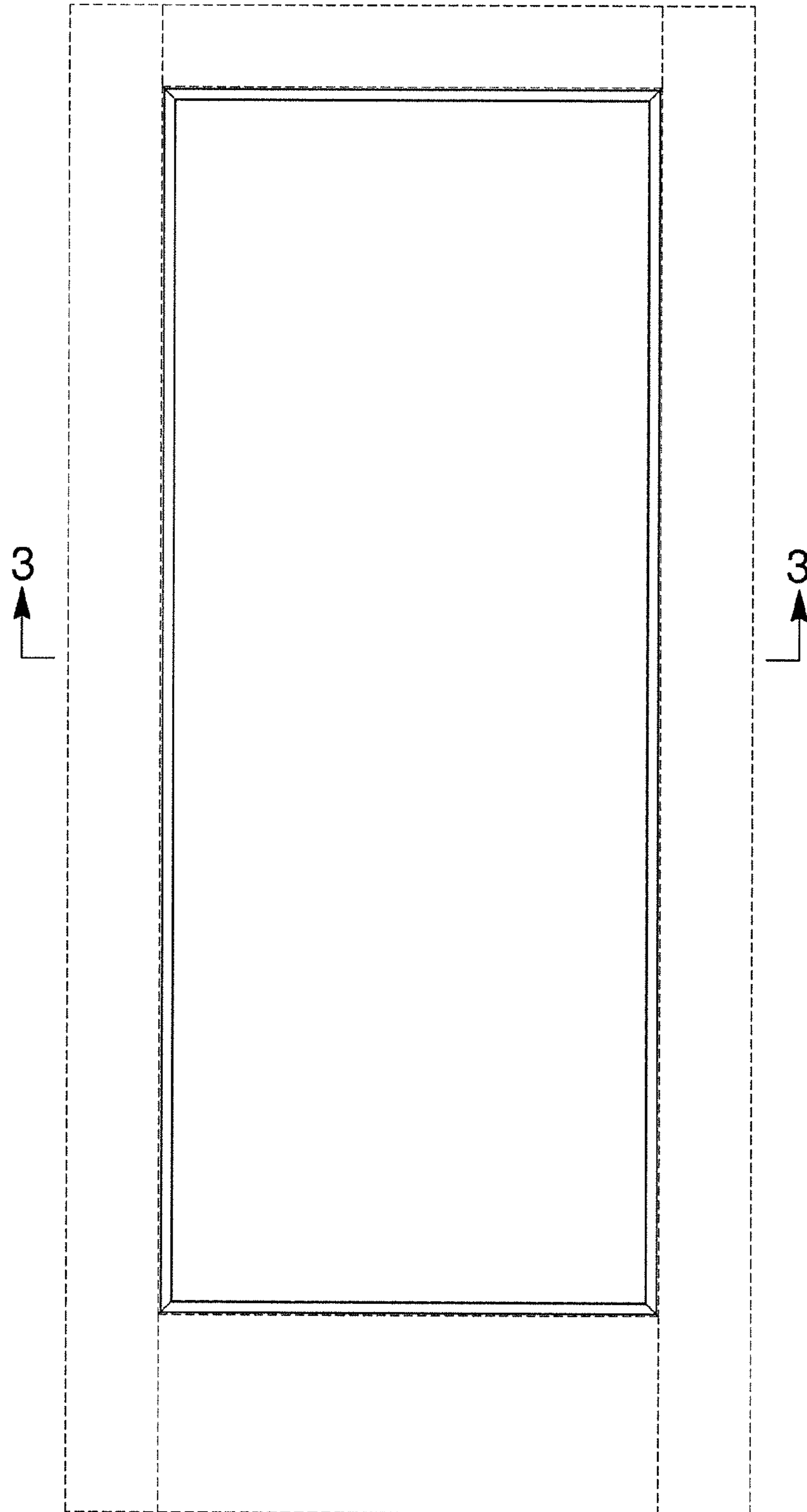


Fig. 3

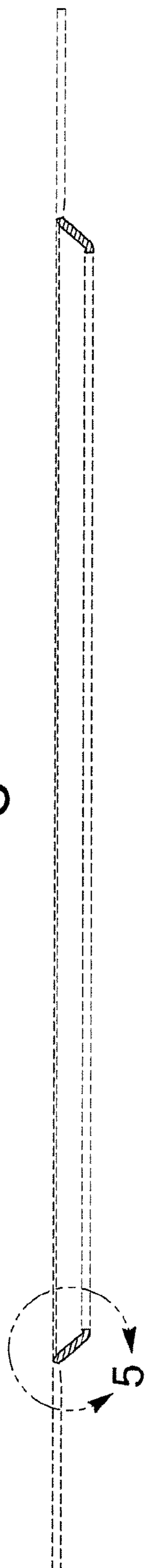


Fig. 4

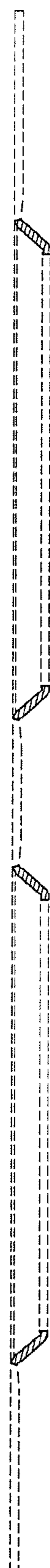


Fig. 5

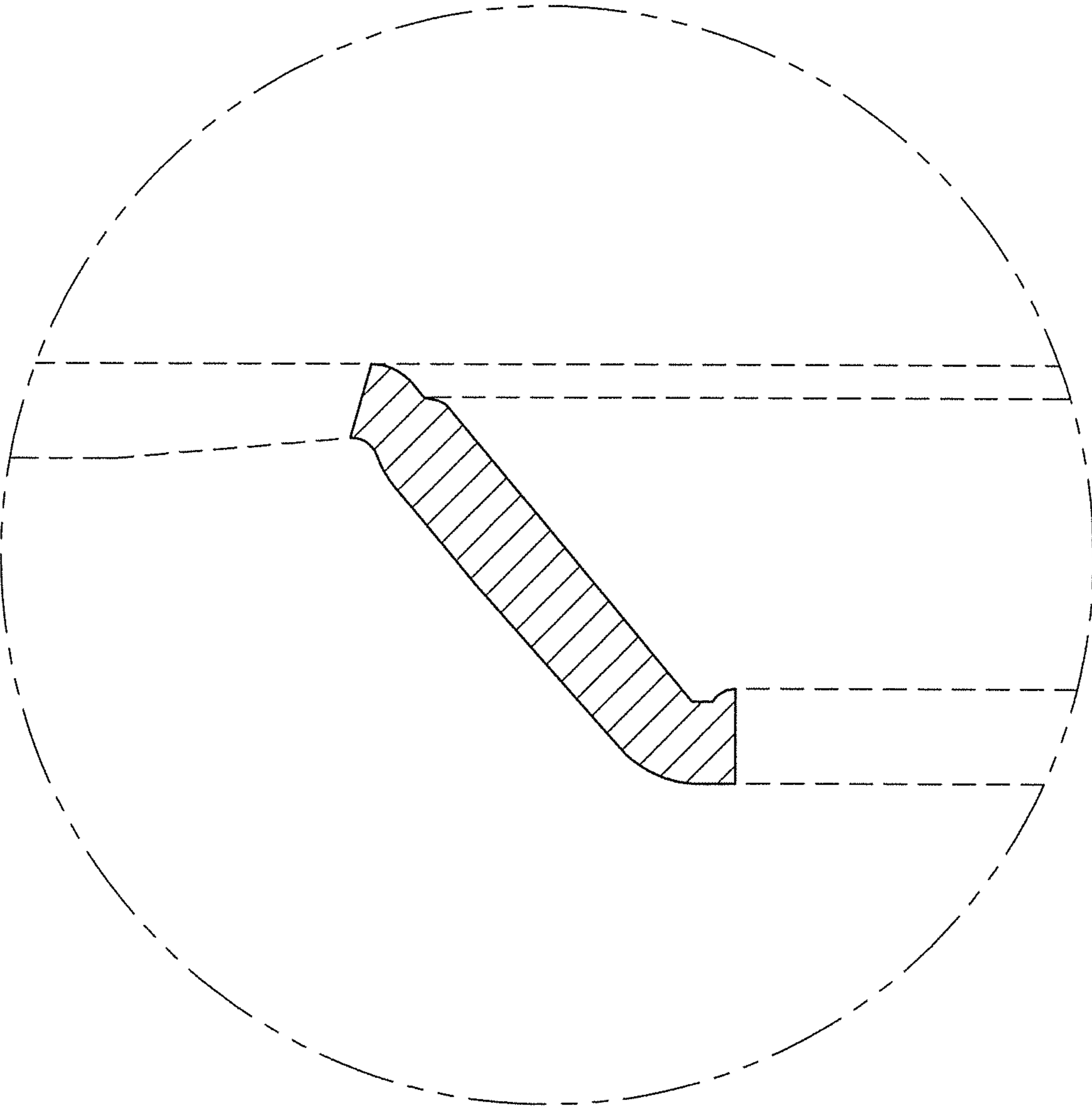


Fig. 6

