



US00D733928S

(12) **United States Design Patent**
Smith et al.

(10) **Patent No.:** **US D733,928 S**
(45) **Date of Patent:** **** Jul. 7, 2015**

- (54) **DOOR SILL**
- (71) Applicant: **Centor Design Pty Ltd**, Eagle Farm (AU)
- (72) Inventors: **Michael Smith**, Hamilton (AU); **Nigel Spork**, Hendra (AU)
- (73) Assignee: **CENTOR DESIGN PTY LTD**, Eagle Farm, QLD (AU)
- (**) Term: **14 Years**
- (21) Appl. No.: **29/477,007**
- (22) Filed: **Dec. 18, 2013**
- (30) **Foreign Application Priority Data**

414,382	A *	11/1889	Dowd	49/468
502,644	A *	8/1893	Vallandingham	49/470
578,273	A *	3/1897	Smith	49/469
600,301	A *	3/1898	Barger	49/469
600,984	A *	3/1898	Wilson	49/468
678,080	A *	7/1901	Wilt	49/469
884,847	A *	4/1908	Oslin	14/69.5
1,320,494	A *	11/1919	Plym	49/470
1,890,672	A *	12/1932	Coco	49/467
1,910,260	A *	5/1933	Reher	49/467
1,936,641	A *	11/1933	Plym	49/470
2,010,609	A *	8/1935	Shogren	49/470
2,129,381	A *	9/1938	Oftedal et al.	49/471
2,496,445	A *	2/1950	Daniels	14/69.5
2,572,154	A *	10/1951	Howard	49/467
2,728,961	A *	1/1956	Lyon	49/469
2,875,481	A *	3/1959	Erkkila	49/467
2,903,757	A *	9/1959	Loehr	49/469
3,153,798	A *	10/1964	Drevitson	14/69.5
3,250,040	A *	5/1966	Squires	49/482.1
3,273,287	A *	9/1966	Pease, Jr.	49/468

(Continued)

- Jun. 20, 2013 (AU) 12853/2013
- (51) **LOC (10) Cl.** **25-02**
- (52) **U.S. Cl.**
- USPC **D25/48.2**

Primary Examiner — Susan Moon Lee
(74) *Attorney, Agent, or Firm* — Well St. John P.S.

- (58) **Field of Classification Search**
- USPC D25/48.2, 48.3, 48.4, 47.1, 48.1, 48.8, D25/55, 59, 60, 125; 49/466-505, 380; 52/204.1, 211, 204.55, 210, 212-214, 52/204.56, 204.71, 204.72, 207, 293.3, 52/205, 741.4, 12, 3, 204.54; 254/88
- CPC ... E06B 3/9632; E06B 3/663; E06B 3/66342; E06B 3/66347; E06B 3/66352; E06B 1/70; E06B 2001/707; E06B 7/14; E06B 7/18; E06B 7/22; E06B 7/26; E06B 7/205; E06B 7/231; E06B 7/2312; E06B 7/2314; E06B 7/2316

(57) **CLAIM**
We claim the ornamental design for a door sill, as shown and described.

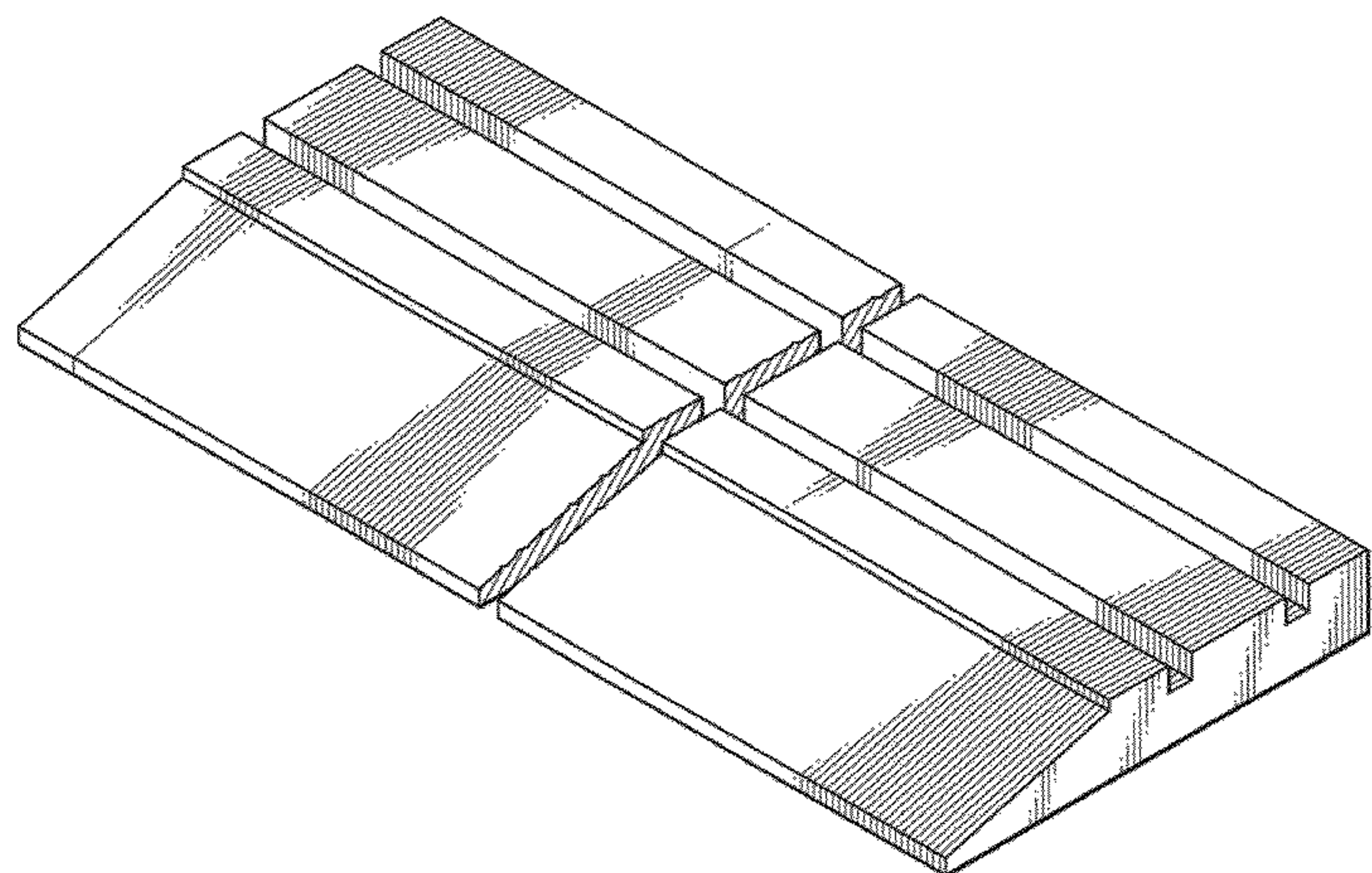
See application file for complete search history.

DESCRIPTION

FIG. 1 is a front perspective view of a door sill;
FIG. 2 is a top plan view thereof;
FIG. 3 is a bottom plan view thereof;
FIG. 4 is a front view thereof;
FIG. 5 is a rear view thereof; and,
FIG. 6 is a side view thereof, the opposite side view having the same configuration.
The door sill of the present design is depicted in a 'broken-away' manner. The appearance of any portion of the article between the break lines forms no part of the claimed design.

- (56) **References Cited**
- U.S. PATENT DOCUMENTS
- 163,224 A * 5/1875 McEy 49/471
- 386,084 A * 7/1888 Pratt et al. 49/468

1 Claim, 4 Drawing Sheets



(56)

References Cited

U.S. PATENT DOCUMENTS

3,410,027	A *	11/1968	Bates	49/471	5,517,788	A *	5/1996	McGough et al.	49/468
3,555,762	A *	1/1971	Costanzo, Jr.	52/588.1	5,611,173	A *	3/1997	Headrick et al.	49/468
3,667,164	A *	6/1972	Coppins	49/469	5,673,517	A *	10/1997	Stanclift	49/468
3,851,420	A *	12/1974	Tibbetts	49/471	D401,361	S *	11/1998	Mitchell	D25/138
4,079,550	A *	3/1978	Bursk et al.	49/467	6,038,821	A *	3/2000	Larson et al.	52/97
4,310,991	A *	1/1982	Seely	49/470	6,041,560	A *	3/2000	Larson et al.	52/204.54
4,329,752	A *	5/1982	Forrest	14/69.5	6,216,395	B1 *	4/2001	Kelly	49/467
4,411,104	A *	10/1983	St. Aubin	49/470	D447,574	S *	9/2001	Fening	D25/119
4,513,536	A *	4/1985	Giguere	49/470	6,718,588	B1 *	4/2004	Frederiksen	14/69.5
4,686,793	A *	8/1987	Mills	49/471	D502,556	S *	3/2005	Zimmerle et al.	D25/138
4,697,294	A *	10/1987	Schafer	14/69.5	D514,236	S *	1/2006	Glatz	D25/136
4,817,224	A *	4/1989	Visnaw et al.	14/69.5	D532,115	S *	11/2006	Shuman et al.	D25/55
4,831,779	A *	5/1989	Kehrli et al.	49/471	D549,850	S *	8/2007	Perlman	D25/119
4,922,661	A *	5/1990	Dallaire et al.	49/504	7,263,808	B2 *	9/2007	Massey et al.	52/204.1
5,018,307	A *	5/1991	Burrous et al.	49/471	7,640,706	B2 *	1/2010	Stanchfield	52/464
5,067,279	A *	11/1991	Hagemeyer	49/471	7,900,294	B2 *	3/2011	Luxton et al.	4/604
5,136,814	A *	8/1992	Headrick	49/468	7,950,094	B2 *	5/2011	Bailie et al.	14/69.5
5,179,804	A *	1/1993	Young	49/471	D665,513	S *	8/2012	Engel	D25/113
D340,534	S *	10/1993	McConnell et al.	D25/119	D676,157	S *	2/2013	Johnston	D25/124
5,283,977	A *	2/1994	Smith	49/380	8,528,285	B2 *	9/2013	Kornfalt	52/395
D345,218	S *	3/1994	Haskins	D25/60	8,539,731	B2 *	9/2013	Stanchfield	52/716.6
5,341,600	A *	8/1994	Heppner	49/471	8,857,107	B1 *	10/2014	Key	49/460
5,444,885	A *	8/1995	Hanrahan et al.	14/69.5	2002/0194787	A1 *	12/2002	Bennett	49/467
5,446,937	A *	9/1995	Haskins	14/69.5	2004/0200153	A1 *	10/2004	Khanlarian	49/468
5,469,665	A *	11/1995	Biebuyck	49/470	2006/0174545	A1 *	8/2006	Young	49/468
5,469,666	A *	11/1995	Lewis, Jr.	49/471	2008/0282626	A1 *	11/2008	Powers, Jr.	52/204.1
					2009/0165406	A1 *	7/2009	Campbell et al.	52/211
					2012/0047808	A1 *	3/2012	Davidson	49/381

* cited by examiner

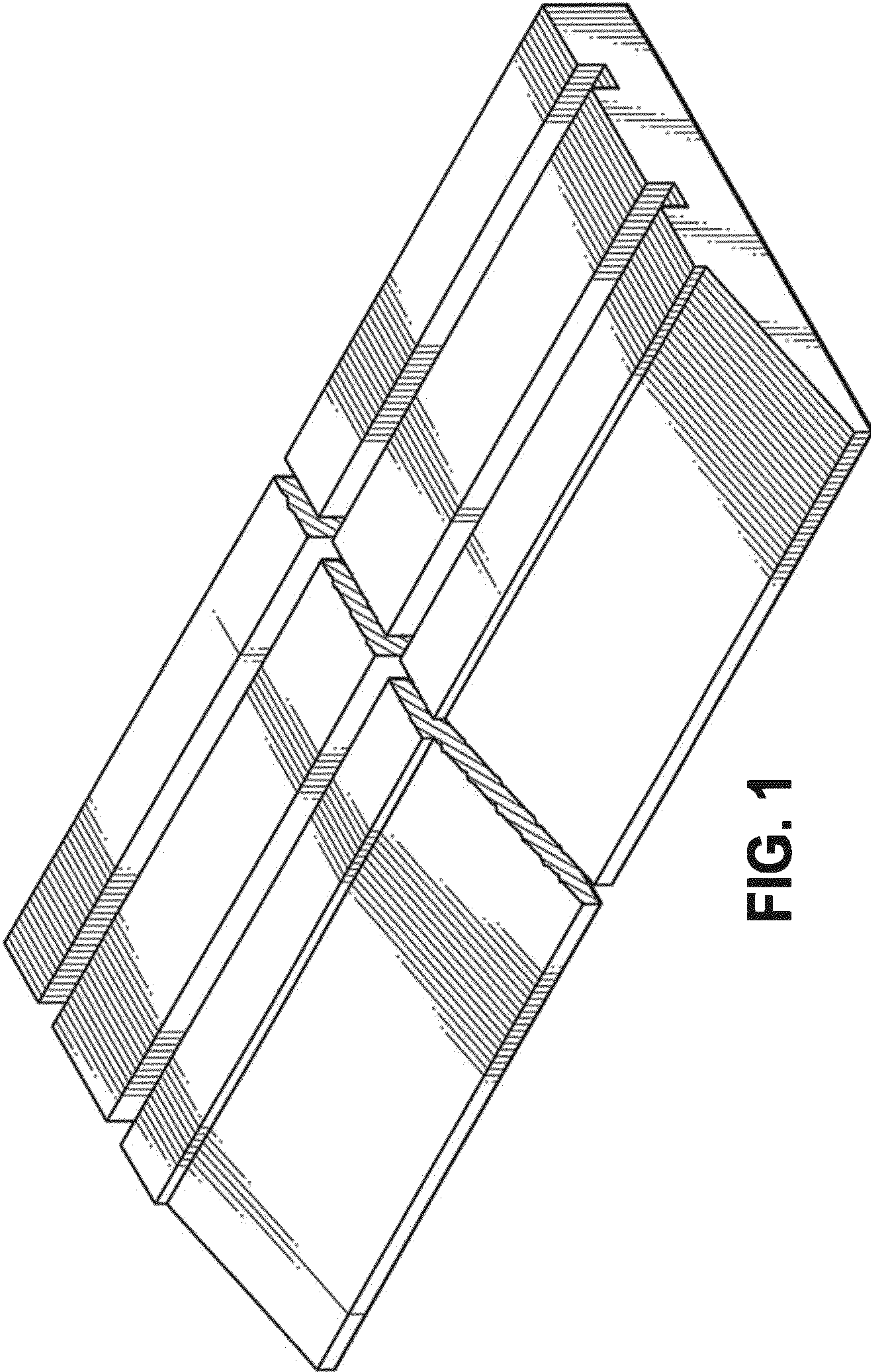


FIG. 1

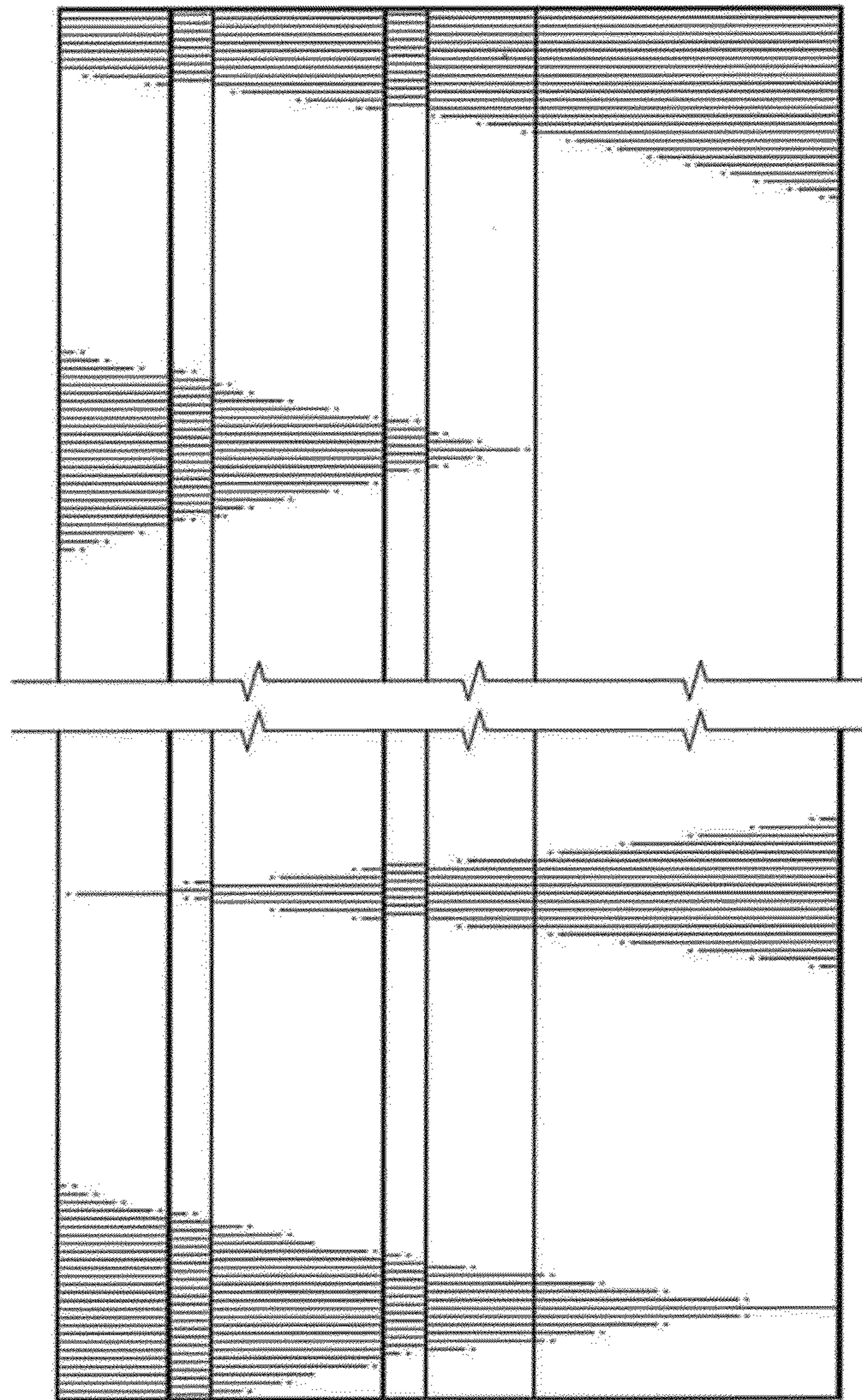


FIG. 2

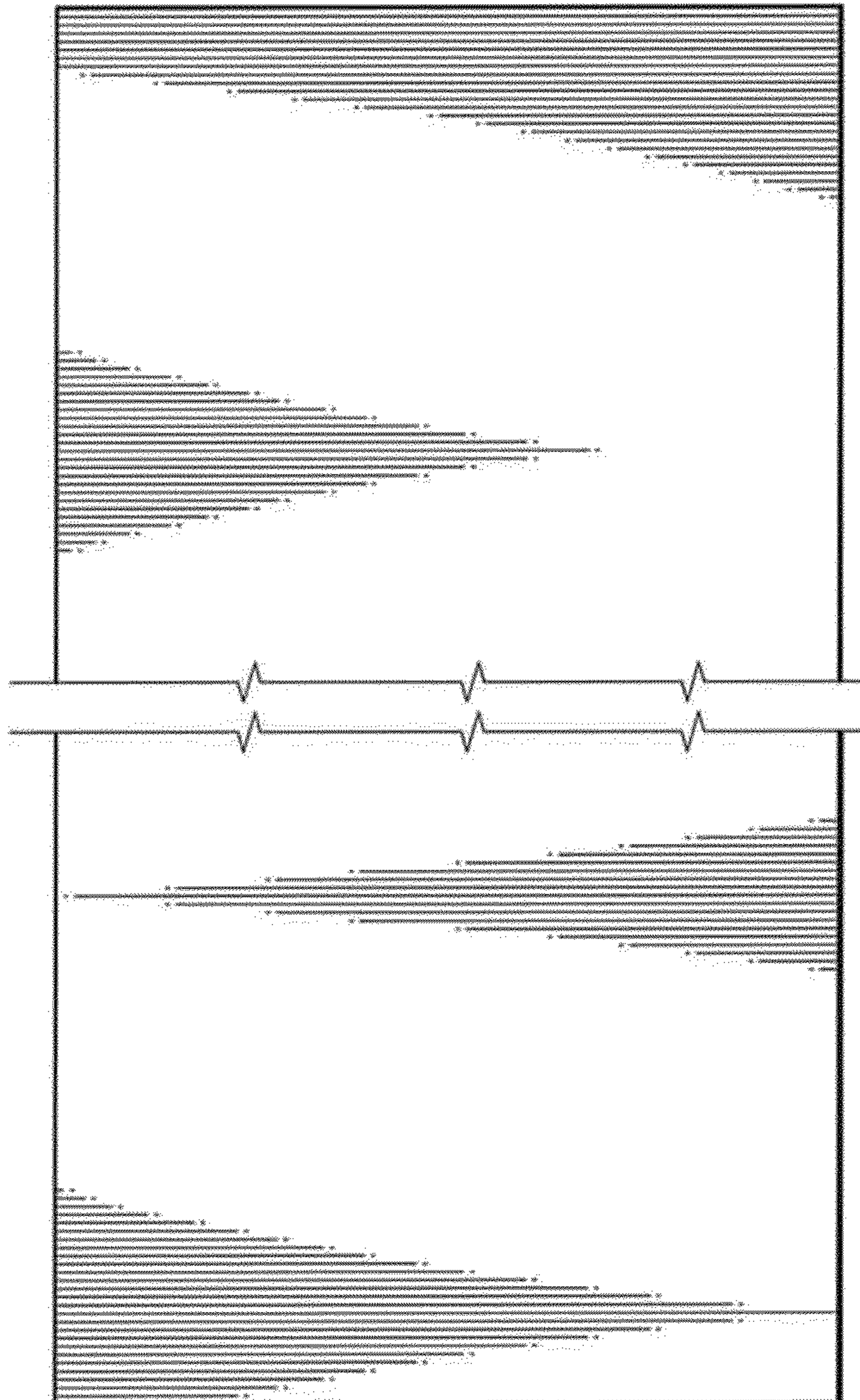


FIG. 3

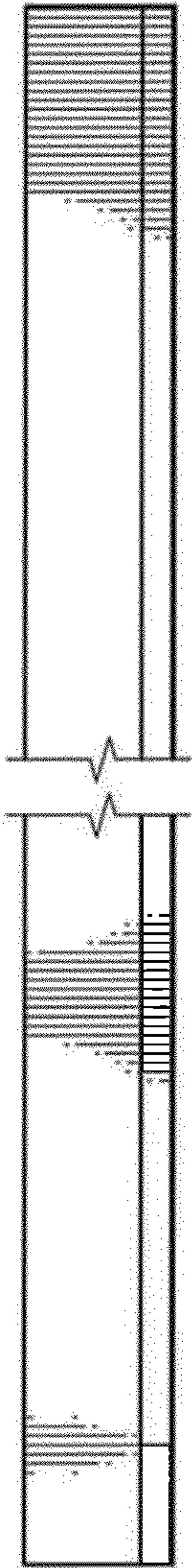


FIG. 4

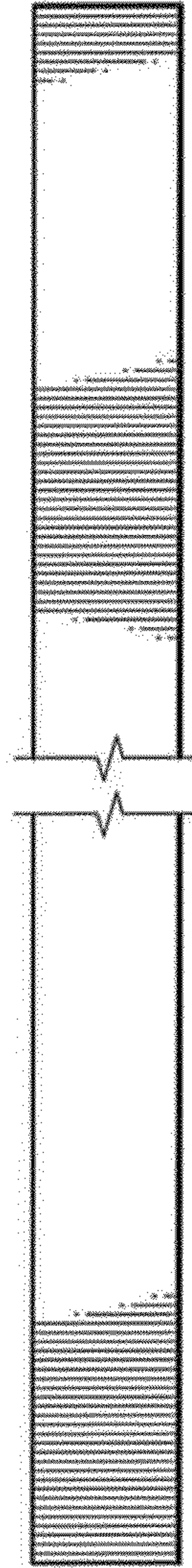


FIG. 5

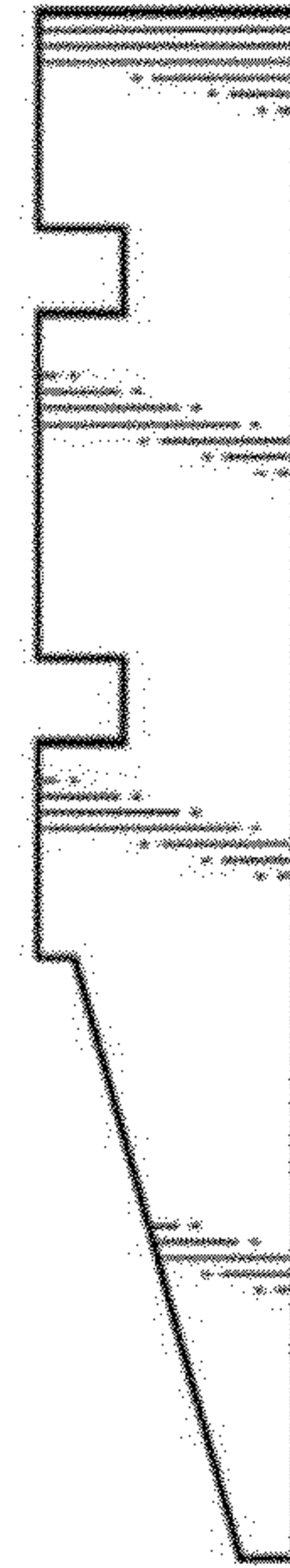


FIG. 6