



US00D733927S

(12) **United States Design Patent**
Van Camp

(10) **Patent No.:** **US D733,927 S**
(45) **Date of Patent:** **** Jul. 7, 2015**

- (54) **THRESHOLD DECK CLIP**
- (71) Applicant: **Endura Products, Inc.**, Colfax, NC
(US)
- (72) Inventor: **Brent Van Camp**, Kernersville, NC
(US)
- (73) Assignee: **Endura Products, Inc.**, Colfax, NC
(US)
- (**) Term: **14 Years**
- (21) Appl. No.: **29/466,166**
- (22) Filed: **Sep. 5, 2013**
- (51) **LOC (10) Cl.** **25-02**
- (52) **U.S. Cl.**
USPC **D25/48.2**
- (58) **Field of Classification Search**
USPC D25/48.2; 49/467, 472, 475.1, 492.1,
49/496.1
See application file for complete search history.

- 4,352,258 A 10/1982 Bursk et al.
- 4,399,636 A 8/1983 Blackwell
- 4,411,104 A 10/1983 Aubin
- 4,447,987 A 5/1984 Lesosky
- 4,473,981 A 10/1984 Simpson
- 4,513,536 A 4/1985 Giguere
- 4,578,905 A 4/1986 Hout
- 4,631,866 A 12/1986 Otto et al.
- 4,831,779 A 5/1989 Kehrl et al.

(Continued)

OTHER PUBLICATIONS

Application as filed (U.S. Appl. No. 10/683,312, filed Oct. 10, 2003);
Final Office Action, mailed Jan. 11, 2008; Notice of Abandonment,
mailed Jul. 25, 2008, 30 pgs.

(Continued)

Primary Examiner — Doris Clark
(74) *Attorney, Agent, or Firm* — Womble Carlyle Sandridge
& Rice, LLP

(57) **CLAIM**
The ornamental design for a threshold deck clip, as shown and
described.

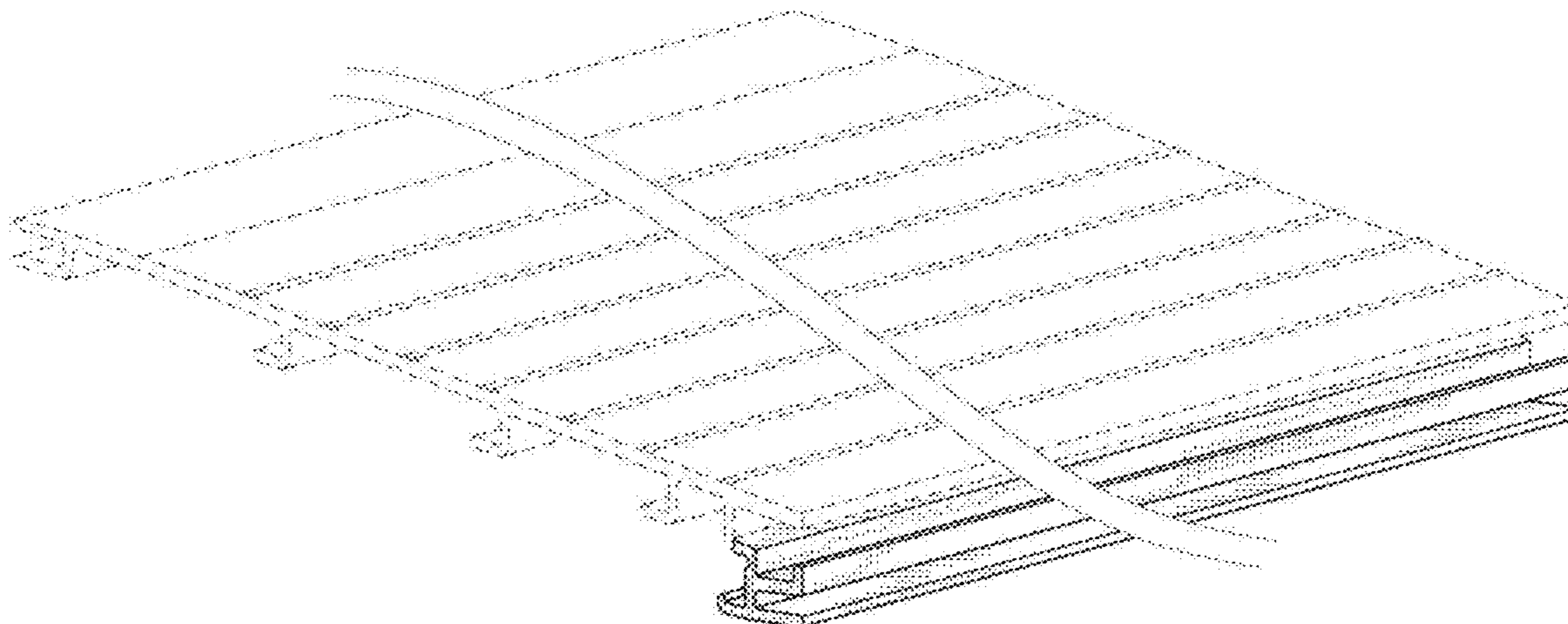
(56) **References Cited**
U.S. PATENT DOCUMENTS

- 1,910,260 A 5/1933 Reher
- 2,089,380 A 8/1937 Kammerer
- 2,848,766 A 8/1958 Fulton
- 3,032,837 A 5/1962 Ramsey
- 3,032,839 A 5/1962 Miller
- 3,402,512 A 9/1968 Peterson
- 3,521,404 A 7/1970 Hager et al.
- 3,762,100 A 10/1973 Kempel
- 3,774,343 A 11/1973 Cribben et al.
- 3,962,828 A 6/1976 McAllister
- 4,055,917 A 11/1977 Coller
- 4,079,550 A 3/1978 Bursk et al.
- 4,156,325 A 5/1979 McMullen et al.
- 4,222,200 A 9/1980 Beimes
- 4,224,766 A 9/1980 Procton
- 4,237,664 A 12/1980 Wilmes
- 4,287,684 A 9/1981 McKann
- 4,310,991 A 1/1982 Seely

DESCRIPTION

FIG. 1 is a top left perspective view of my new design with
environmental elements;
FIG. 2 is a left side profile view of my new design with
environmental elements, the right side profile being a mirror
image thereof; and,
FIG. 3 is a detailed close-up view of the left side profile of my
new design.
The views of the threshold deck clip not shown form no part
of the claimed design. The dash-dot lines in the Figures
immediately adjacent to the shaded area represent unclaimed
boundaries of the design. The dash-dash lines elsewhere in
the Figures refer to environmental elements only and form no
part of the claimed design. The wavy break lines in FIG. 1
indicates indefinite length.

1 Claim, 3 Drawing Sheets



(56)

References Cited

U.S. PATENT DOCUMENTS

4,945,680 A 8/1990 Giguere
 4,956,952 A 9/1990 Bancroft
 5,012,614 A 5/1991 Shea
 5,136,814 A 8/1992 Headrick
 5,230,181 A 7/1993 Geoffrey et al.
 5,283,977 A 2/1994 Smith
 D354,572 S * 1/1995 Headrick D25/48.2
 5,426,894 A 6/1995 Headrick
 5,517,788 A 5/1996 McGough et al.
 5,524,391 A 6/1996 Joffe et al.
 5,588,266 A 12/1996 Headrick
 5,611,173 A 3/1997 Headrick et al.
 5,638,641 A 6/1997 Joffe et al.
 5,673,517 A 10/1997 Stanclift
 5,943,825 A 8/1999 Procton et al.
 6,006,375 A 12/1999 Carr
 6,044,600 A 4/2000 McCollough
 6,052,949 A 4/2000 Procton et al.
 6,138,413 A 10/2000 Fehr
 6,185,870 B1 2/2001 Mettler
 6,216,395 B1 4/2001 Kelly
 6,269,591 B1 8/2001 Kelly
 6,289,635 B1 9/2001 Procton et al.
 6,367,201 B1 4/2002 Massey et al.
 6,371,188 B1 4/2002 Baczuk et al.
 6,484,446 B2 11/2002 Young
 6,625,941 B2 9/2003 Shaw
 6,763,639 B2 7/2004 Bennett et al.
 6,789,358 B2 9/2004 Procton et al.
 6,829,864 B2 12/2004 Mitchell et al.
 7,111,433 B2 9/2006 Kerscher
 7,263,808 B2 9/2007 Massey et al.
 7,266,929 B1 9/2007 Allred et al.
 7,350,336 B2 4/2008 Bennett
 7,389,611 B2 6/2008 Palenske
 7,472,516 B2 1/2009 Pepper et al.
 7,536,833 B2 5/2009 Baczuk et al.
 7,600,346 B2 10/2009 Meeks
 7,694,471 B2 4/2010 Meeks et al.
 7,775,011 B2 8/2010 Baczuk et al.

7,788,863 B2 9/2010 Pepper et al.
 D638,143 S 5/2011 Procton et al.
 8,061,086 B2 11/2011 Haun
 8,413,383 B2 4/2013 Van Camp et al.
 8,490,332 B2 7/2013 Van Camp et al.
 2002/0129557 A1 9/2002 Young
 2002/0194787 A1 12/2002 Bennett
 2003/0126826 A1 7/2003 Marshall et al.
 2004/0128925 A1 7/2004 Massey
 2004/0139667 A1 7/2004 Massey et al.
 2004/0200152 A1 10/2004 Khanlarian
 2004/0200153 A1 10/2004 Khanlarian
 2005/0210754 A1 9/2005 Ferrell
 2006/0053695 A1 3/2006 Palenske
 2006/0096190 A1 5/2006 Baczuk et al.
 2006/0112644 A1 6/2006 Pepper et al.
 2006/0174545 A1 8/2006 Young
 2006/0225364 A1 10/2006 Chen
 2008/0120914 A1 5/2008 Fink et al.
 2008/0172957 A1 7/2008 Kerscher
 2008/0229669 A1 9/2008 Abdollahzadeh
 2012/0047808 A1 3/2012 Davidson
 2013/0047518 A1 2/2013 Van Camp et al.

OTHER PUBLICATIONS

Application as filed (U.S. Appl. No. 11/241,753, filed Sep. 30, 2005),
 Final Office Action, mailed Dec. 14, 2009; Notice of Abandonment
 mailed Jun. 24, 2010, 44 pgs.
 Official Action for C.A. Serial No. 2,753,768, dated Feb. 14, 2013, 3
 pgs.
 Official Action for U.S. Appl. No. 13/367,875, dated May 9, 2013, 9
 pgs.
 Official Action for U.S. Appl. No. 13/009,449, dated Feb. 4, 2013, 10
 pgs.
 Official Action of U.S. Appl. No. 13/009,449, dated Aug. 1, 2012, 13
 pgs.
 Official Action for U.S. Appl. No. 13/901,130, dated Sep. 13, 2013,
 10 pgs.

* cited by examiner

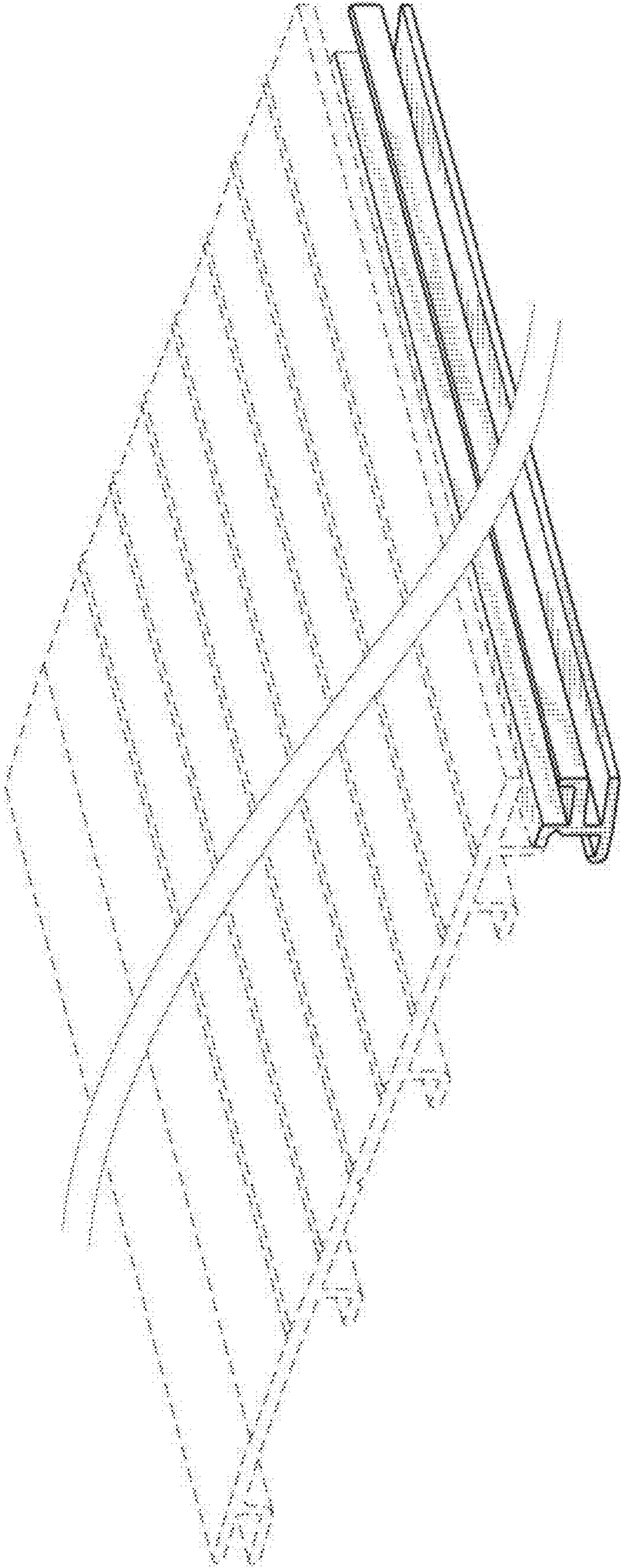


FIG. 1

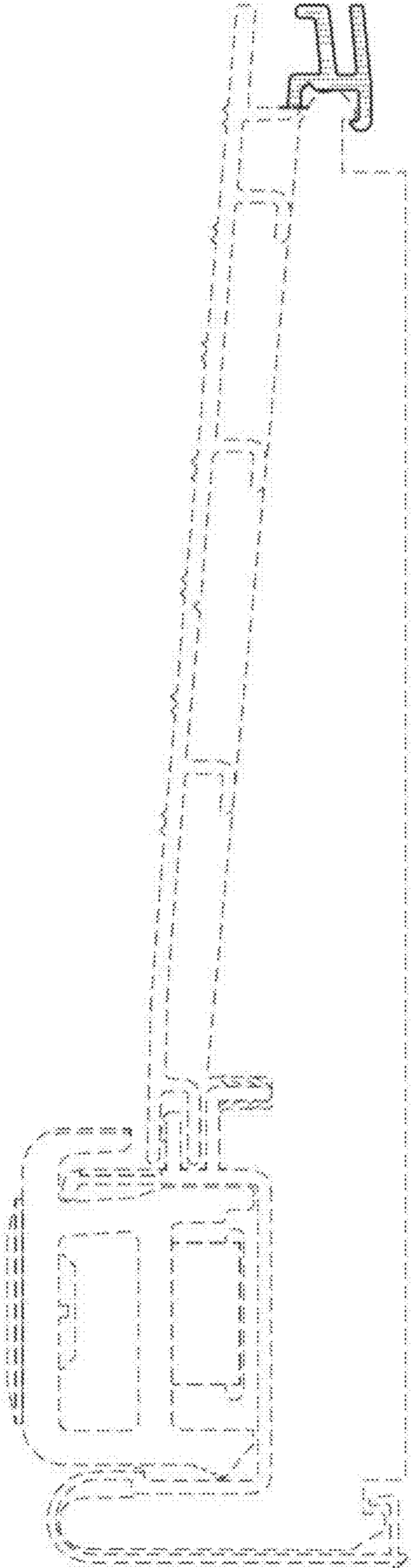


FIG. 2

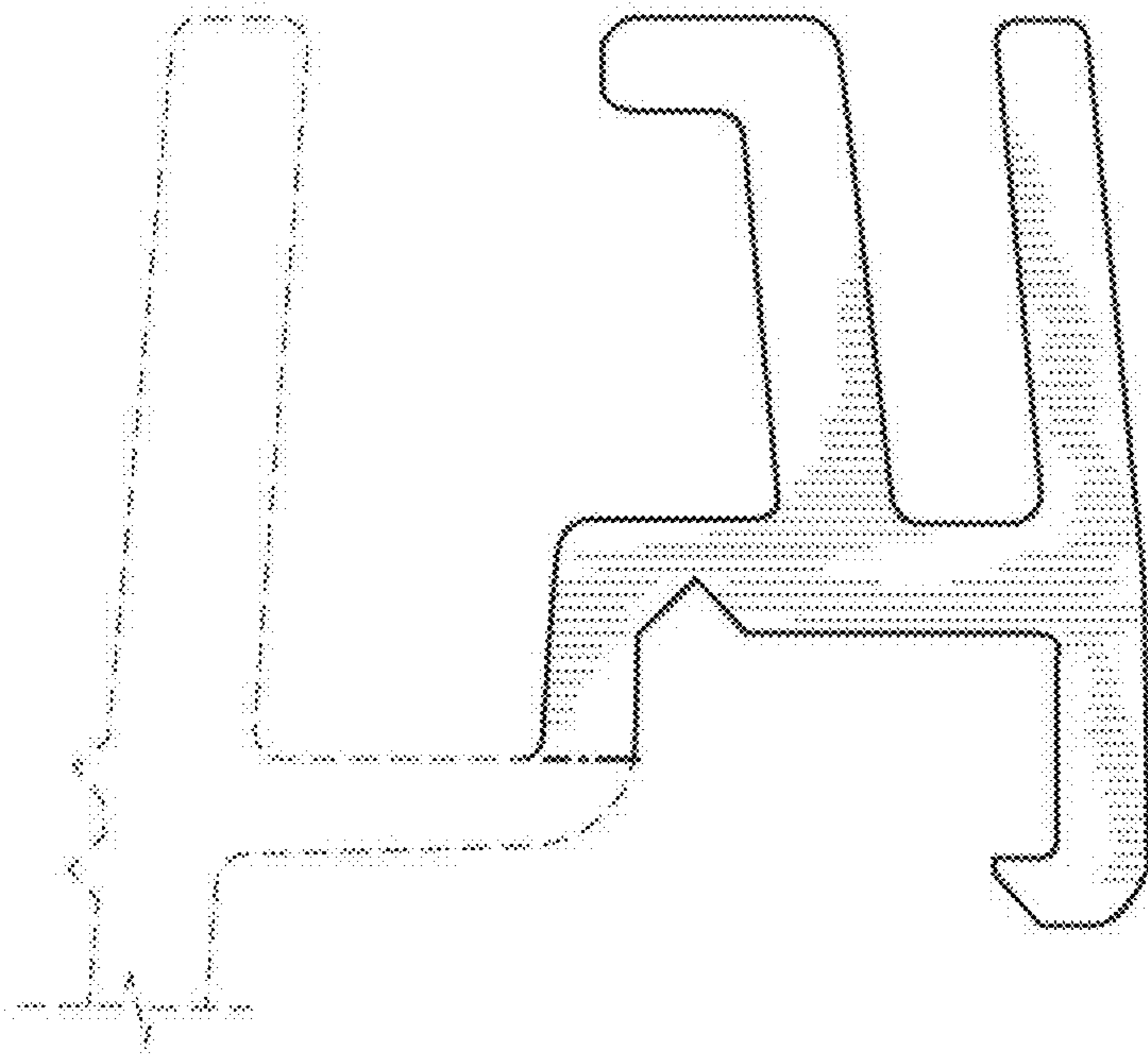


FIG. 3