



US00D733926S

(12) **United States Design Patent**
Van Camp et al.

(10) **Patent No.:** **US D733,926 S**
(45) **Date of Patent:** **** Jul. 7, 2015**

- (54) **THRESHOLD DECK CLIP**
- (71) Applicant: **Endura Products, Inc.**, Colfax, NC (US)
- (72) Inventors: **Brent Van Camp**, Kernersville, NC (US); **Andrew Krochmal**, Greensboro, NC (US)
- (73) Assignee: **Edura Products, Inc.**, Colfax, NC (US)
- (**) Term: **14 Years**
- (21) Appl. No.: **29/465,220**
- (22) Filed: **Aug. 26, 2013**

3,774,343 A	11/1973	Cribben et al.
3,962,828 A	6/1976	McAllister
4,055,917 A	11/1977	Coller
4,079,550 A	3/1978	Bursk et al.
4,156,325 A	5/1979	McMullen et al.
4,222,200 A	9/1980	Beirnes
4,237,664 A	12/1980	Wilmes
4,287,684 A	9/1981	McKann
4,310,991 A	1/1982	Seely
4,352,258 A	10/1982	Bursk et al.
4,399,636 A	8/1983	Blackwell
4,411,104 A	10/1983	Aubin
4,447,987 A	5/1984	Lesosky
4,473,981 A	10/1984	Simpson

(Continued)

OTHER PUBLICATIONS

Application as filed (U.S. Appl. No. 10/683,312, filed Oct. 10, 2003); Final Office Action, mailed Jan. 11, 2008; Notice of Abandonment, mailed Jul. 25, 2008, 30 pgs.

(Continued)

Primary Examiner — Doris Clark

(74) *Attorney, Agent, or Firm* — Womble Carlyle Sandridge & Rice, LLP

Related U.S. Application Data

- (63) Continuation-in-part of application No. 13/367,875, filed on Feb. 7, 2012, now Pat. No. 8,567,128, which is a continuation-in-part of application No. 13/009,449, filed on Jan. 19, 2011, now Pat. No. 8,490,332, which is a continuation-in-part of application No. 29/376,419, filed on Oct. 6, 2010, now abandoned.
- (51) **LOC (10) Cl.** **25-02**
- (52) **U.S. Cl.**
USPC **D25/48.2**
- (58) **Field of Classification Search**
USPC D25/48.2; 49/467, 472, 475.1, 492.1, 49/496.1
See application file for complete search history.

(57) **CLAIM**

The ornamental design for a threshold deck clip, as shown and described.

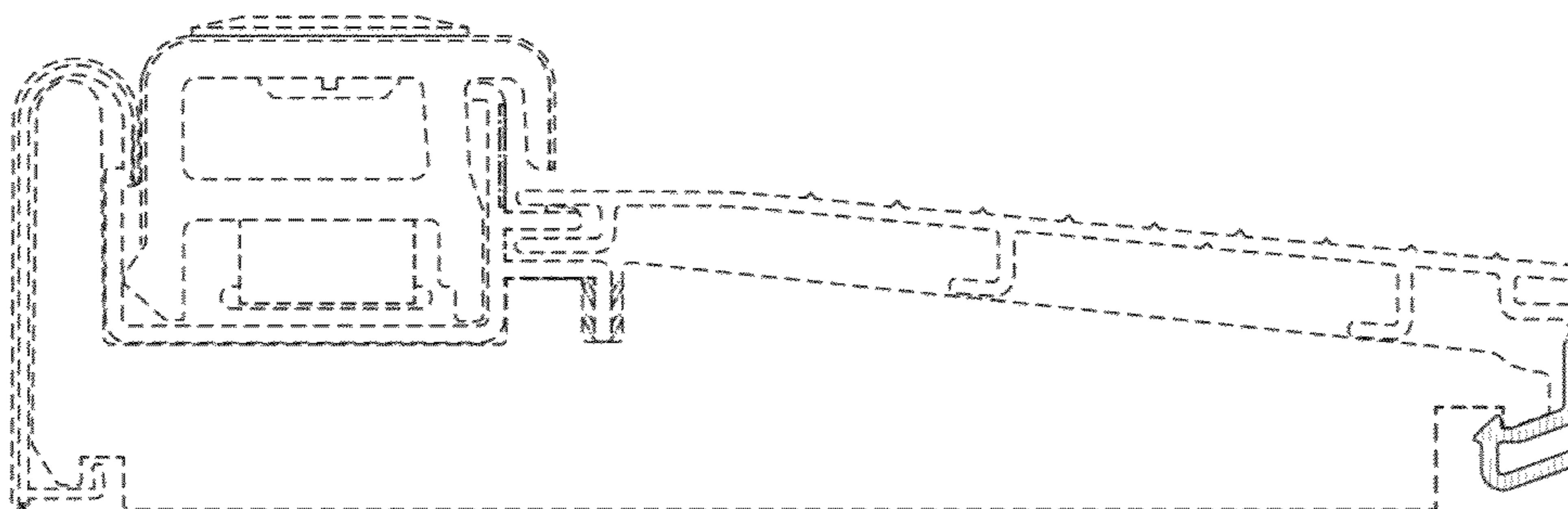
DESCRIPTION

FIG. 1 is a side view of our new design with environmental elements; and,
FIG. 2 is a detailed side view of our new design.
The views of the threshold deck clip not shown form no part of the claimed design. The dash-dot lines in the Figures immediately adjacent to the shaded area represent unclaimed boundaries of the design. The dash-dash lines elsewhere in the Figures refer to environmental elements only and form no part of the claimed design.

1 Claim, 2 Drawing Sheets

(56) **References Cited**
U.S. PATENT DOCUMENTS

1,910,260 A	5/1933	Reher
2,089,380 A	8/1937	Kammerer
2,848,766 A	8/1958	Fulton
3,032,837 A	5/1962	Ramsey
3,032,839 A	5/1962	Miller
3,402,512 A	9/1968	Peterson
3,521,404 A	7/1970	Hager et al.



(56)

References Cited

U.S. PATENT DOCUMENTS

4,513,536 A 4/1985 Giguere
 4,578,905 A 4/1986 Hout
 4,831,779 A 5/1989 Kehrl et al.
 4,945,680 A 8/1990 Giguere
 4,956,952 A 9/1990 Bancroft
 5,012,614 A 5/1991 Shea
 5,230,181 A 7/1993 Geoffrey et al.
 5,283,977 A 2/1994 Smith
 D354,572 S * 1/1995 Headrick D25/48.2
 5,426,894 A 6/1995 Headrick
 5,517,788 A 5/1996 McGough et al.
 5,524,391 A 6/1996 Joffe et al.
 5,588,266 A 12/1996 Headrick
 5,611,173 A 3/1997 Headrick et al.
 5,638,641 A 6/1997 Joffe et al.
 5,673,517 A 10/1997 Stanlift
 5,943,825 A 8/1999 Procton et al.
 6,006,375 A 12/1999 Carr
 6,044,600 A 4/2000 McCollough
 6,052,949 A 4/2000 Procton et al.
 6,138,413 A 10/2000 Fehr
 6,185,870 B1 2/2001 Mettler
 6,216,395 B1 4/2001 Kelly
 6,269,591 B1 8/2001 Kelly
 6,289,635 B1 9/2001 Procton et al.
 6,367,201 B1 4/2002 Massey et al.
 6,371,188 B1 4/2002 Baczuk et al.
 6,484,446 B2 11/2002 Young
 6,625,941 B2 9/2003 Shaw
 6,763,639 B2 7/2004 Bennett et al.
 6,789,358 B2 9/2004 Procton et al.
 6,829,864 B2 12/2004 Mitchell et al.
 7,111,433 B2 9/2006 Kerscher
 7,263,808 B2 9/2007 Massey et al.
 7,266,929 B1 9/2007 Allred et al.
 7,350,336 B2 4/2008 Bennett
 7,389,611 B2 6/2008 Palenske
 7,472,516 B2 1/2009 Pepper et al.

7,536,833 B2 5/2009 Baczuk et al.
 7,600,346 B2 10/2009 Meeks
 7,694,471 B2 4/2010 Meeks et al.
 7,775,011 B2 8/2010 Baczuk et al.
 7,788,883 B2 9/2010 Pepper et al.
 8,061,086 B2 11/2011 Haun
 2002/0129557 A1 9/2002 Young
 2002/0194787 A1 12/2002 Bennett
 2003/0126826 A1 7/2003 Marshall et al.
 2004/0128925 A1 7/2004 Massey
 2004/0139667 A1 7/2004 Massey et al.
 2004/0200152 A1 10/2004 Khanlarian
 2004/0200153 A1 10/2004 Khanlarian
 2005/0210754 A1 9/2005 Ferrell
 2006/0053695 A1 3/2006 Palenske
 2006/0096190 A1 5/2006 Baczuk et al.
 2006/0112644 A1 6/2006 Pepper et al.
 2006/0174545 A1 8/2006 Young
 2006/0225364 A1 10/2006 Chen
 2008/0120914 A1 5/2008 Fink et al.
 2008/0172957 A1 7/2008 Kerscher
 2008/0229669 A1 9/2008 Abdollahzadeh et al.
 2012/0047808 A1 3/2012 Davidson

OTHER PUBLICATIONS

Application as filed (U.S. Appl. No. 11/241,753, filed Sep. 30, 2005),
 Final Office Action, mailed Dec. 14, 2009; Notice of Abandonment
 mailed Jun. 24, 2010, 44 pgs.
 Official Action of U.S. Appl. No. 13/009,449, dated Aug. 1, 2012, 13
 pgs.
 Official Action for U.S. Appl. No. 13/367,875, dated May 9, 2013, 9
 pgs.
 Official Action for U.S. Appl. No. 13/009,449, dated Feb. 4, 2013, 10
 pgs.
 Official Action for C.A. Serial No. 2,753,768, dated Feb. 14, 2013, 3
 pgs.

* cited by examiner

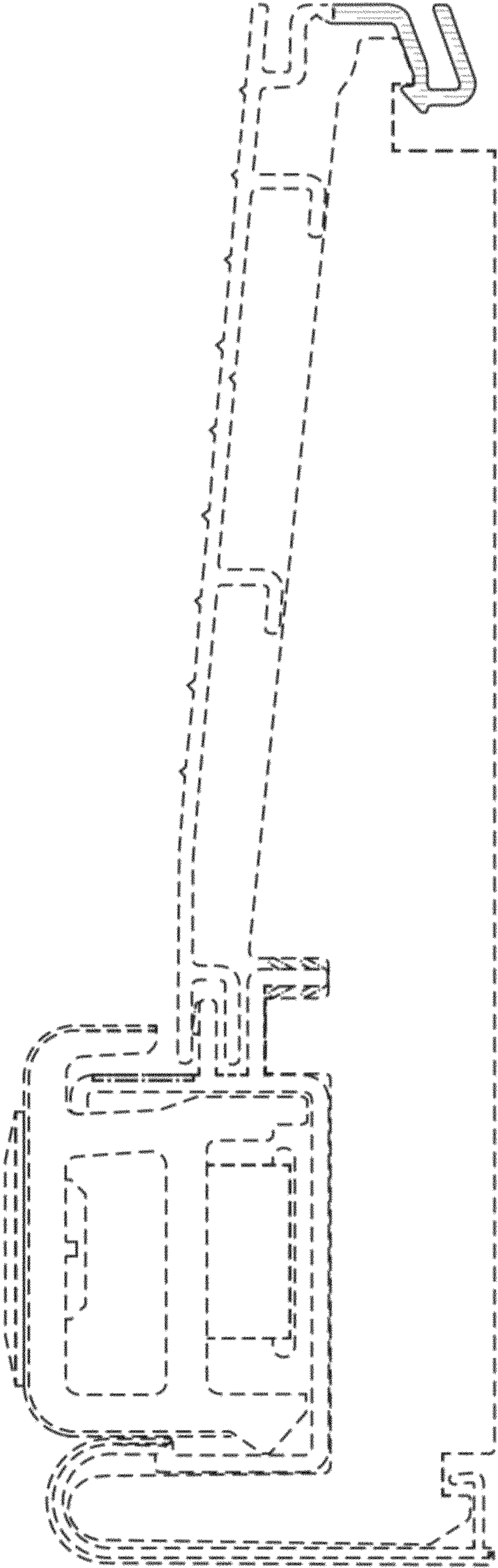


FIG. 1

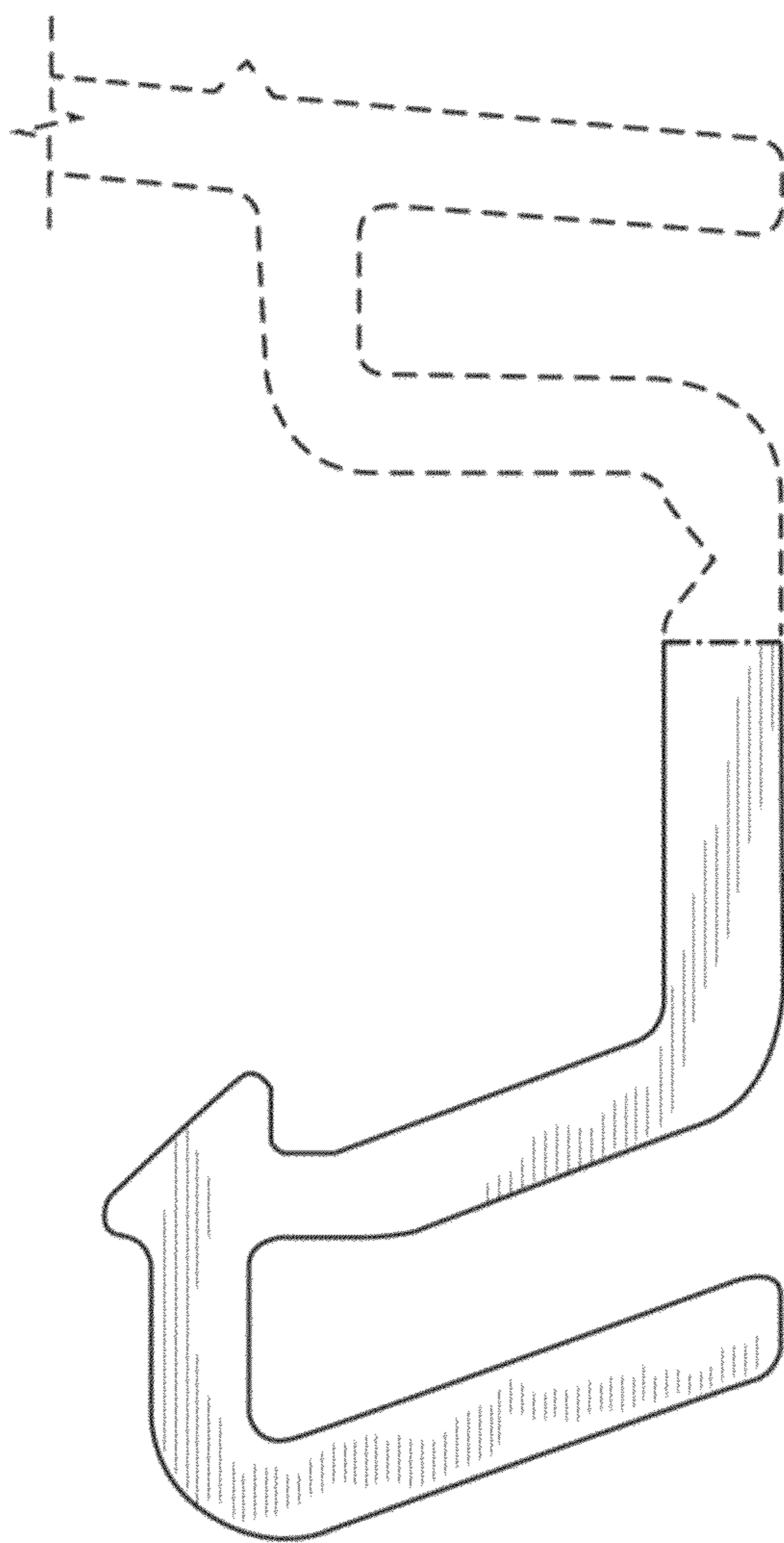


FIG. 2

UNITED STATES PATENT AND TRADEMARK OFFICE
CERTIFICATE OF CORRECTION

PATENT NO. : D733,926 S
APPLICATION NO. : 29/465220
DATED : July 7, 2015
INVENTOR(S) : Brent Van Camp and Andrew Krochmal

Page 1 of 1

It is certified that error appears in the above-identified patent and that said Letters Patent is hereby corrected as shown below:

Title Page

The Assignee should be listed as “Endura Products, Inc., Colfax, NC (US).”

Signed and Sealed this
Third Day of May, 2016



Michelle K. Lee
Director of the United States Patent and Trademark Office