



US00D733920S

(12) **United States Design Patent**
Oliviusson et al.

(10) **Patent No.:** **US D733,920 S**
(45) **Date of Patent:** **** Jul. 7, 2015**

(54) **ELECTROPHORESIS BUFFER PAD HOLDER**

(56) **References Cited**

(71) Applicant: **GE HEALTHCARE BIO-SCIENCES AB**, Uppsala (SE)

U.S. PATENT DOCUMENTS

(72) Inventors: **Peter Mats Oliviusson**, Uppsala (SE);
Tomas Haukkala, Uppsala (SE); **Kjell Larsson**, Uppsala (SE); **Peter Jacobsson**, Vasteras (SE)

D303,012	S	*	8/1989	Flesher et al.	D24/233
5,106,477	A	*	4/1992	Coleman	204/616
5,626,735	A	*	5/1997	Chu	204/616
5,989,400	A	*	11/1999	Islam	204/466
D435,665	S	*	12/2000	Ogle	D24/233
6,689,267	B2	*	2/2004	Audeh	204/616

* cited by examiner

(73) Assignee: **GE Healthcare Bio-Sciences AB**, Uppsala (SE)

Primary Examiner — Wan Laymon

(**) Term: **14 Years**

(74) *Attorney, Agent, or Firm* — Sutherland Asbill & Brennan LLP

(21) Appl. No.: **29/490,765**

(57) **CLAIM**

The ornamental design for an electrophoresis buffer pad holder, as shown and described.

(22) Filed: **May 13, 2014**

DESCRIPTION

(30) **Foreign Application Priority Data**

Nov. 26, 2013 (EM) 002351973-0001

(51) **LOC (10) Cl.** **24-01**

(52) **U.S. Cl.**
USPC **D24/233**

(58) **Field of Classification Search**
USPC D24/233, 216, 224, 231–232, 127–128;
204/600, 602, 615–616, 619–620, 456,
204/465, 466

FIG. 1 is a front perspective view of an electrophoresis buffer pad holder according to the design.

FIG. 2 is a front view thereof.

FIG. 3 is a bottom view thereof.

FIG. 4 is a top view thereof.

FIG. 5 is a back view thereof.

FIG. 6 is a right side view thereof.

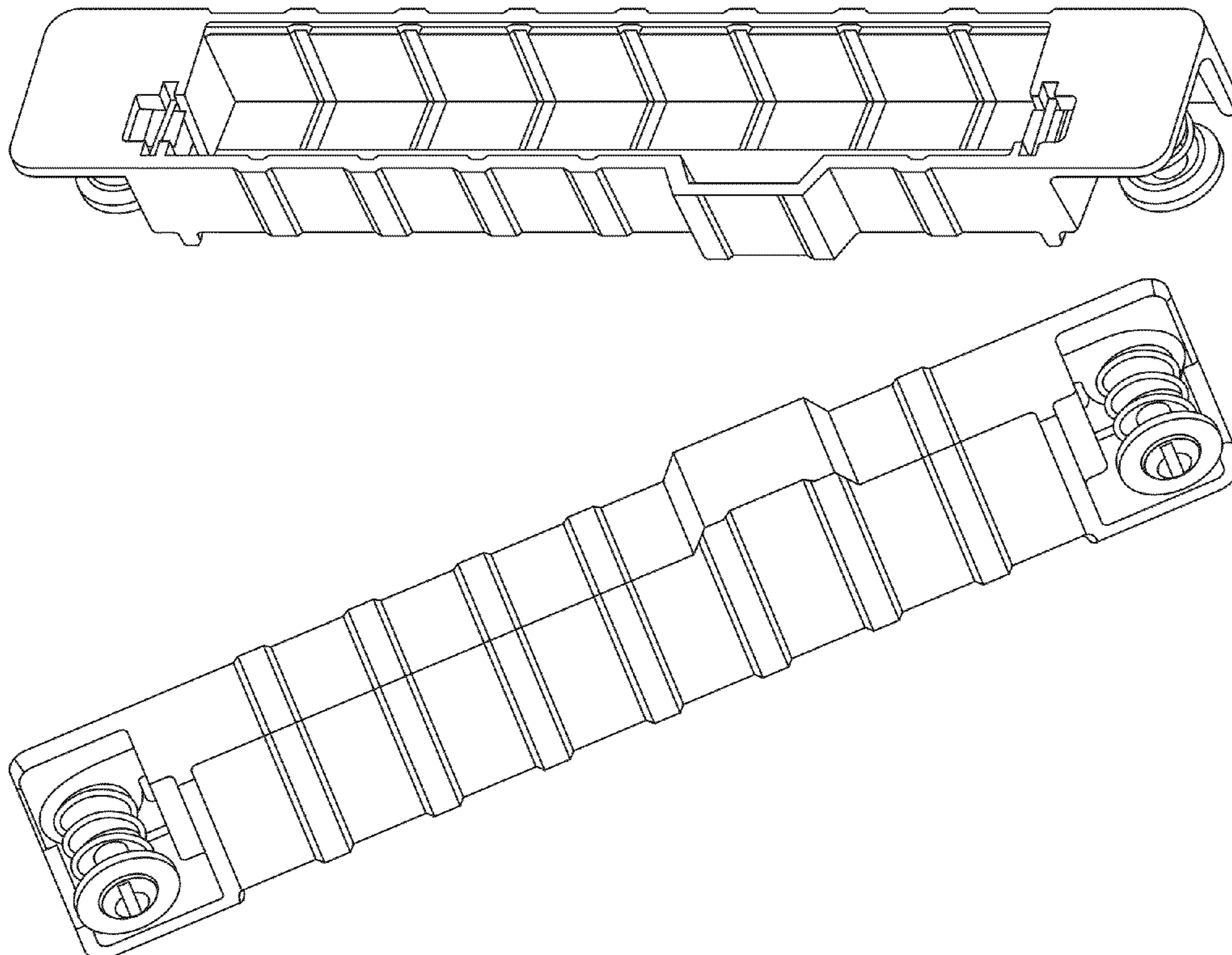
FIG. 7 is a left side view thereof.

FIG. 8 is a back perspective view thereof; and,

FIG. 9 is a top perspective view thereof.

See application file for complete search history.

1 Claim, 9 Drawing Sheets



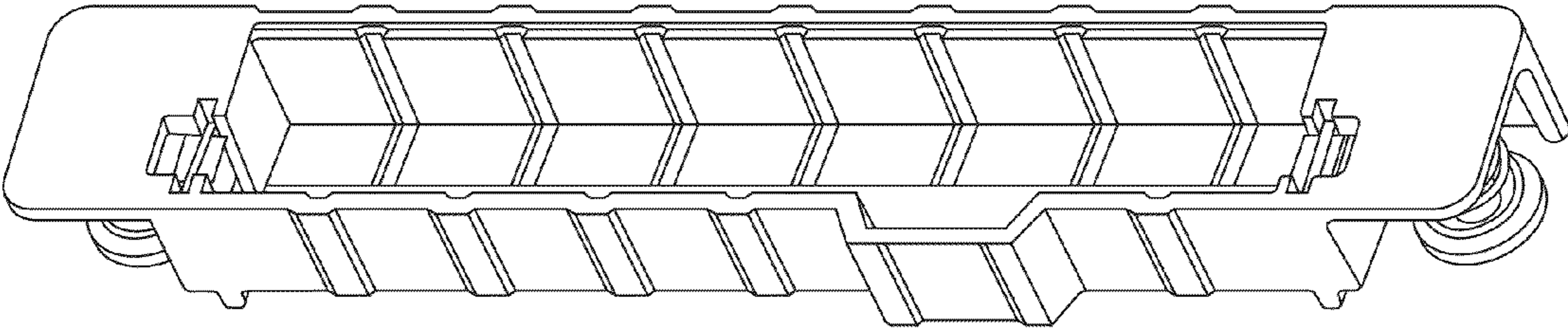


FIG. 1

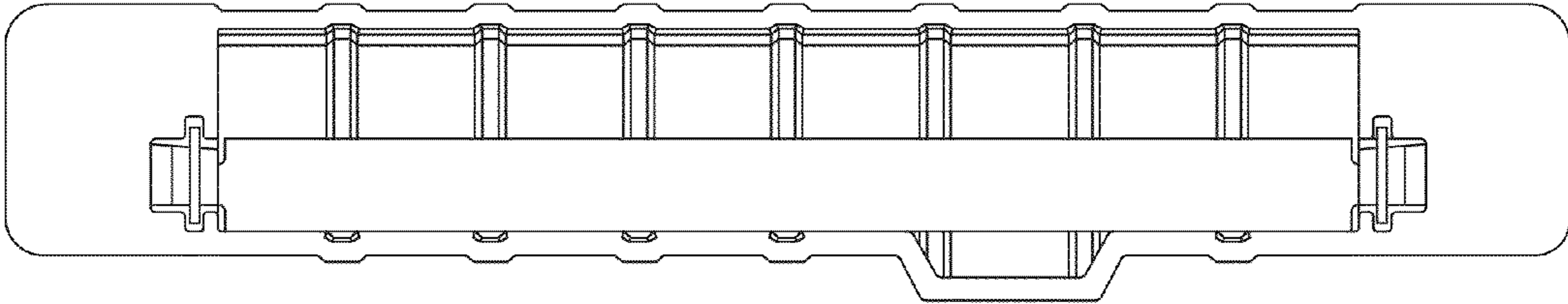


FIG. 2

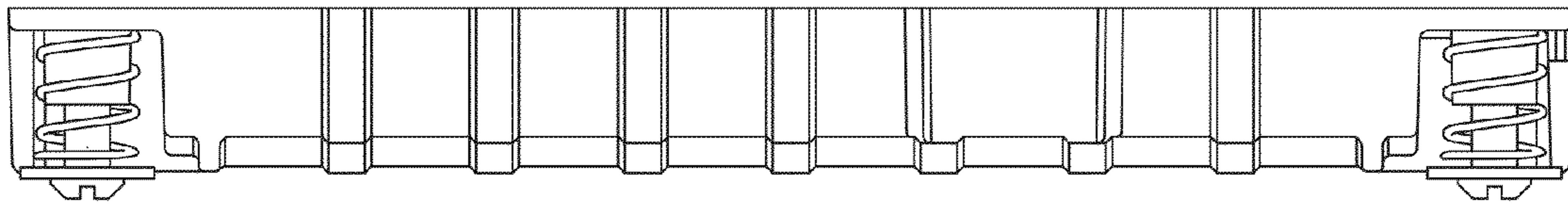


FIG. 3

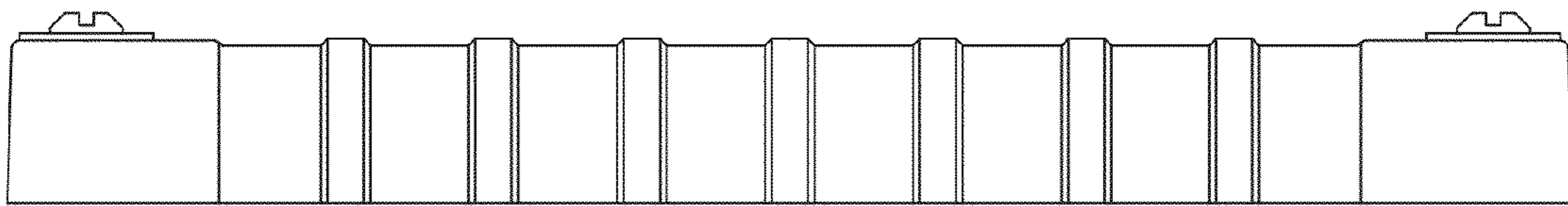


FIG. 4

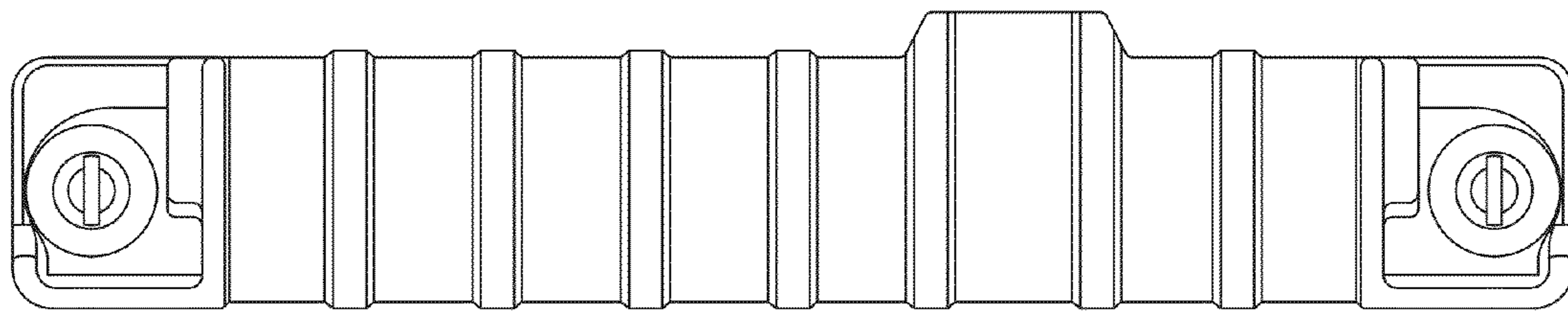


FIG. 5

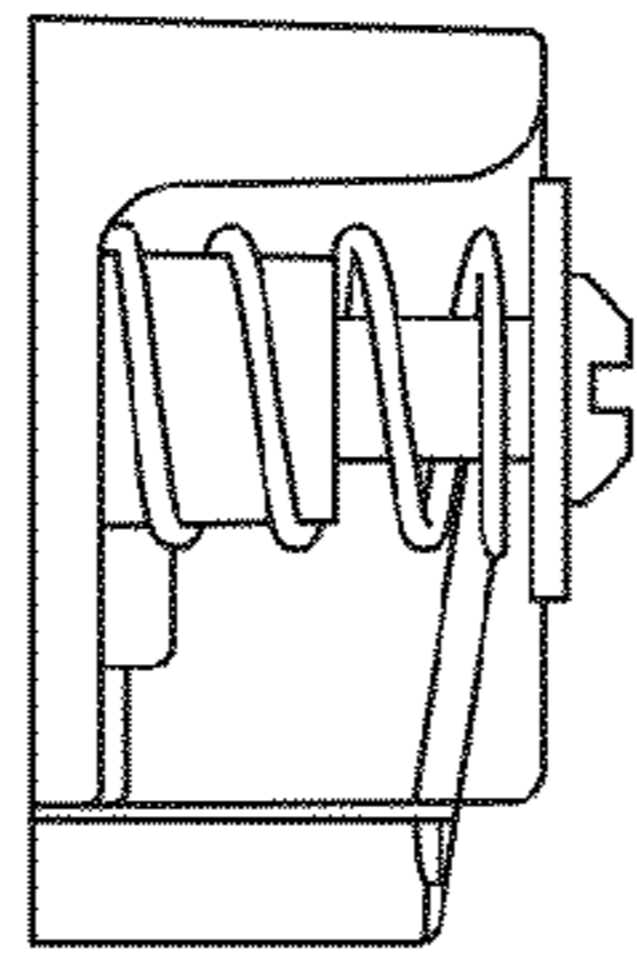


FIG. 6

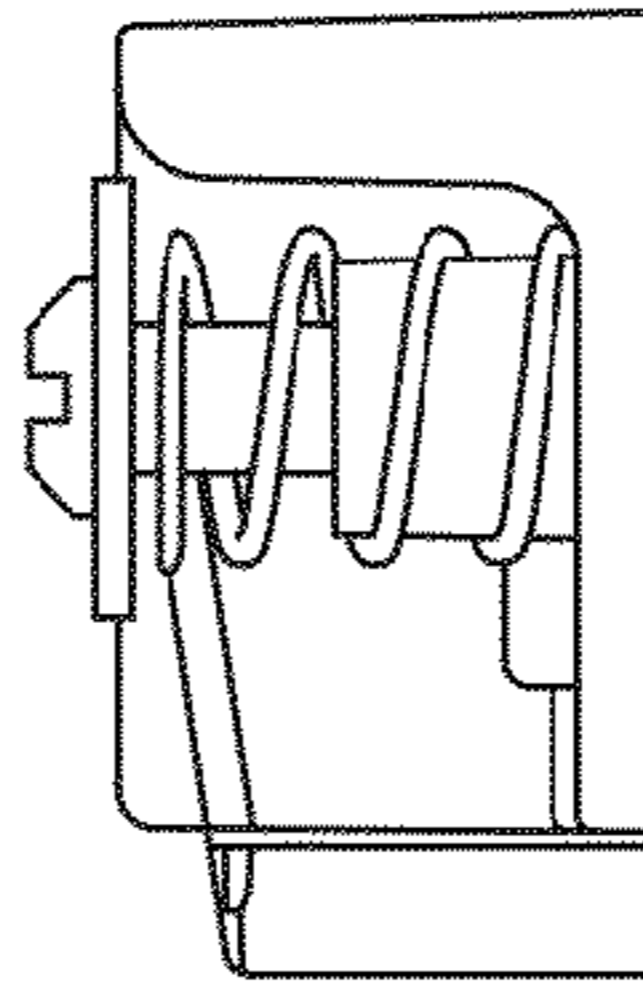


FIG. 7

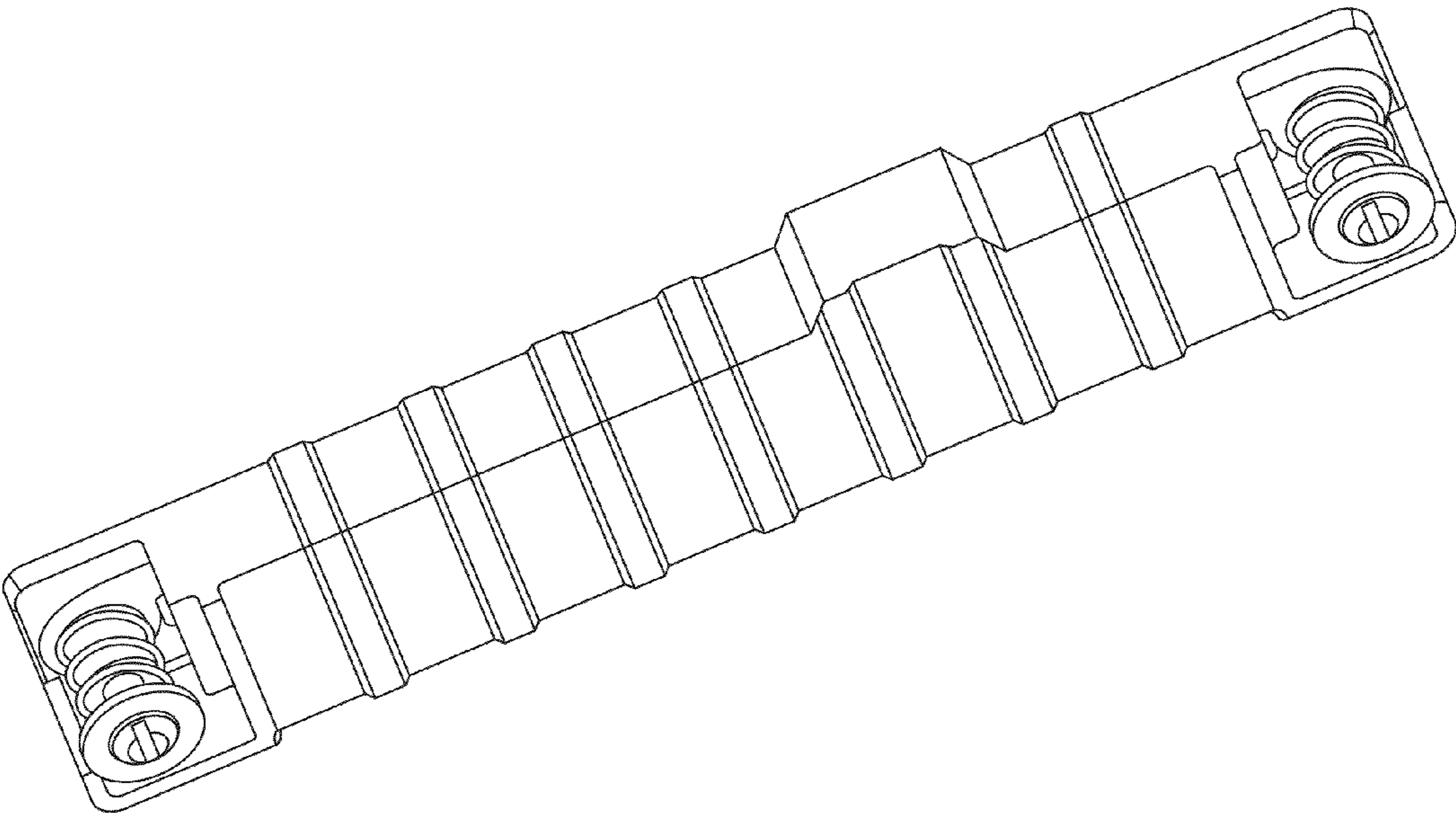


FIG. 8

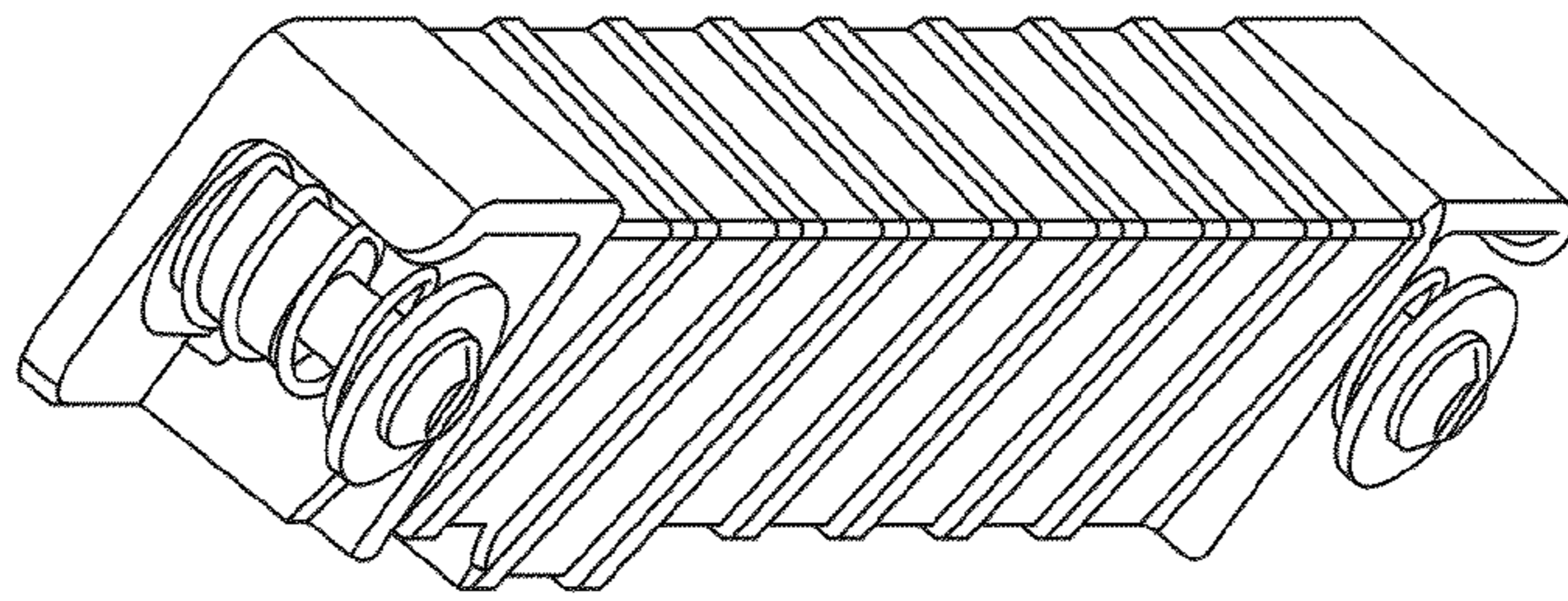


FIG. 9